

US00D401168S

United States Patent [19]

Wallberg

[11] Patent Number: Des. 401,168

[45] Date of Patent: **Nov. 17, 1998

[54] COMBINED THUMB AND PLATE COMPASS

[75] Inventor: Kurt-Ake Wallberg, Vallentuna, Sweden

[73] Assignee: Silva Products AB, Sollentuna, Sweden

[**] Term: 14 Years

[21] Appl. No.: 74,244

[22] Filed: Jul. 30, 1997

[30] Foreign Application Priority Data

Jan. 30, 1997 [SE] Sweden 97 0220

[51] LOC (6) Cl. 10-04

[52] U.S. Cl. D10/68

[58] Field of Search D10/61, 68, 62;
33/355 R-364, 268, 273, 272, 271

[56] References Cited

U.S. PATENT DOCUMENTS

D. 150,298 7/1948 Johanson et al. D10/45

D. 349,066	7/1994	Su	D10/68
D. 369,982	5/1996	Chang	D10/68
3,373,429	3/1968	Anderson	33/274 X
4,899,453	2/1990	Bhat et al.	33/272 X
4,920,656	5/1990	Cross	33/355 R
5,146,687	9/1992	Kjellstrom	33/355 R

Primary Examiner—Antoine Duval Davis
Attorney, Agent, or Firm—Hodgson, Russ, Andrews, Woods & Goodyear LLP

[57] CLAIM

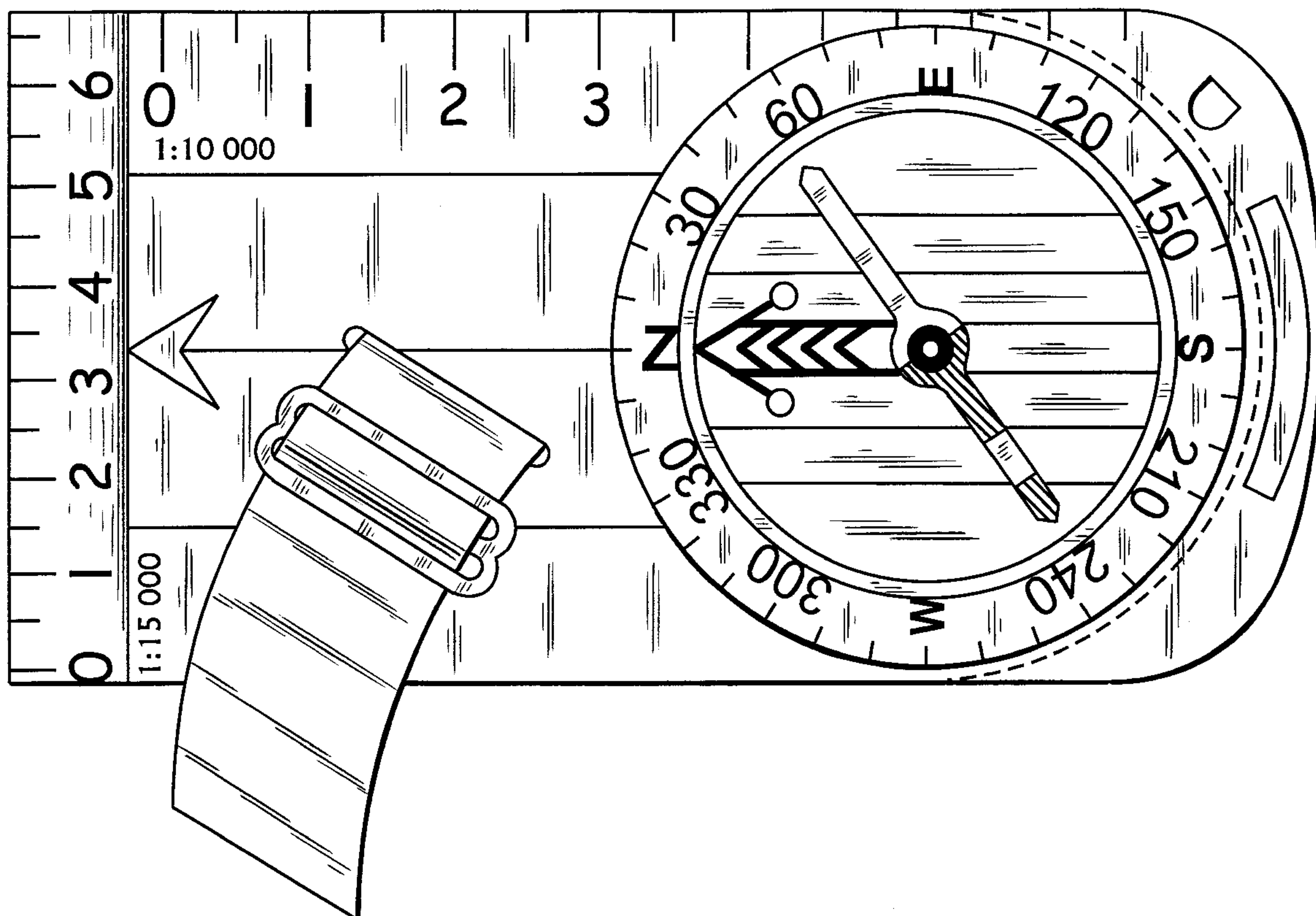
The ornamental design for a combined thumb and plate compass, as shown.

DESCRIPTION

FIG. 1 is a side elevational view; and, FIG. 2 is a top plan view.

The bottom of the combined thumb and plate compass is flat and devoid of surface ornamentation.

1 Claim, 2 Drawing Sheets



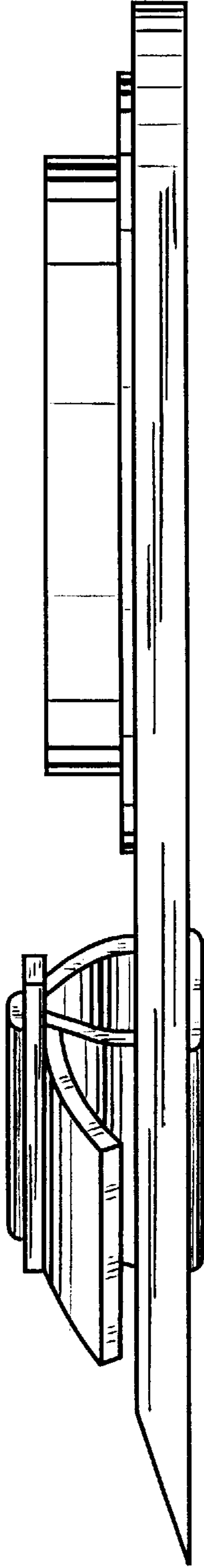


FIG. 1

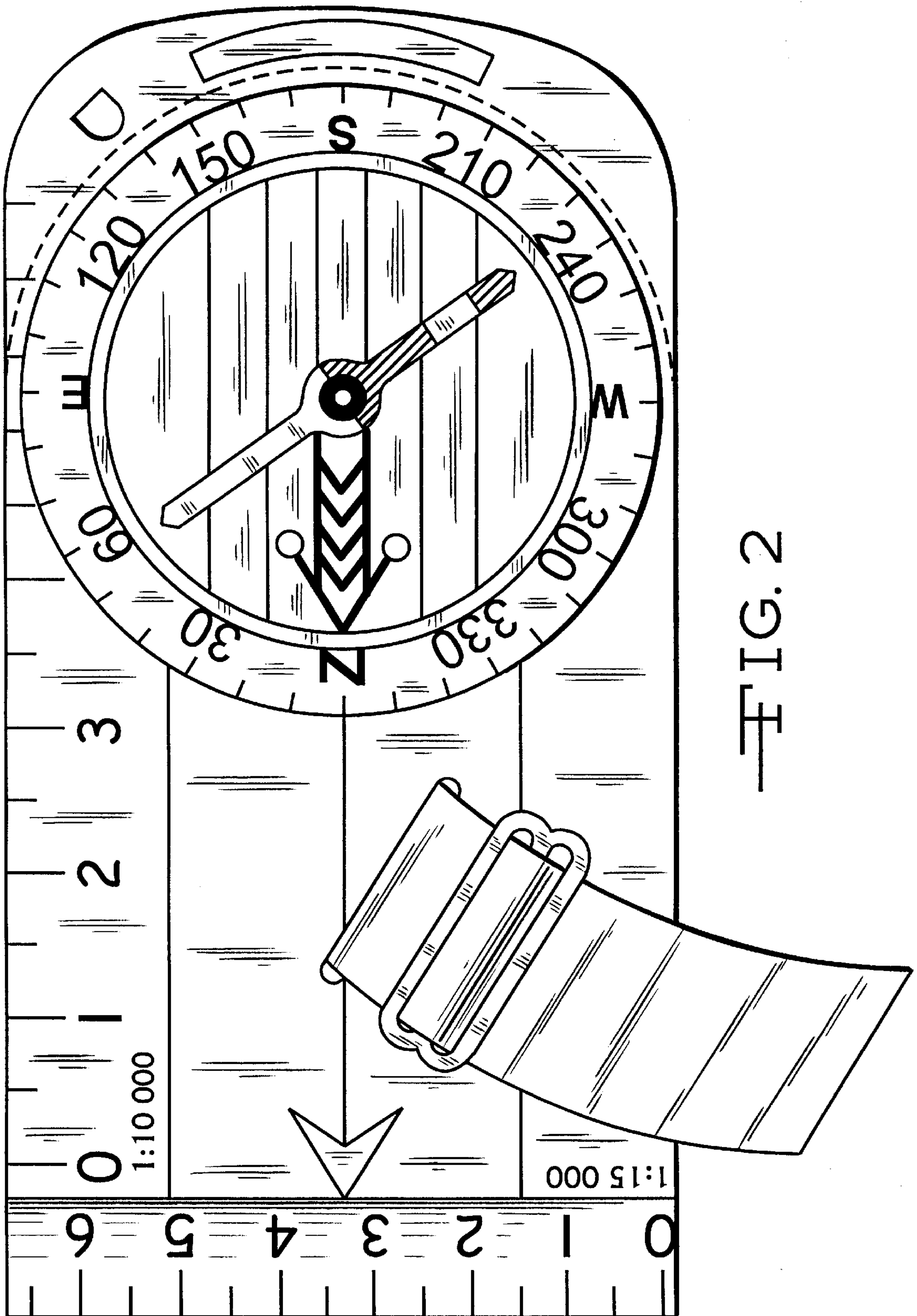


FIG. 2