



US00D401165S

United States Patent [19]
Afilani

[11] **Patent Number: Des. 401,165**

[45] **Date of Patent: **Nov. 17, 1998**

[54] **LOCATOR DEVICE**

[76] Inventor: **Thomas Afilani**, R.D. 5, Box 171,
Jersey Shore, Pa. 17740

[**] Term: **14 Years**

[21] Appl. No.: **76,464**

[22] Filed: **Sep. 11, 1997**

[51] **LOC (6) Cl.** **10-04**

[52] **U.S. Cl.** **D10/46**

[58] **Field of Search** D10/46; 324/327,
324/329; 340/572, 573

[56] **References Cited**

U.S. PATENT DOCUMENTS

D. 306,703 3/1990 Afilani D10/46

Primary Examiner—Antoine Duval Davis
Attorney, Agent, or Firm—Nixon & Vanderhye PC

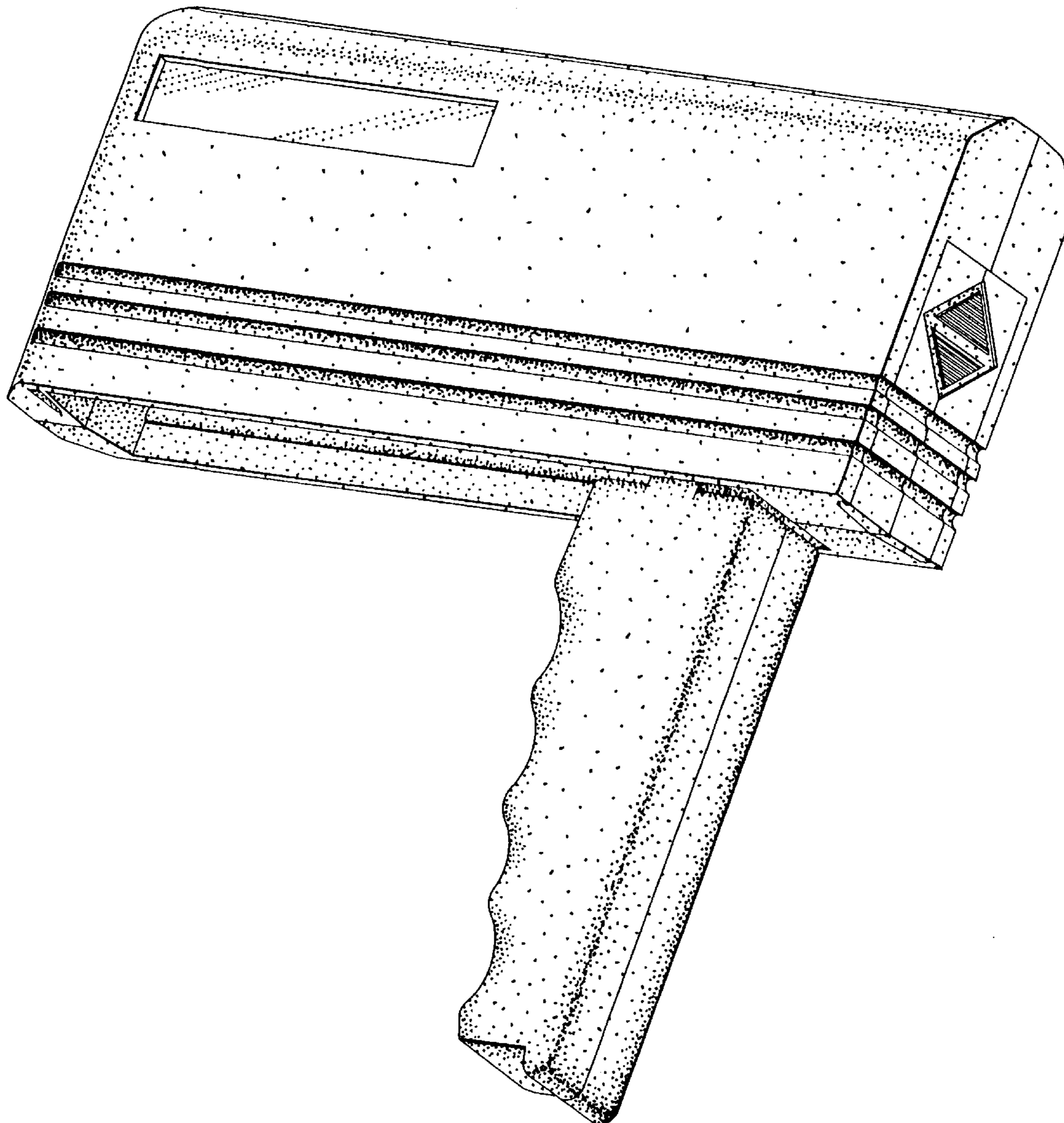
[57] **CLAIM**

The ornamental design for a locator device, as shown and described.

DESCRIPTION

FIG. 1 is a perspective view of the locator device according to the present invention;
FIG. 2 is a top view thereof;
FIG. 3 is a rear view thereof;
FIG. 4 is a bottom view thereof;
FIG. 5 is a right side view thereof;
FIG. 6 is a left side view thereof; and,
FIG. 7 is a front view thereof.

1 Claim, 5 Drawing Sheets



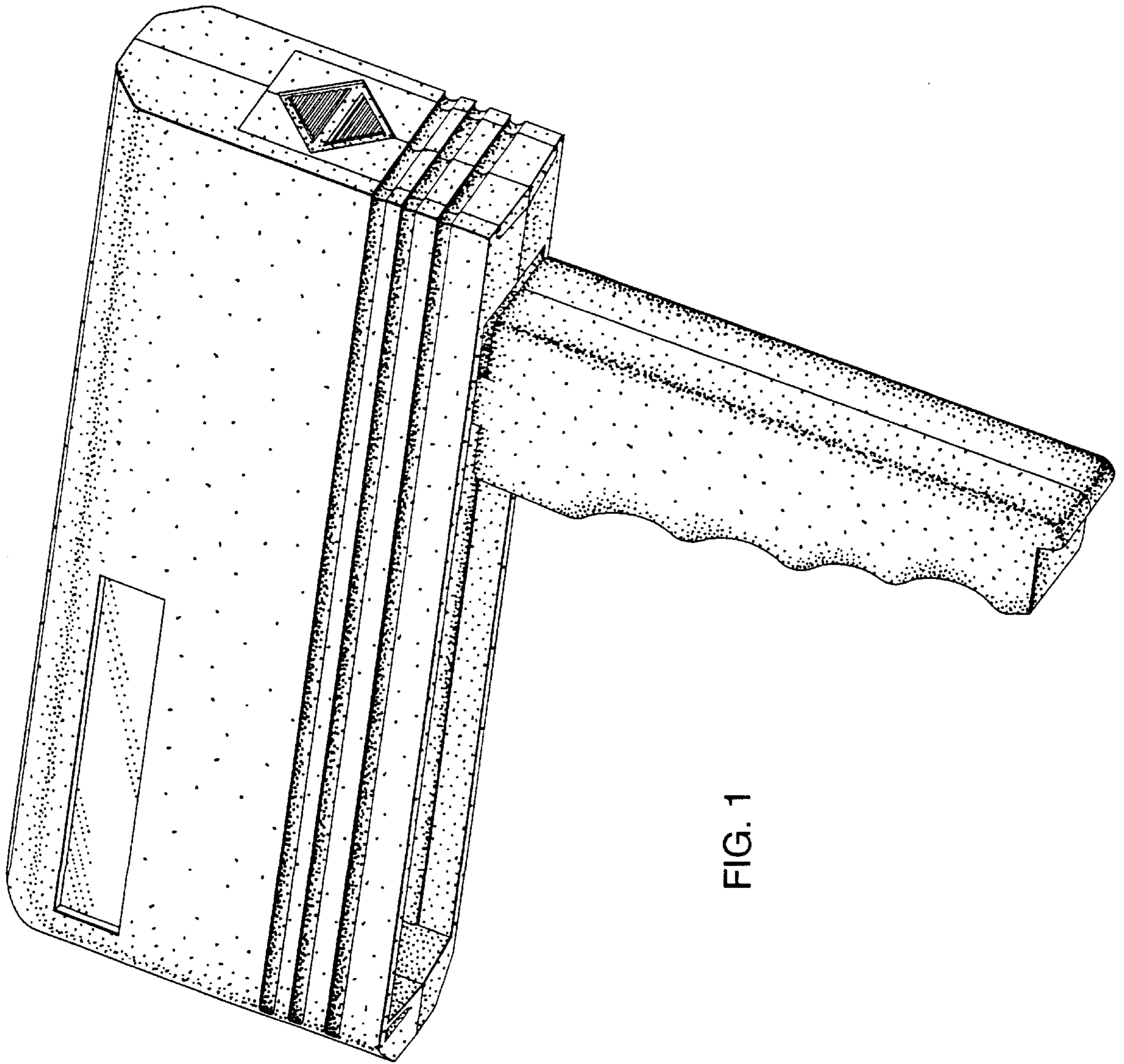


FIG. 1

FIG. 2

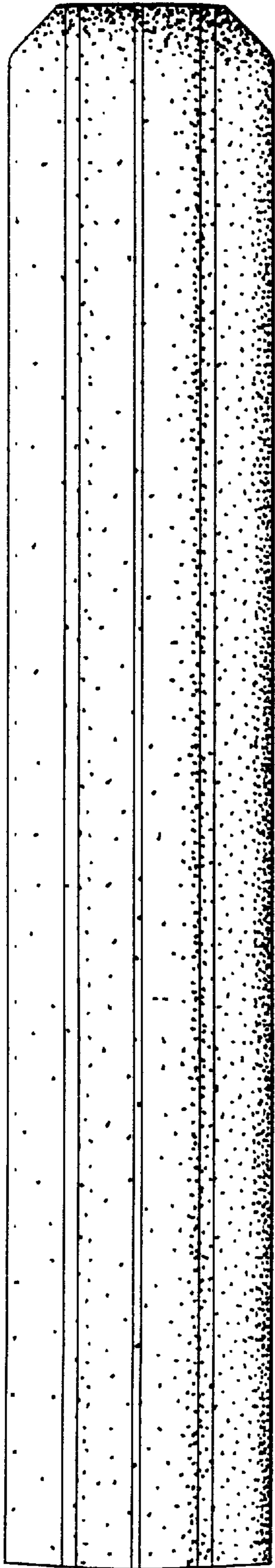
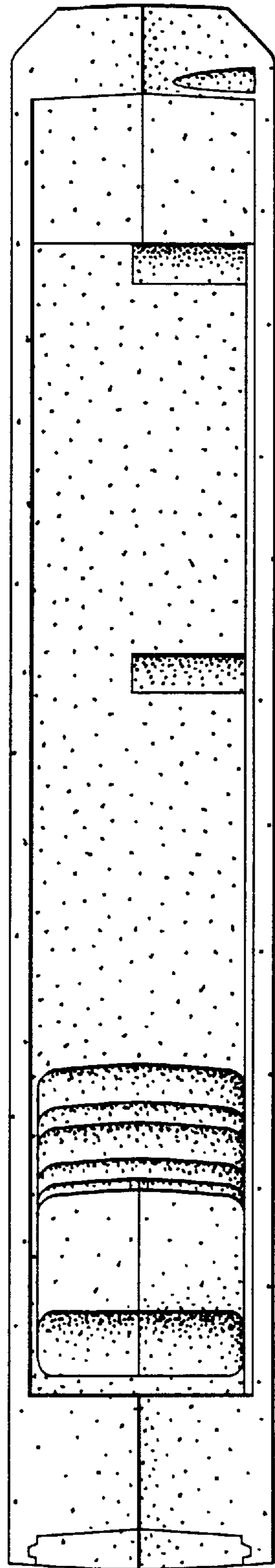


FIG. 4



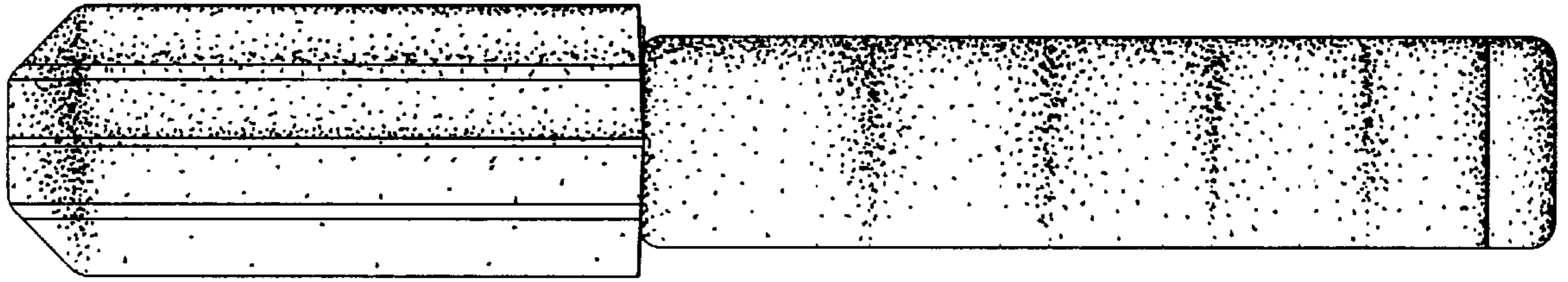


FIG. 7

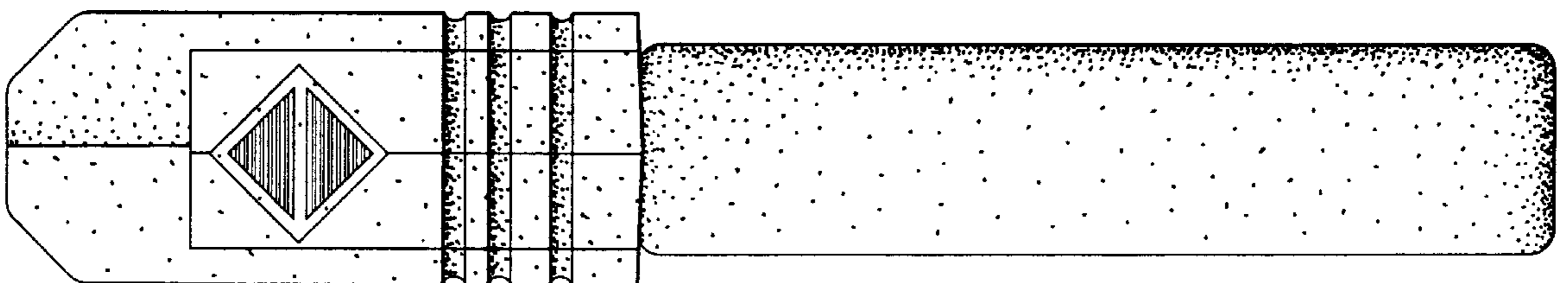


FIG. 3

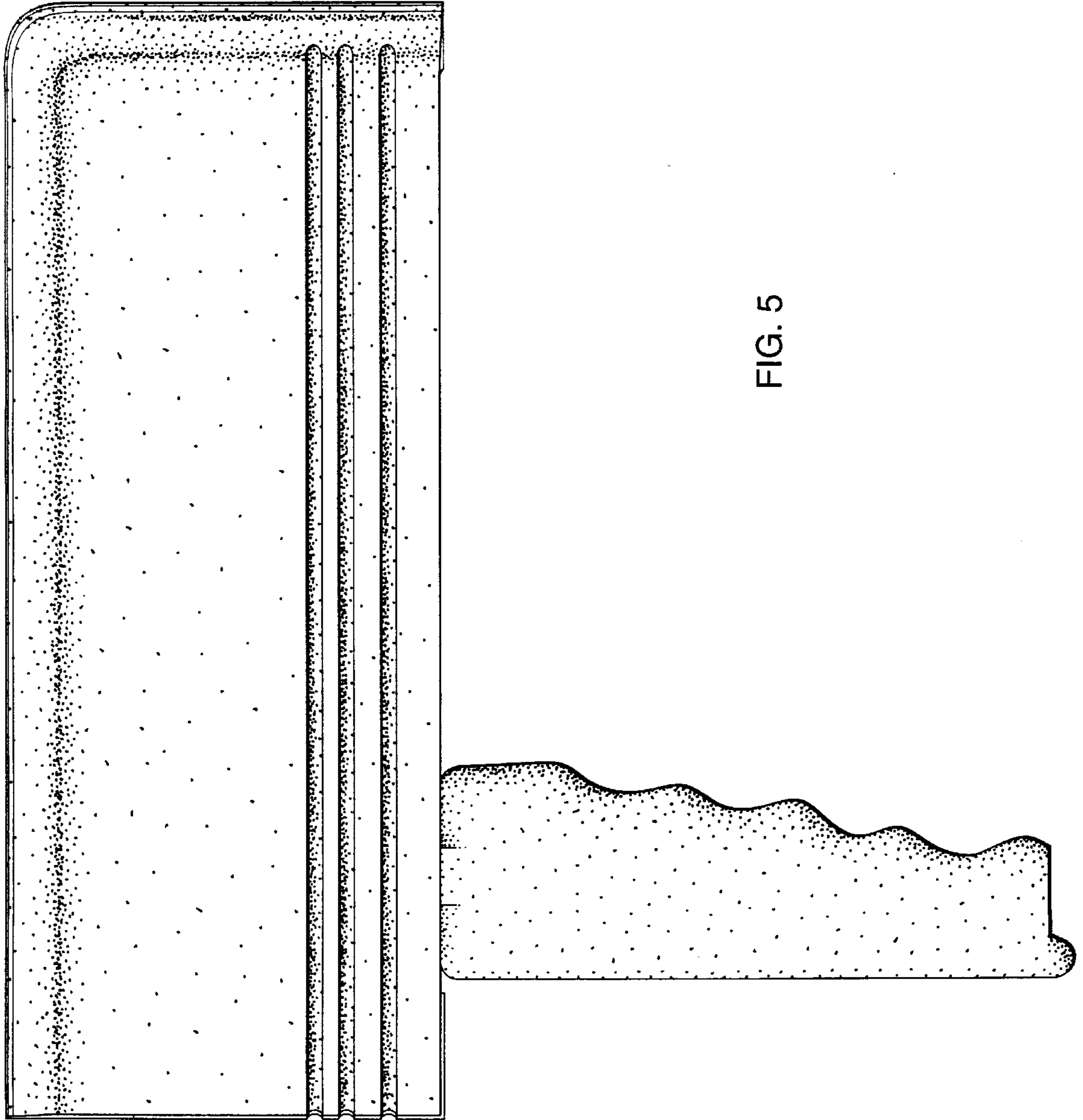


FIG. 5

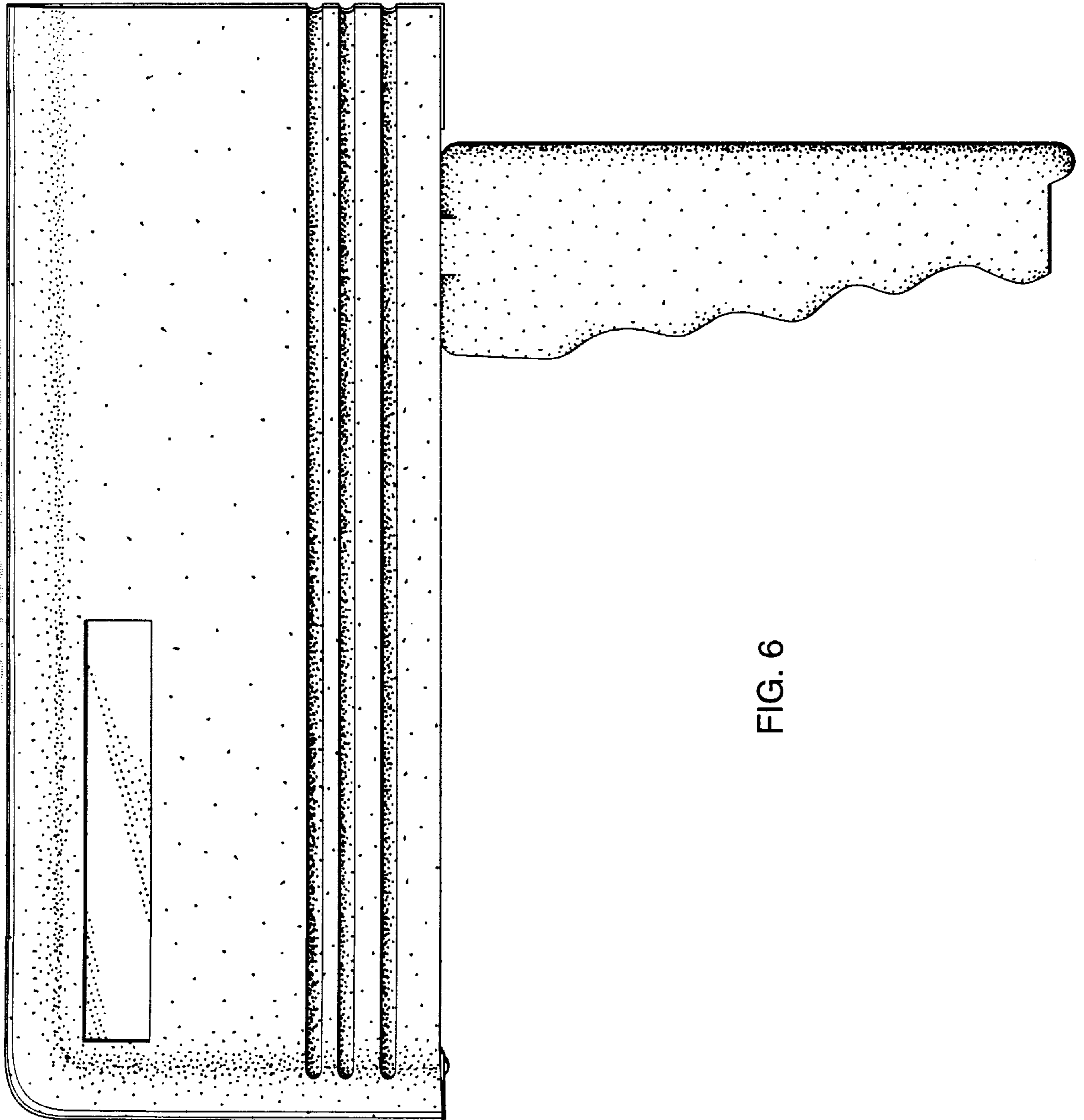


FIG. 6