



US00D401151S

United States Patent [19]

Rogge et al.

[11] Patent Number: Des. 401,151

[45] Date of Patent: **Nov. 17, 1998

[54] PERMEABLE DRINK GUARD

[76] Inventors: **Craig Francis Rogge; Leslie Ann Higman**, both of 122 Rothwell Rd., Wilmington, Del. 19805

[**] Term: **14 Years**

[21] Appl. No.: **72,135**

[22] Filed: **Jun. 9, 1997**

[51] LOC (6) Cl. **09-07**

[52] U.S. Cl. **D9/454; D9/452**

[58] Field of Search D9/434, 435, 436, D9/452, 454; 220/703-709, 711, 729, 730

[56] References Cited

U.S. PATENT DOCUMENTS

D. 277,828	3/1985	Schwartzburg	D9/454
D. 388,327	12/1997	Radosevich	D9/436
4,898,298	2/1990	Norris	220/711
4,938,375	7/1990	Fantacone	220/709

Primary Examiner—James Gandy
Assistant Examiner—Cathron B. Matta

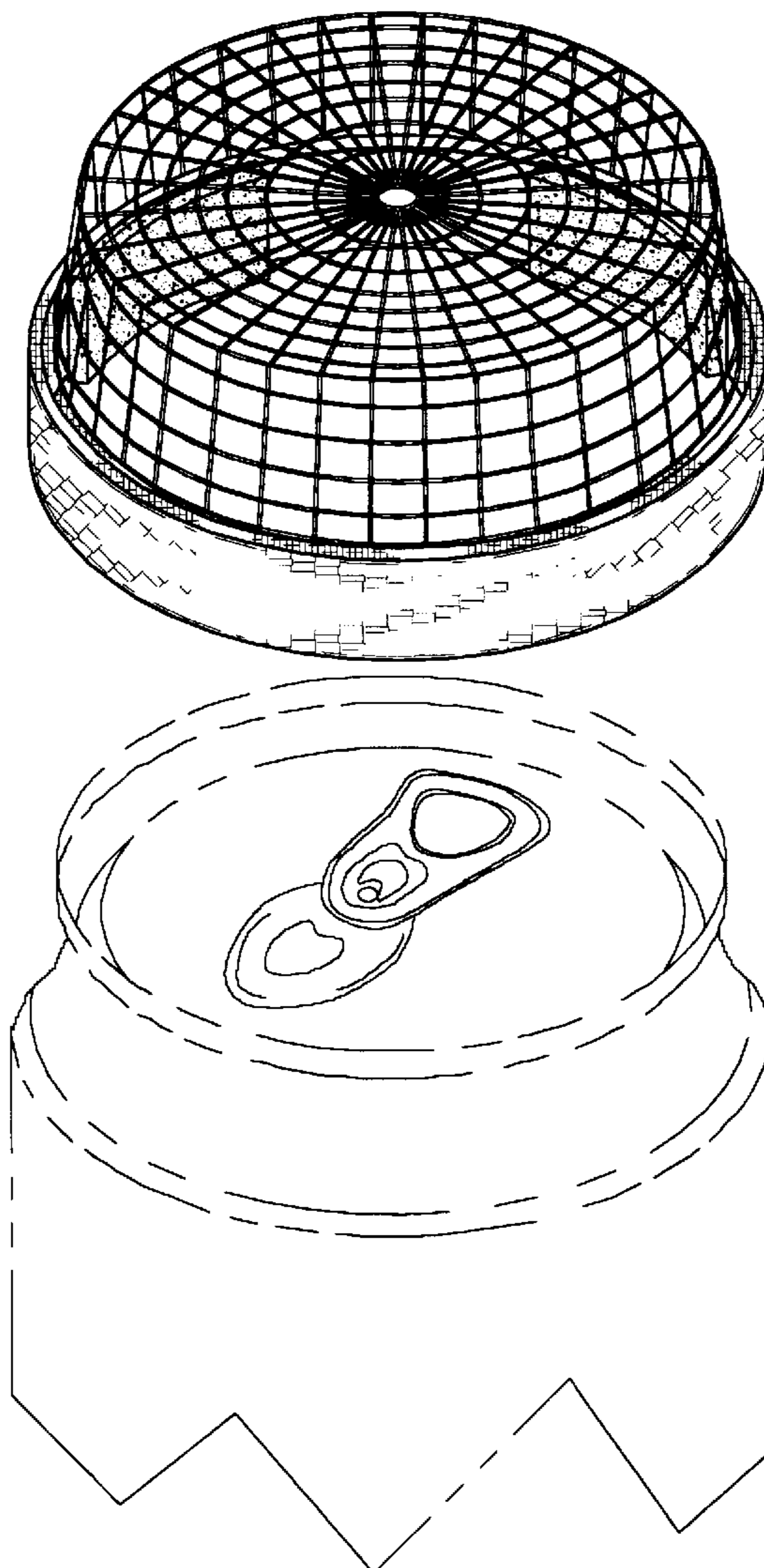
[57] CLAIM

The ornamental design for a permeable drink guard, as shown and described.

DESCRIPTION

FIG. 1 is a front elevational view of the permeable drink guard showing our new design;
 FIG. 2 is a rear elevational view thereof;
 FIG. 3 is a right side view thereof;
 FIG. 4 is a left side view thereof;
 FIG. 5 is a top plan view thereof;
 FIG. 6 is a bottom plan view thereof; and,
 FIG. 7 is a perspective view thereof, the broken line partial showing of a beverage can being for illustrative purposes only and forming no part of the claimed design.
 The surface pattern shown on the lower portion of the claimed design is shown partially for ease of illustration and is understood to be continuous throughout the lower portion.

1 Claim, 4 Drawing Sheets



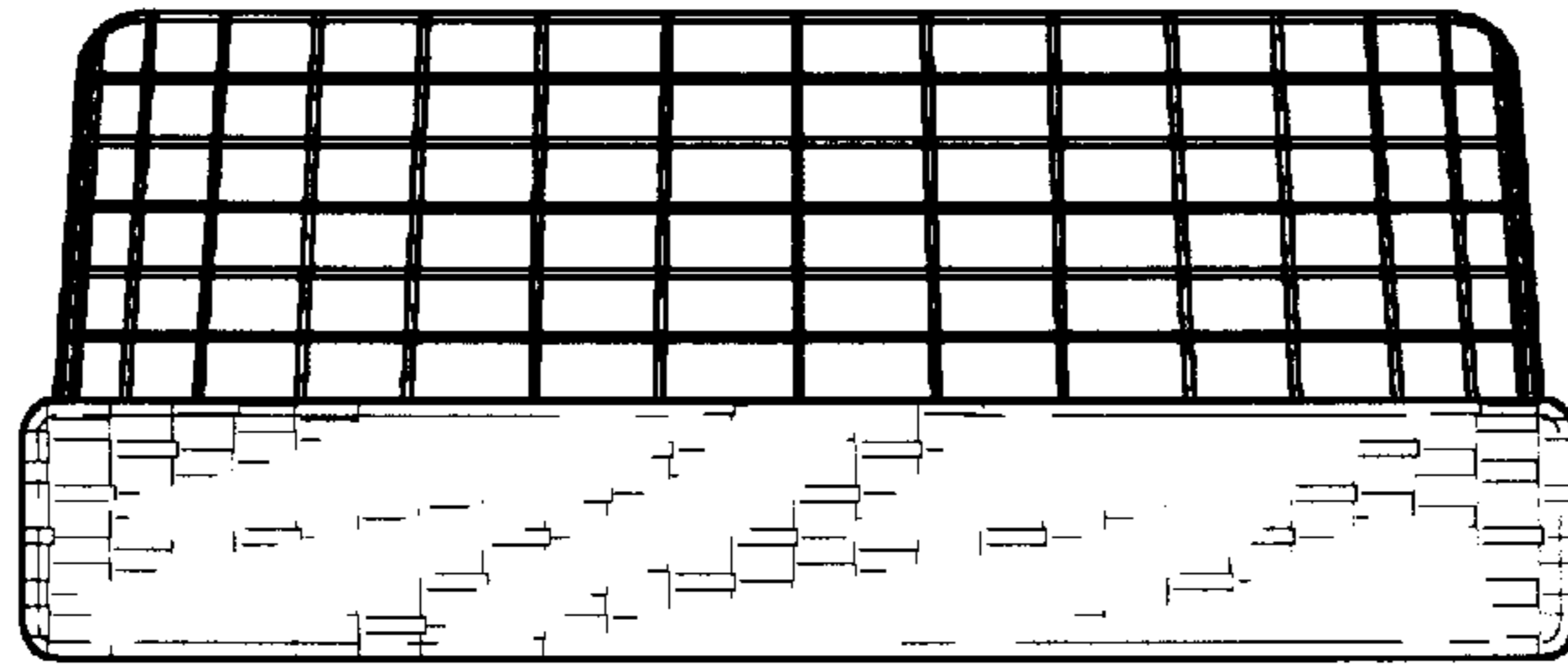


Fig. 2

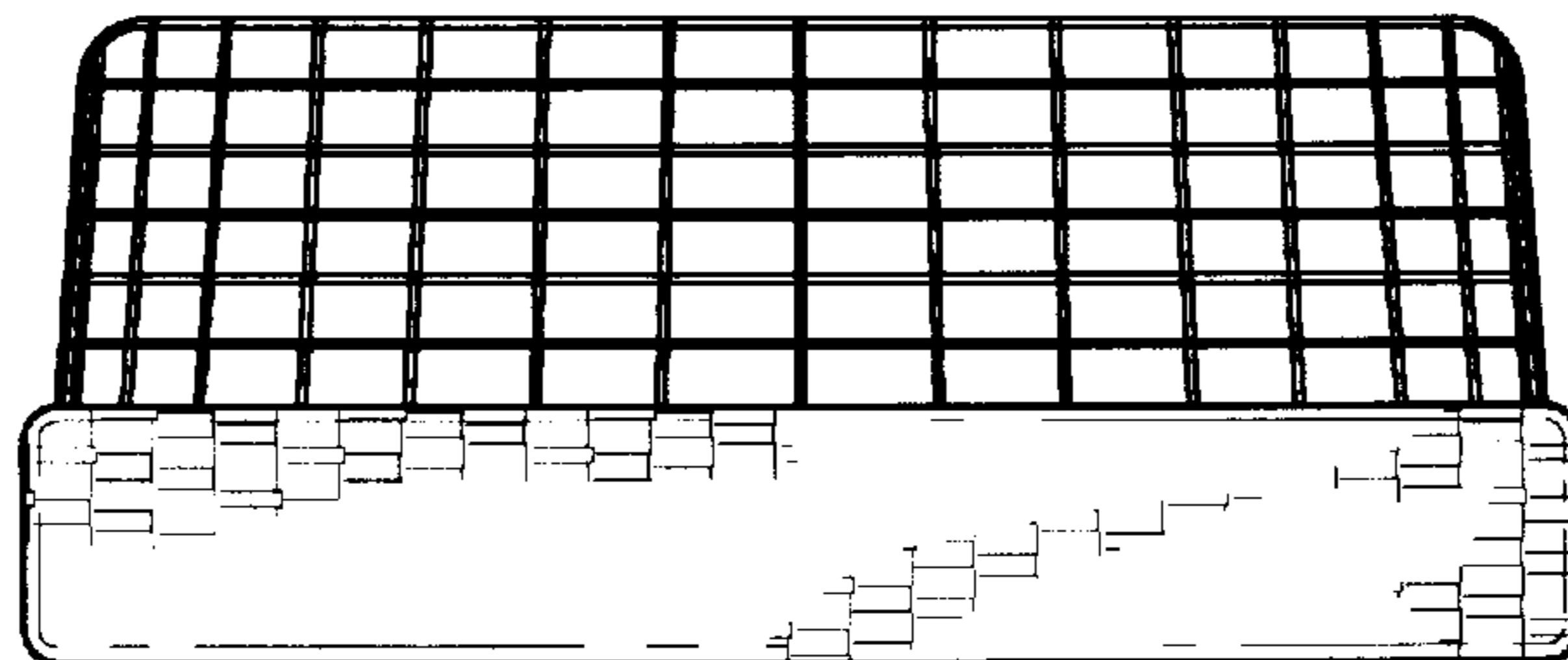


Fig. 1

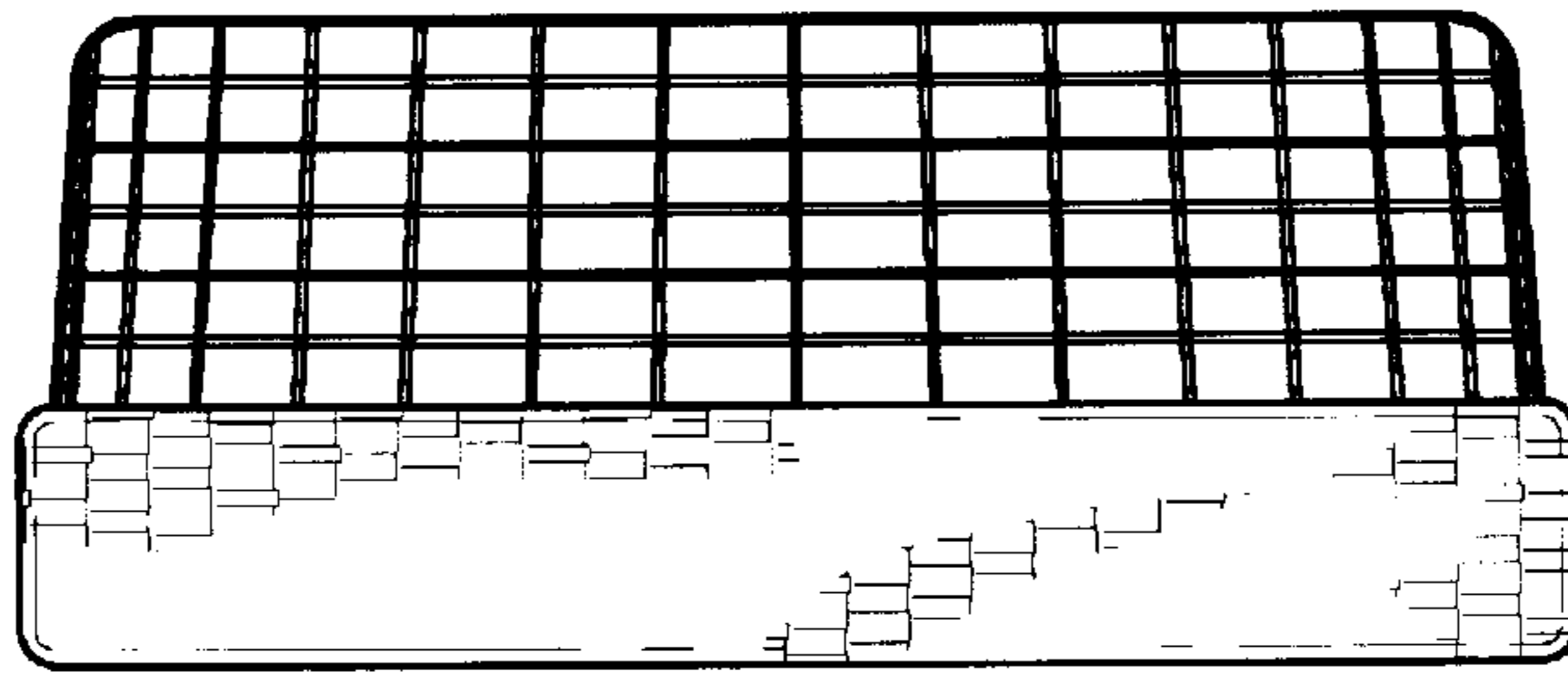


Fig. 4

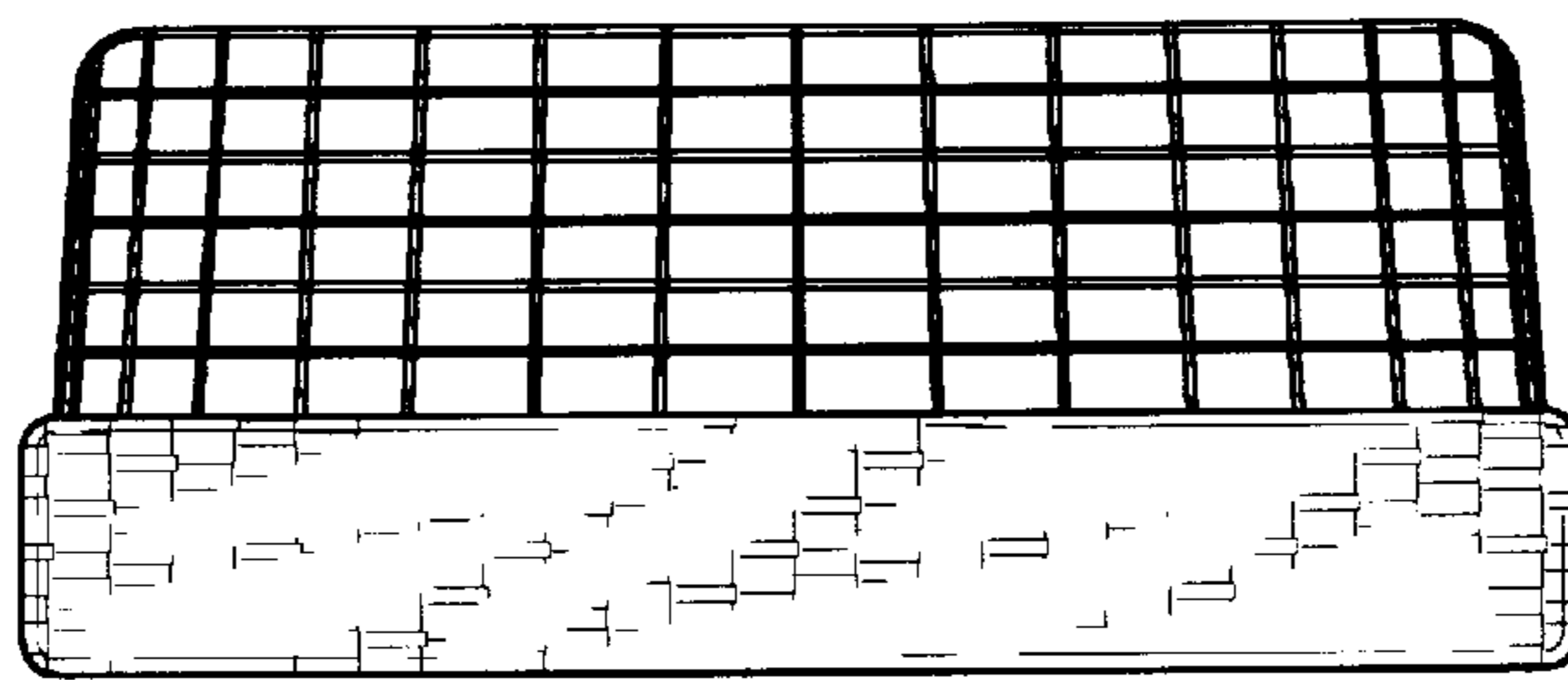


Fig. 3

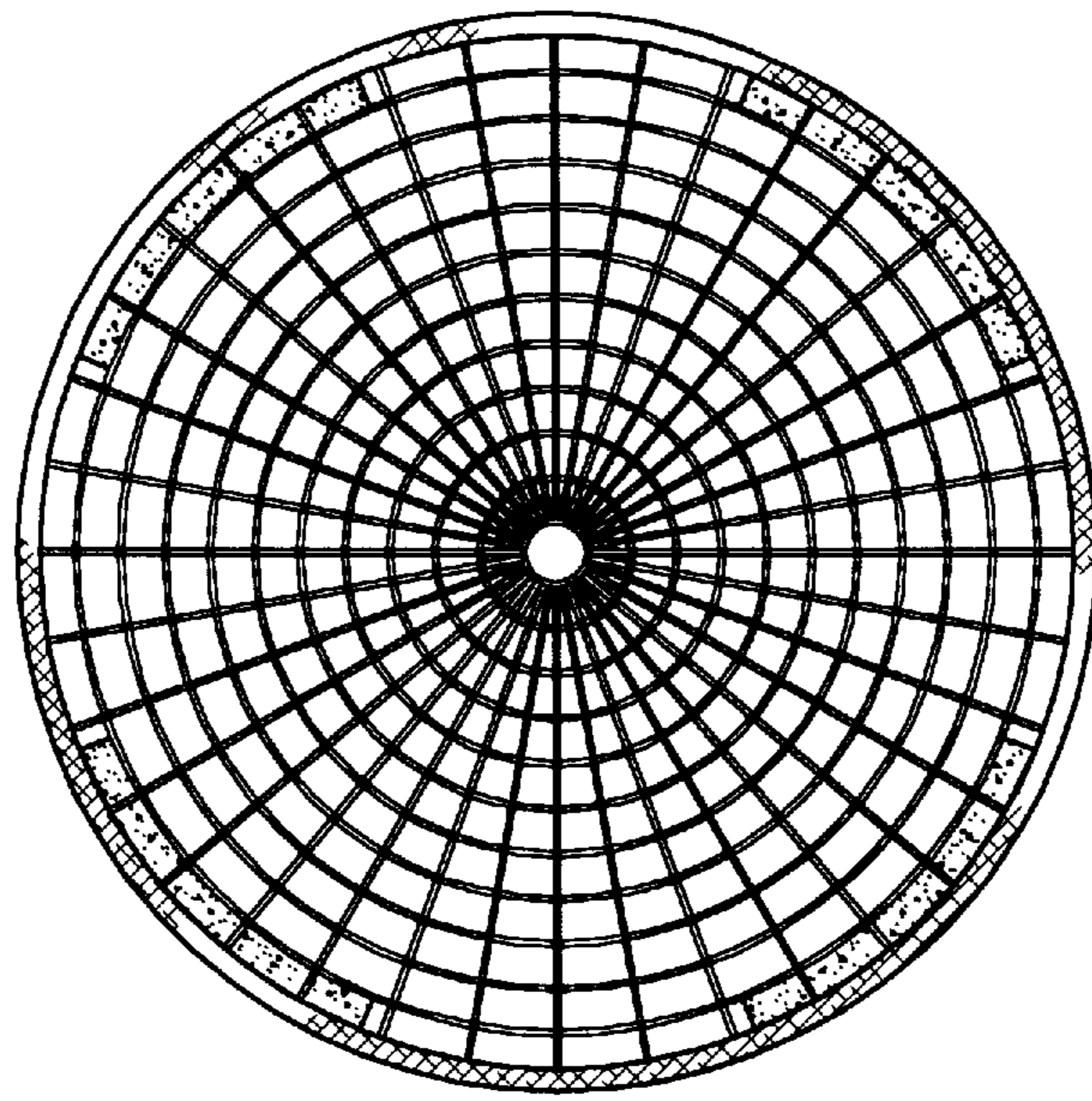


Fig. 5

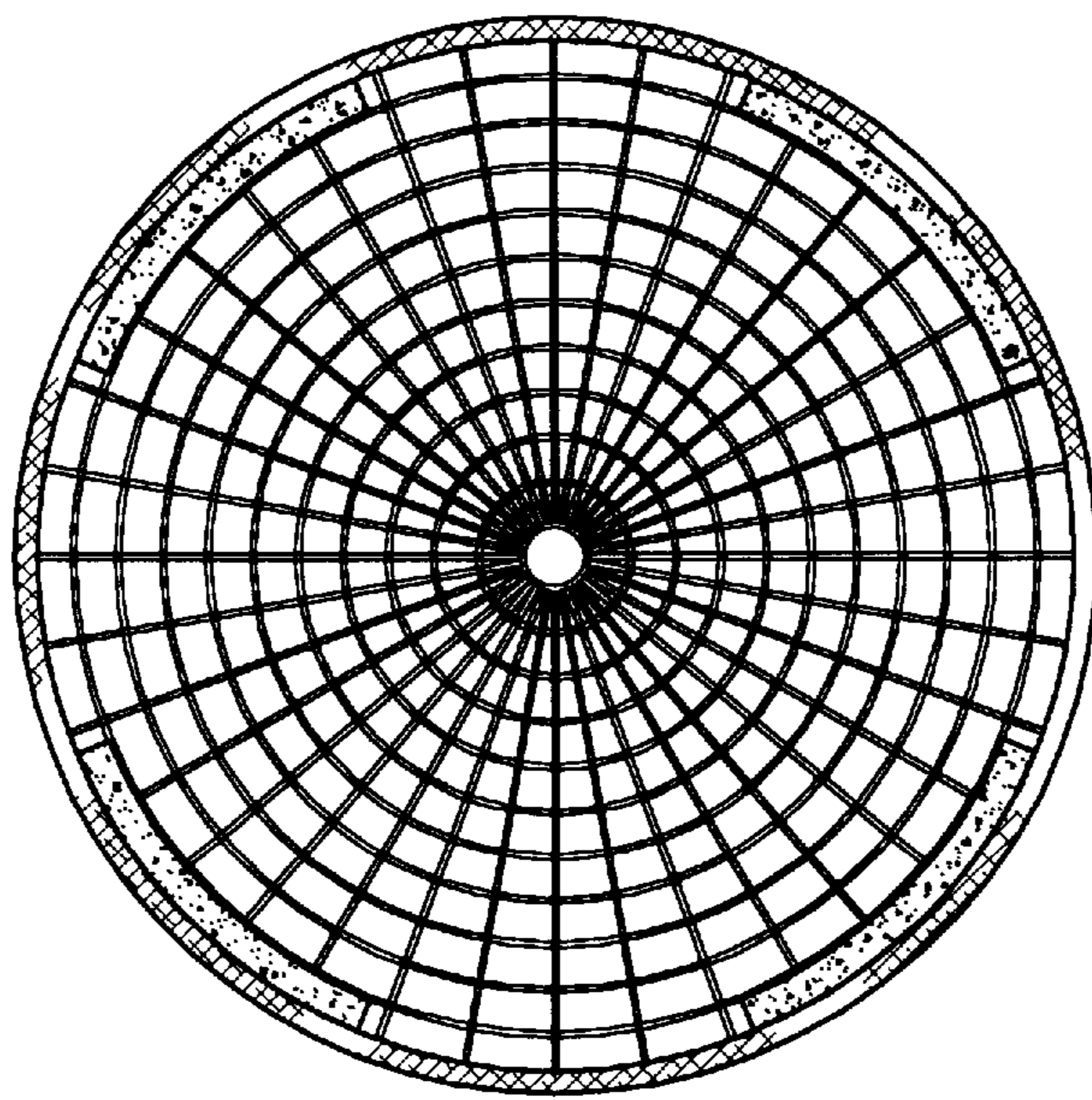


Fig. 6

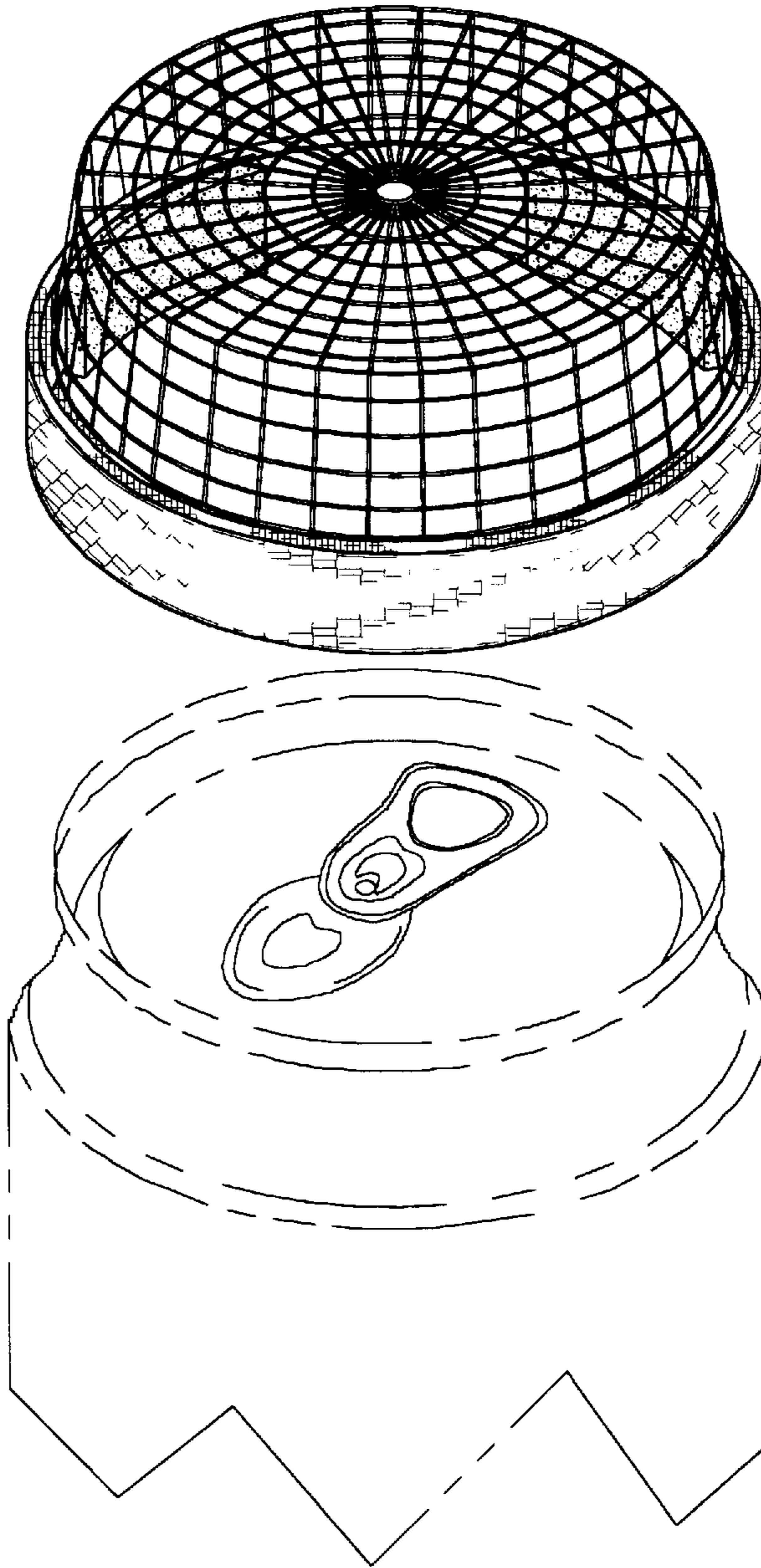


Fig. 7