



US00D401150S

United States Patent [19]
de Laforcade

[11] **Patent Number: Des. 401,150**

[45] **Date of Patent: **Nov. 17, 1998**

[54] **SPRAY UNIT**

[75] Inventor: **Vincent de Laforcade**, Rambouillet,
France

[73] Assignee: **L'Oreal**, Paris, France

[**] Term: **14 Years**

[21] Appl. No.: **61,227**

[22] Filed: **Oct. 18, 1996**

[30] **Foreign Application Priority Data**

Apr. 19, 1996 [XH] Hague Agreement DM/036202

[51] **LOC (6) Cl.** **09-07**

[52] **U.S. Cl.** **D9/448**

[58] **Field of Search** D9/300, 338, 434,
D9/435, 440, 444, 445, 447, 448, 449,
454, 504; 220/780, 784, 915; 222/402.1,
402.12, 402.13

[56] **References Cited**

U.S. PATENT DOCUMENTS

- D. 281,764 12/1985 Legrottaglie D9/504
- D. 308,474 6/1990 Seager D9/300
- D. 322,392 12/1991 Schneider et al. D9/300

- D. 327,003 6/1992 Schneider et al. D9/300
- 3,308,857 3/1967 McGhie 220/915 X
- 4,711,375 12/1987 Mader et al. 222/402.13 X
- 4,732,303 3/1988 Wang 222/536 X
- 5,460,300 10/1995 Tritsch 222/402.1 X

Primary Examiner—James Gandy
Assistant Examiner—Cathron B. Matta
Attorney, Agent, or Firm—Baker & Botts, L.L.P.

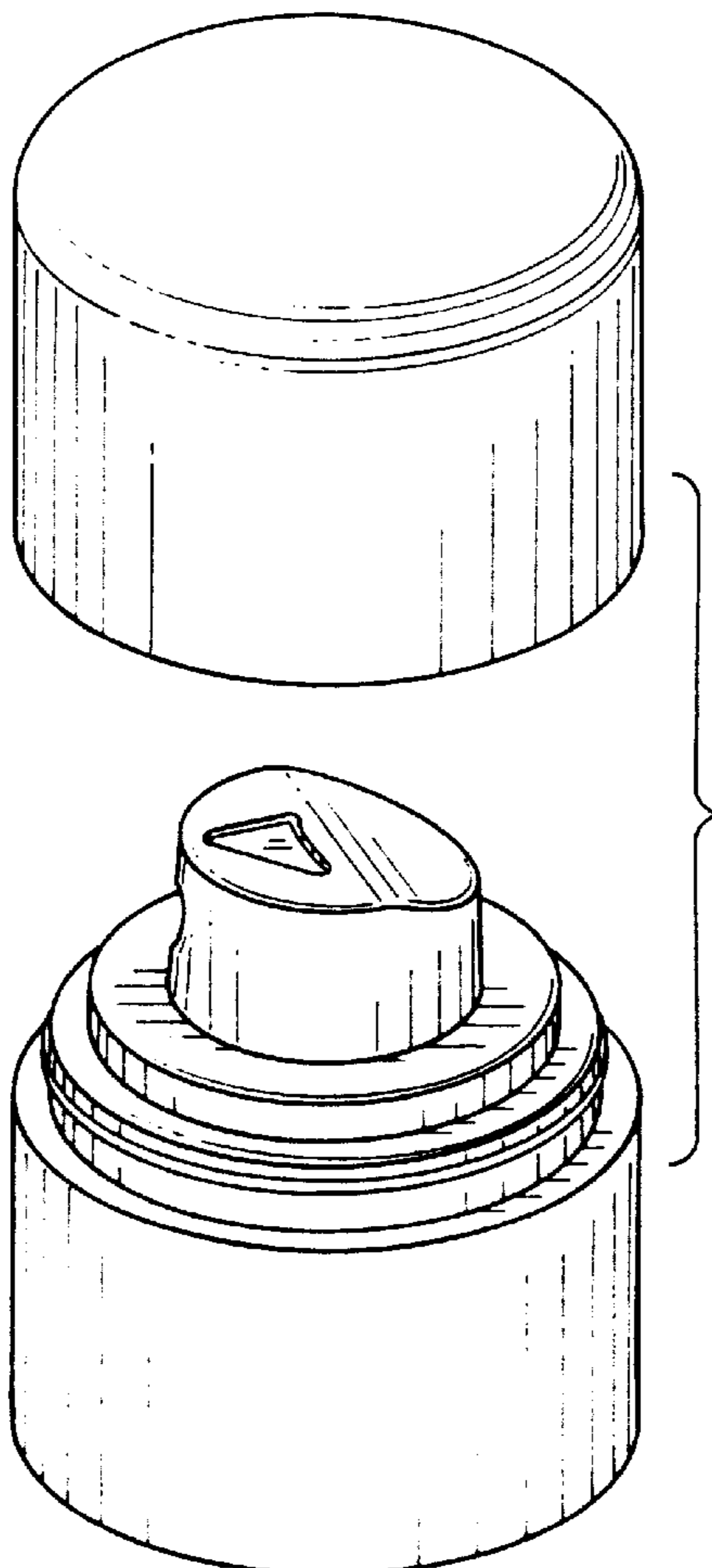
[57] **CLAIM**

The ornamental design for a spray unit, as shown and described.

DESCRIPTION

FIG. 1 is a front view of the spray unit of the present invention without the cover;
FIG. 2 is a rear view thereof;
FIG. 3 is a left side view thereof;
FIG. 4 is a right side view thereof;
FIG. 5 is a top view thereof;
FIG. 6 is a bottom view thereof; and,
FIG. 7 is a perspective view of the spray unit of the present invention, shown at a reduced scale showing the cover removed from the body of the spray unit.
The opposite side of the cover is a mirror image of that shown.

1 Claim, 2 Drawing Sheets



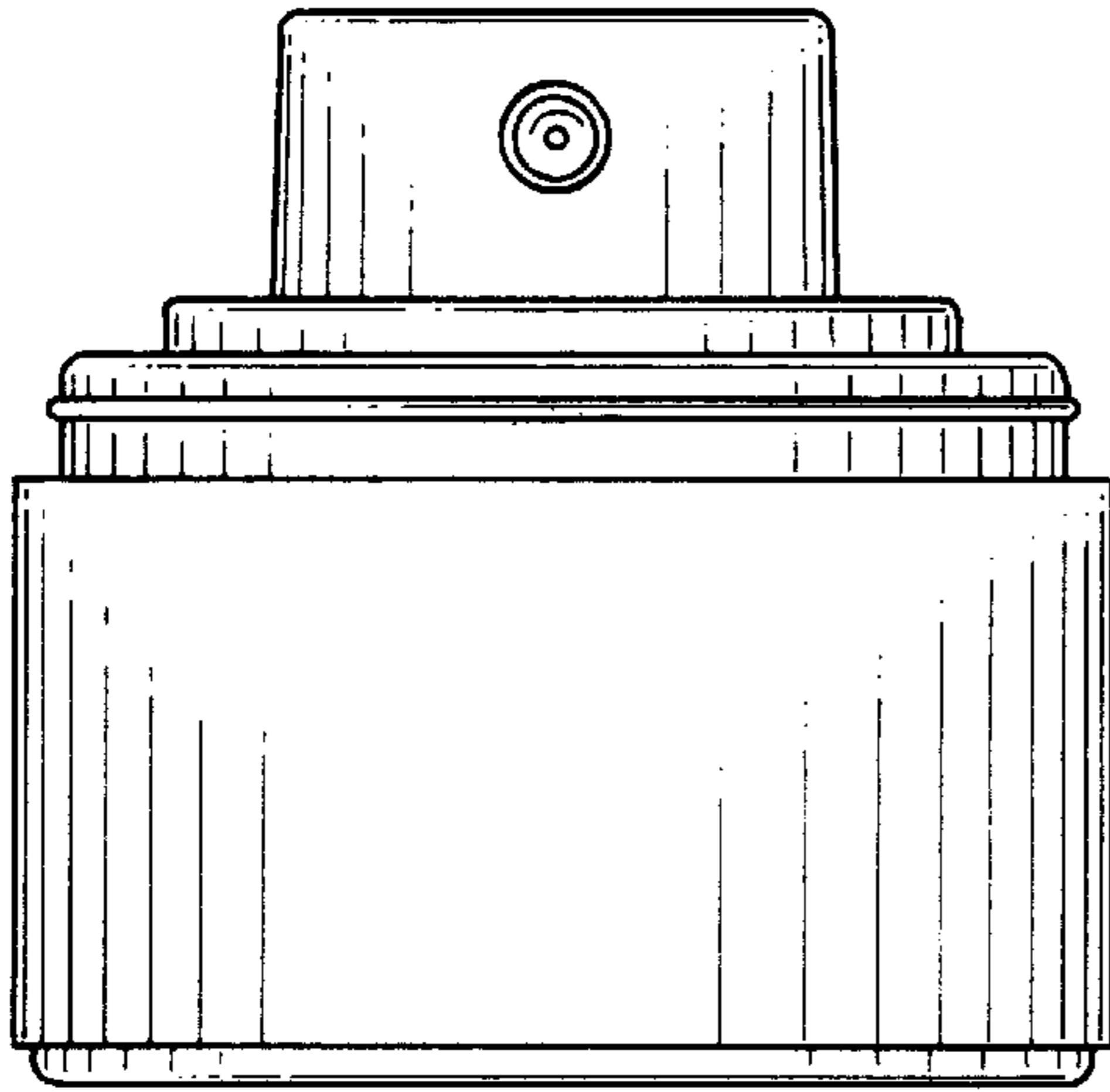


FIG. 1

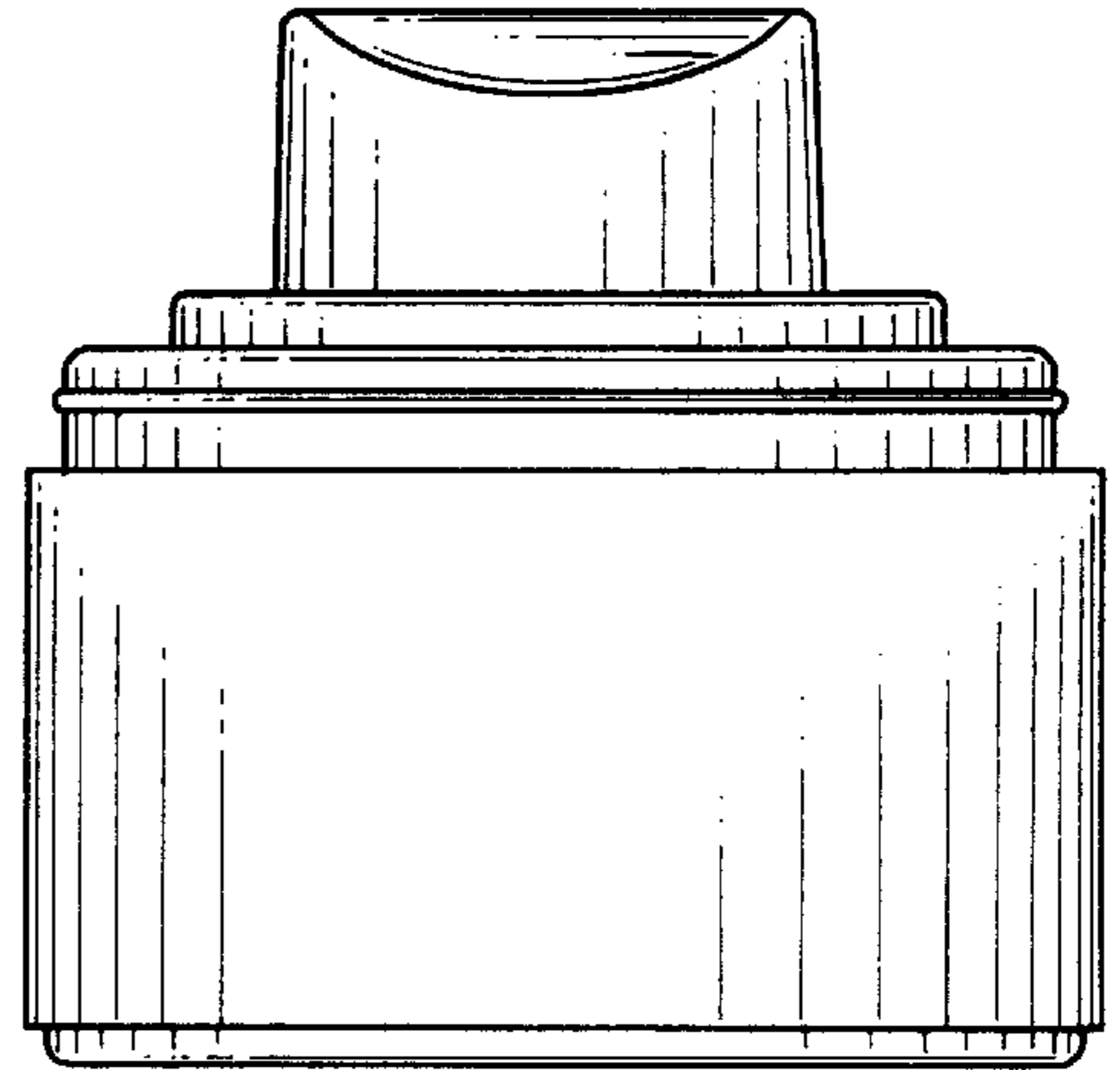


FIG. 2

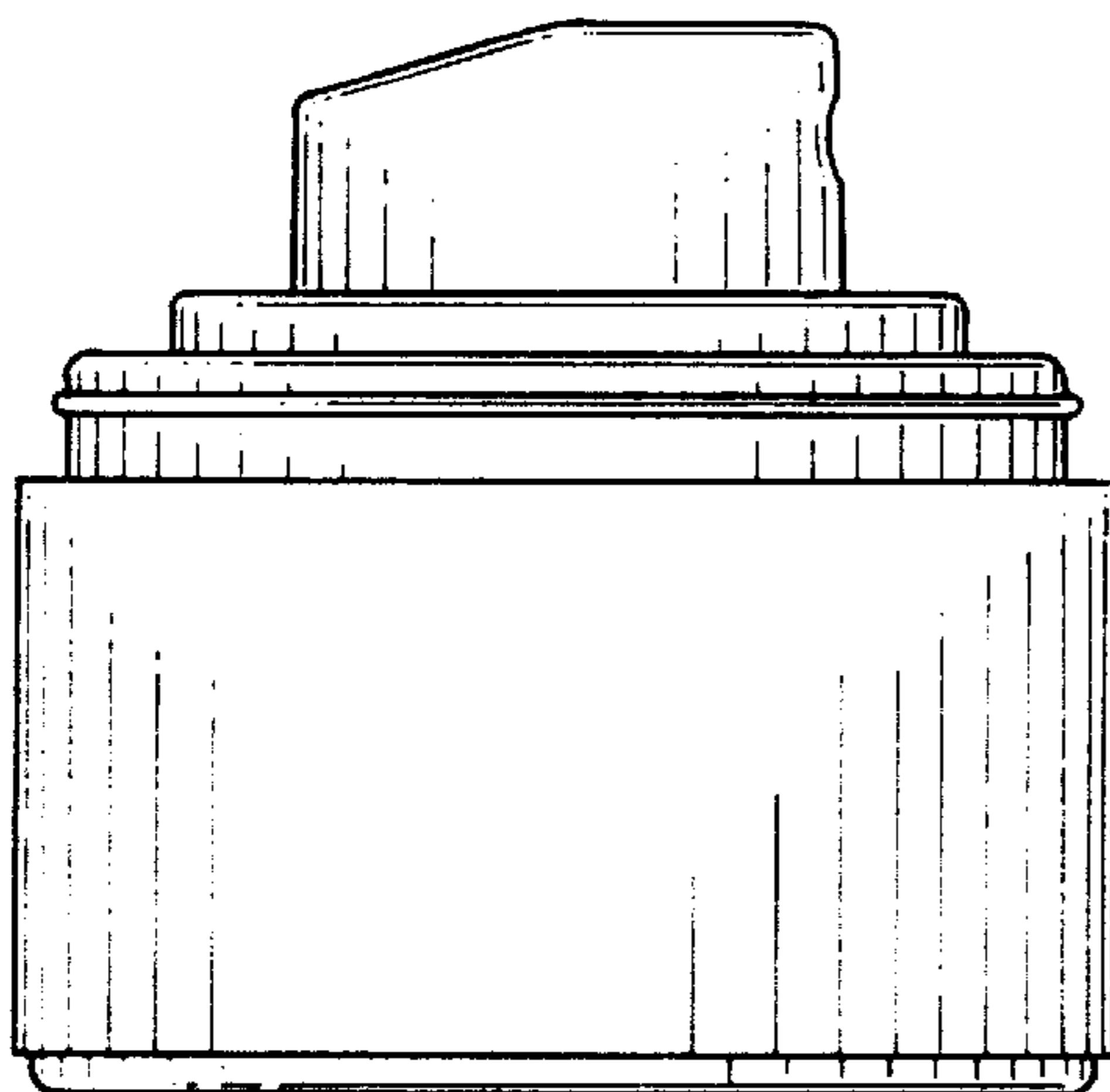


FIG. 3

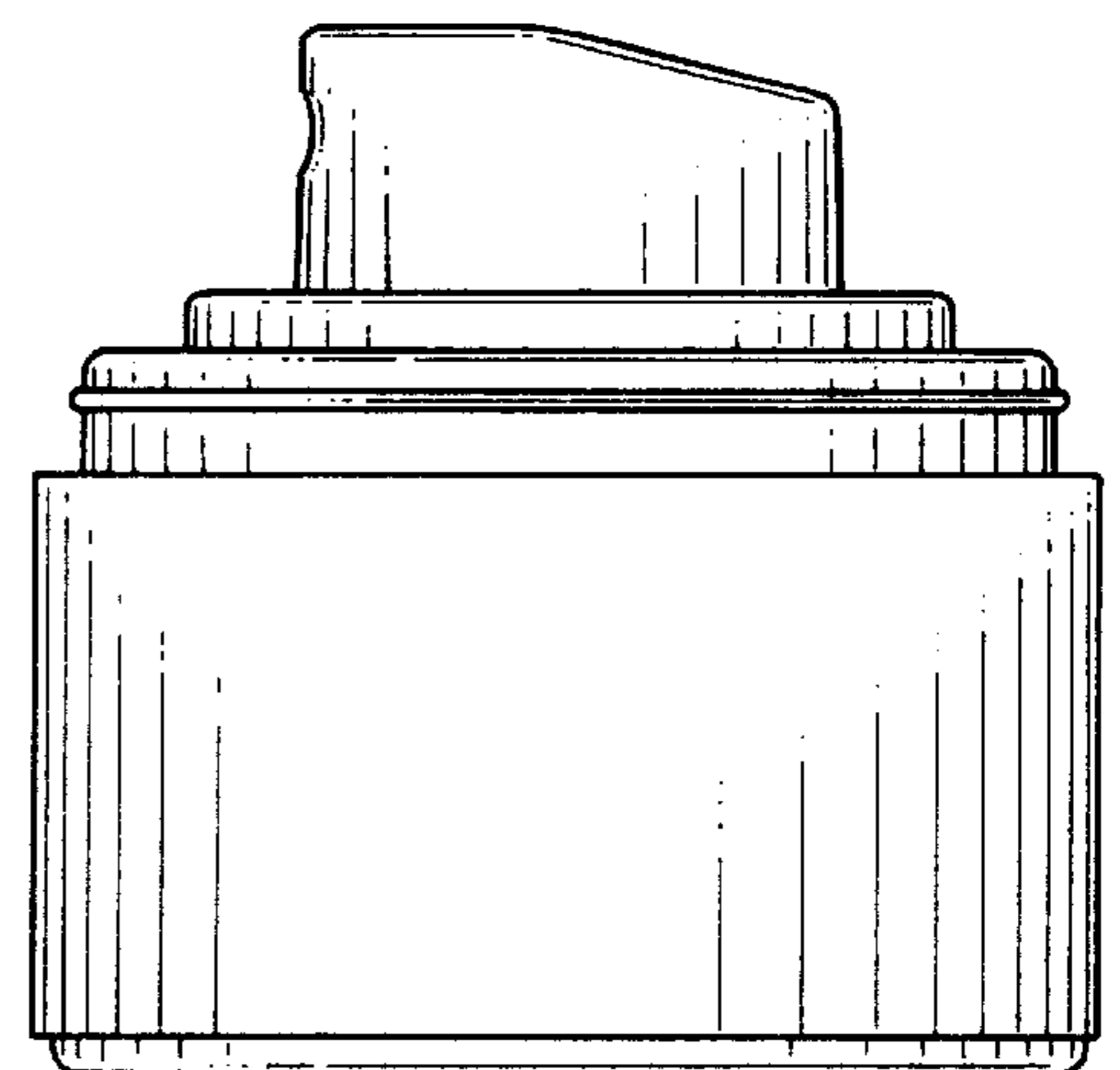


FIG. 4

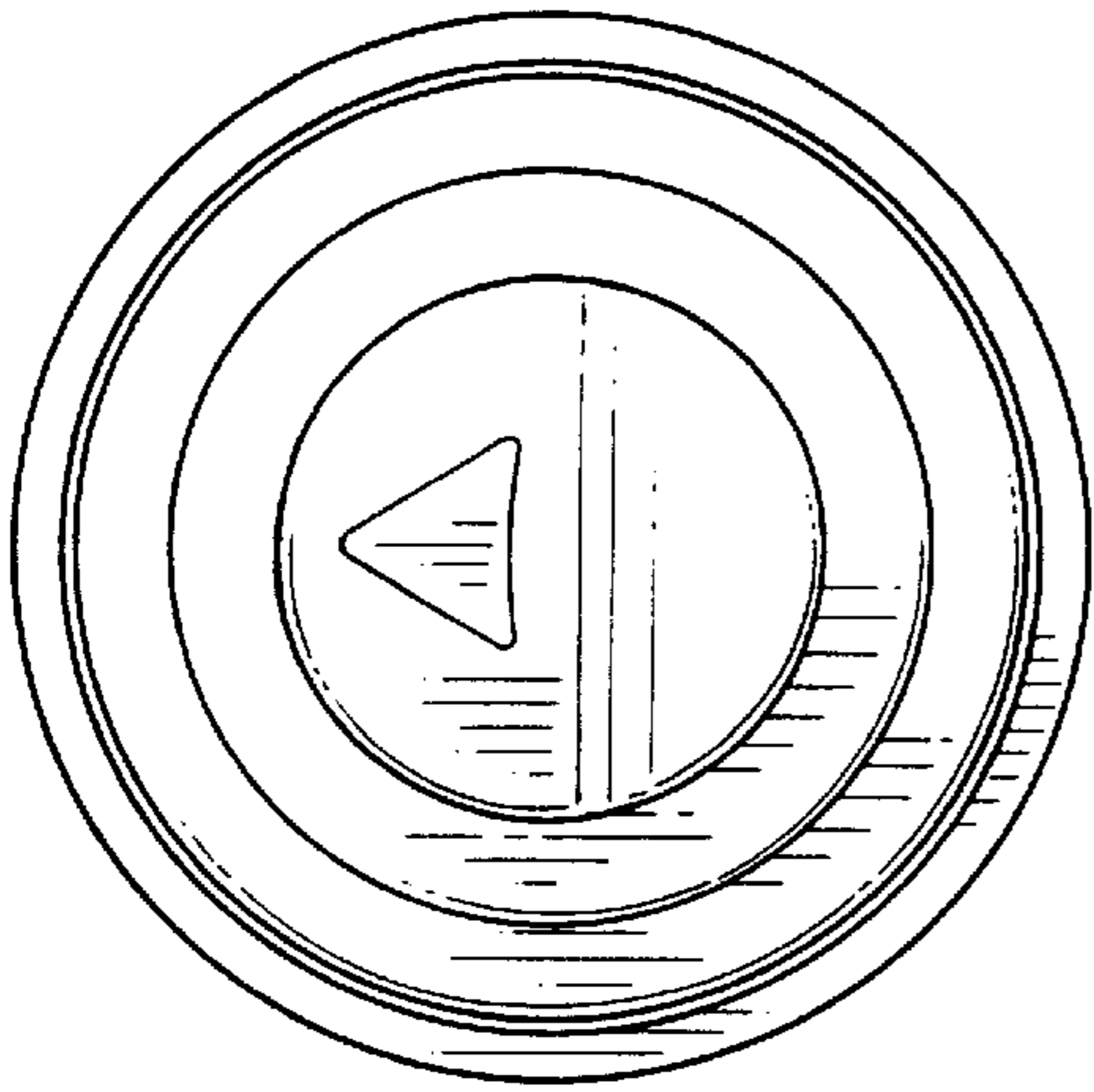


FIG. 5

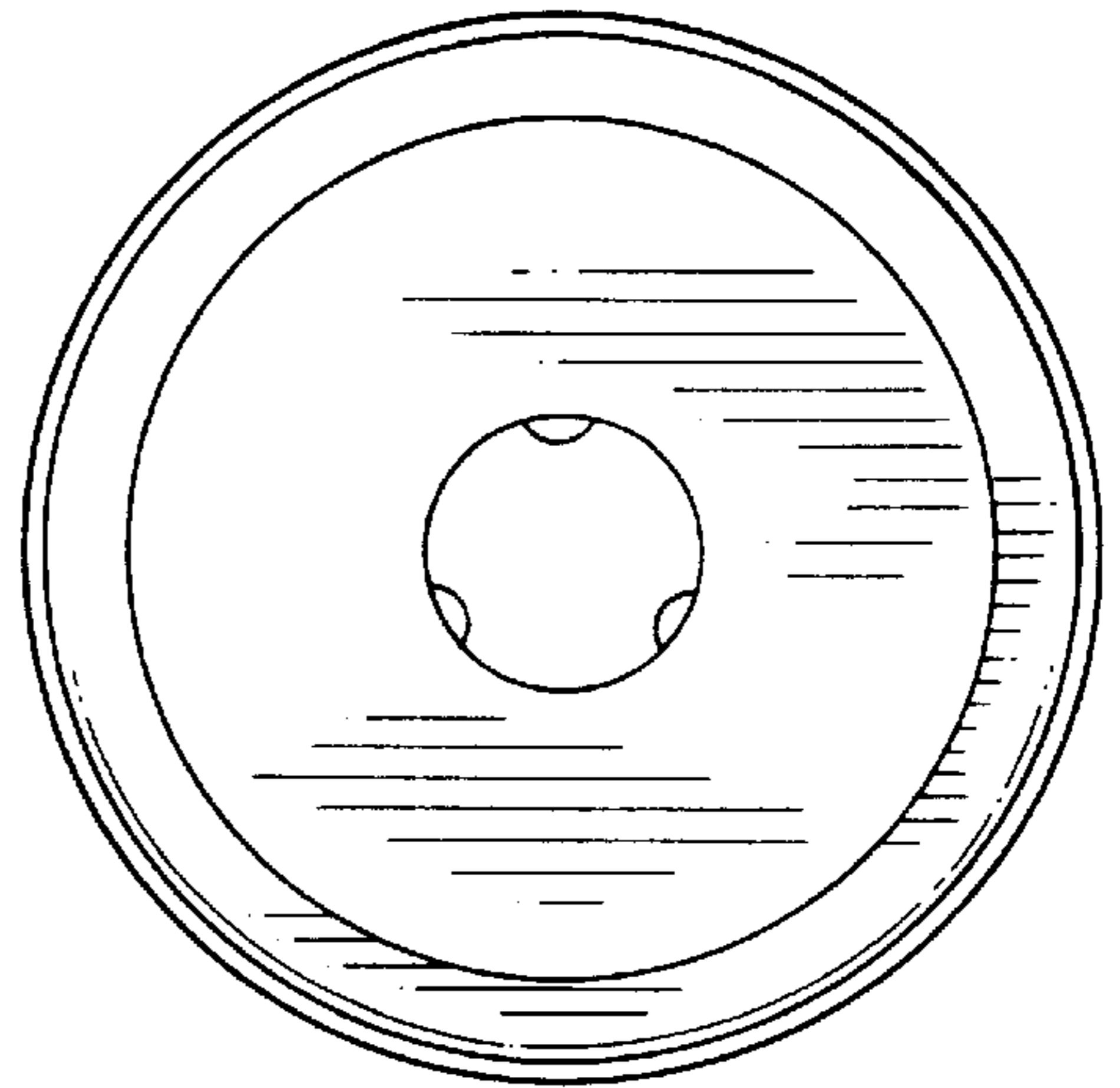


FIG. 6

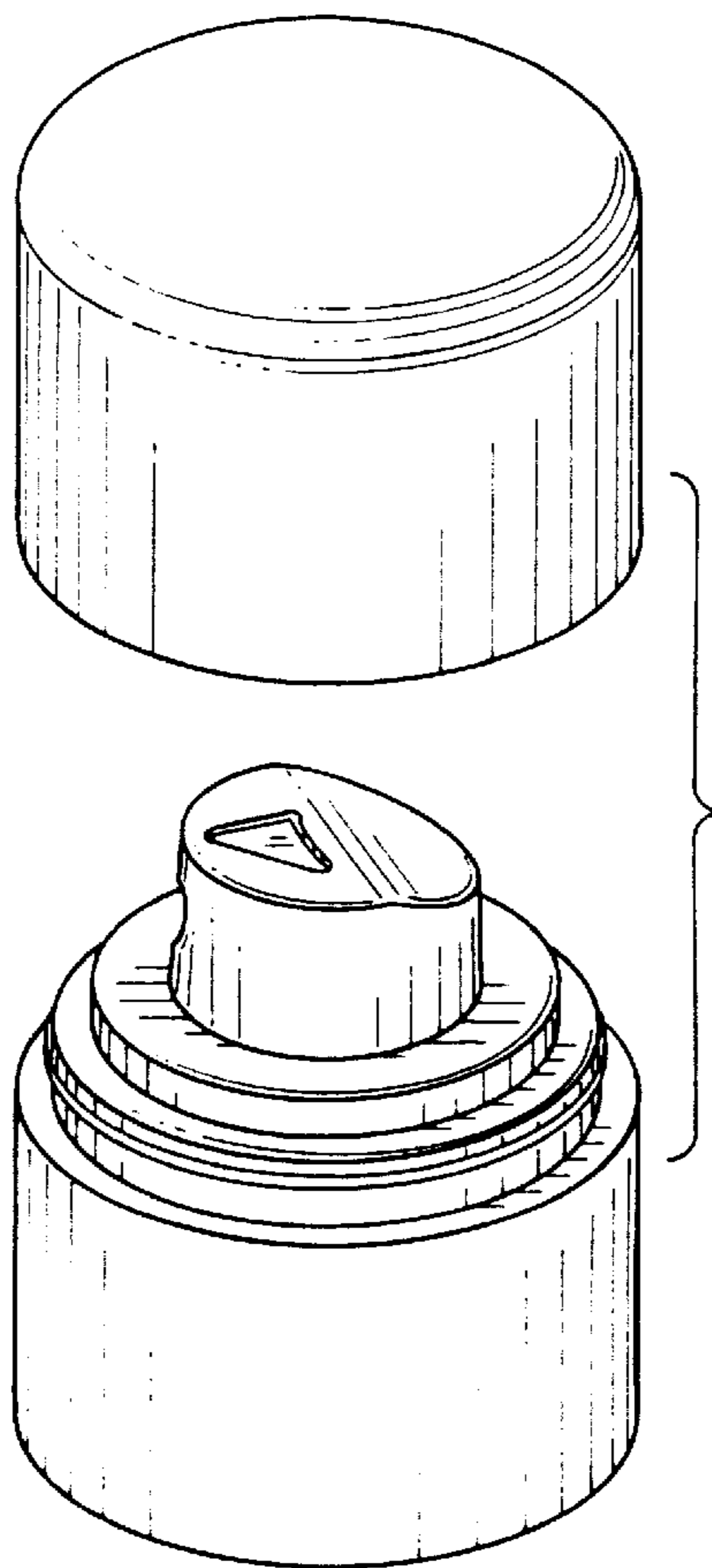


FIG. 7