



US00D401146S

United States Patent [19] Srinual

[11] **Patent Number: Des. 401,146**

[45] **Date of Patent: **Nov. 17, 1998**

[54] **JEWELRY BOX**

[75] Inventor: **Sanaie Srinual**, Bangpong, Thailand

[73] Assignee: **Cosmo Group PCL**, Bangkok, Thailand

[**] Term: **14 Years**

[21] Appl. No.: **57,384**

[22] Filed: **Jul. 24, 1996**

[51] **LOC (6) Cl.** **09-07**

[52] **U.S. Cl.** **D9/423; D9/430**

[58] **Field of Search** D9/420-425, 432, D9/430, 414, 415, 337, 418; 206/6.1, 566, 457, 823, 459.1, 459.5; 220/252, 335, 337, 339, 376, DIG. 20; 217/5, 11, 58, 106, 110, 113, 3 BC, 3 CU; D28/83

[56] **References Cited**

U.S. PATENT DOCUMENTS

D. 104,147	4/1937	Darness et al.	D9/423
D. 151,956	12/1948	Baud	D9/423
D. 216,350	12/1969	Selwyn	D9/423
D. 306,973	4/1990	Kaplan	D9/423
D. 332,399	1/1993	Neff	D9/423
D. 332,400	1/1993	Neff	D9/423
D. 333,264	2/1993	Kaplan	.	
D. 344,234	2/1994	Kaplan	D9/430 X
D. 344,676	3/1994	Newman	D9/423 X
4,101,023	7/1978	Schuander	206/6.1
5,547,072	8/1996	Kaiser	206/6.1 X

OTHER PUBLICATIONS

Modern Packaging Cat. 1948, p. 450, Item #1.

Modern Packaging Cat 1954, p. 64.

United States Box Corp., 1982, p. 37.

Packaging, 1959, p. 164, Item #506.

Primary Examiner—Prabhakar G. Deshmukh
Attorney, Agent, or Firm—Leighton K. Chong

[57] **CLAIM**

The ornamental design for the jewelry box, as shown and described.

DESCRIPTION

FIG. 1 is a front perspective view showing the new design for the jewelry box;

FIG. 2 is a front perspective view of the jewelry box shown in FIG. 1 with its top in an opened position;

FIG. 3 is a right side elevational view of the jewelry box shown in FIG. 1;

FIG. 4 is a front elevational view of the jewelry box shown in FIG. 1;

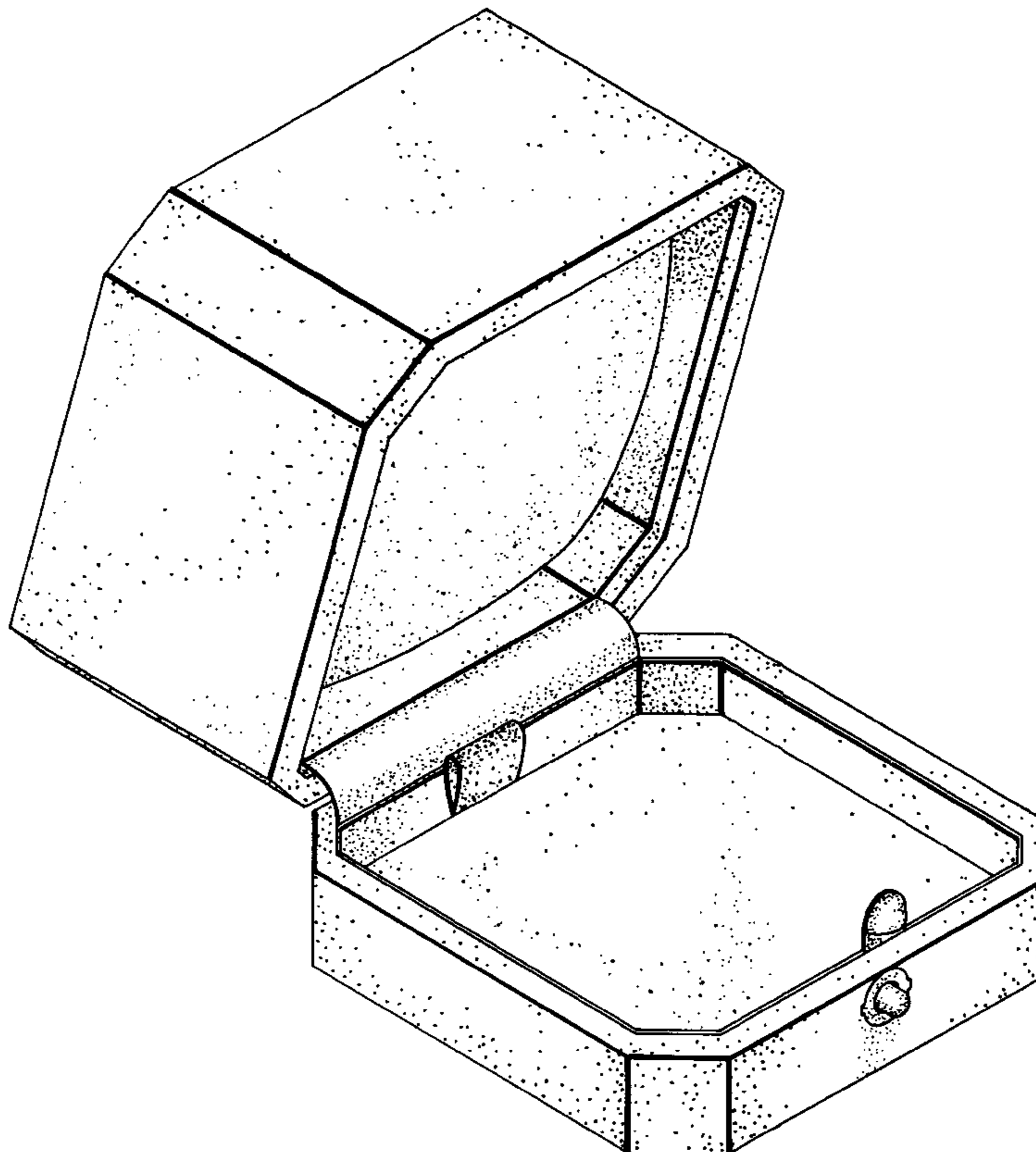
FIG. 5 is a rear elevational view of the jewelry box shown in FIG. 1;

FIG. 6 is a top view of the jewelry box shown in FIG. 1;

FIG. 7 is a bottom view of the jewelry box shown in FIG. 1; and,

FIG. 8 is a left side elevational view of the jewelry box shown in FIG. 1.

1 Claim, 5 Drawing Sheets



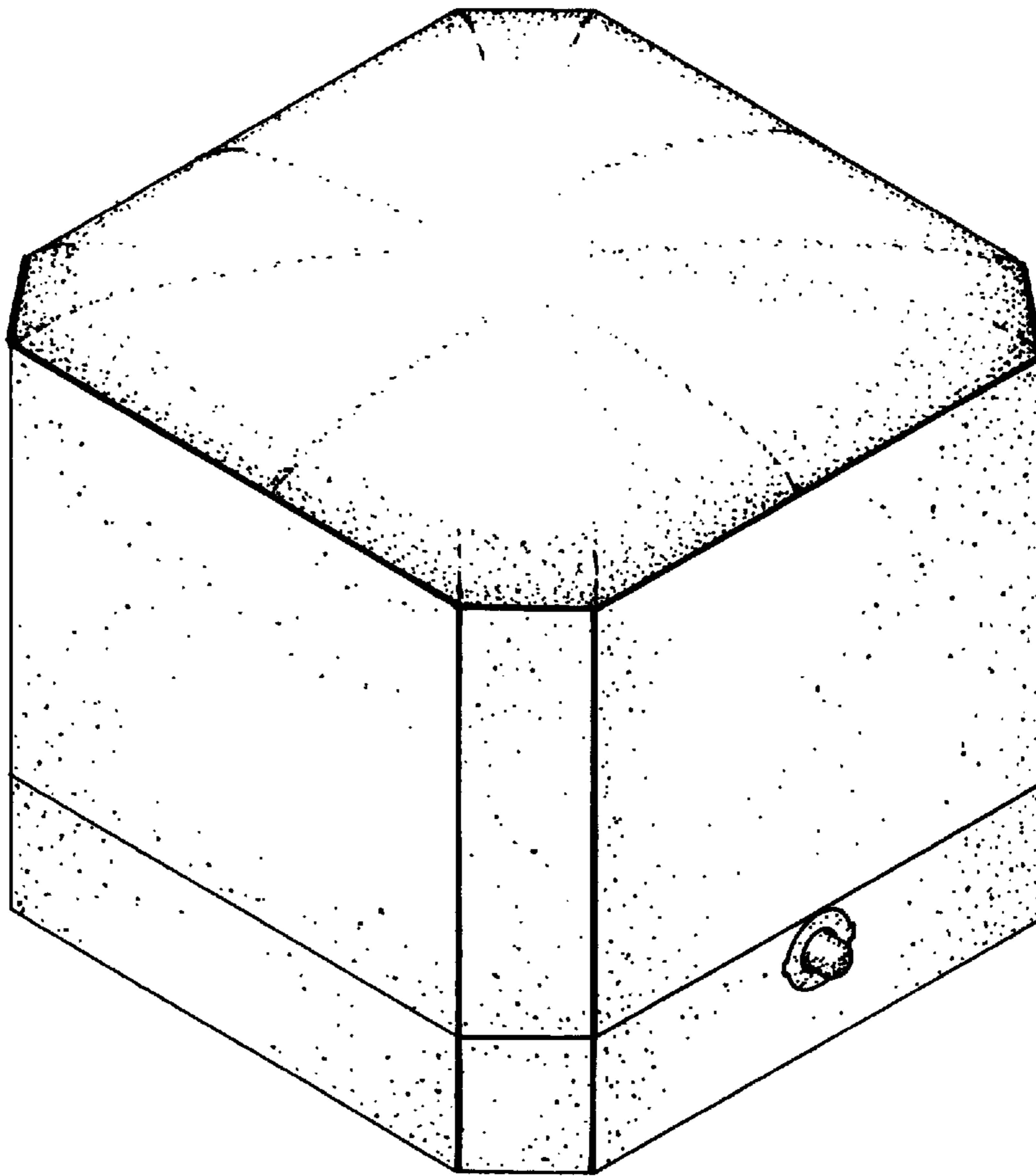


FIG. 1

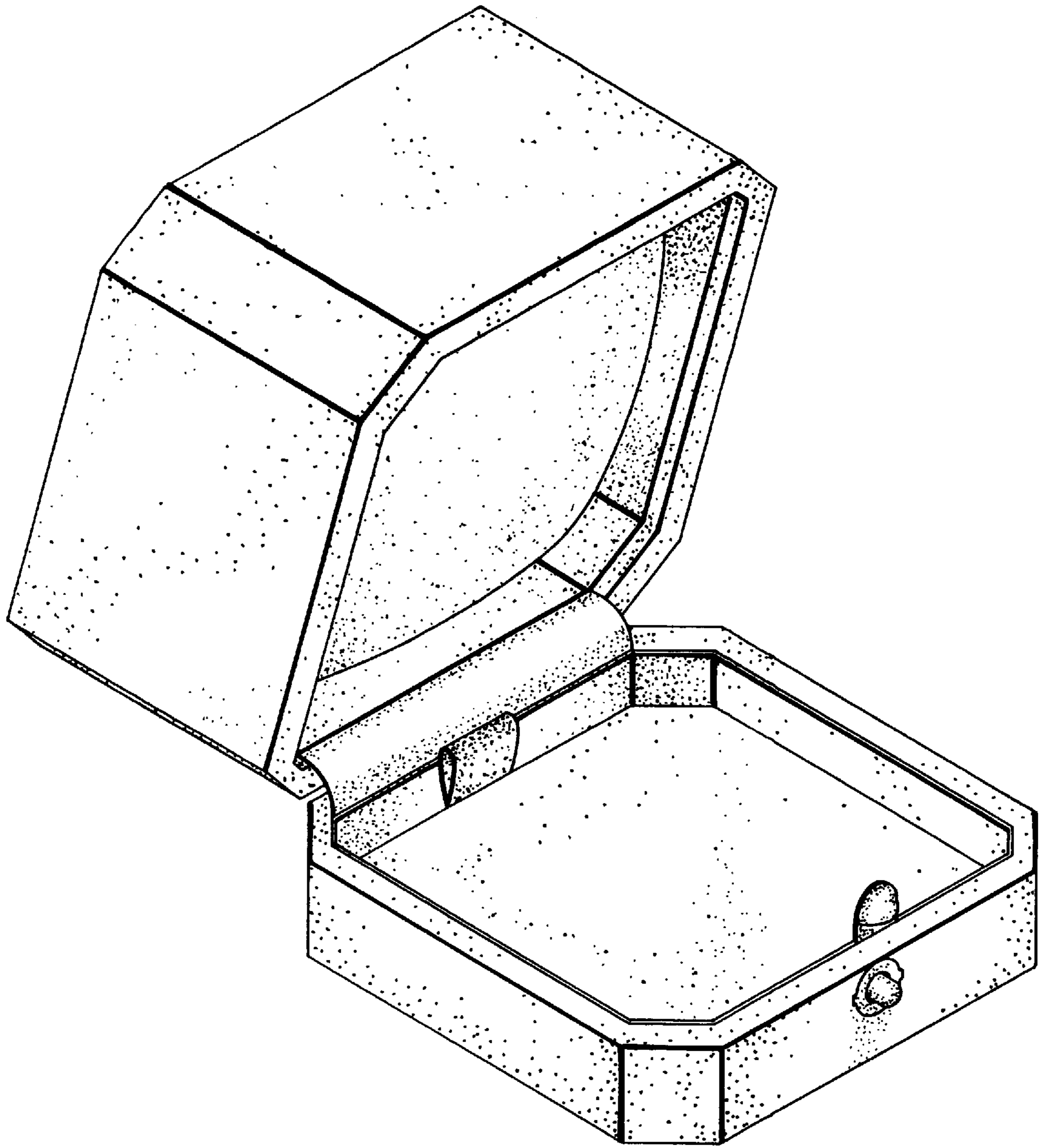


FIG. 2

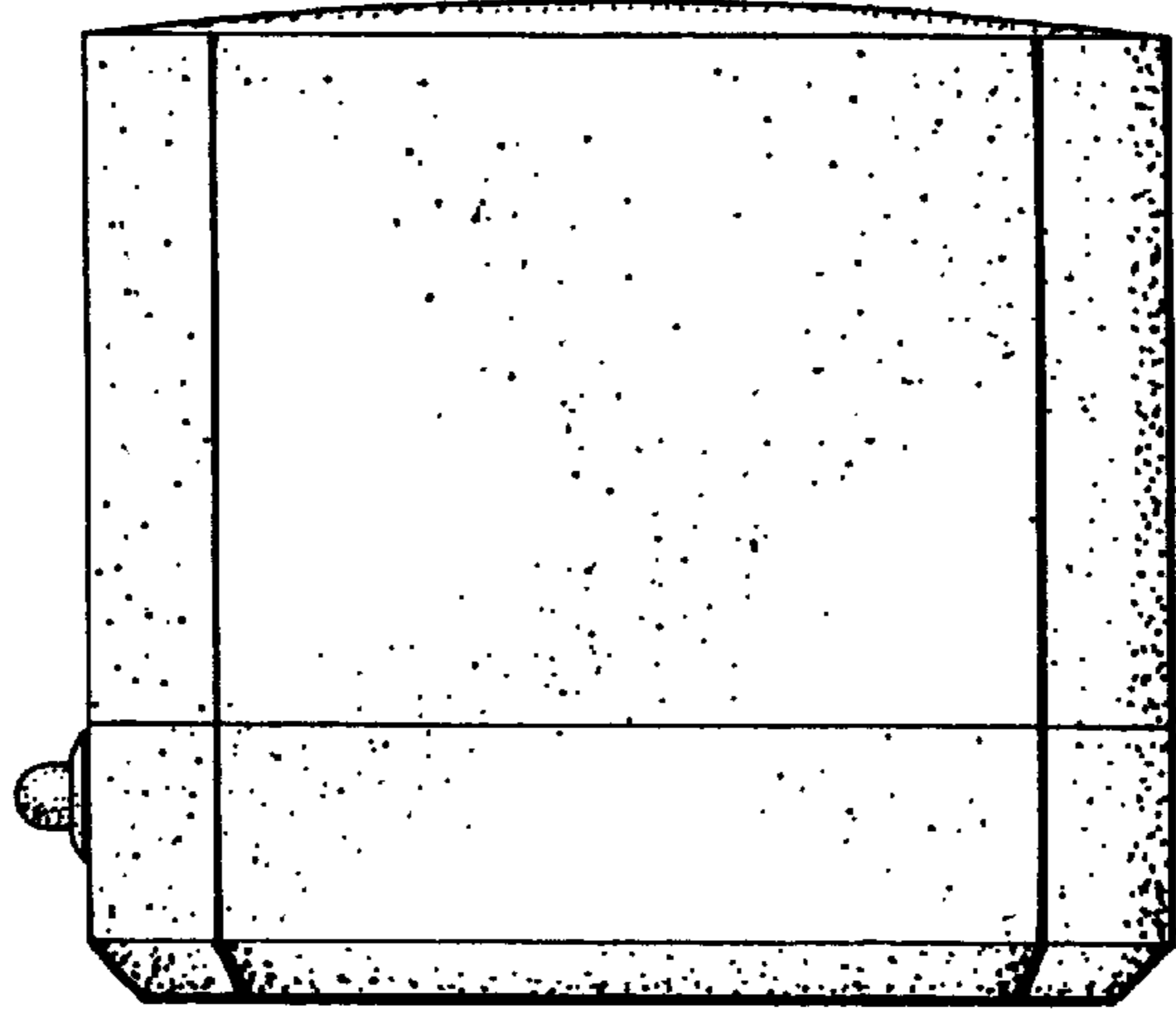


FIG. 3

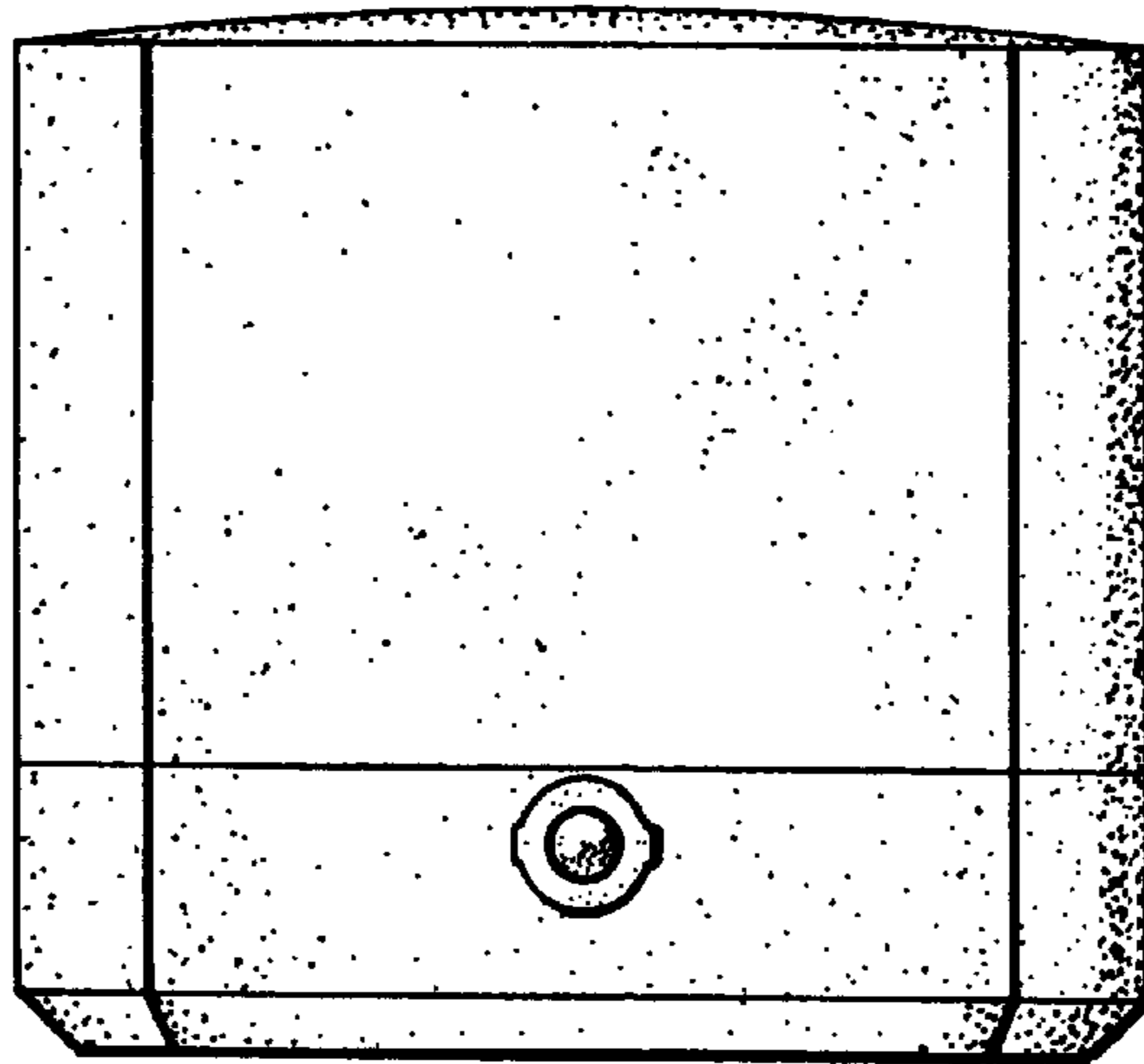


FIG. 4

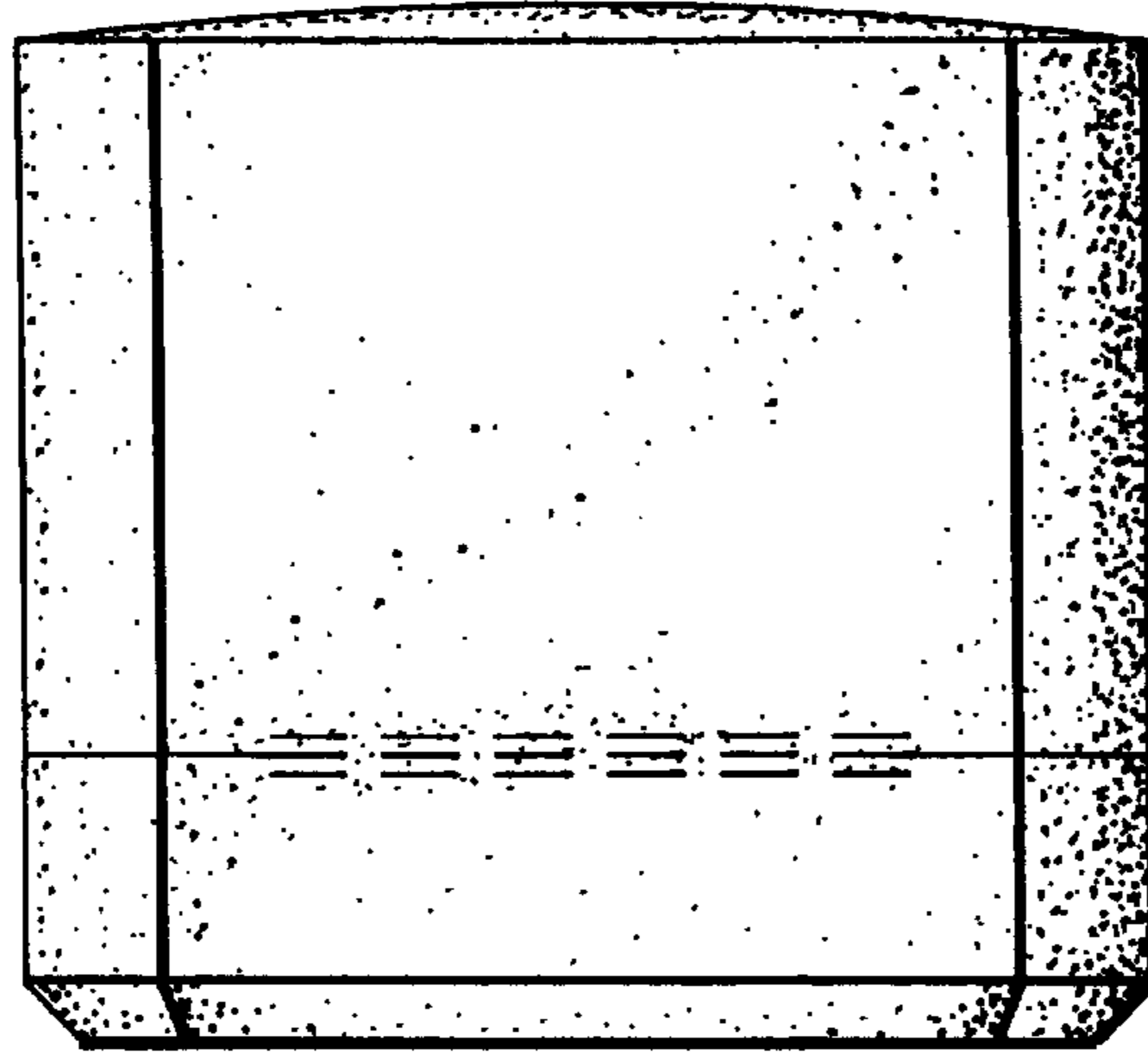


FIG. 5

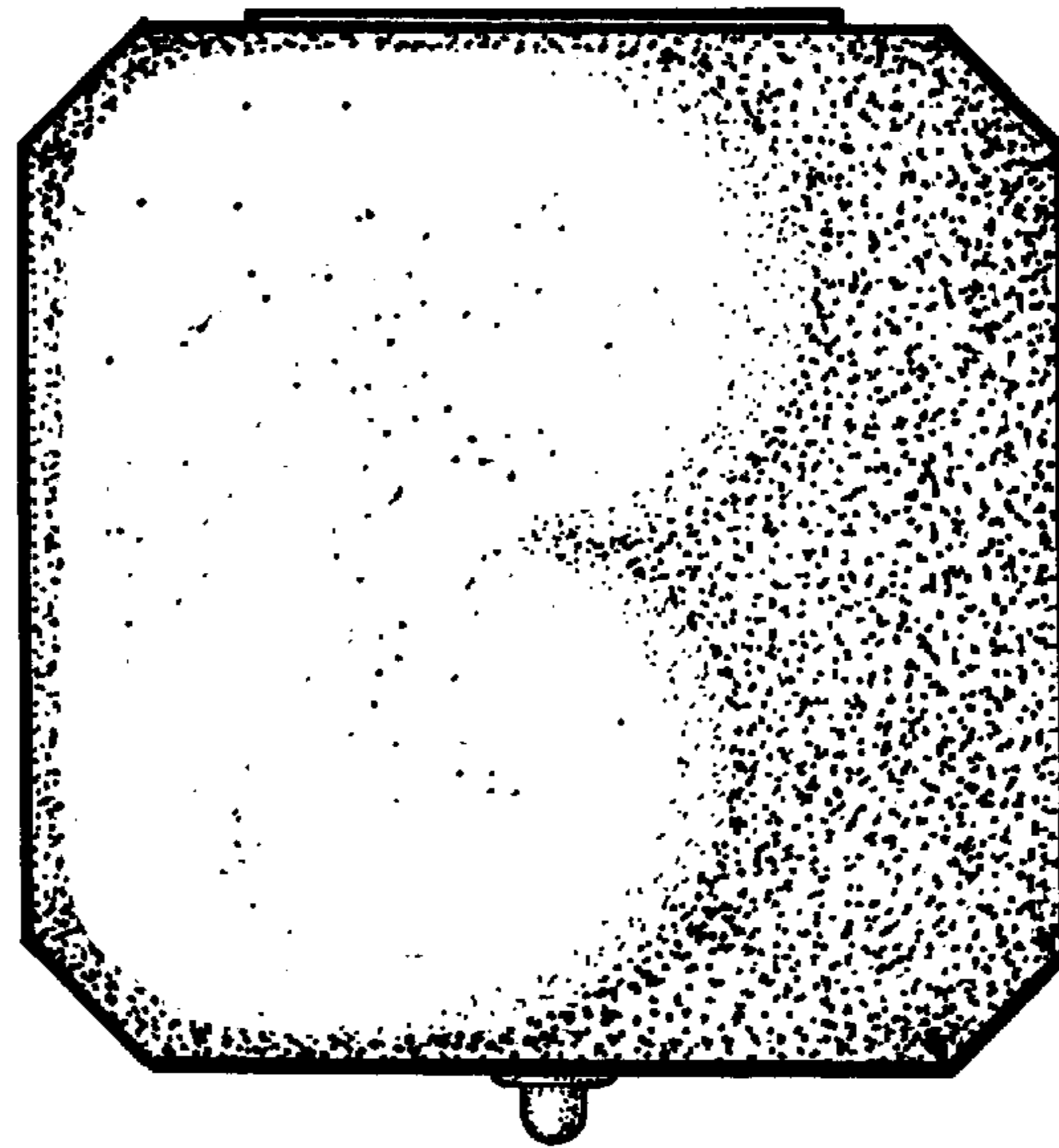


FIG. 6

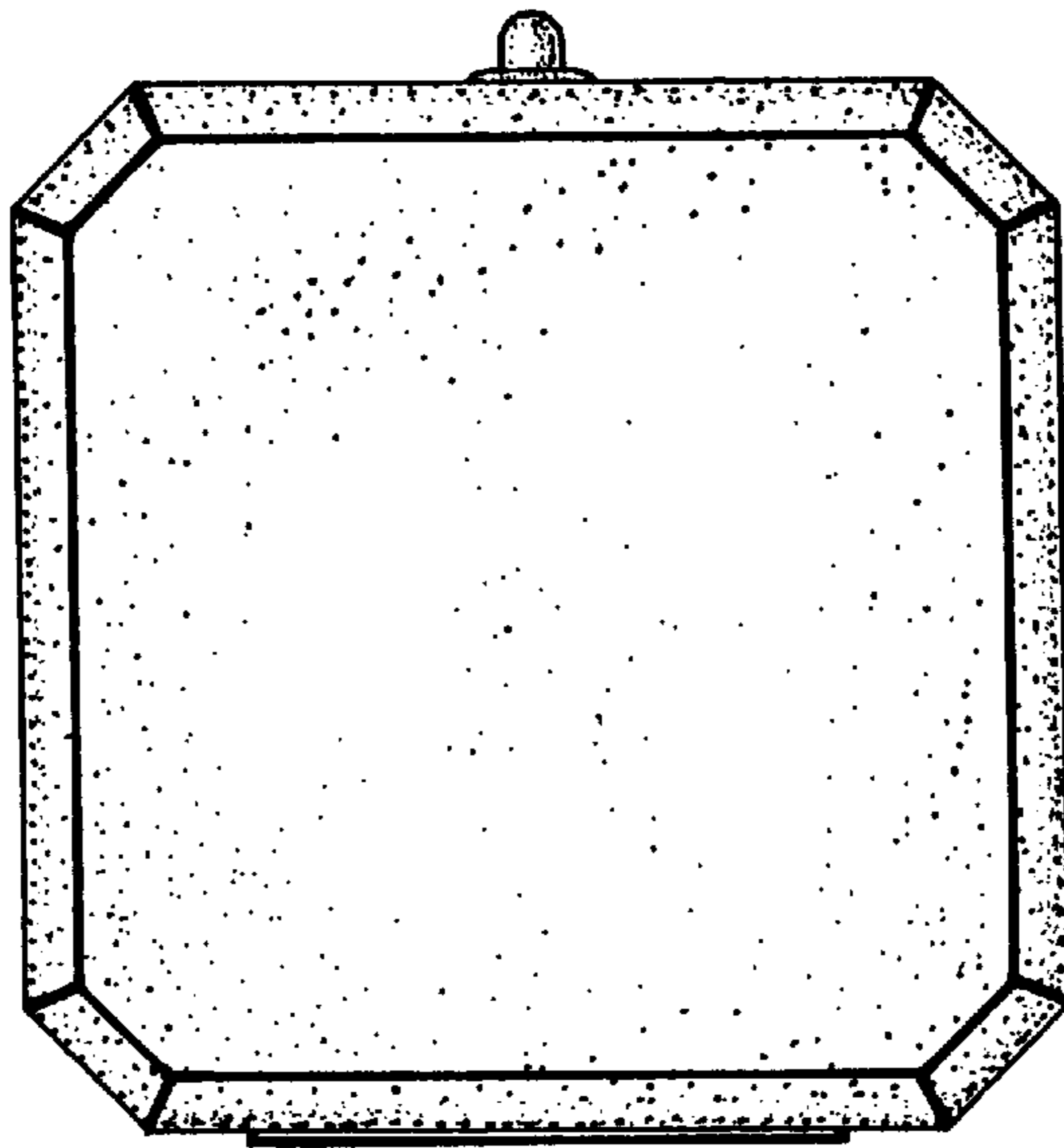


FIG. 7

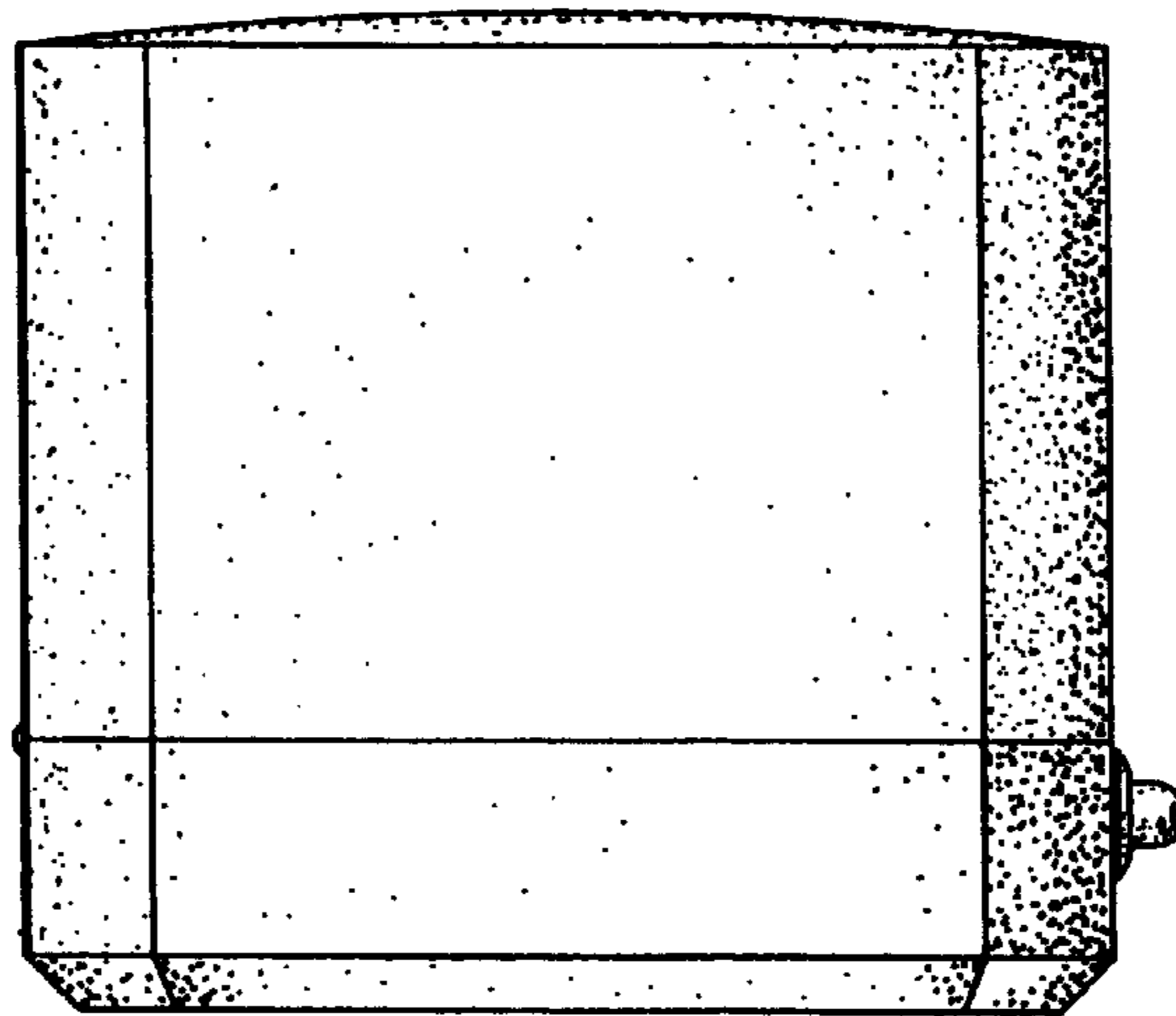


FIG. 8