



US00D401144S

United States Patent [19] Ohara

[11] **Patent Number: Des. 401,144**

[45] **Date of Patent: **Nov. 17, 1998**

[54] **APPLICATOR**

[75] Inventor: **Sozaburo Ohara**, Machida, Japan

[73] Assignee: **Taiho Industries Co., Ltd.**, Tokyo, Japan

[**] Term: **14 Years**

[21] Appl. No.: **70,174**

[22] Filed: **May 2, 1997**

[51] **LOC (6) Cl.** **09-03**

[52] **U.S. Cl.** **D9/338**

[58] **Field of Search** D9/337-339, 503, D9/517-520, 529, 571-575; D28/7, 76, 82; 401/95, 172, 175, 176, 179

[56] **References Cited**

U.S. PATENT DOCUMENTS

D. 308,476	6/1990	Rosenberg	D9/338
D. 317,832	7/1991	Demarest	D9/529 X
D. 321,596	11/1991	Zierhut	D9/338 X
D. 332,914	2/1993	Stephens	D9/338
D. 374,741	10/1996	Devereaux	D9/337 X

Primary Examiner—Ted Shooman

Assistant Examiner—Nanda Bondade

Attorney, Agent, or Firm—Stetina Brunda Garred & Brucker

[57] **CLAIM**

The ornamental design for an applicator, as shown and described.

DESCRIPTION

FIG. 1 is a top and right perspective view of an applicator showing my new design;

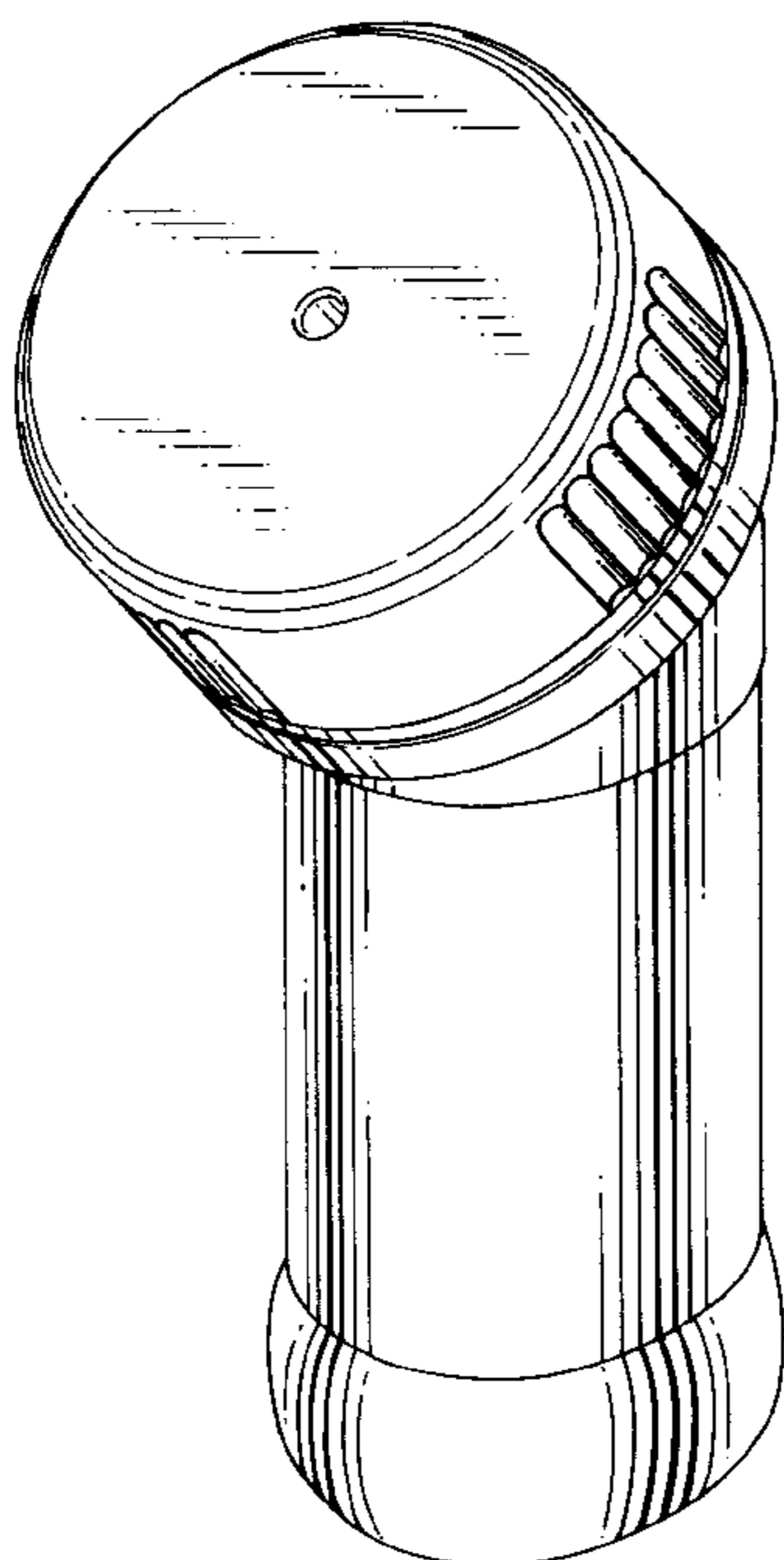


FIG. 2 is a front elevational view thereof;

FIG. 3 is a rear elevational view thereof;

FIG. 4 is a right side elevational view thereof;

FIG. 5 is a left side elevational view thereof;

FIG. 6 is a top plan view thereof;

FIG. 7 is a bottom plan view thereof;

FIG. 8 is a sectional view thereof, taken along line 8—8 in FIG. 3;

FIG. 9 is a front elevational view of the main body thereof, shown separably for clarity of illustration;

FIG. 10 is a rear elevational view of FIG. 9;

FIG. 11 is a right side elevational view of FIG. 9;

FIG. 12 is a left side elevational view of FIG. 9;

FIG. 13 is a top plan view of FIG. 9;

FIG. 14 is a bottom plan view of FIG. 9;

FIG. 15 is a front elevational view of the cap, shown separably for clarity of illustration;

FIG. 16 is a rear elevational view of FIG. 15;

FIG. 17 is a right side elevational view of FIG. 15;

FIG. 18 is a left side elevational view of FIG. 15;

FIG. 19 is a cross sectional view taken along line 19—19 in FIG. 17;

FIG. 20 is a top plan view of FIG. 15; and,

FIG. 21 is a bottom plan view of FIG. 15.

1 Claim, 7 Drawing Sheets

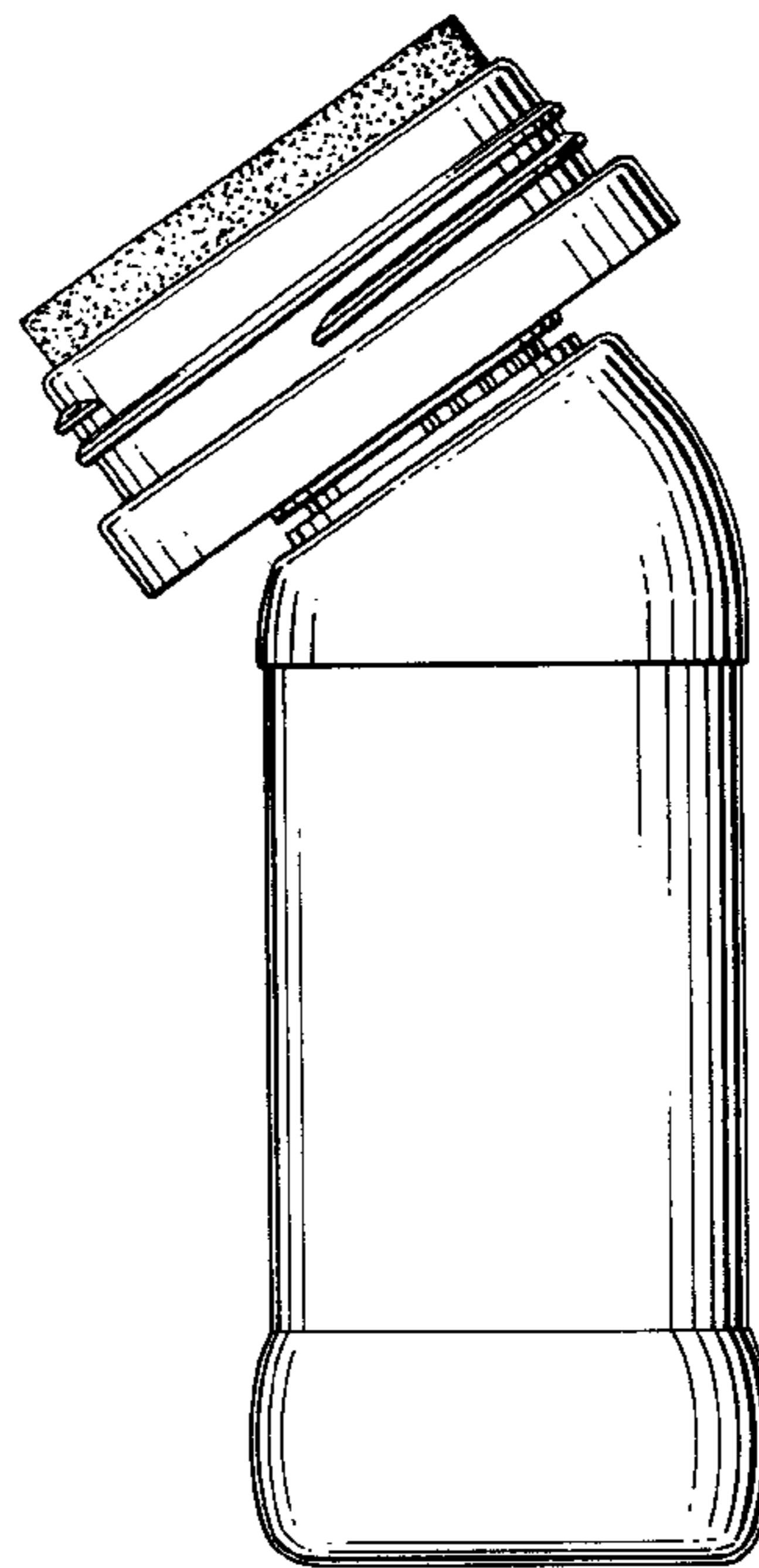


FIG. 1

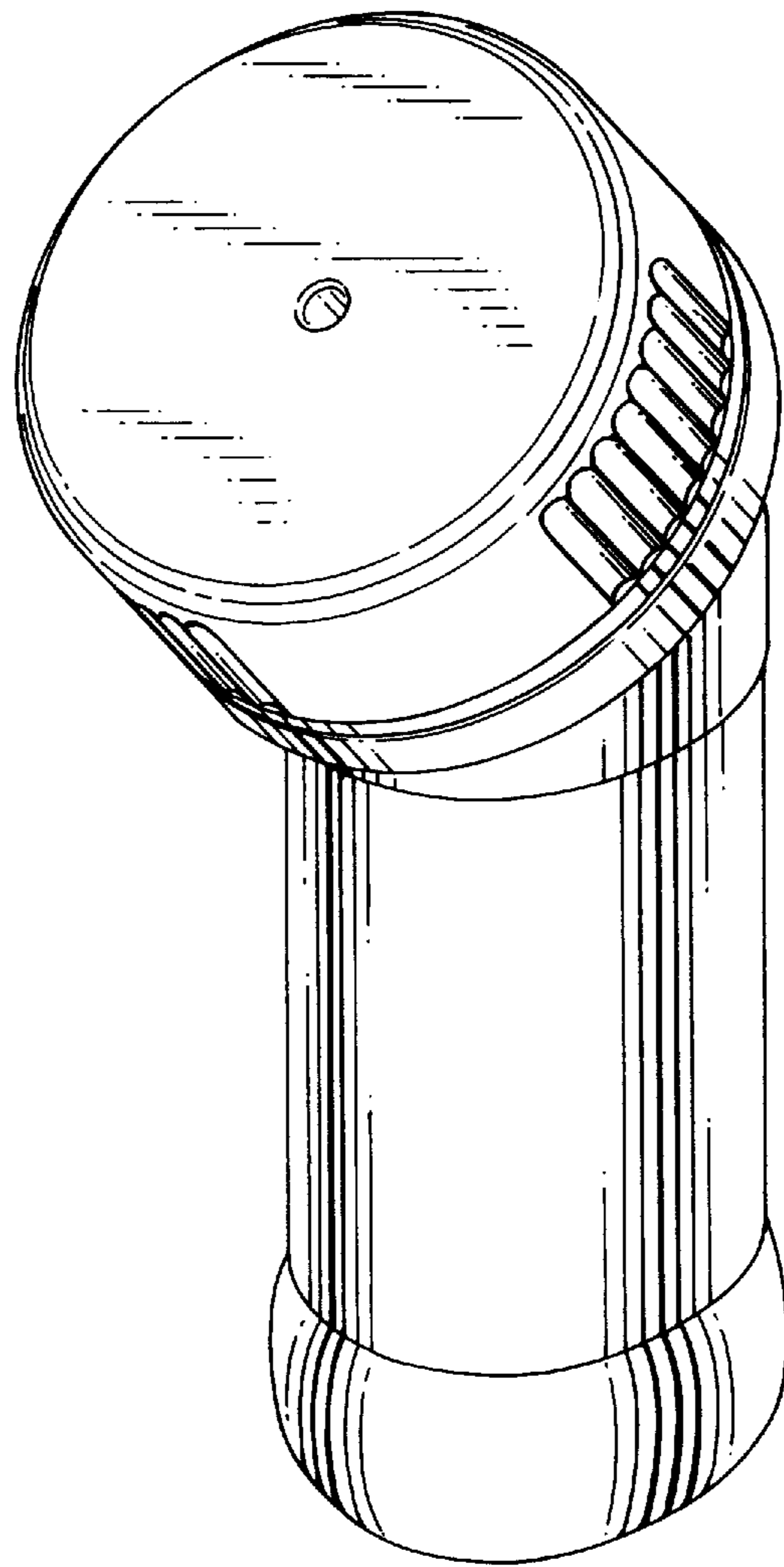


FIG. 2

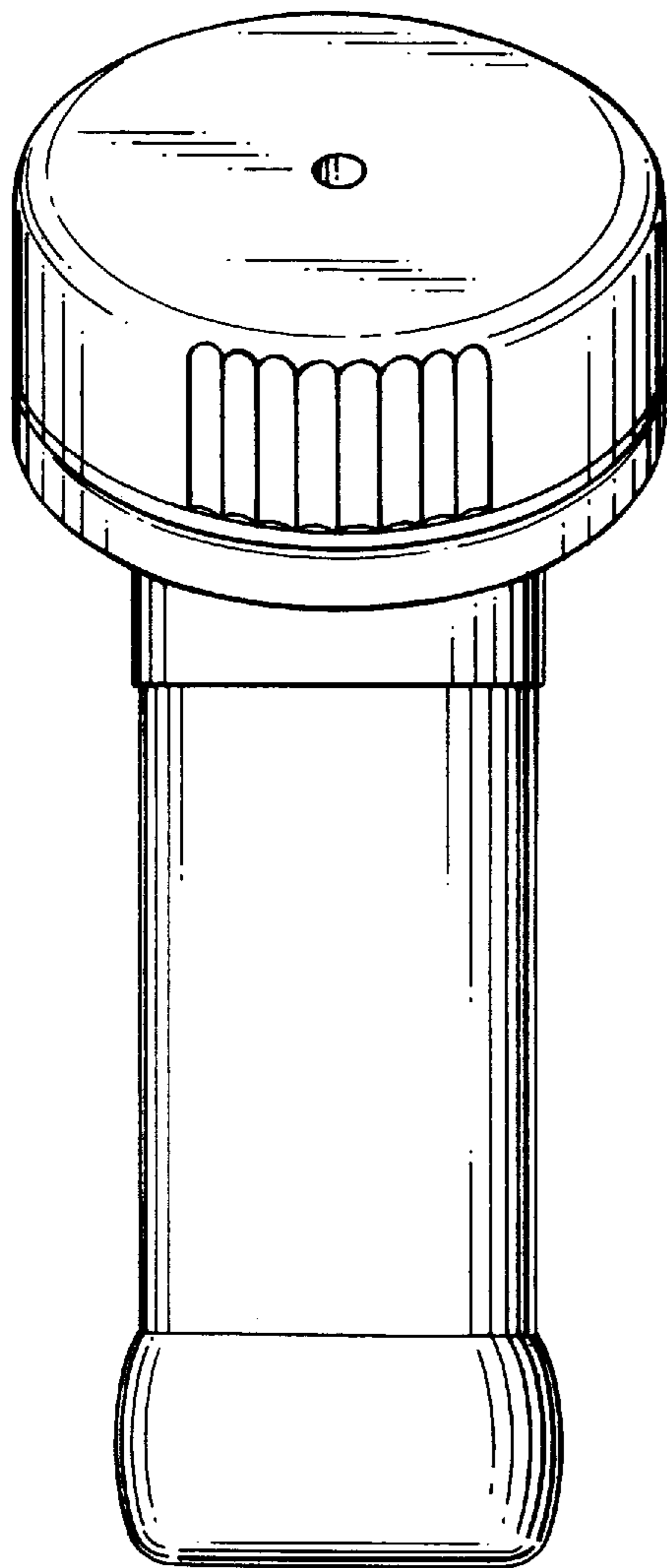


FIG. 3

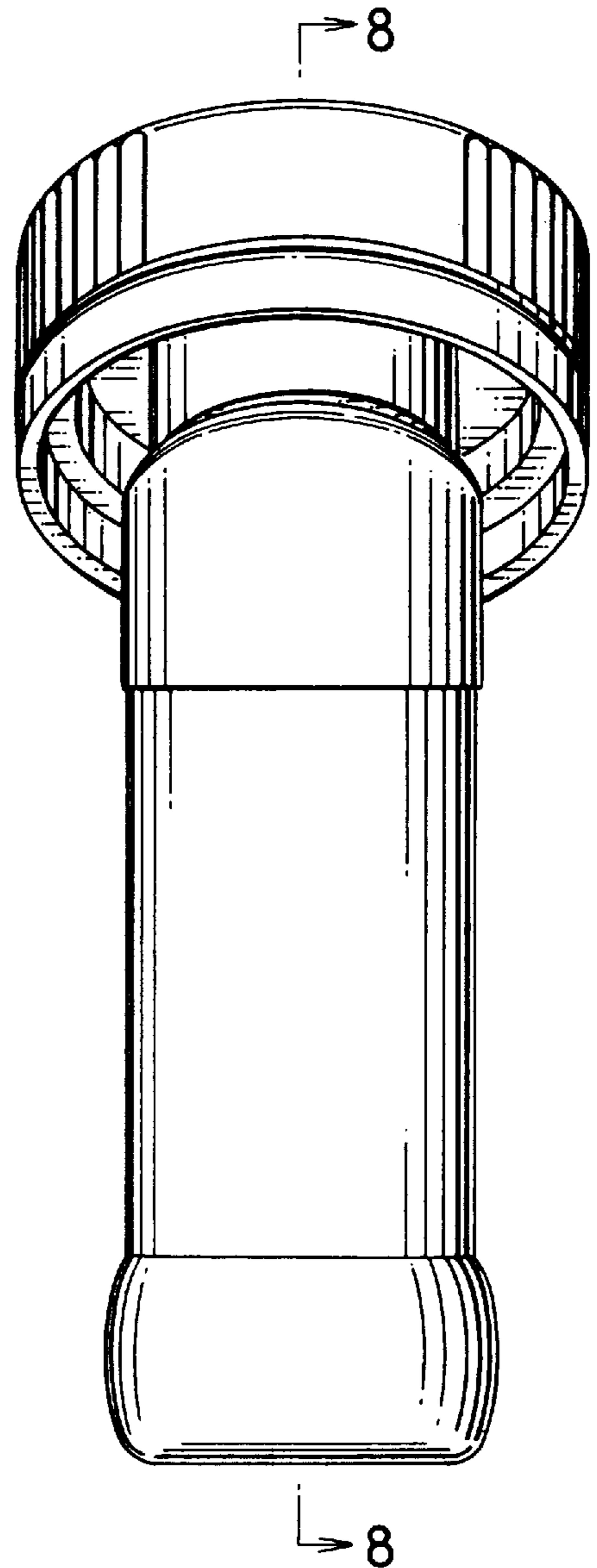


FIG. 4

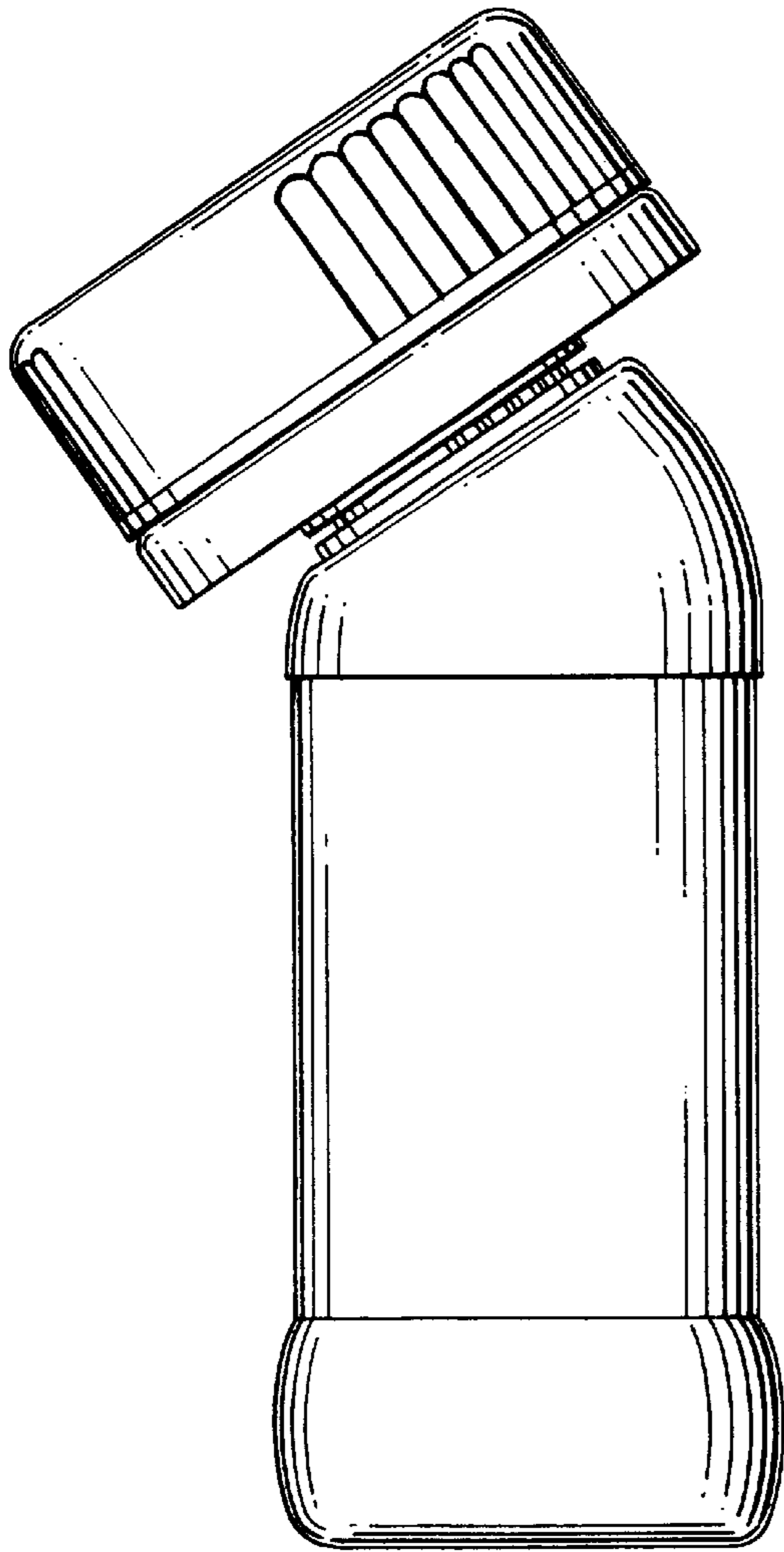


FIG. 5

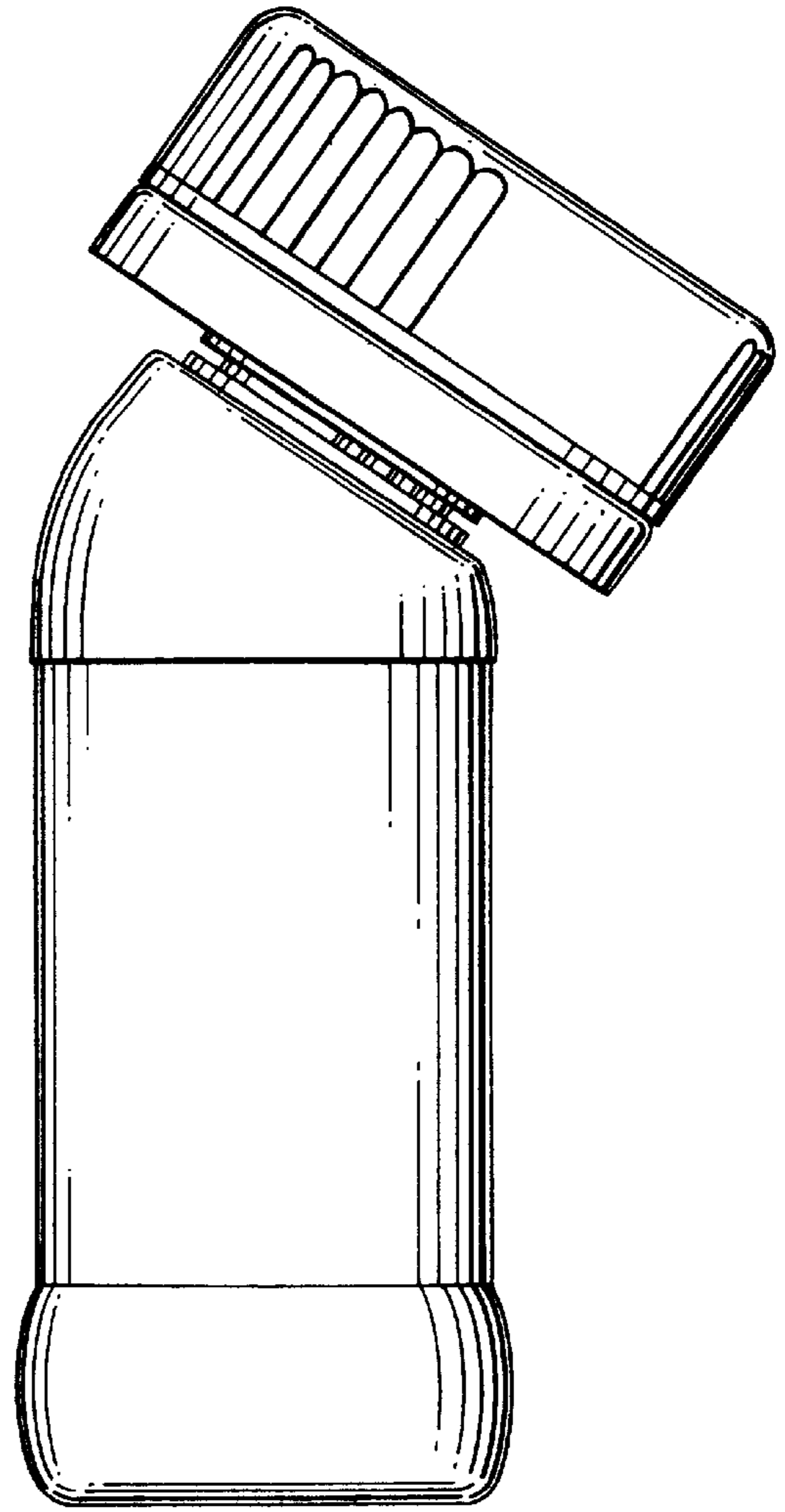


FIG. 6

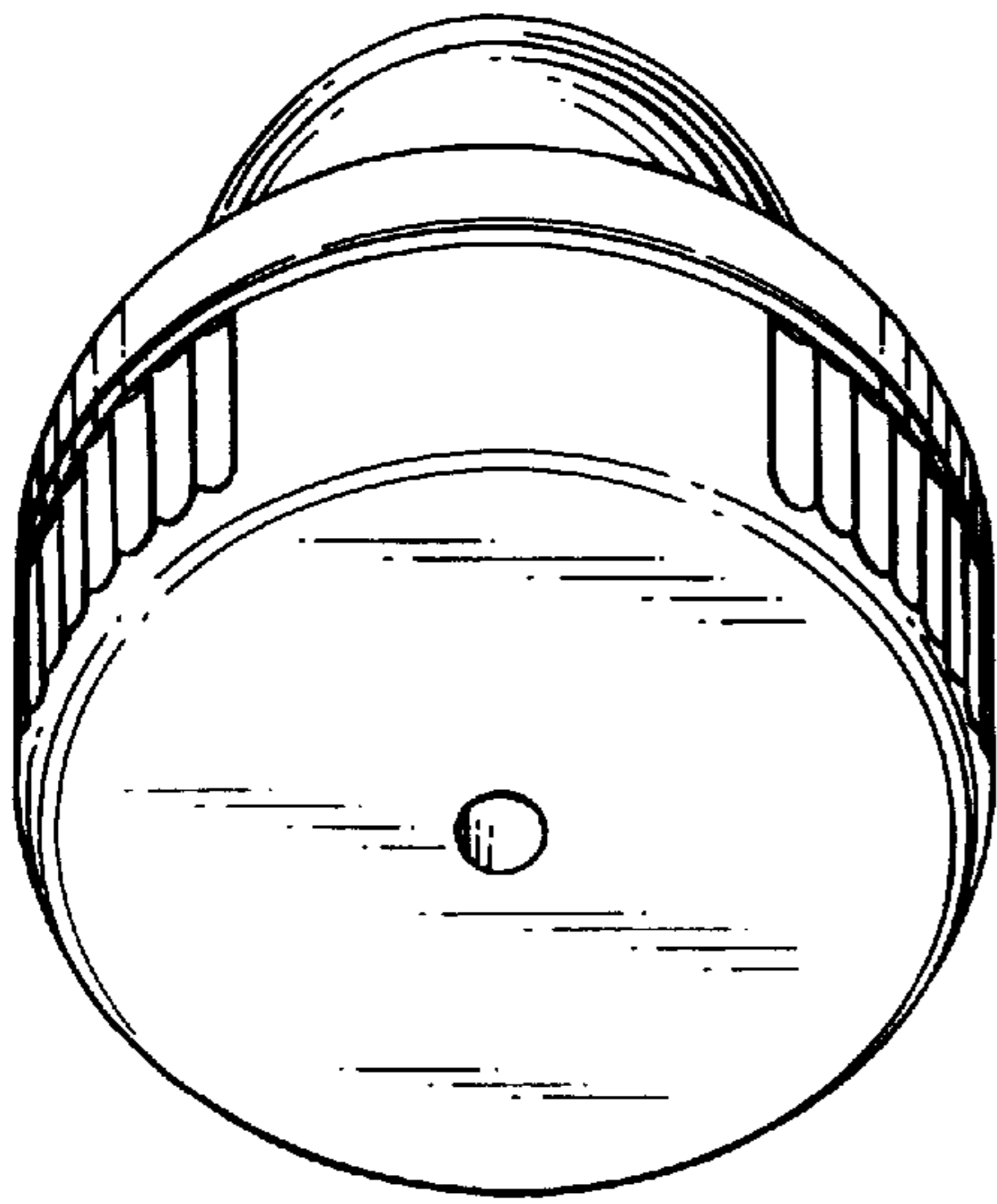


FIG. 8

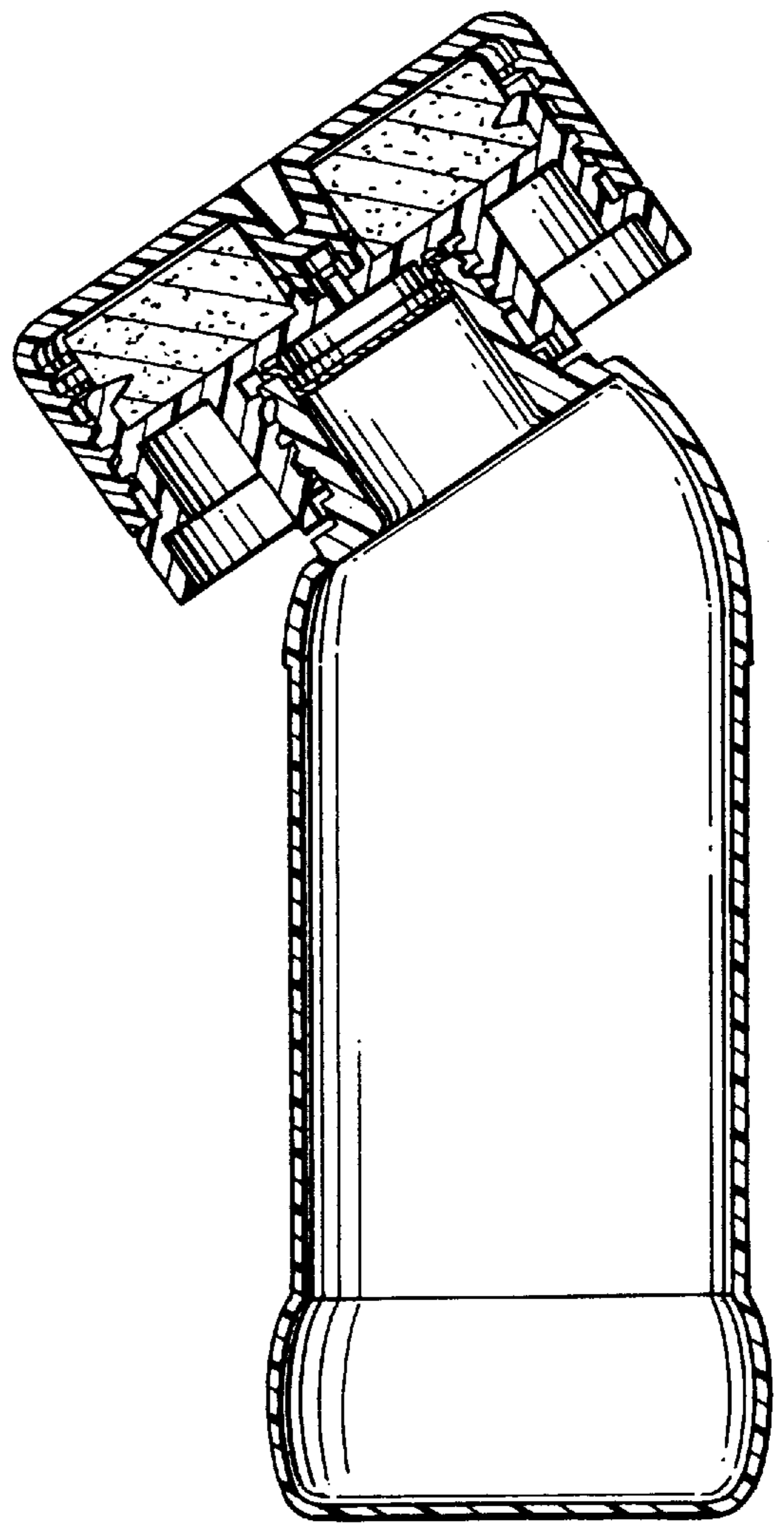


FIG. 7

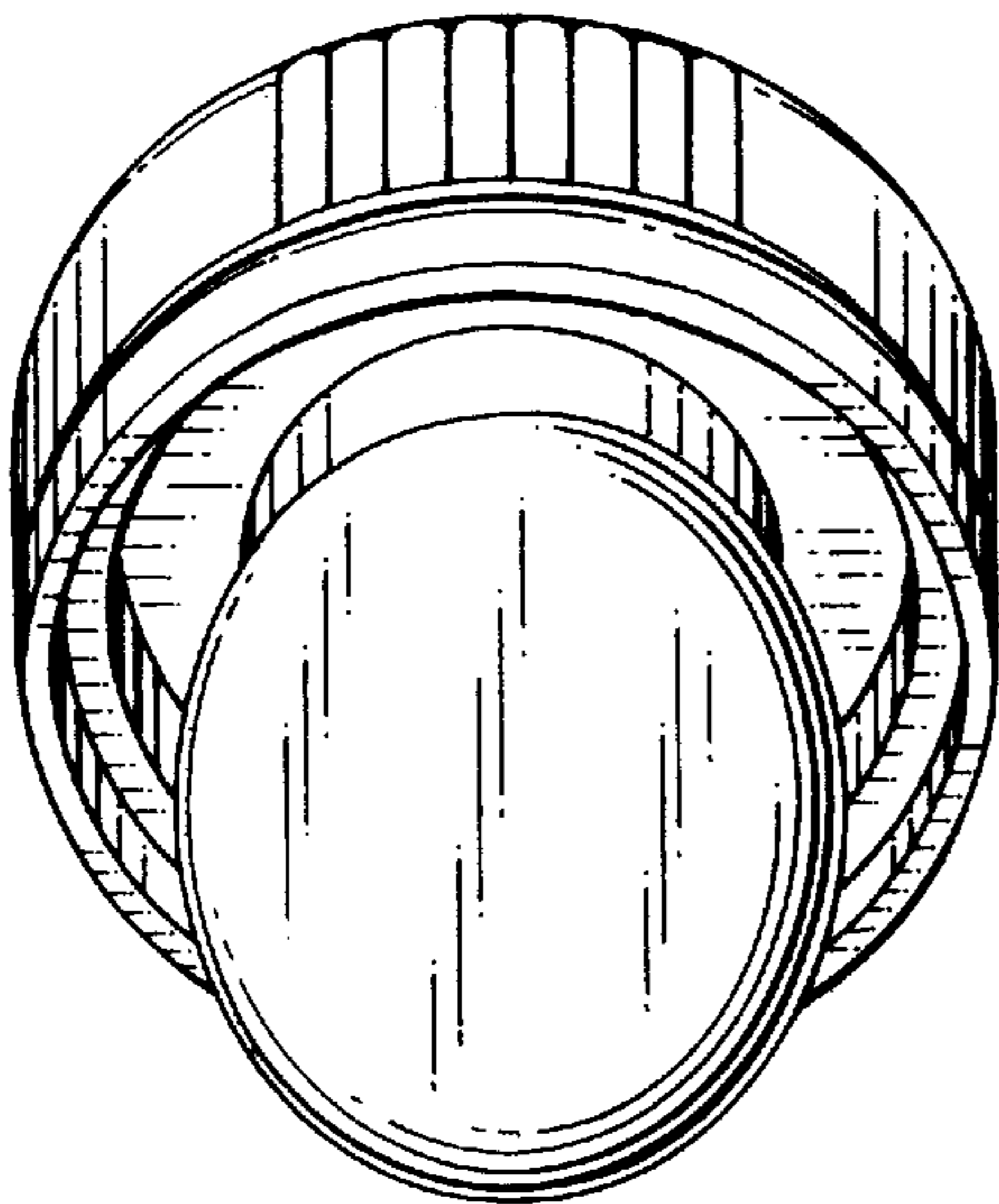


FIG. 9

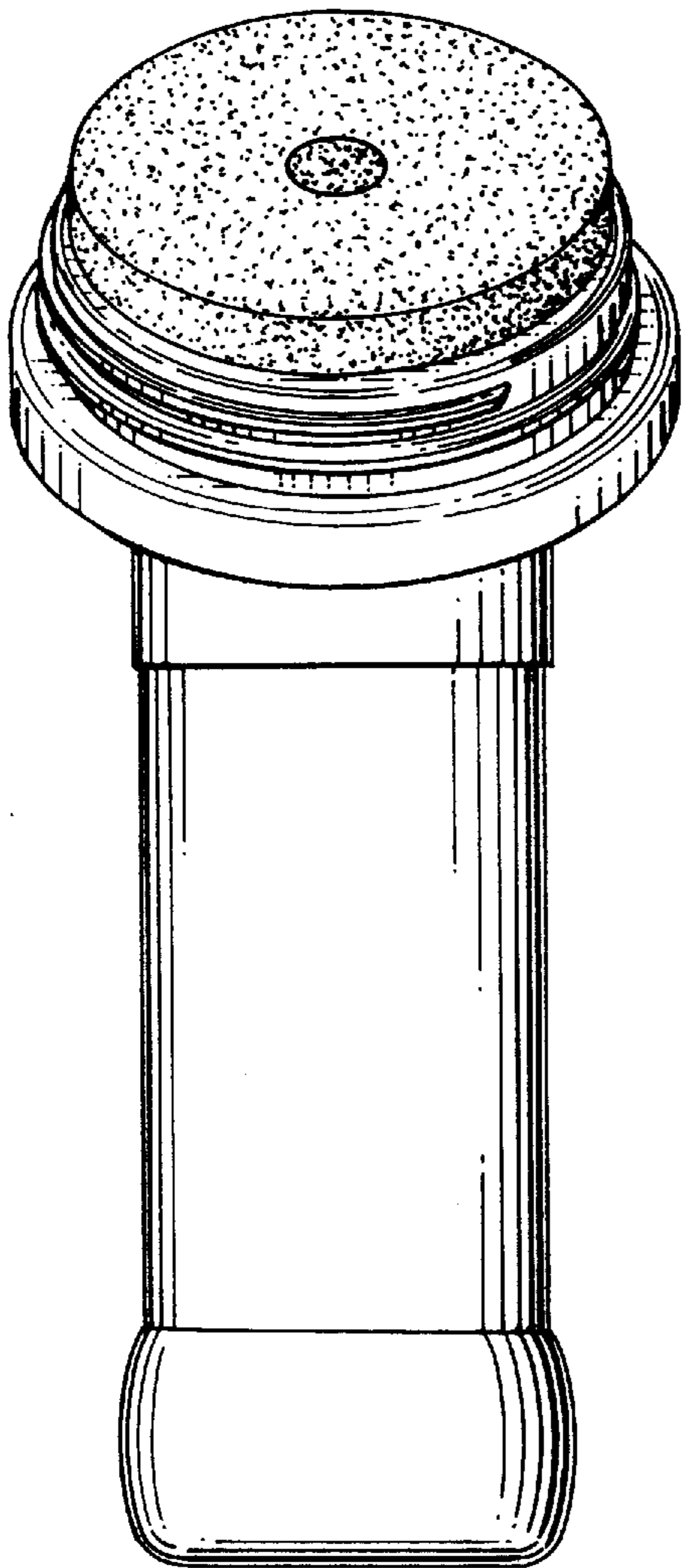


FIG. 10

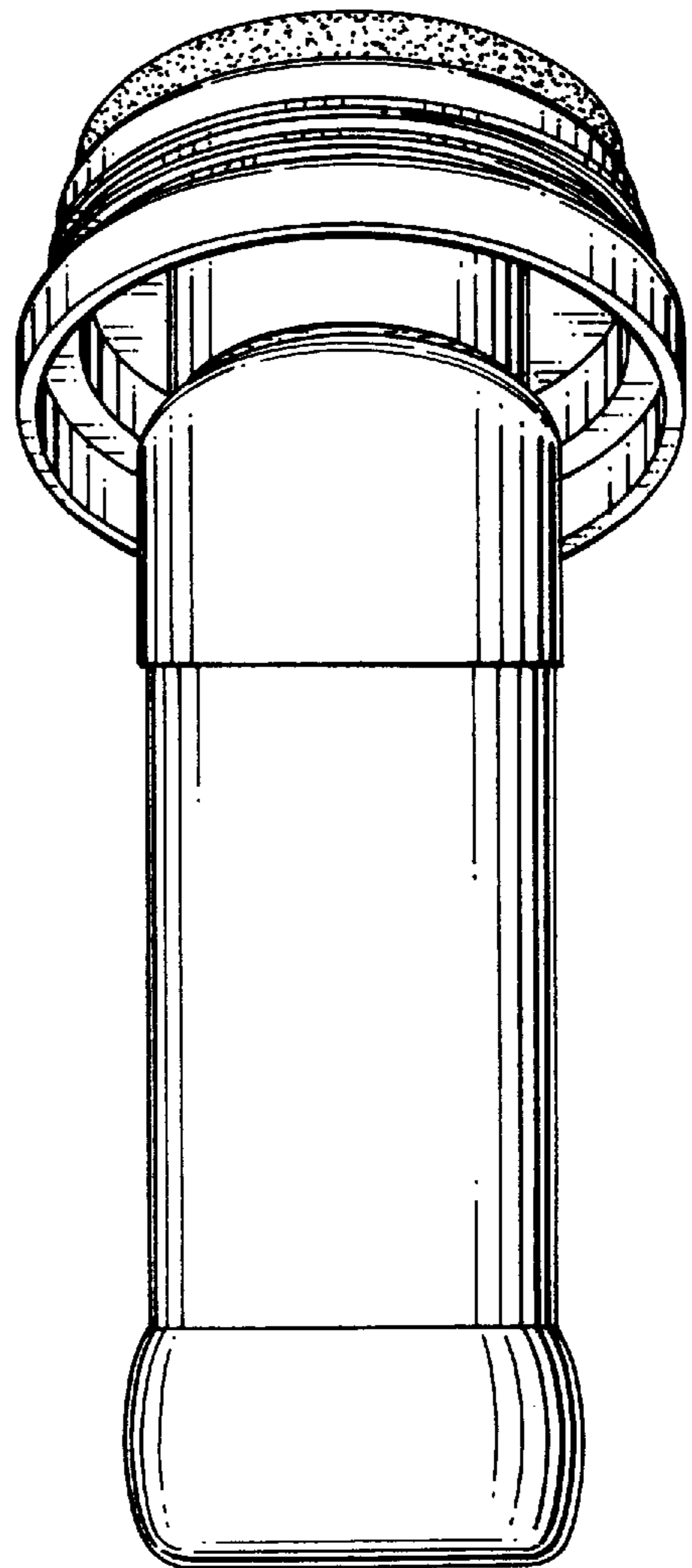


FIG. 11

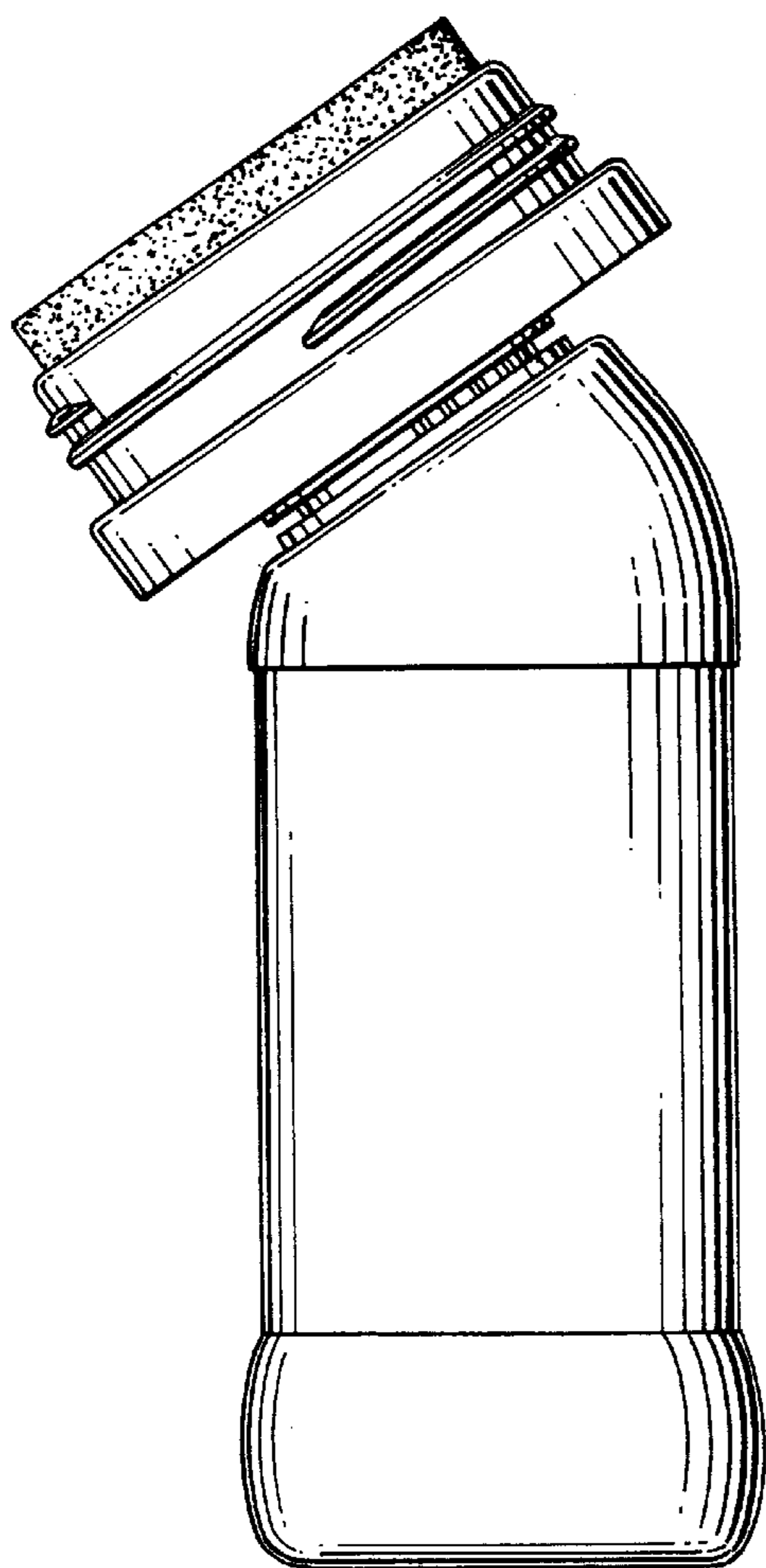


FIG. 12

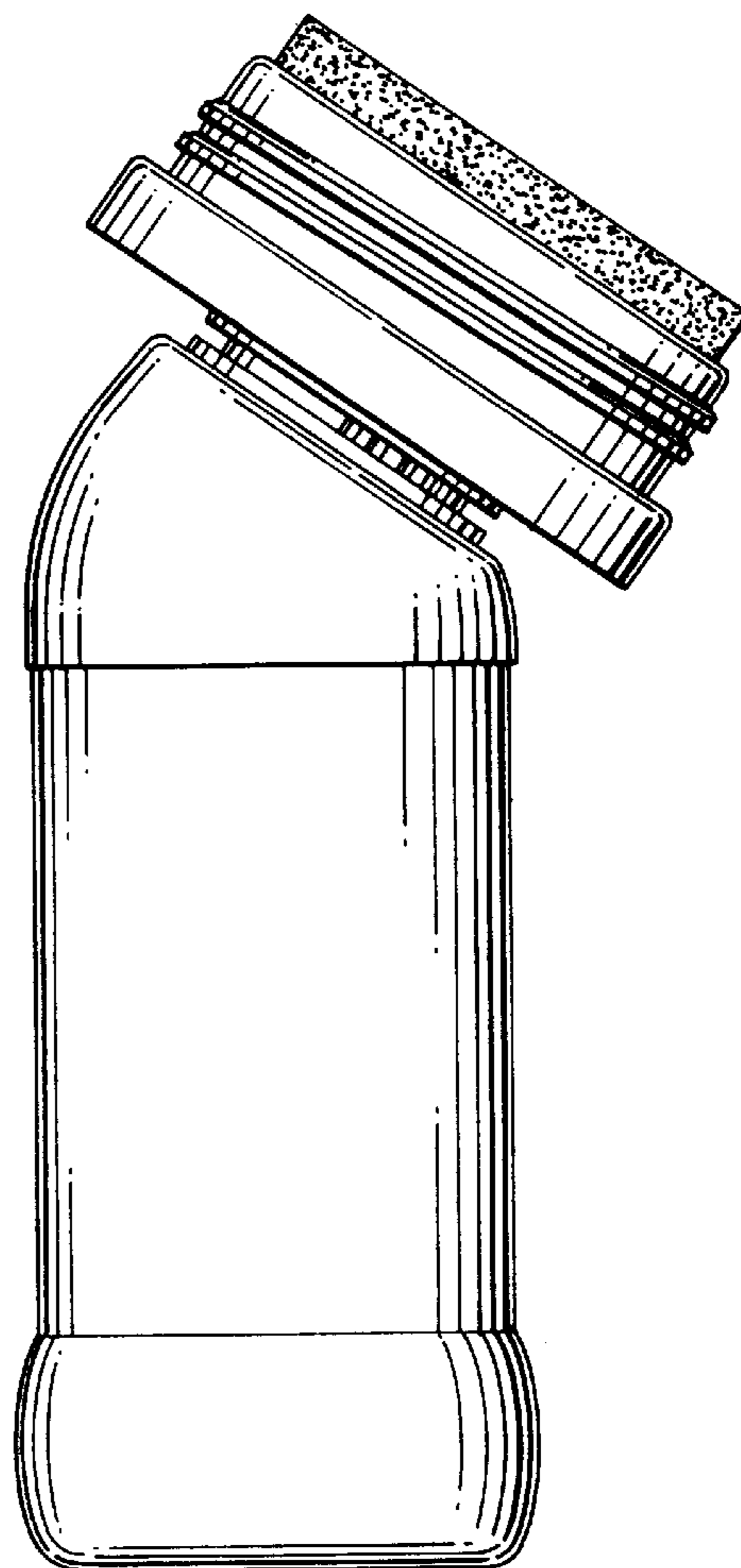


FIG. 13

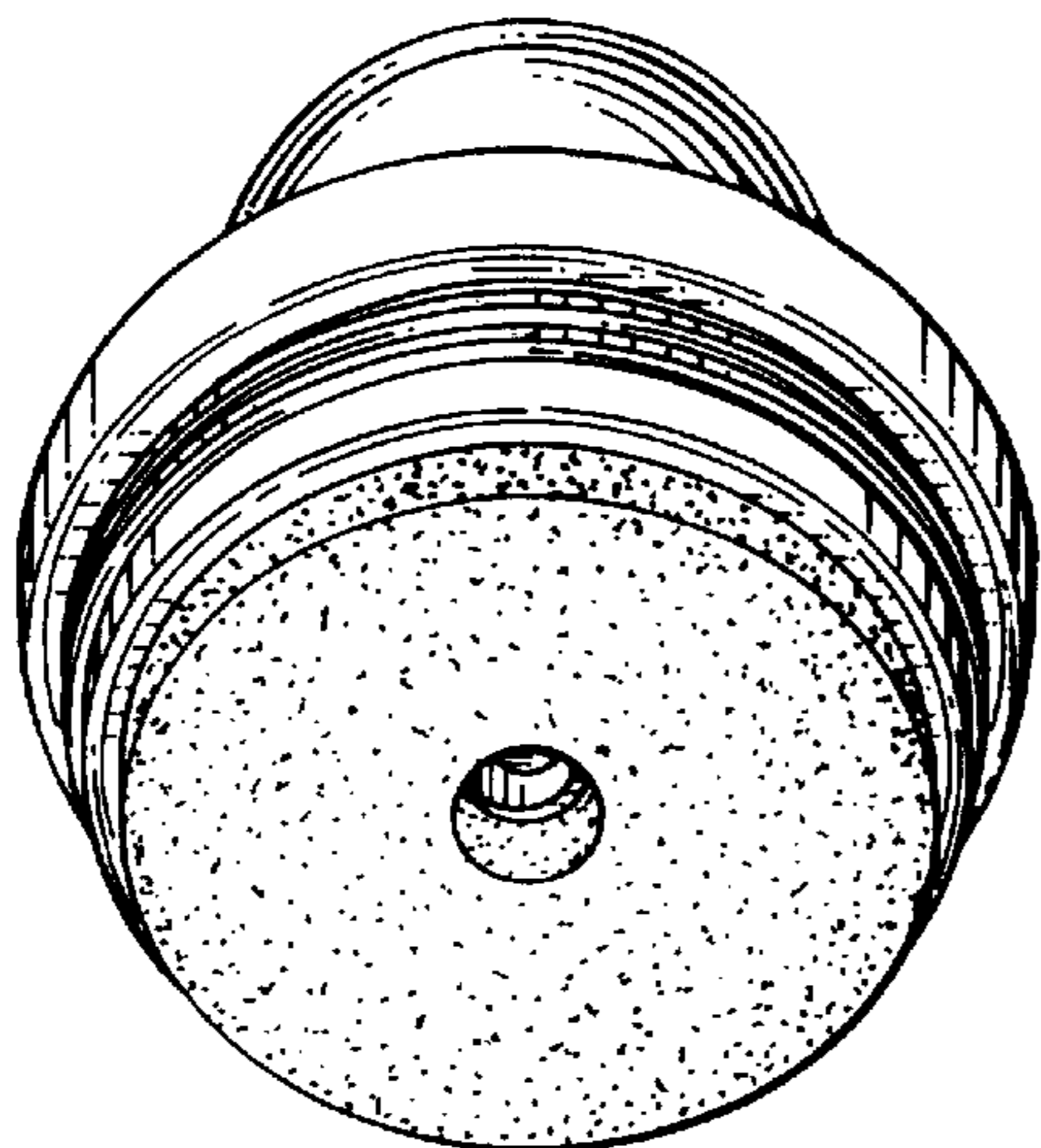


FIG. 14

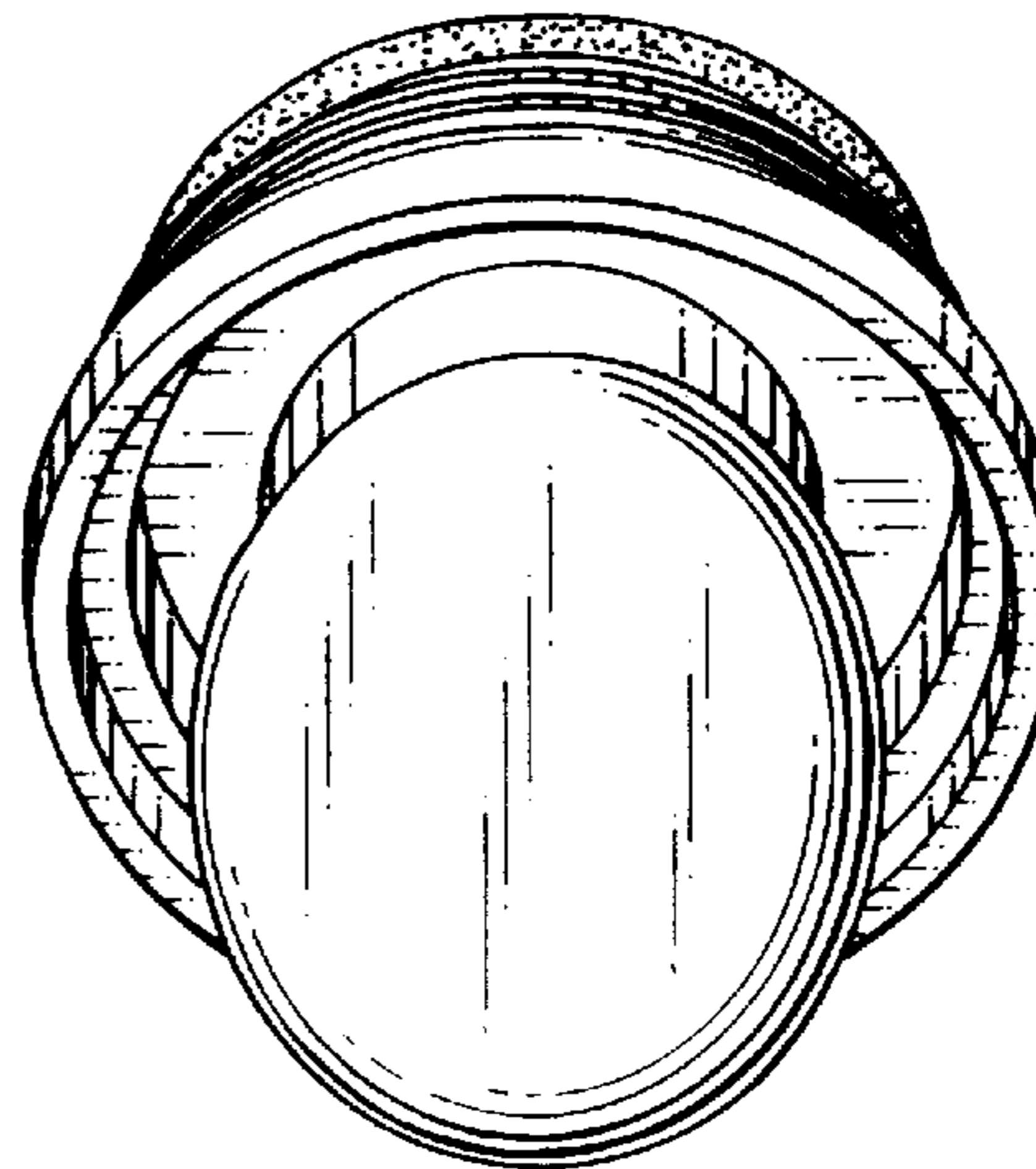


FIG. 15

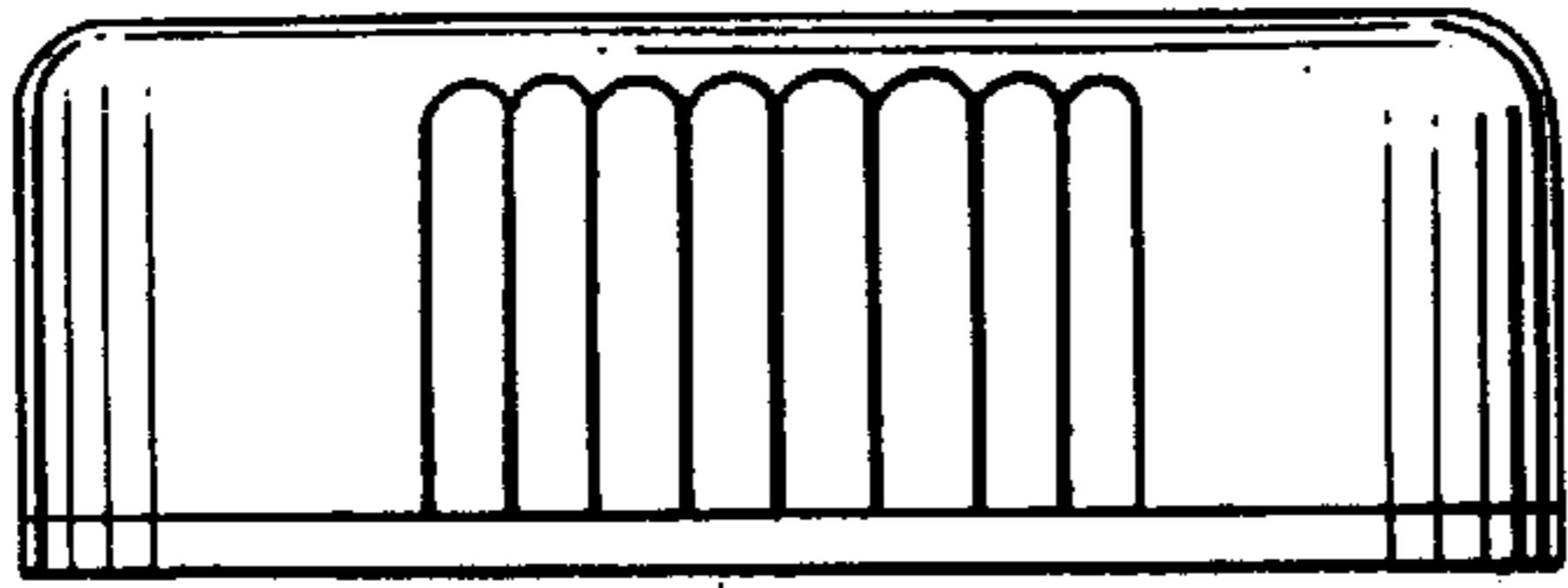


FIG. 16

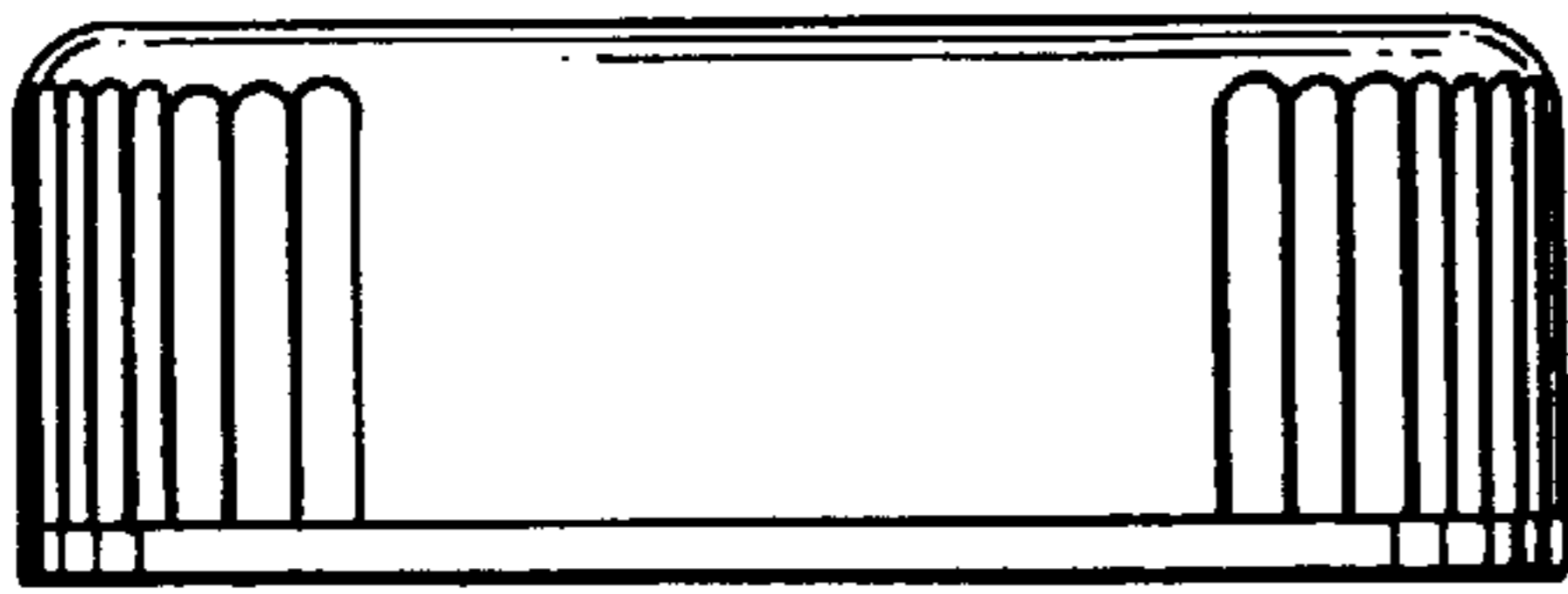


FIG. 17

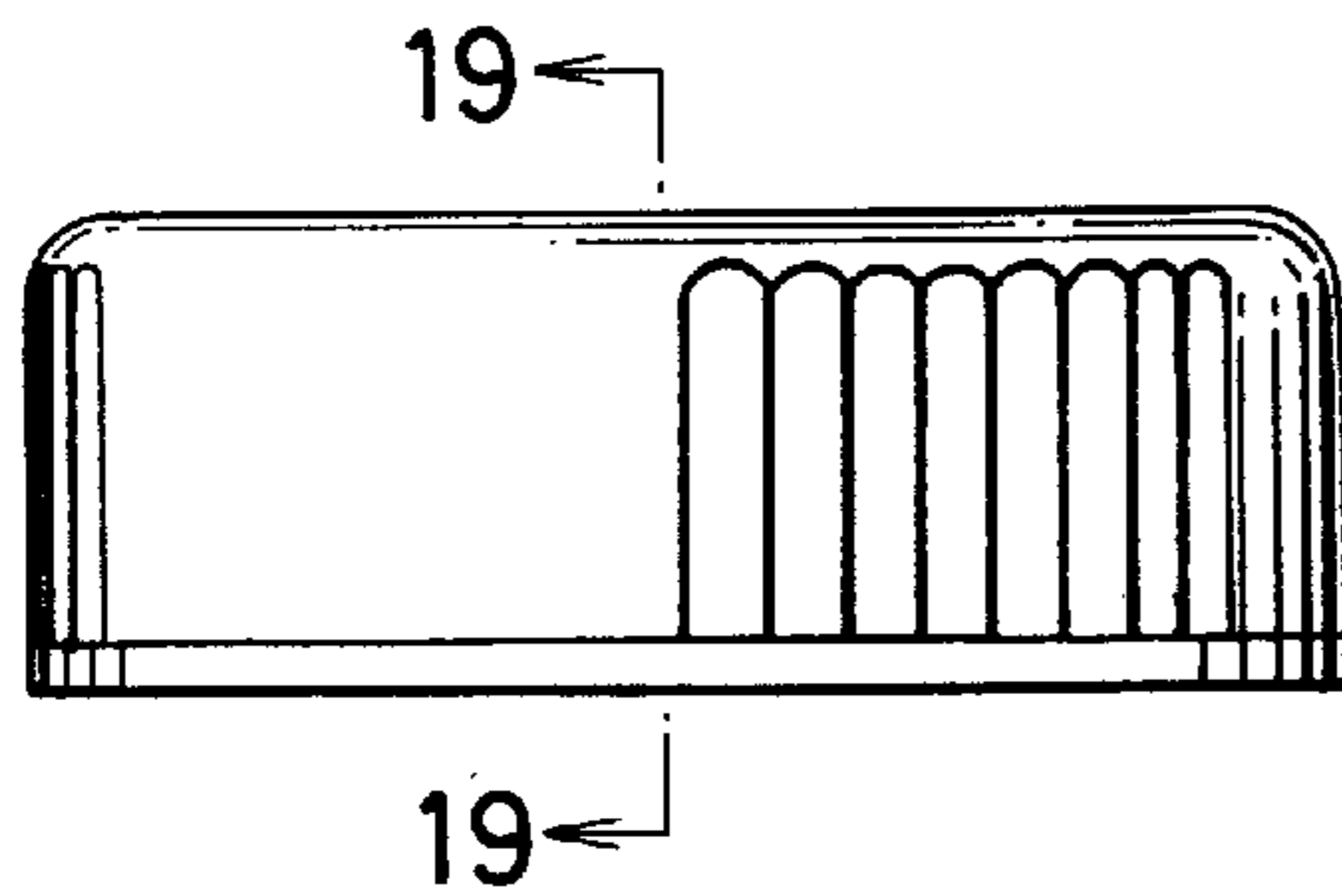


FIG. 18

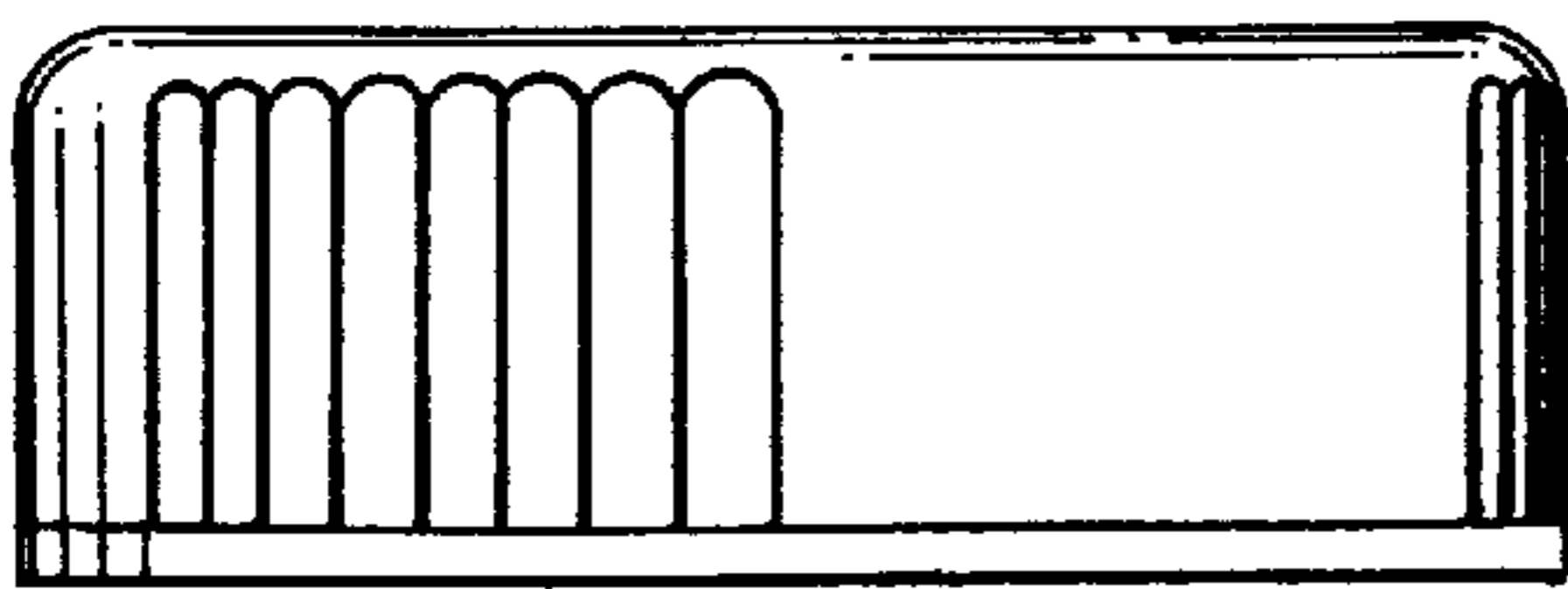


FIG. 19

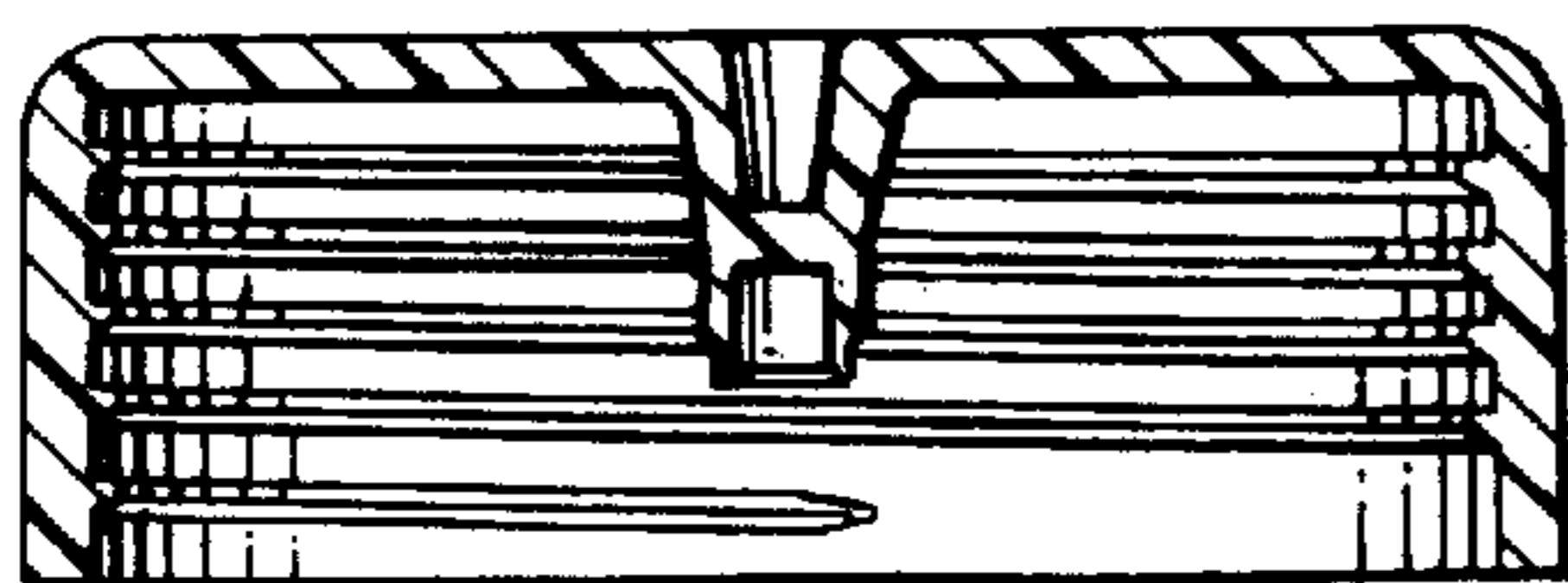


FIG. 20

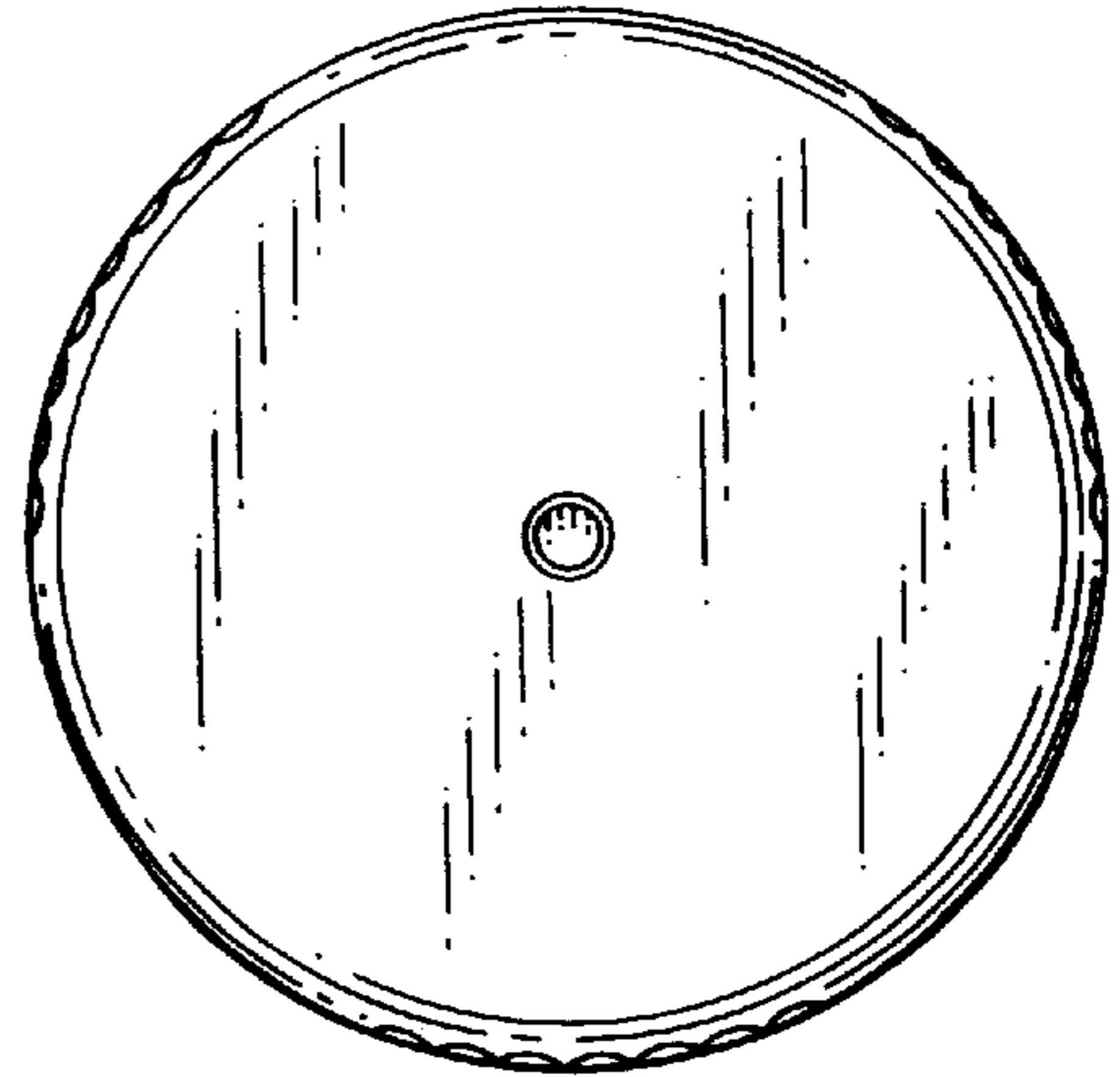


FIG. 21

