



US00D401142S

United States Patent [19]
Adamek

[11] **Patent Number: Des. 401,142**

[45] **Date of Patent: **Nov. 17, 1998**

[54] **SHOE-SHAPED CARTON FOR CARRY-OUT TYPE FOOD**

[75] Inventor: **David J. Adamek**, River Falls, Wis.

[73] Assignee: **Flour City Packaging Corporation**, Minneapolis, Minn.

[**] Term: **14 Years**

[21] Appl. No.: **46,041**

[22] Filed: **Nov. 6, 1995**

[51] **LOC (6) Cl.** **09-03**

[52] **U.S. Cl.** **D9/319; D9/307; D3/271**

[58] **Field of Search** **D9/319, 307, 414, D9/432; D2/897, 898, 902, 912; 229/116.1; 206/457, 278; D3/271**

[56] **References Cited**

U.S. PATENT DOCUMENTS

D. 285,902	9/1986	Fuidio	D9/319
D. 337,723	7/1993	Cordeiro	D9/319
D. 339,680	9/1993	Hodges, Jr.	D3/271
D. 344,626	3/1994	Landa	D3/271
D. 345,462	3/1994	Davidson	D3/271 X
D. 348,389	7/1994	Nigro	D9/319
2,180,653	11/1939	Yancey et al.	D9/319 X
3,749,232	7/1973	Craig	206/278

OTHER PUBLICATIONS

Avon Campaign 15, 1975, p. 56, Shoe-shaped container,
Primary Examiner—Martie K. Holtje
Attorney, Agent, or Firm—Merchant, Gould, Smith, Edell,
Welter & Schmidt, P.A.

[57] **CLAIM**

The ornamental design for a shoe-shaped carton for carry-out type food, as shown and described.

DESCRIPTION

FIG. 1 is a front perspective view of a shoe-shaped carton for carry-out type food showing my new design;
FIG. 2 is a front elevational view thereof;
FIG. 3 is a rear elevational view thereof;
FIG. 4 is a left side elevational view thereof;
FIG. 5 is a right side elevational view thereof;
FIG. 6 is a top plan view thereof;
FIG. 7 is a bottom plan view thereof;
FIG. 8 is a front perspective view of a second embodiment of my new design of FIG. 1;
FIG. 9 is a front elevational view thereof;
FIG. 10 is a rear elevational view thereof;
FIG. 11 is a left side elevational view thereof;
FIG. 12 is a right side elevational view thereof;
FIG. 13 is a top plan view thereof; and,
FIG. 14 is a bottom plan view thereof.

1 Claim, 12 Drawing Sheets

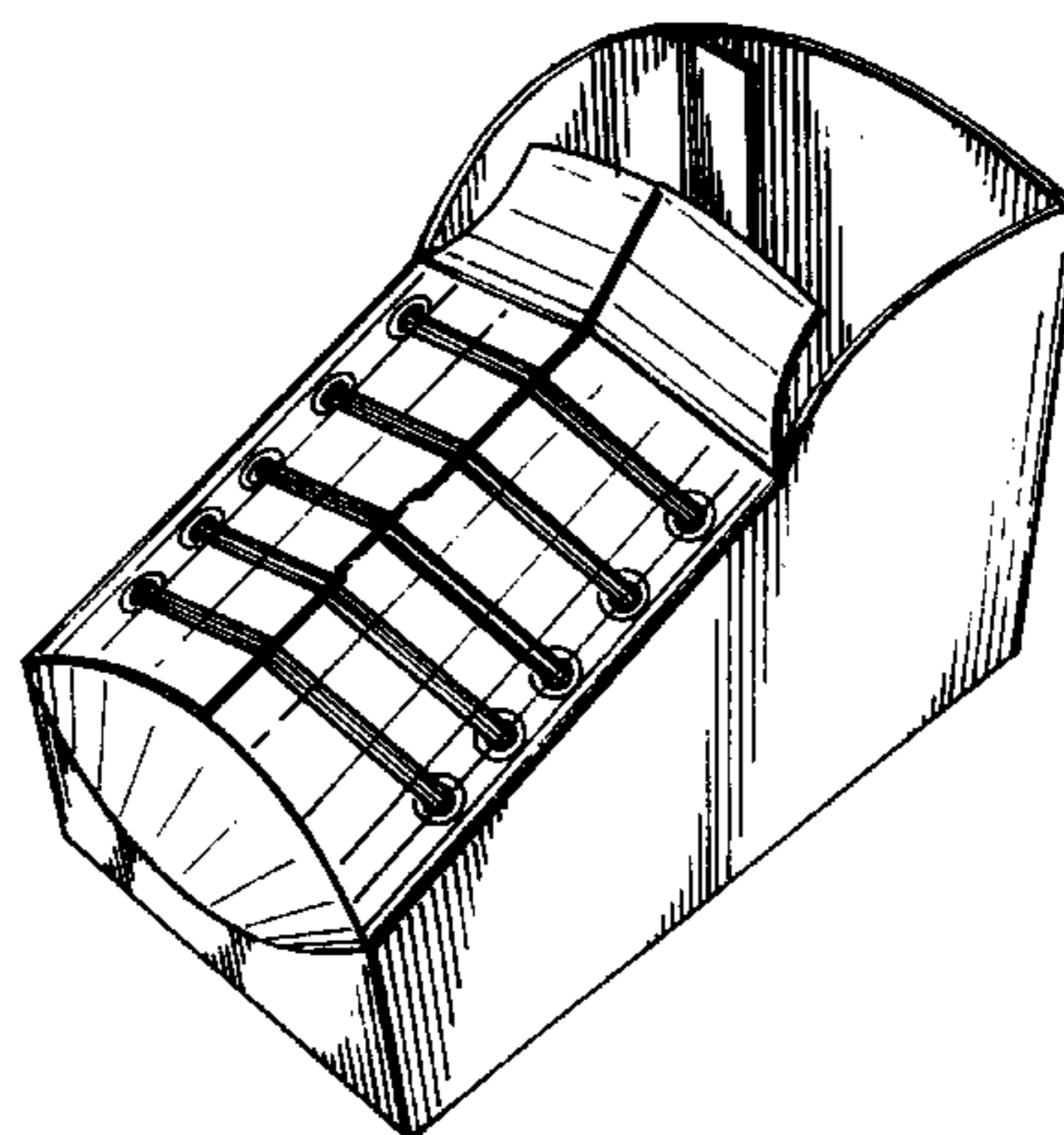
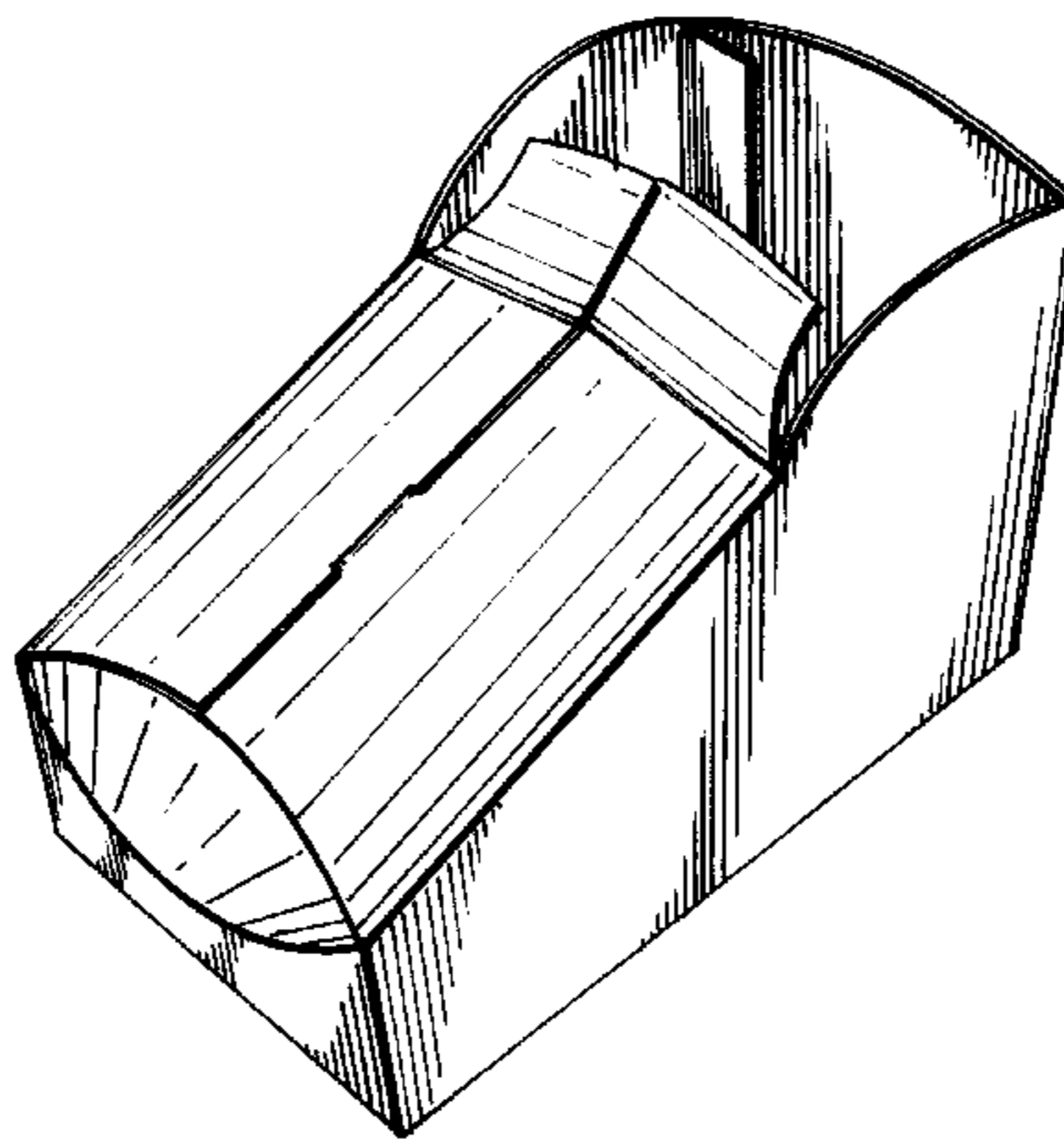


FIG. 1

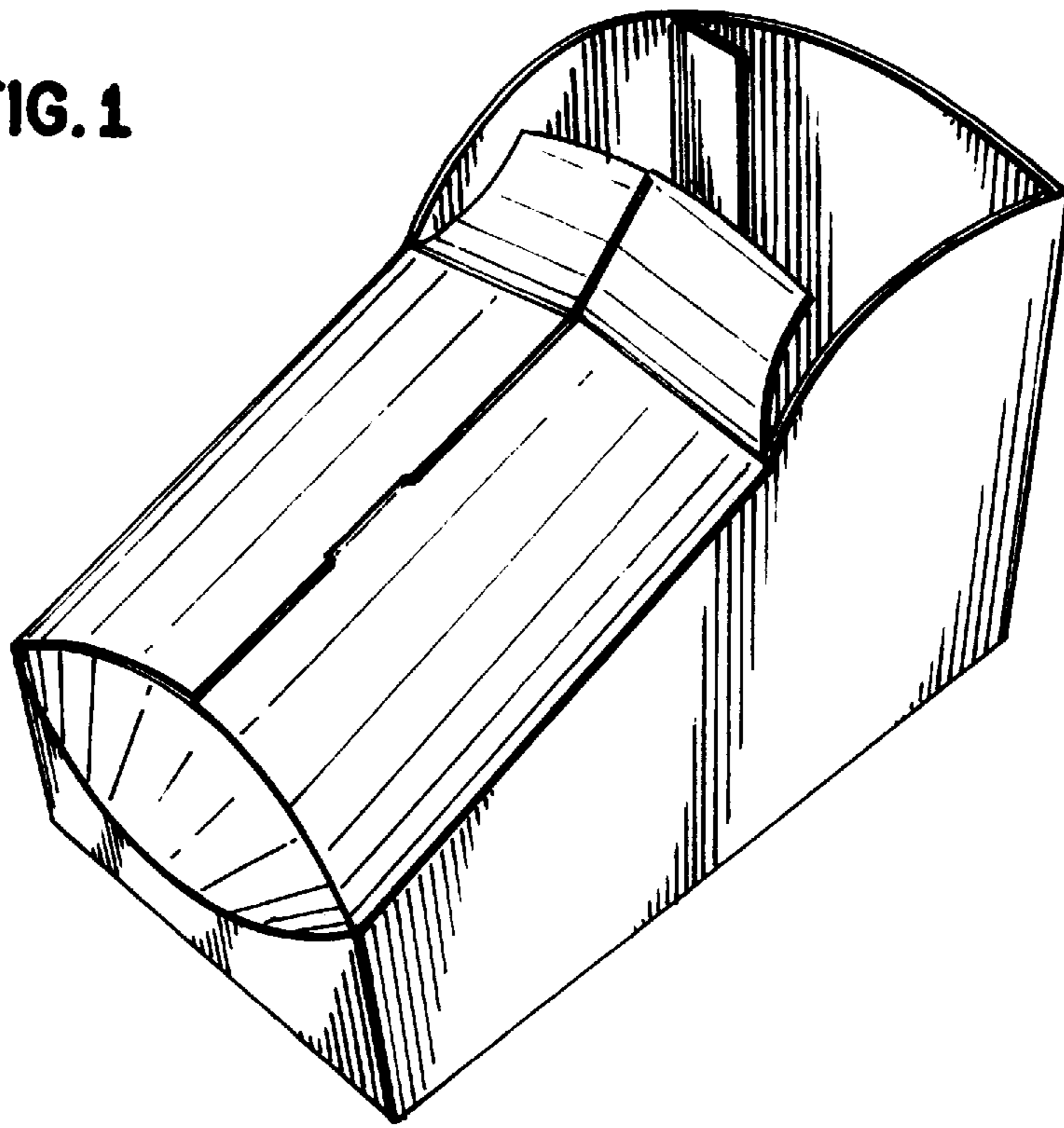


FIG. 2

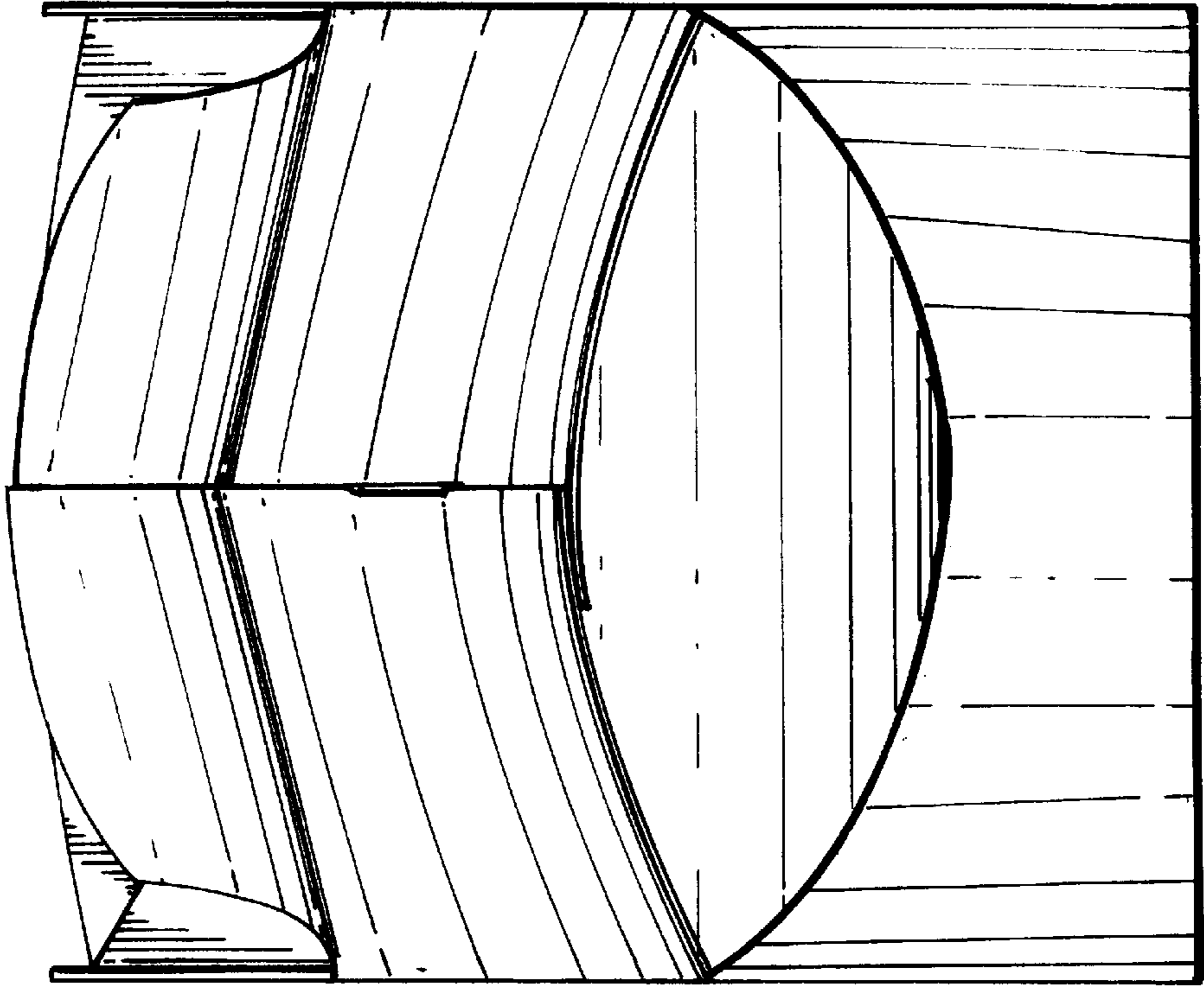


FIG. 3

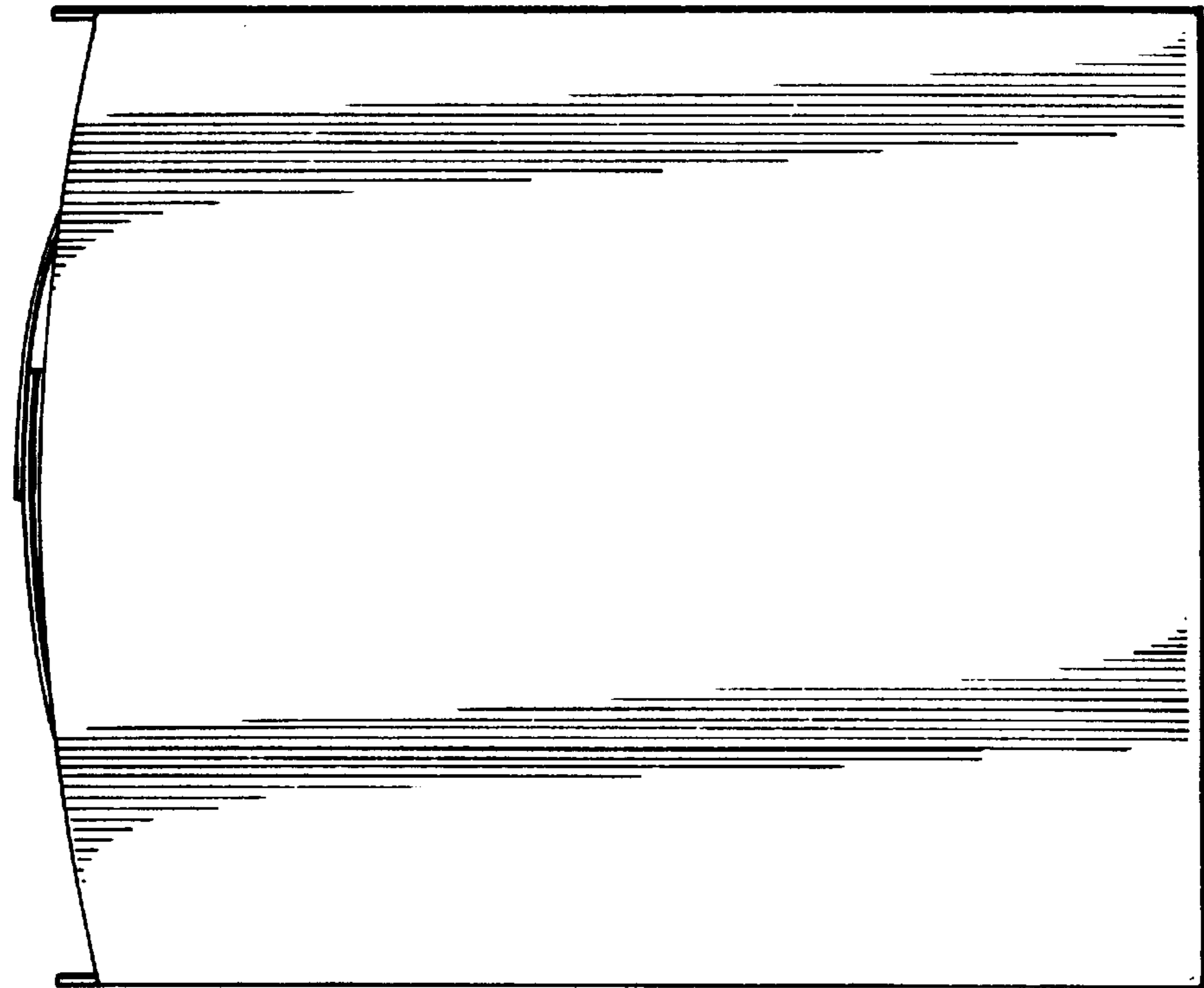
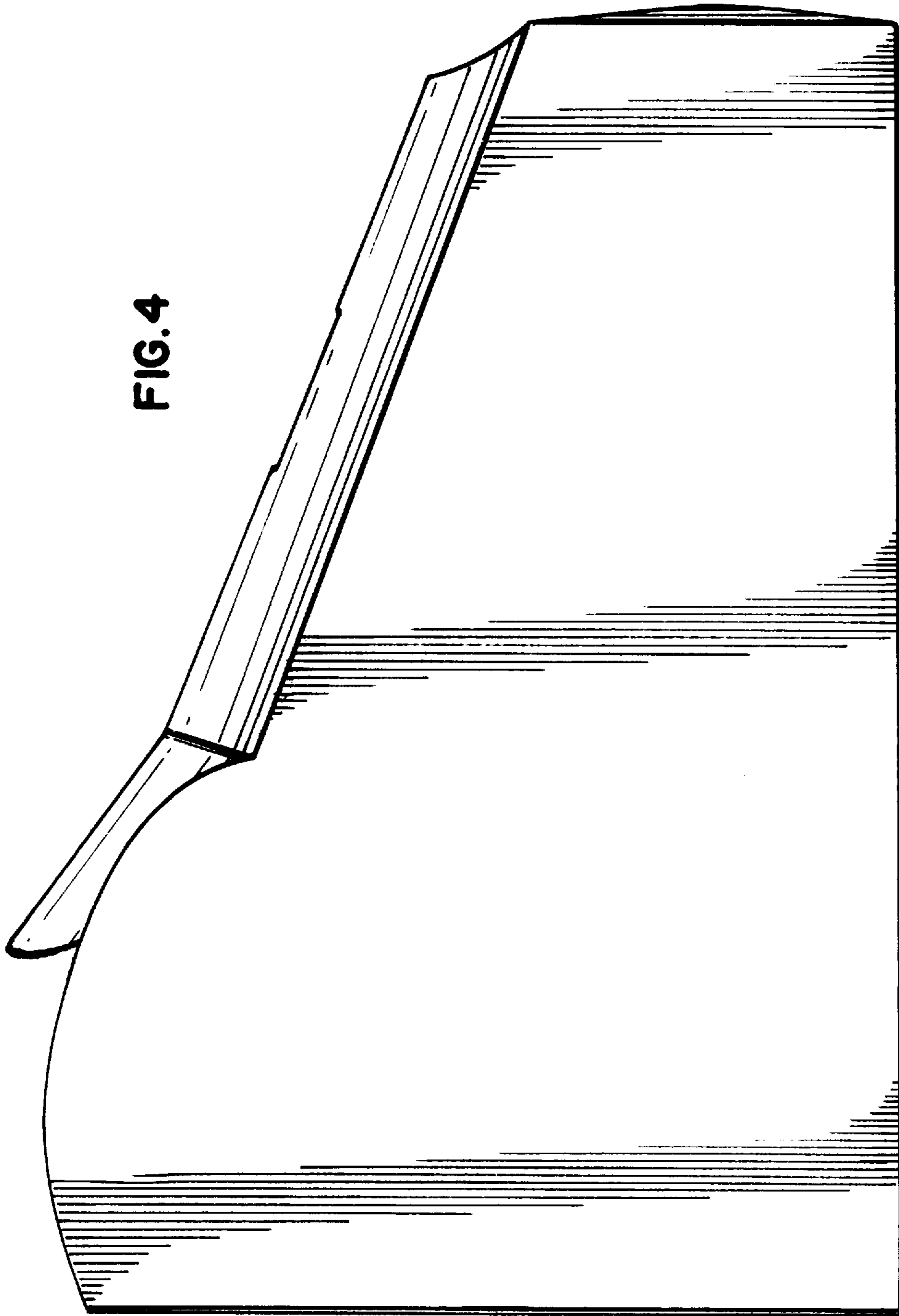


FIG. 4



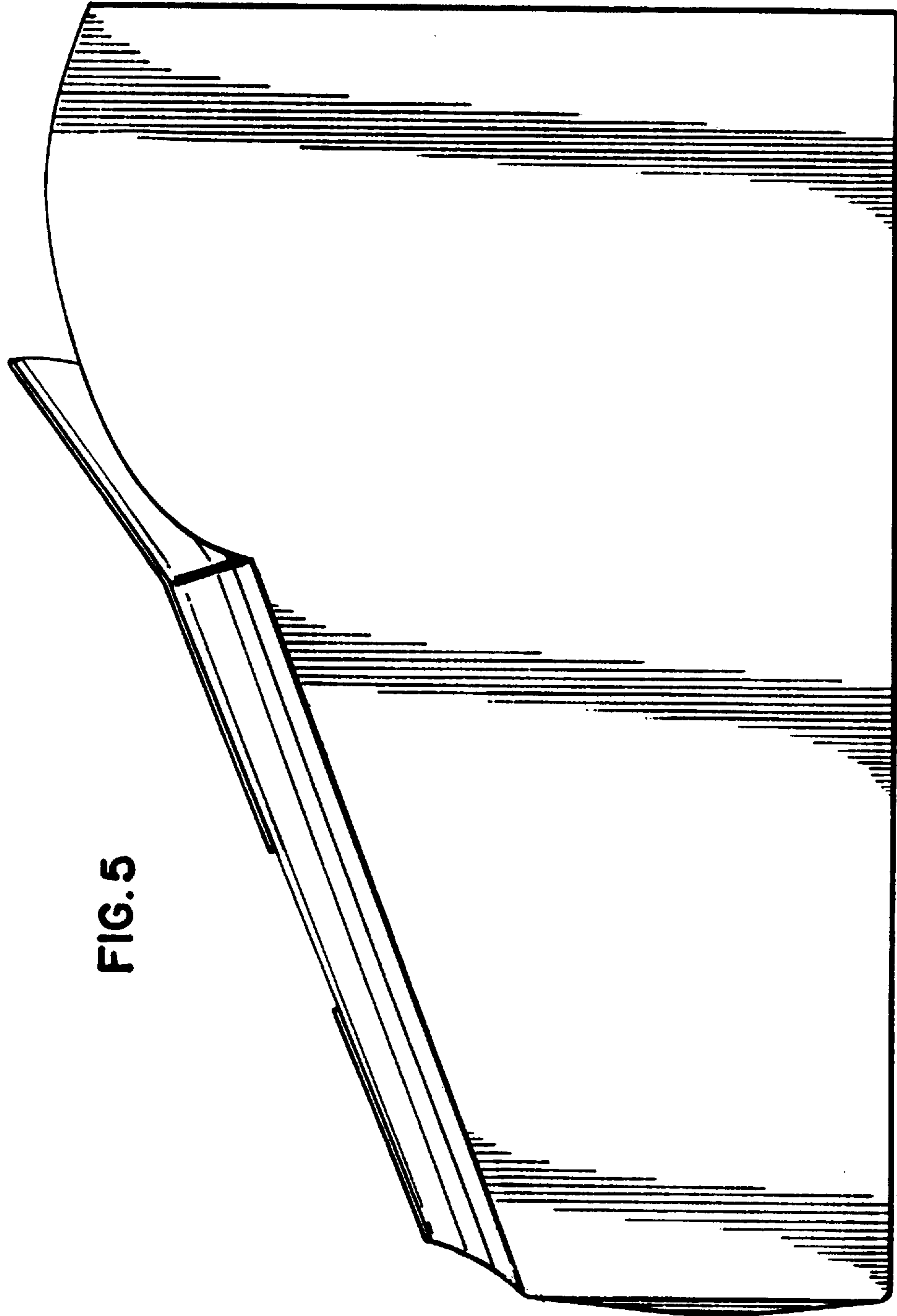


FIG. 5

FIG. 6

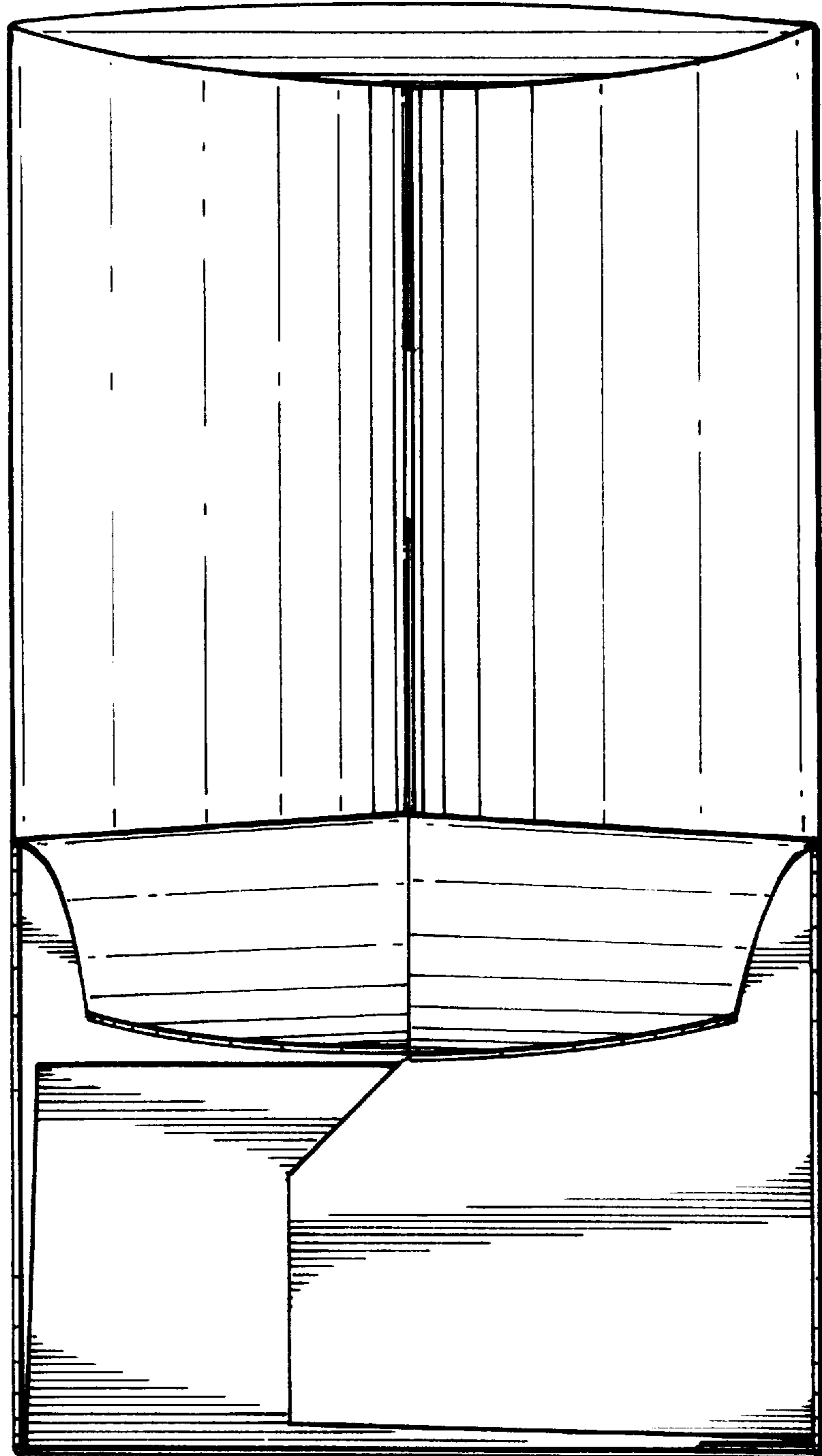


FIG. 7

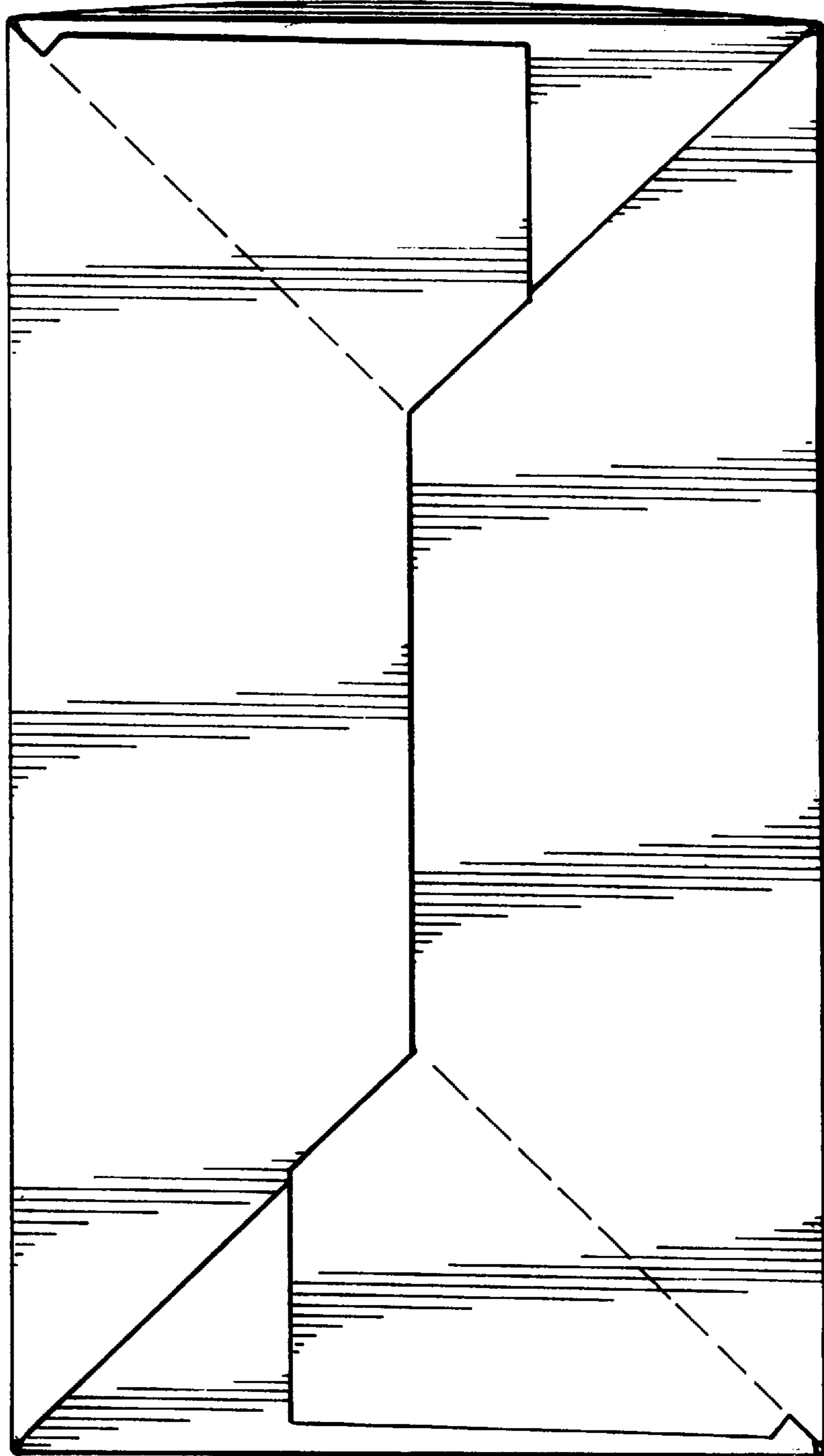


FIG. 8

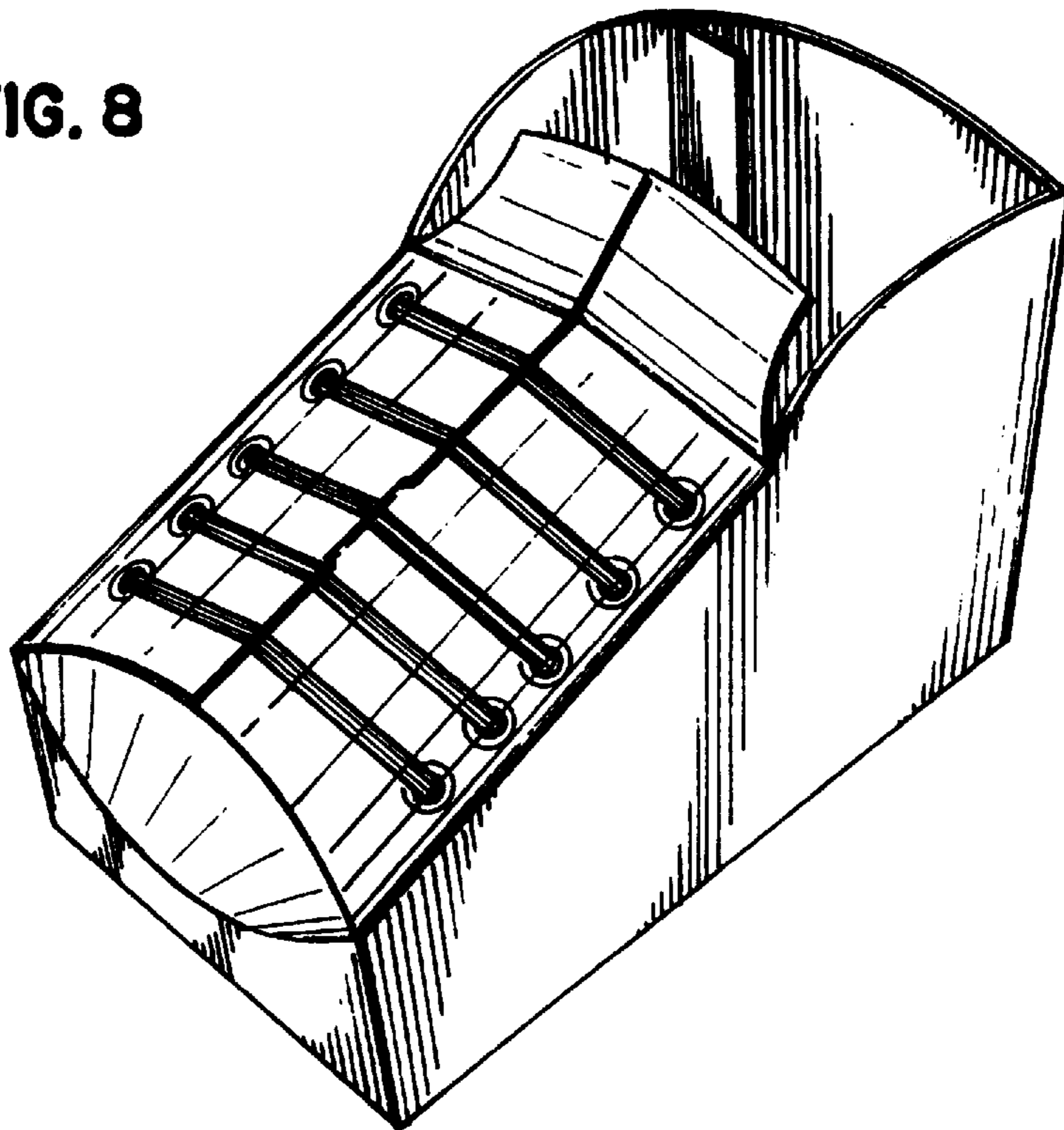


FIG.10

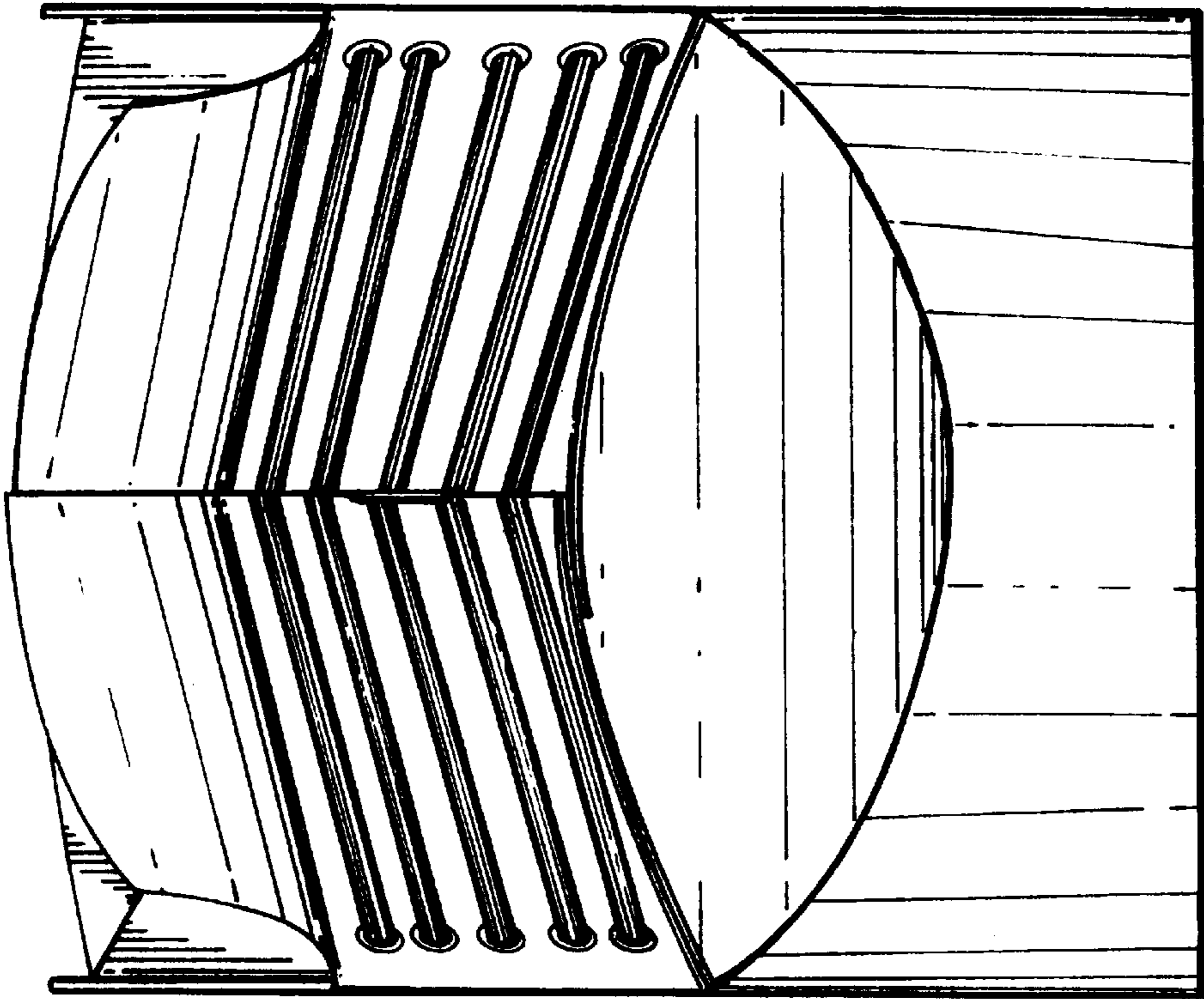


FIG.9



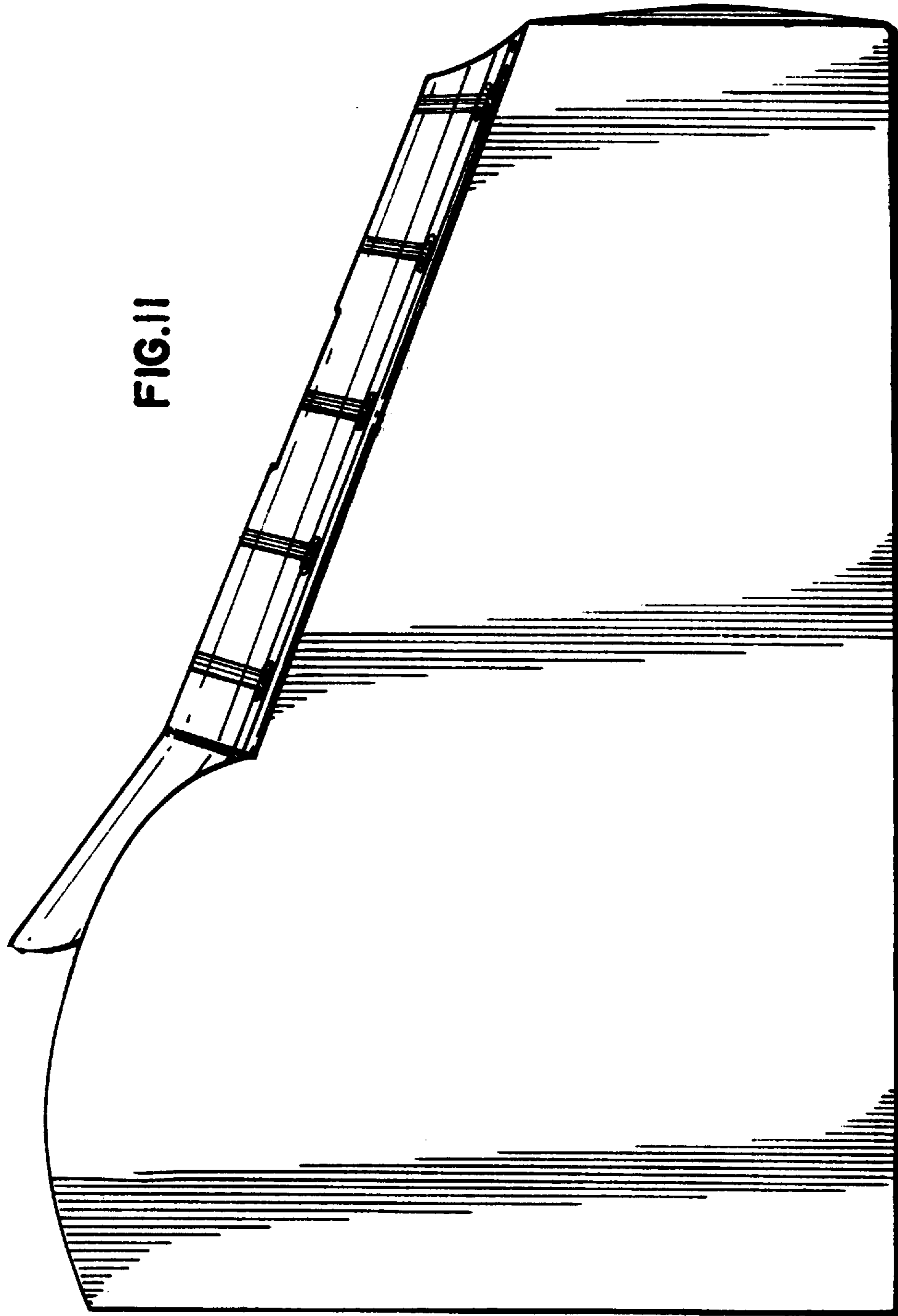


FIG. 11

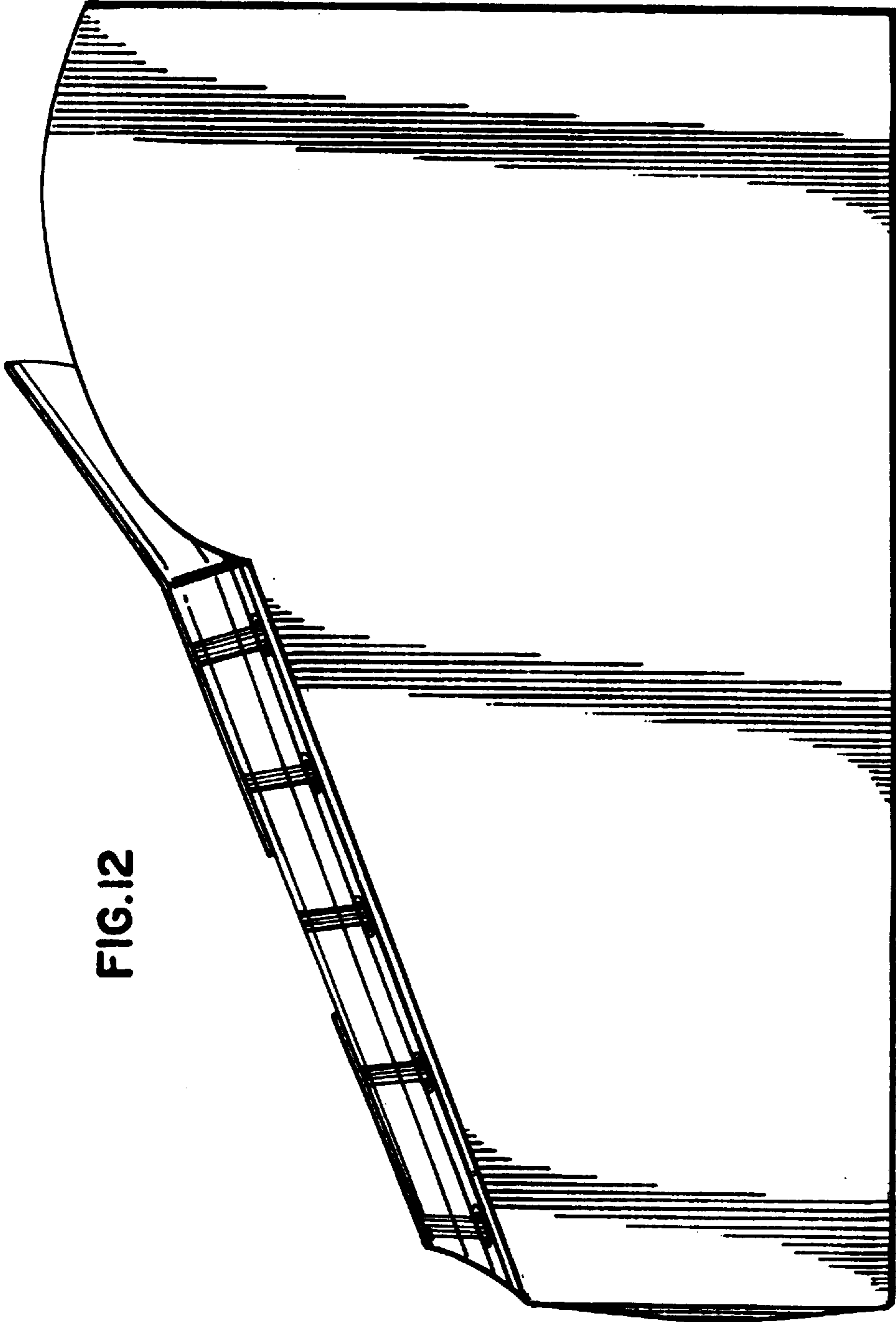


FIG.12

FIG.13

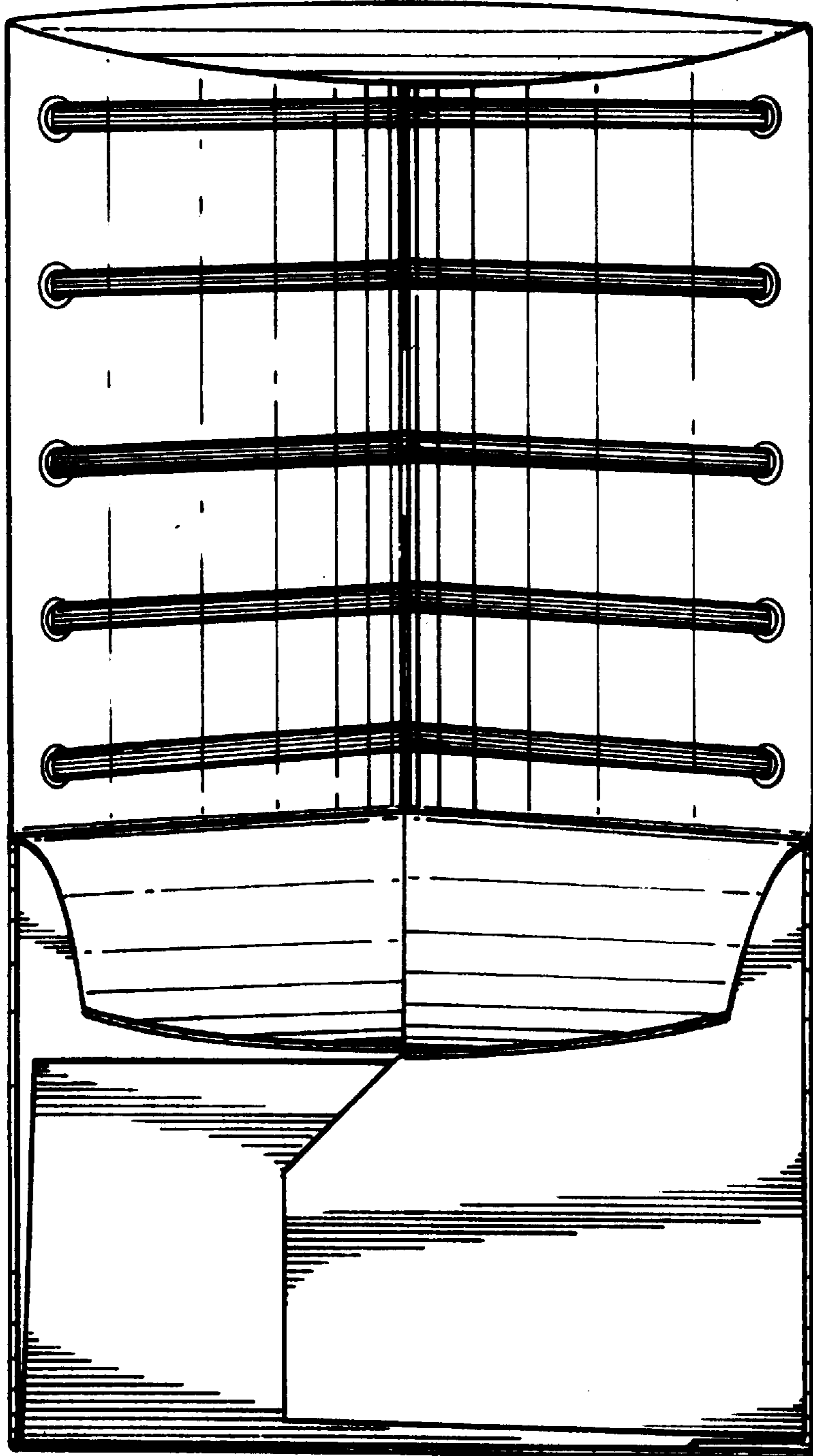


FIG.14

