



US00D401136S

United States Patent [19]
Derman

[11] **Patent Number: Des. 401,136**

[45] **Date of Patent: **Nov. 17, 1998**

[54] **FACEPLATE AND LOCKING DEVICE FOR A CHAMBER OPENING ACCEPTING ELECTRONIC DATA MEDIA**

D. 337,041 7/1993 Carl D8/331
D. 363,425 10/1995 Taylor D8/331
4,655,057 4/1987 Derman 70/58 X
5,404,733 4/1995 Fitzpatrick 70/58 X

[75] Inventor: **Jay S. Derman**, Redondo Beach, Calif.

Primary Examiner—Brian N. Vinson
Attorney, Agent, or Firm—Townsend and Townsend and Crew LLP

[73] Assignee: **Kensington Microwave Limited**, San Mateo, Calif.

[**] Term: **14 Years**

[57] **CLAIM**

[21] Appl. No.: **63,763**

I claim the ornamental design for a faceplate and locking device for a chamber opening accepting electronic data media, as shown and described.

[22] Filed: **Dec. 16, 1996**

DESCRIPTION

[51] **LOC (6) Cl.** **08-07**

[52] **U.S. Cl.** **D8/341; D8/346**

[58] **Field of Search** D8/330, 331, 339, D8/341, 342, 346; D14/114, 115, 299; 70/14, 31, 57, 58, 158, 163, 164

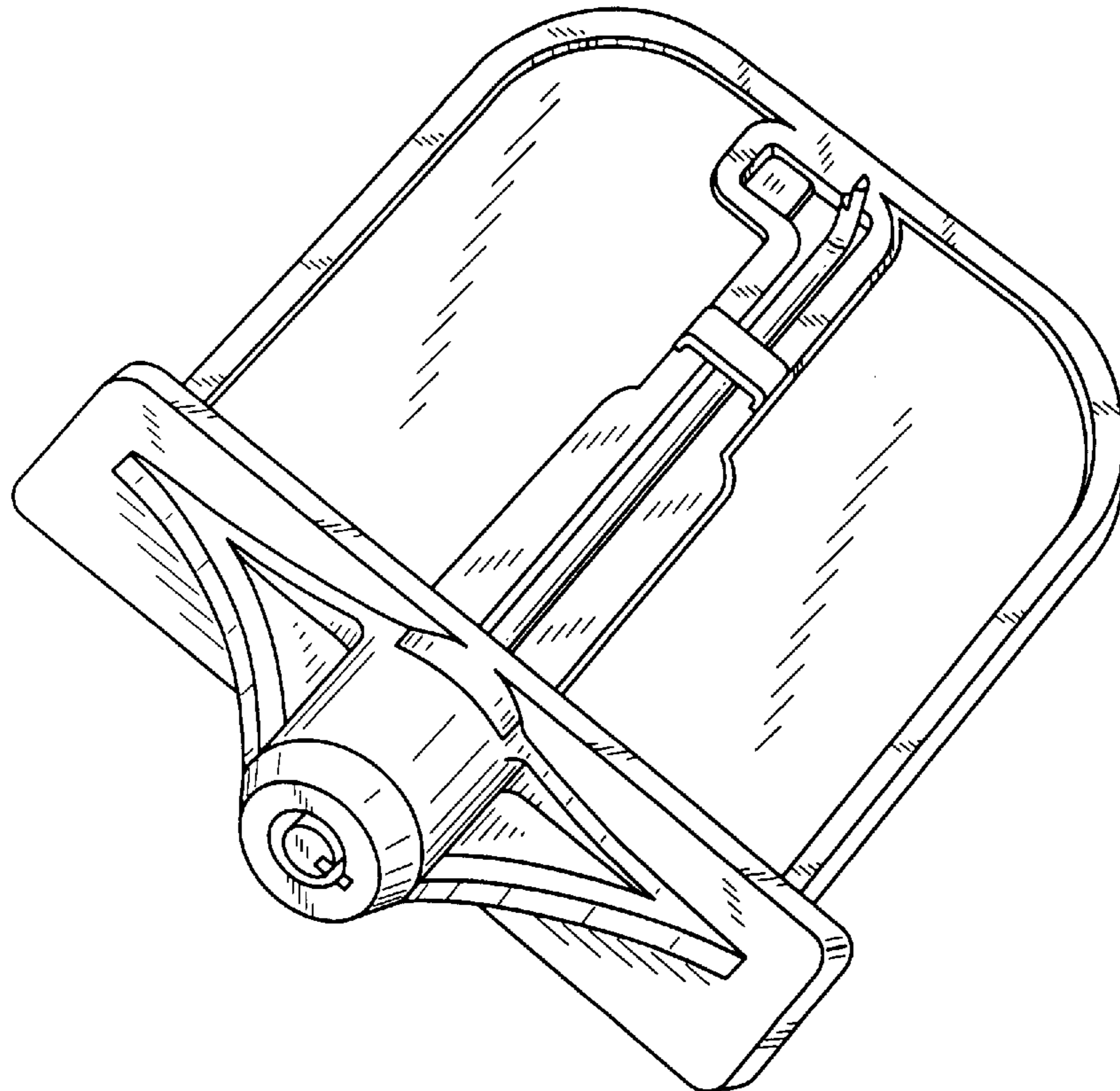
FIG. 1 is a front perspective view of a locking device with faceplate added, showing my new design;
FIG. 2 is a side elevational view thereof, the opposite side elevational view is a mirror image;
FIG. 3 is a top plan view thereof;
FIG. 4 is a bottom plan view thereof;
FIG. 5 is a front elevation view thereof; and,
FIG. 6 is a rear elevational view thereof.

[56] **References Cited**

U.S. PATENT DOCUMENTS

D. 329,046 9/1992 Westland D8/331
D. 337,040 7/1993 Carl et al. D8/331

1 Claim, 1 Drawing Sheet



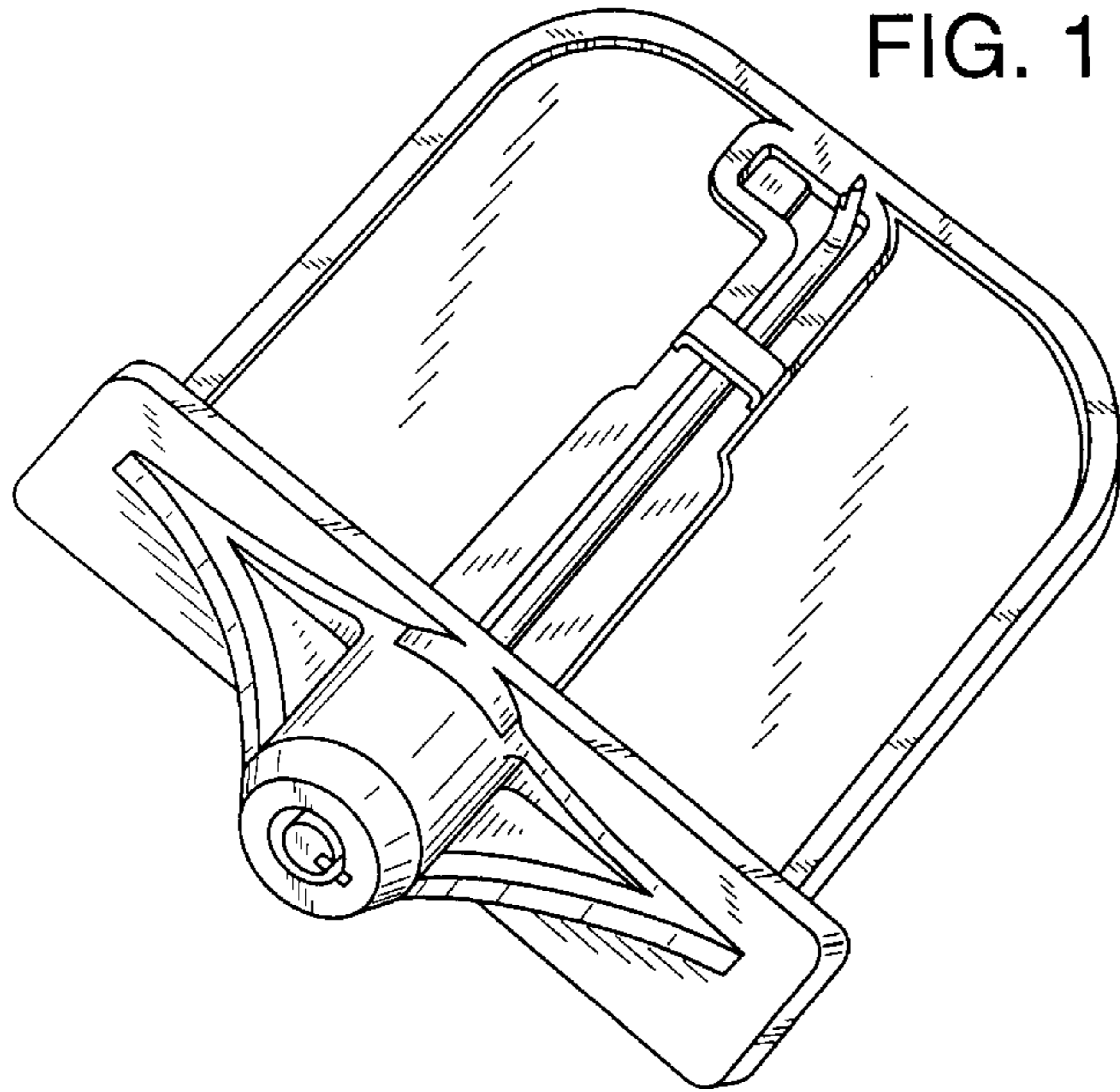


FIG. 2

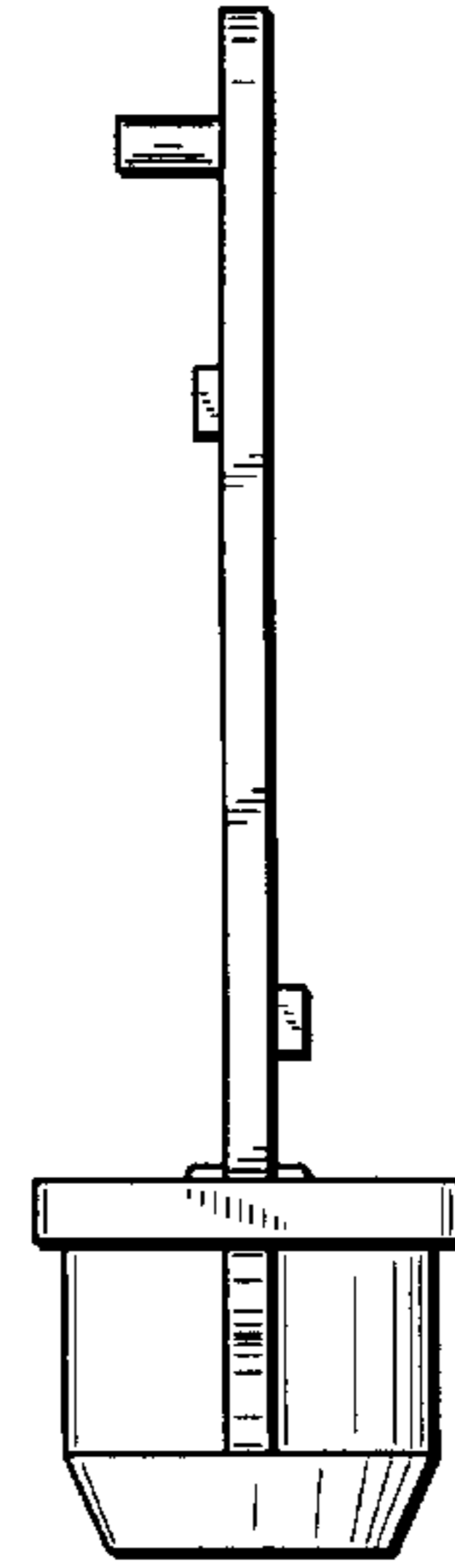


FIG. 3

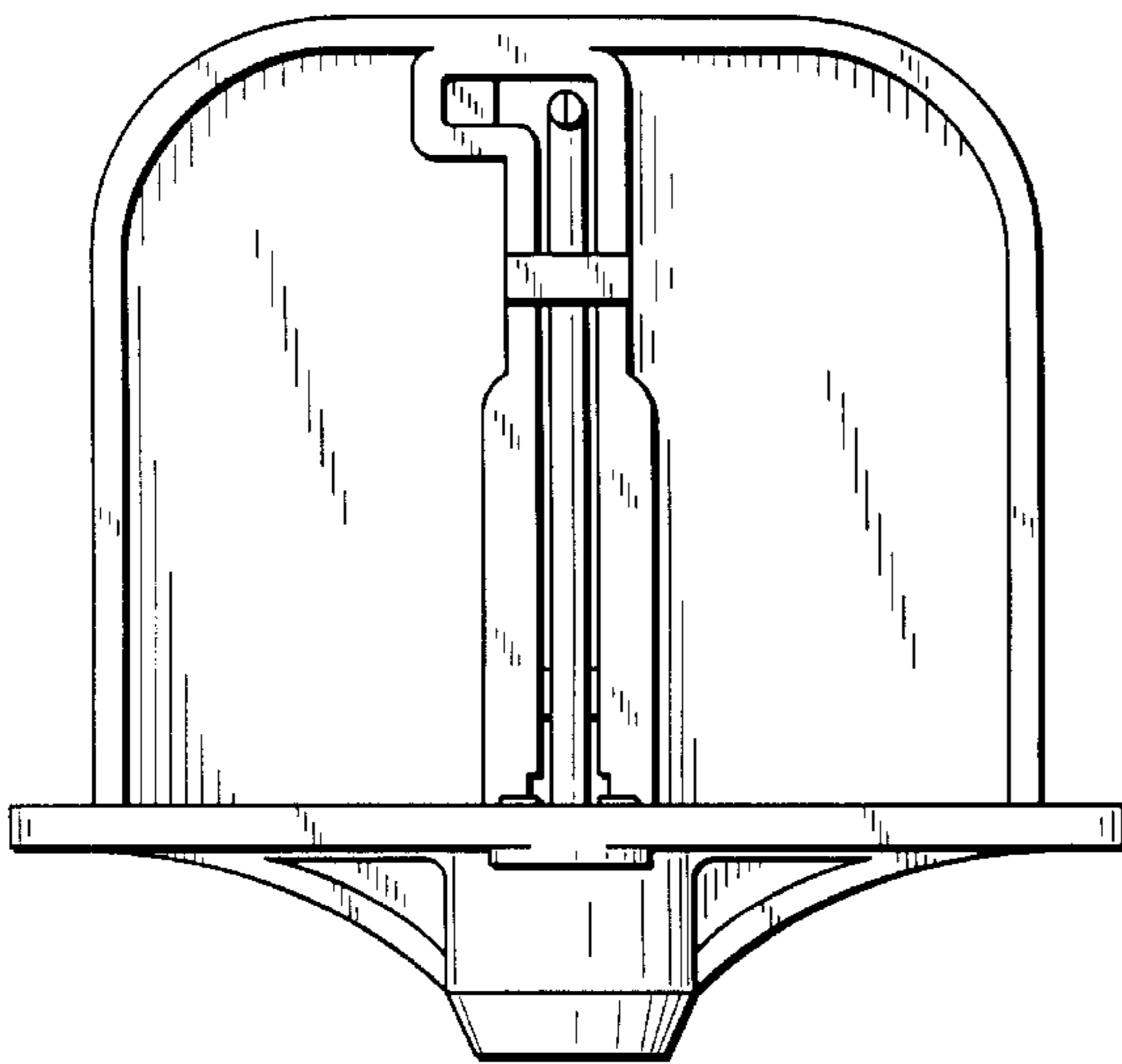


FIG. 4

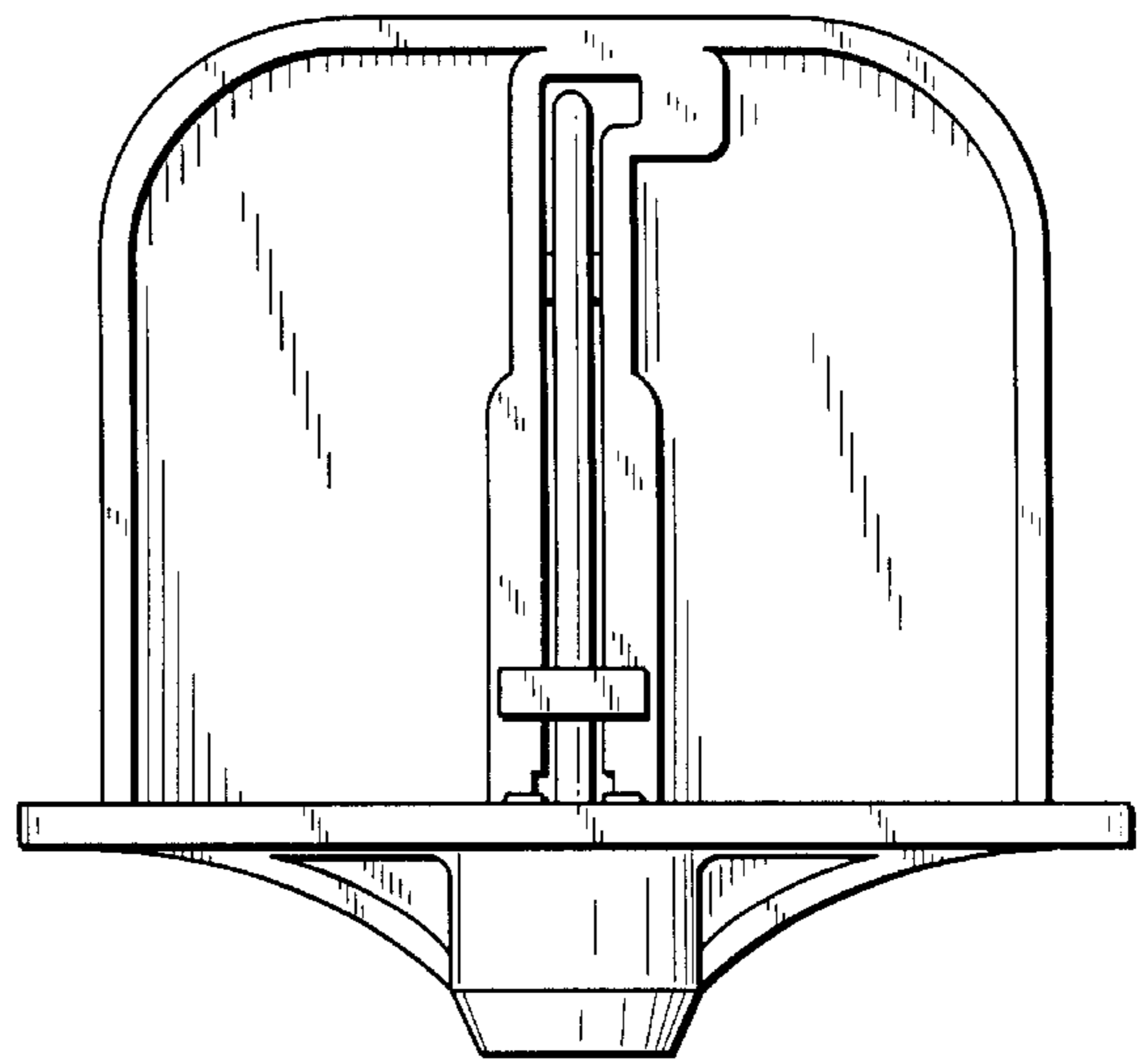


FIG. 5

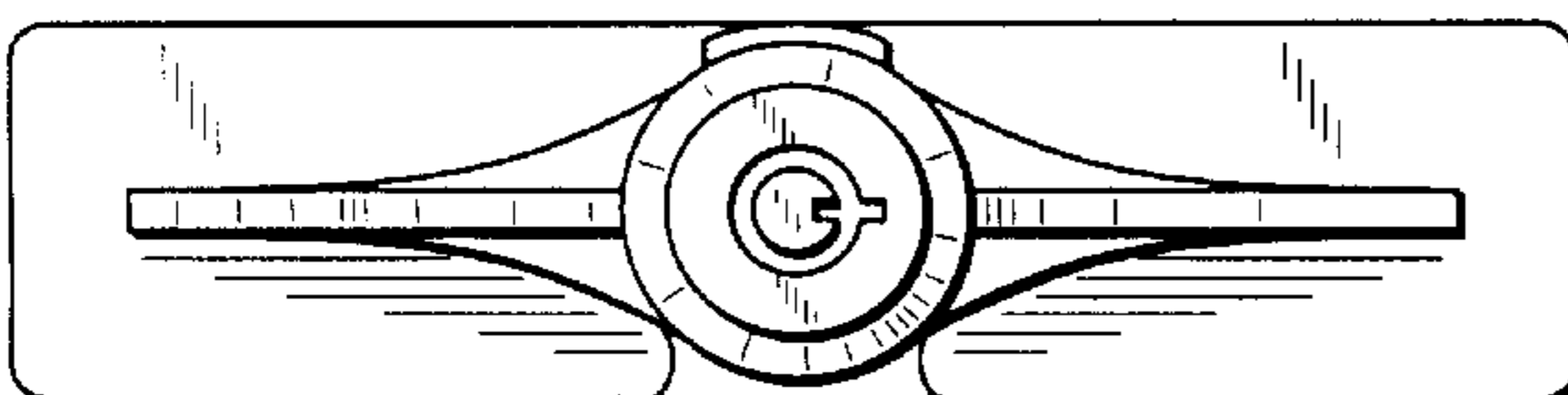


FIG. 6

