



US00D401134S

United States Patent [19] Finkelstein

[11] Patent Number: **Des. 401,134**

[45] Date of Patent: ****Nov. 17, 1998**

[54] **DOOR HINGE**

644156 9/1962 Italy 16/386
9629 of 1888 United Kingdom 16/387
15912 12/1990 WIPO 16/250

[75] Inventor: **Burl Finkelstein**, Newnan, Ga.

[73] Assignee: **Kason Industries, Inc.**, Shenandoah, Ga.

Primary Examiner—Sandra L. Morris
Assistant Examiner—C. Tuttle
Attorney, Agent, or Firm—Kennedy, Davis & Kennedy

[**] Term: **14 Years**

[57] CLAIM

[21] Appl. No.: **52,493**

The ornamental design for a door hinge, as shown and described.

[22] Filed: **Apr. 1, 1996**

DESCRIPTION

Related U.S. Application Data

[63] Continuation-in-part of Ser. No. 42,325, Aug. 7, 1995.

[51] **LOC (6) Cl.** **08-06**

[52] **U.S. Cl.** **D8/329**

[58] **Field of Search** D8/323-329; 16/221, 16/309, 254, 260-264, 312, 318, 386-389

FIG. 1 is a perspective view of the door hinge;
FIG. 2 is a top view of the door hinge;
FIG. 3 is a front view of the door hinge;
FIG. 4 is a rear view of the door hinge;
FIG. 5 is a right side view of the door hinge;
FIG. 6 is a left side view of the door hinge;
FIG. 7 is a bottom view of the door hinge;
FIG. 8 is a perspective view of the door hinge in a second embodiment;
FIG. 9 is a top view of the door hinge shown in FIG. 8;
FIG. 10 is a front view of the door hinge shown in FIG. 8;
FIG. 11 is a rear view of the door hinge shown in FIG. 8;
FIG. 12 is a right side view of the door hinge shown in FIG. 8;
FIG. 13 is a left side view of the door hinge shown in FIG. 8; and,
FIG. 14 is a bottom view of the door hinge shown in FIG. 8.

[56] References Cited

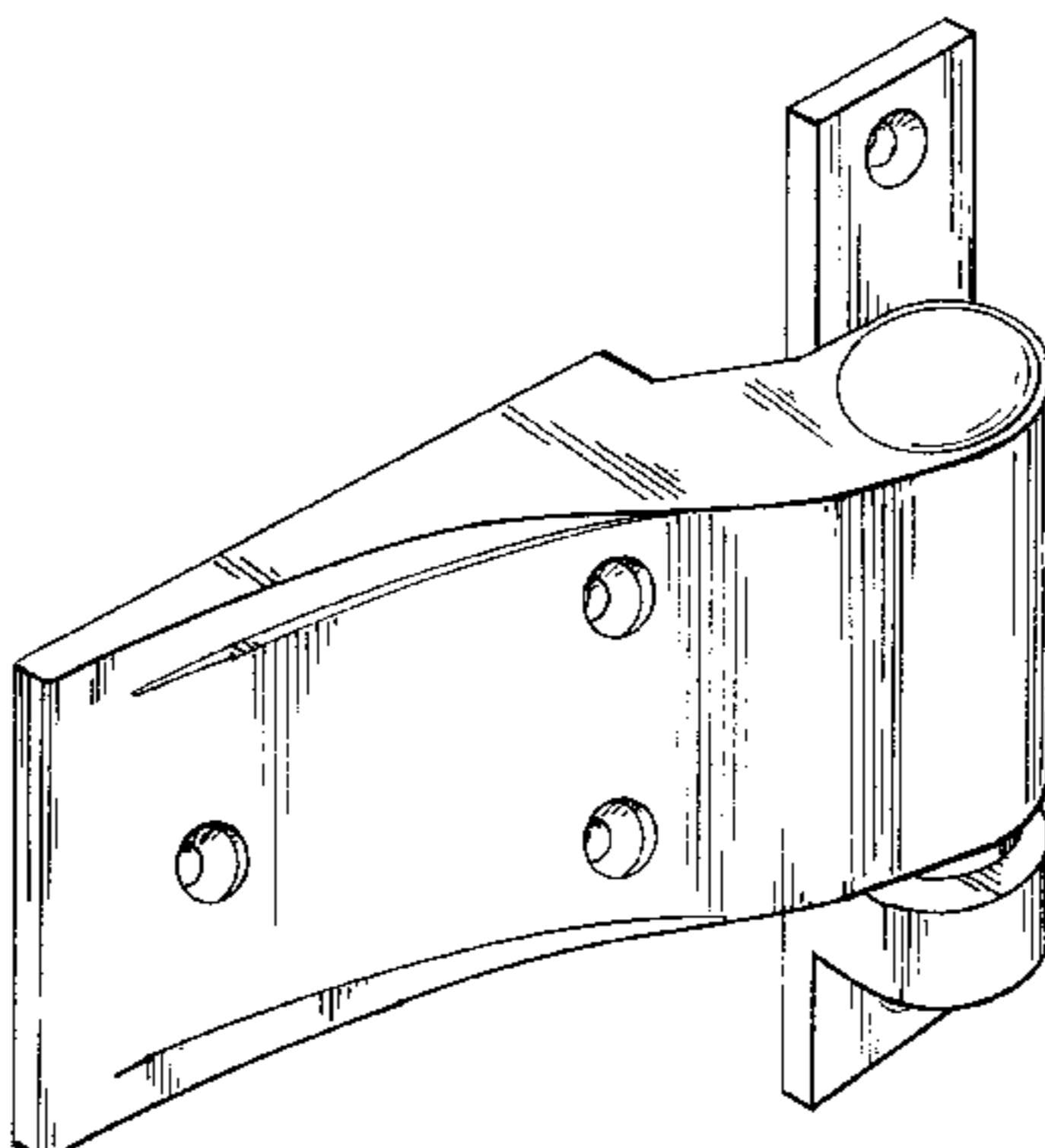
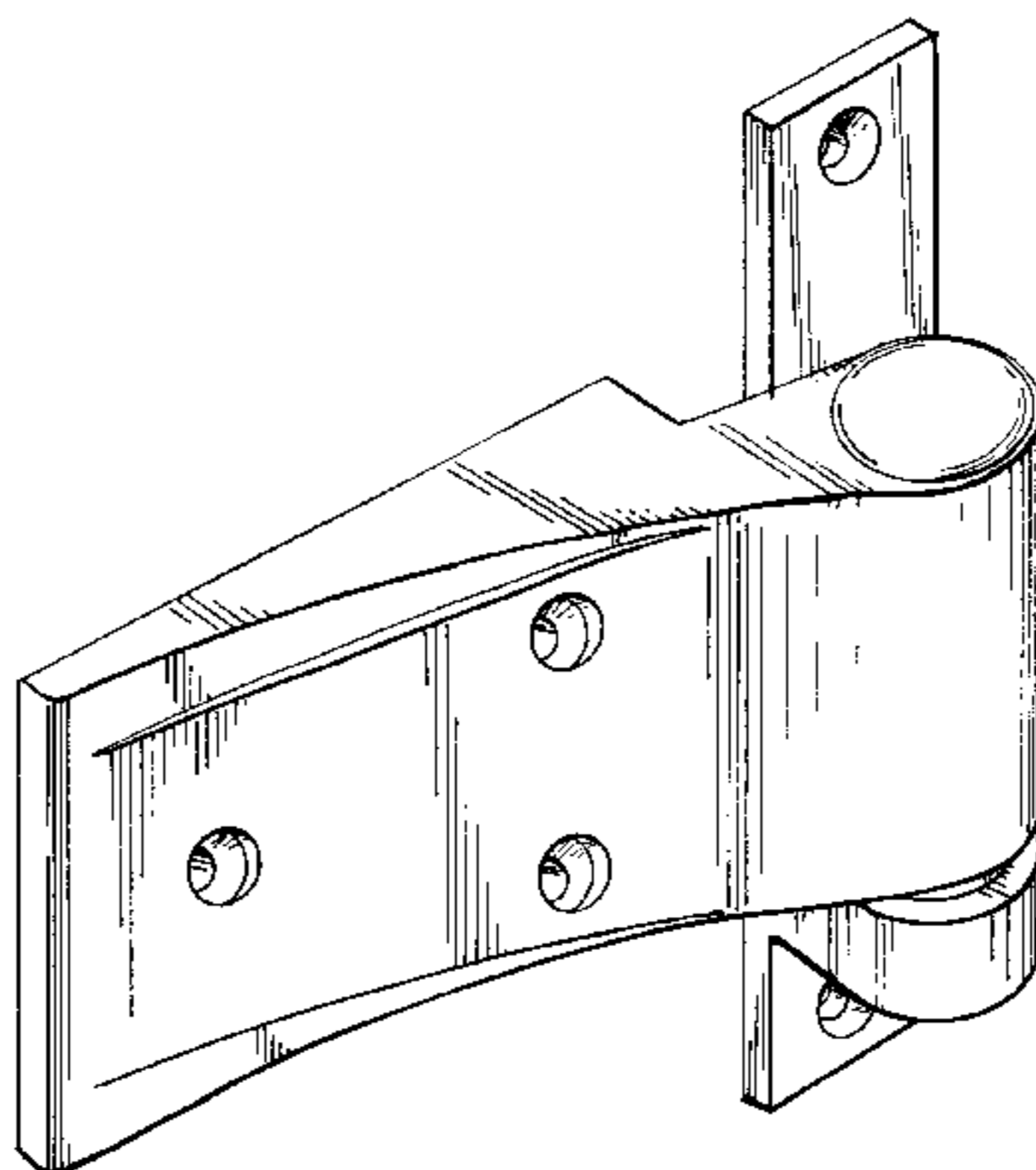
U.S. PATENT DOCUMENTS

D. 47,353	5/1915	Wood	D8/329
D. 92,447	6/1934	Brantingson	D8/329
D. 105,649	8/1937	Carruthers	D8/329
D. 157,294	2/1950	Slopa	D8/327
D. 299,420	1/1989	Takahashi	D8/329
3,748,688	7/1973	Berkowitz	16/312 X
4,030,161	6/1977	Loikitz	16/297 X
4,631,777	12/1986	Takimoto	16/312 X

FOREIGN PATENT DOCUMENTS

730039	8/1932	France	16/267
--------	--------	--------	-------	--------

1 Claim, 6 Drawing Sheets



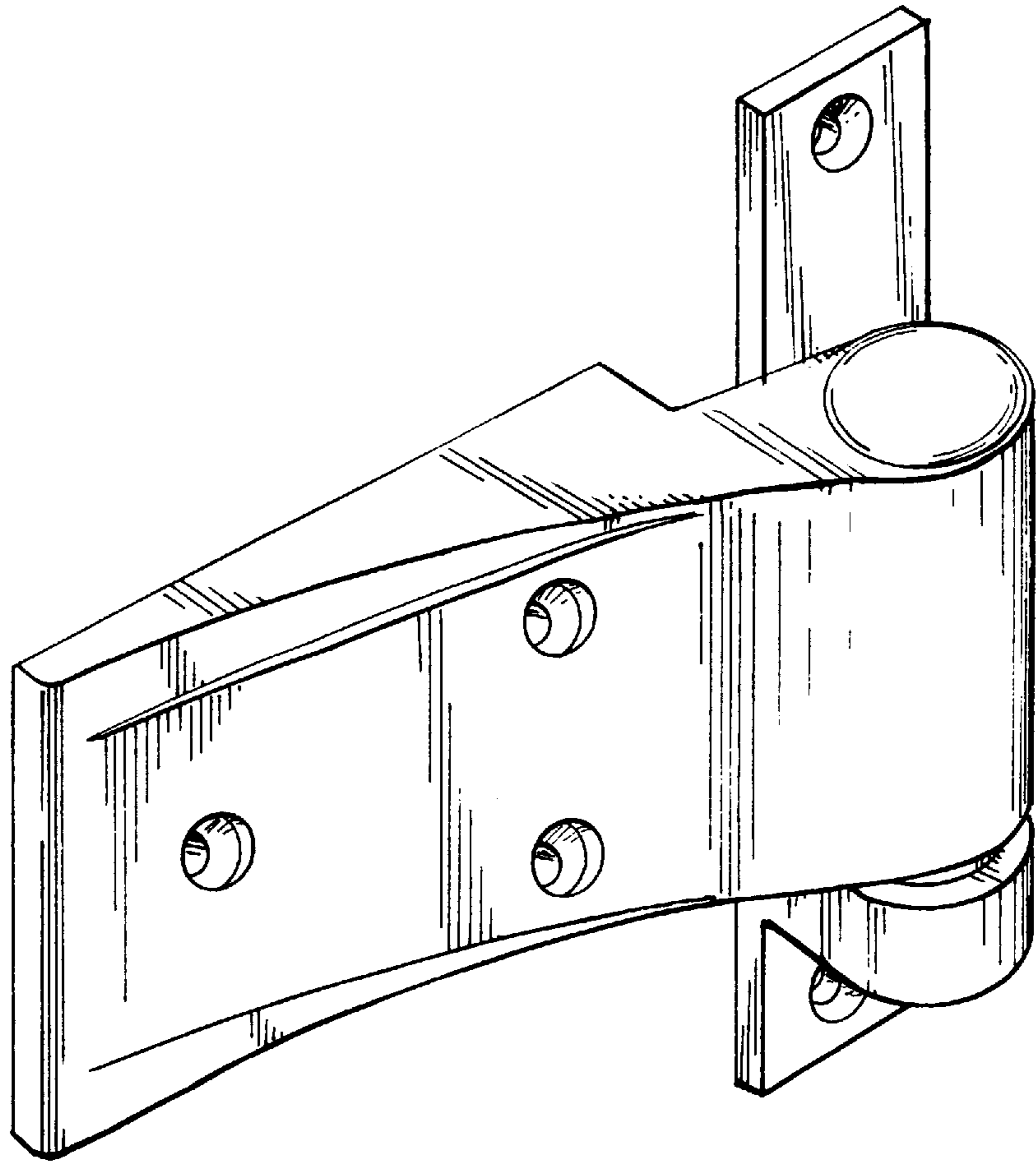


FIG 1

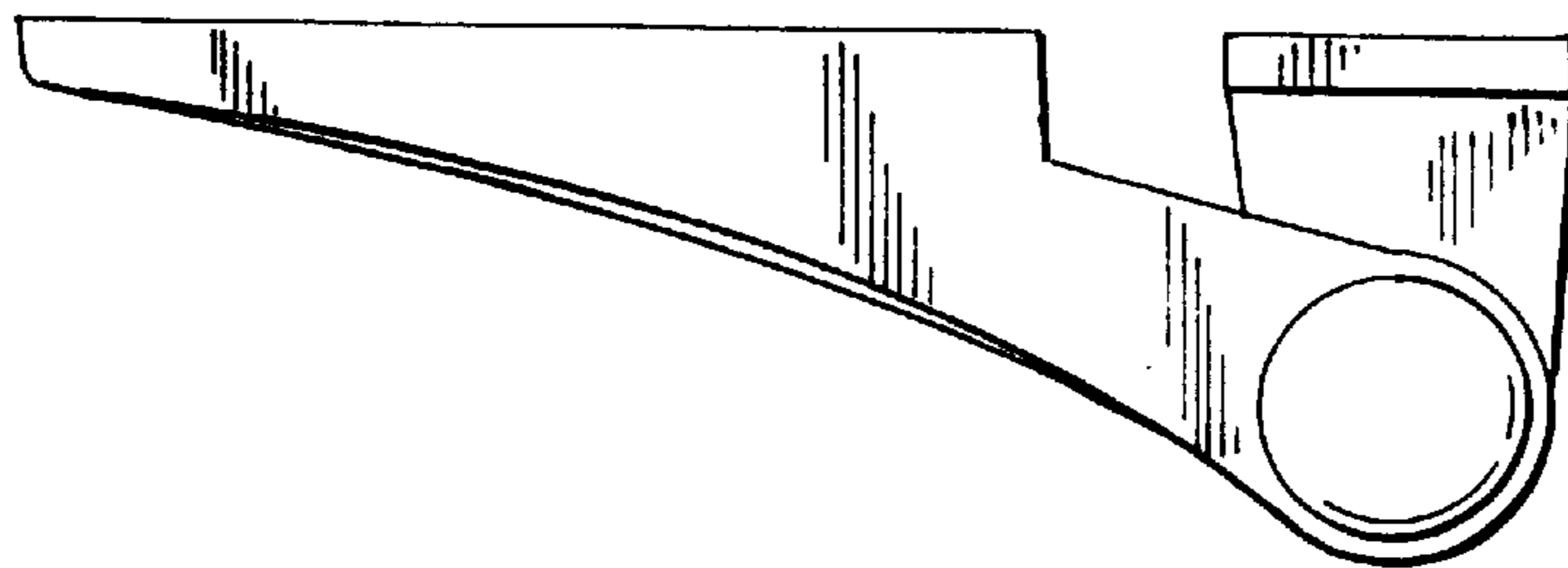


FIG 2

FIG 3

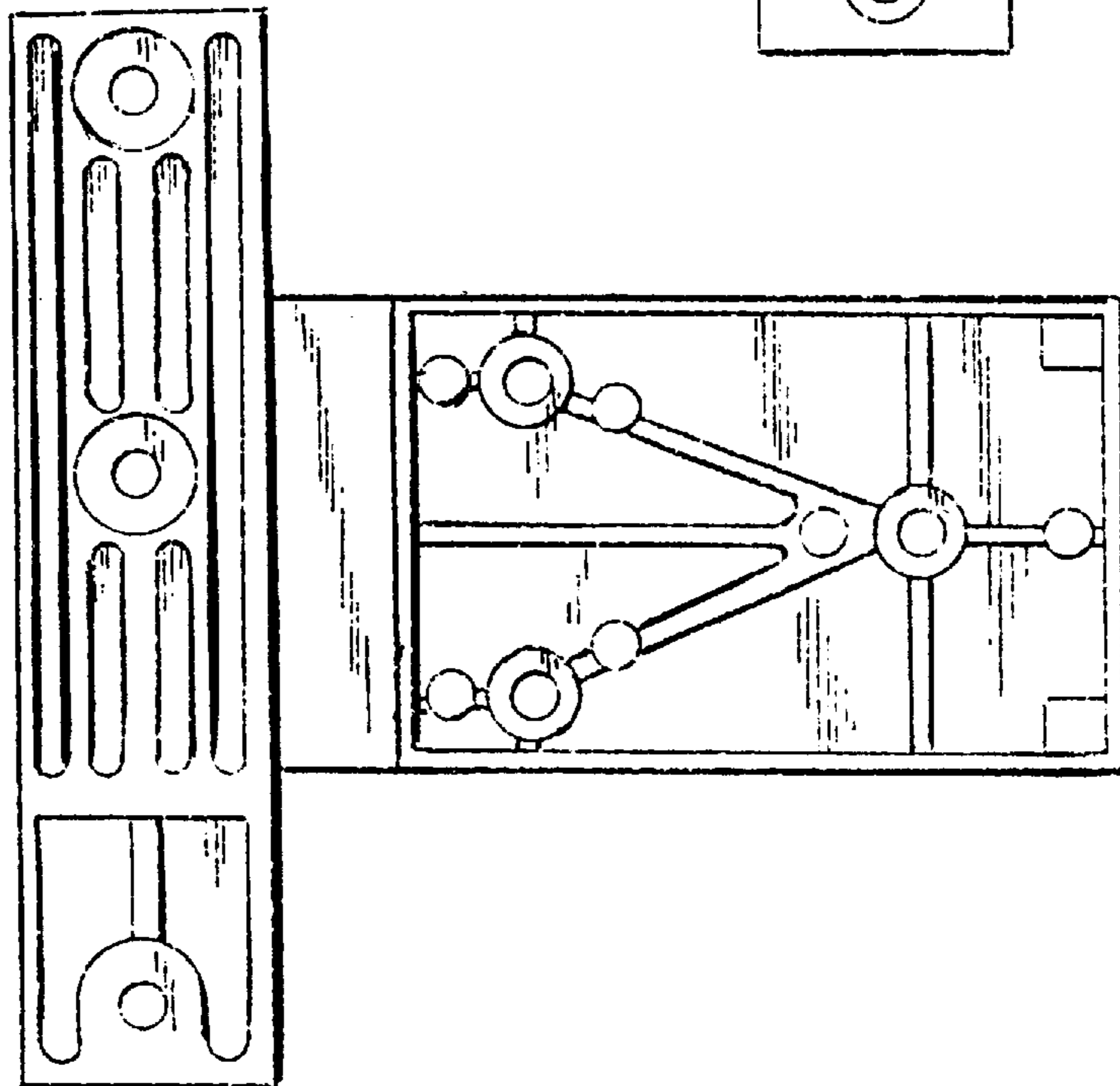
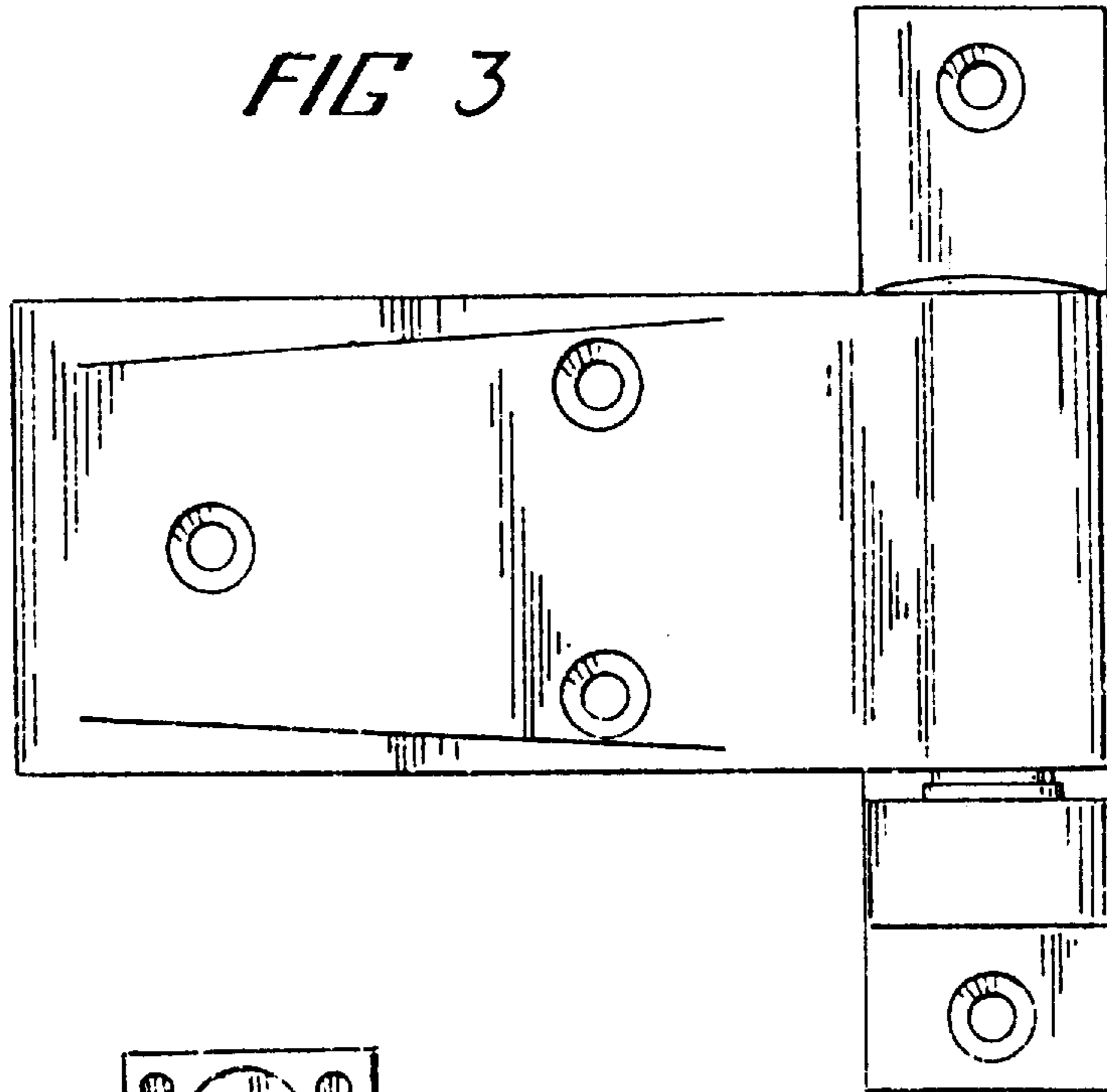


FIG 4

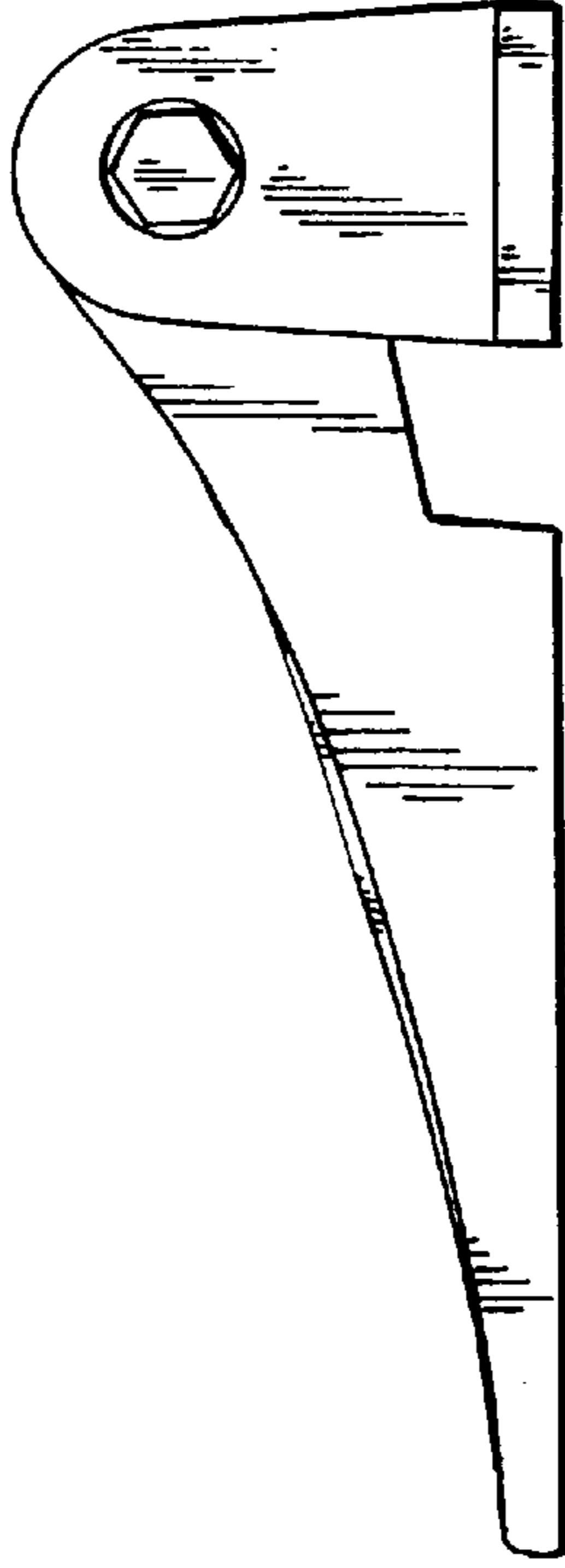


FIG 7

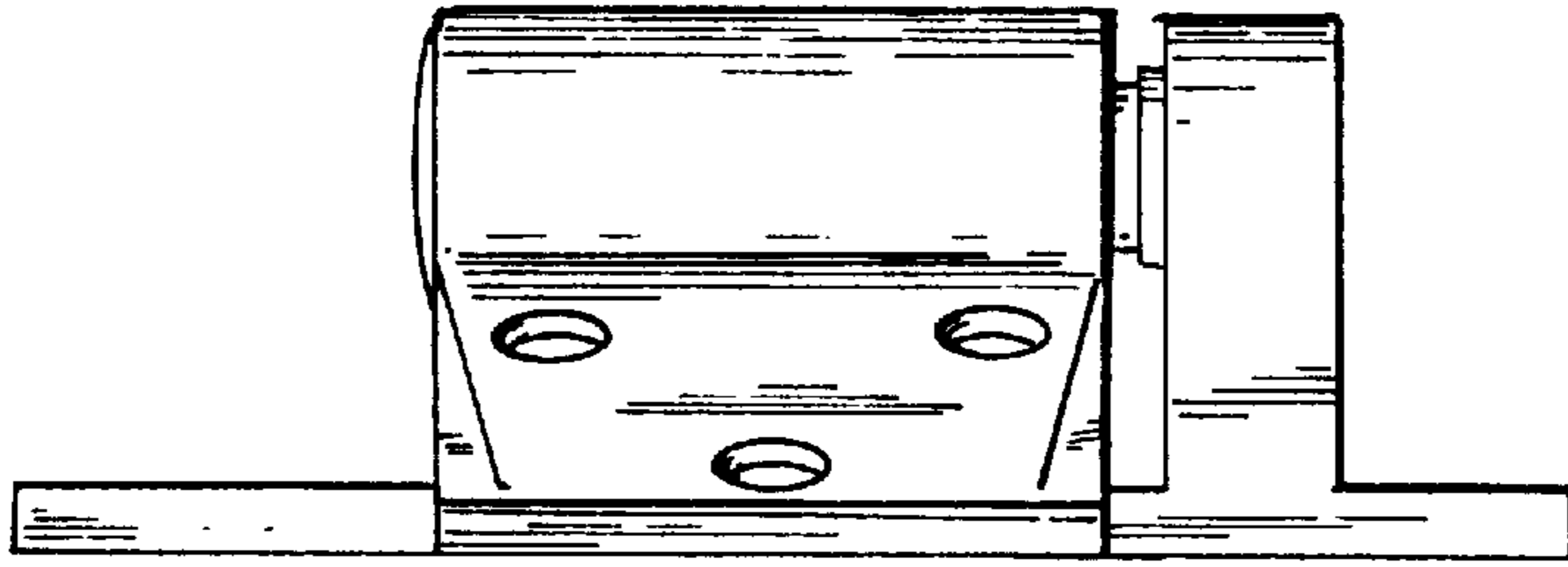


FIG 6

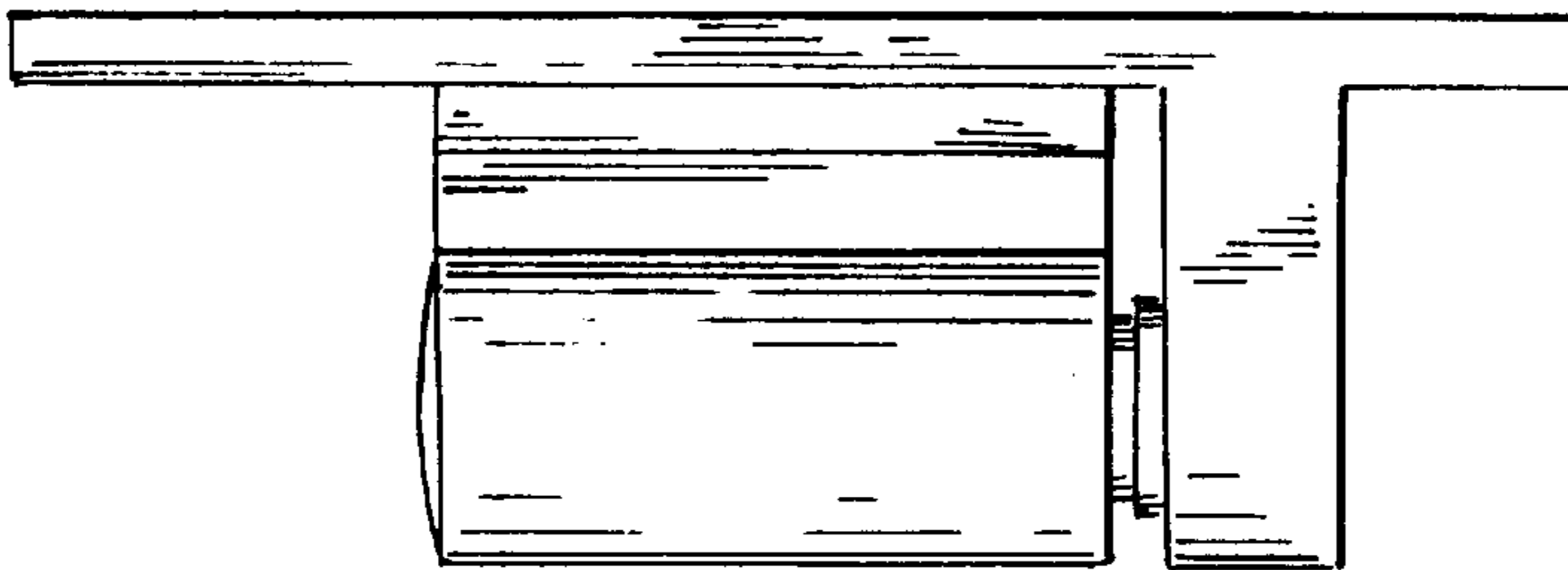


FIG 5

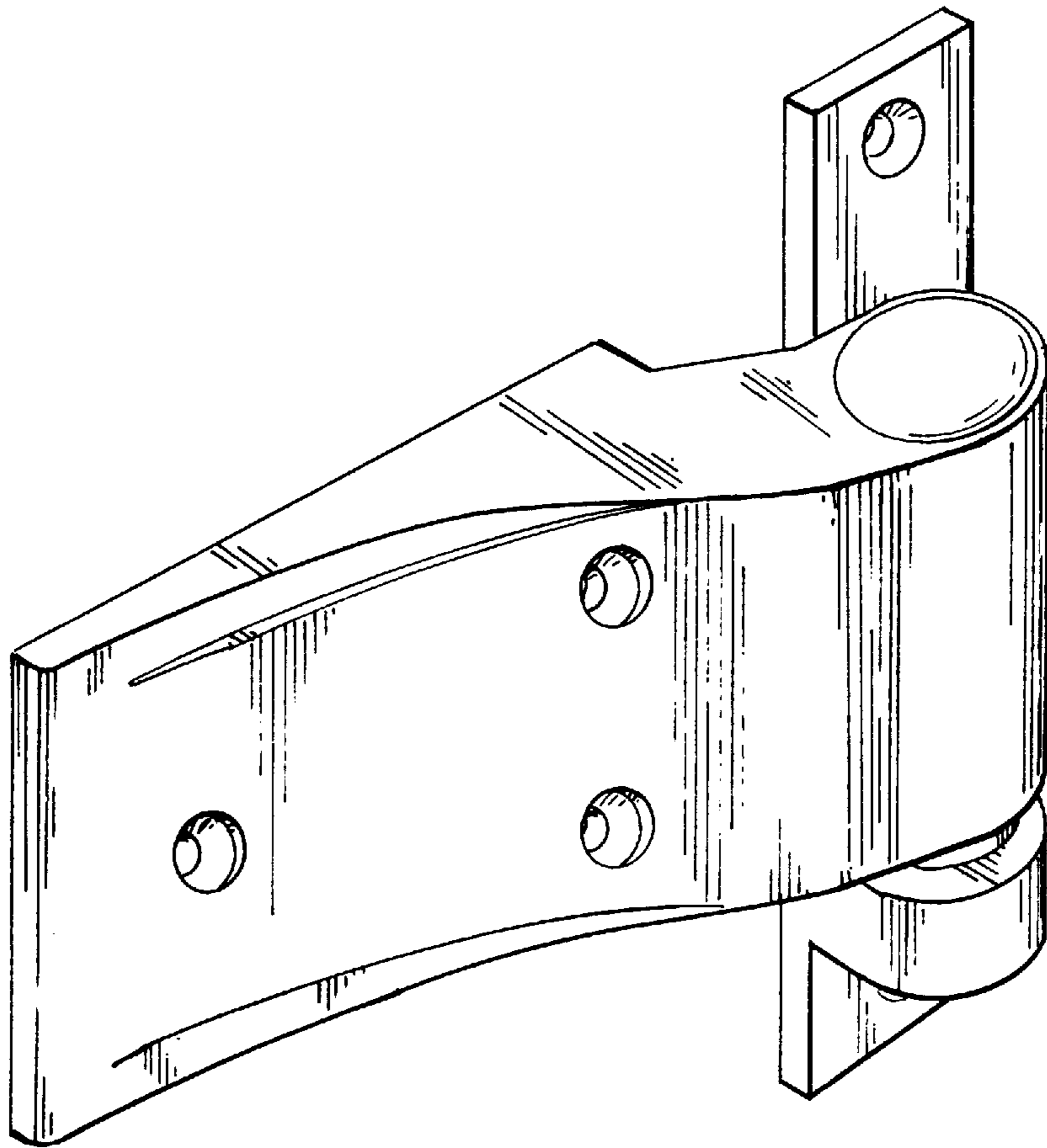


FIG 8

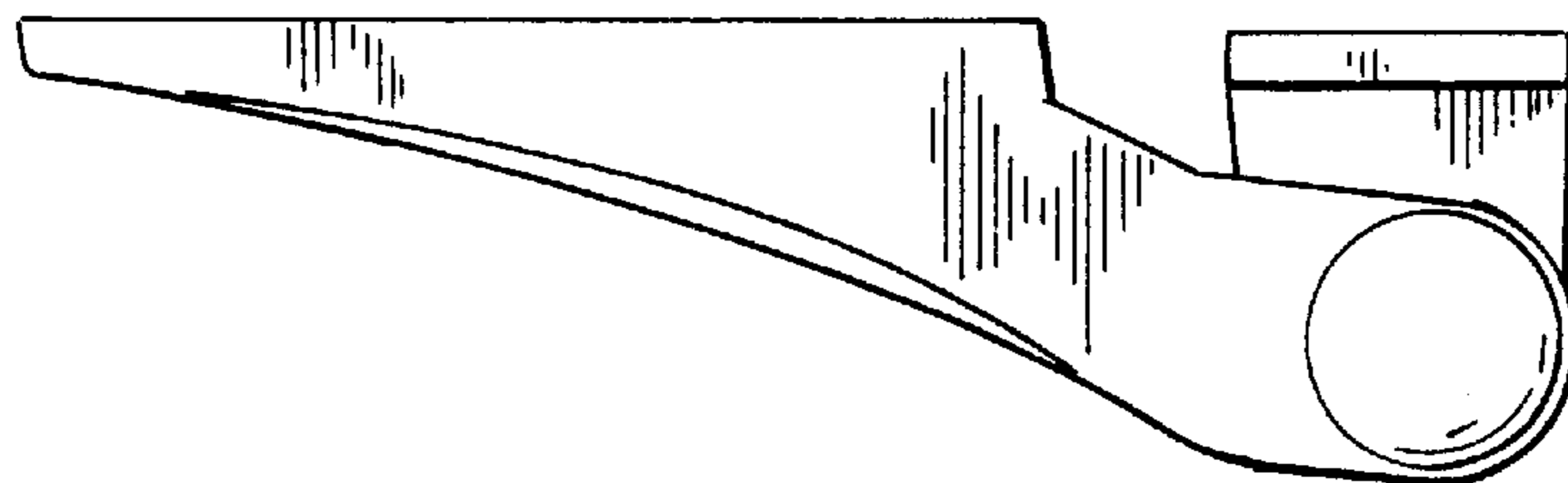


FIG 9

FIG 10

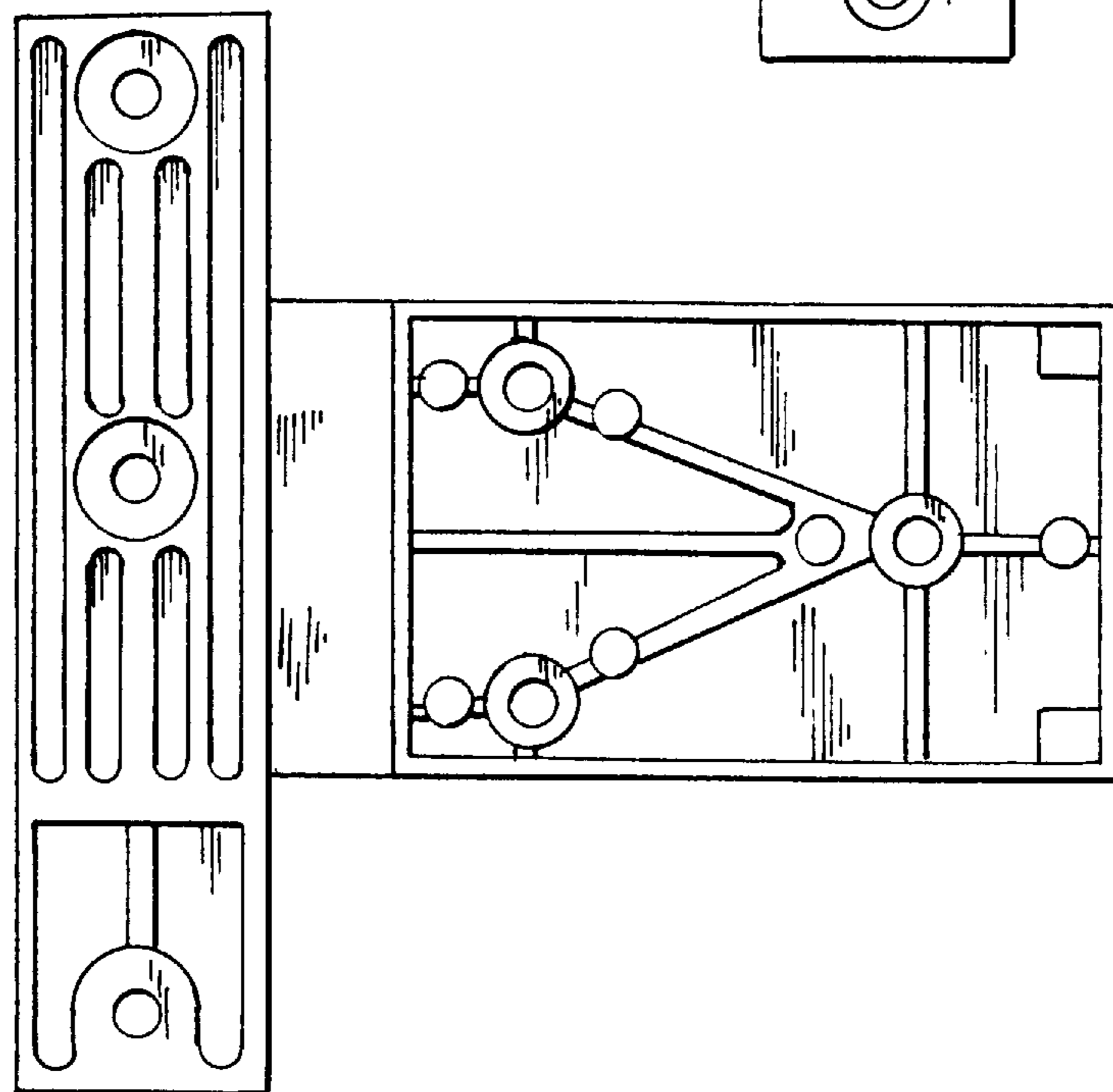
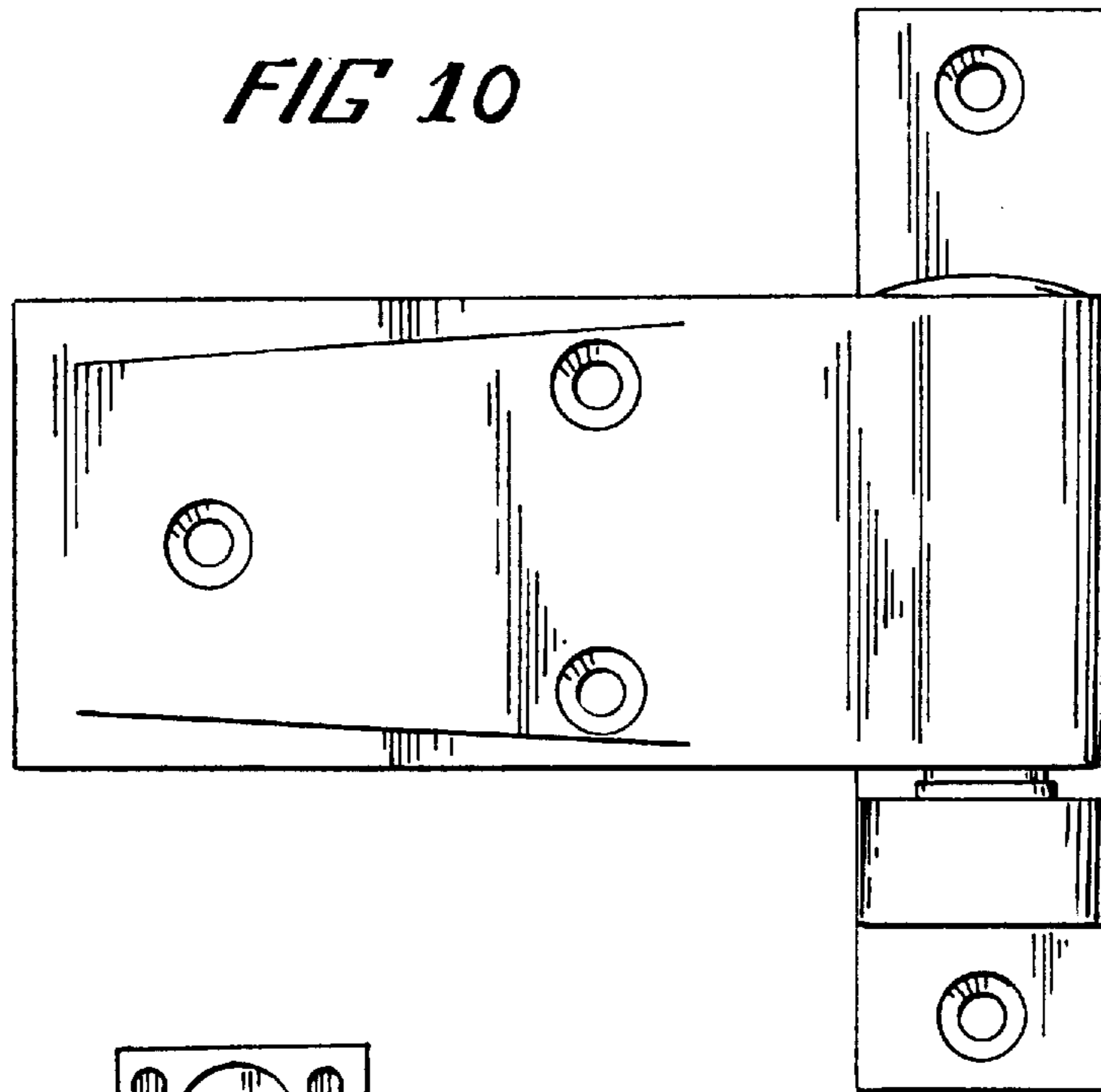


FIG 11

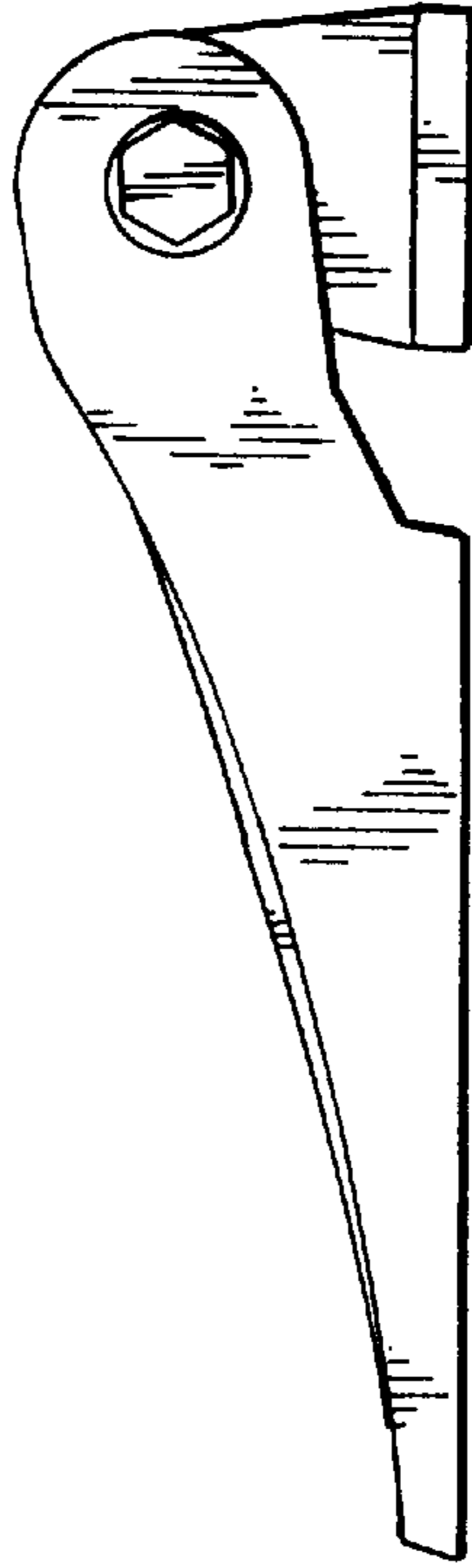


FIG 14

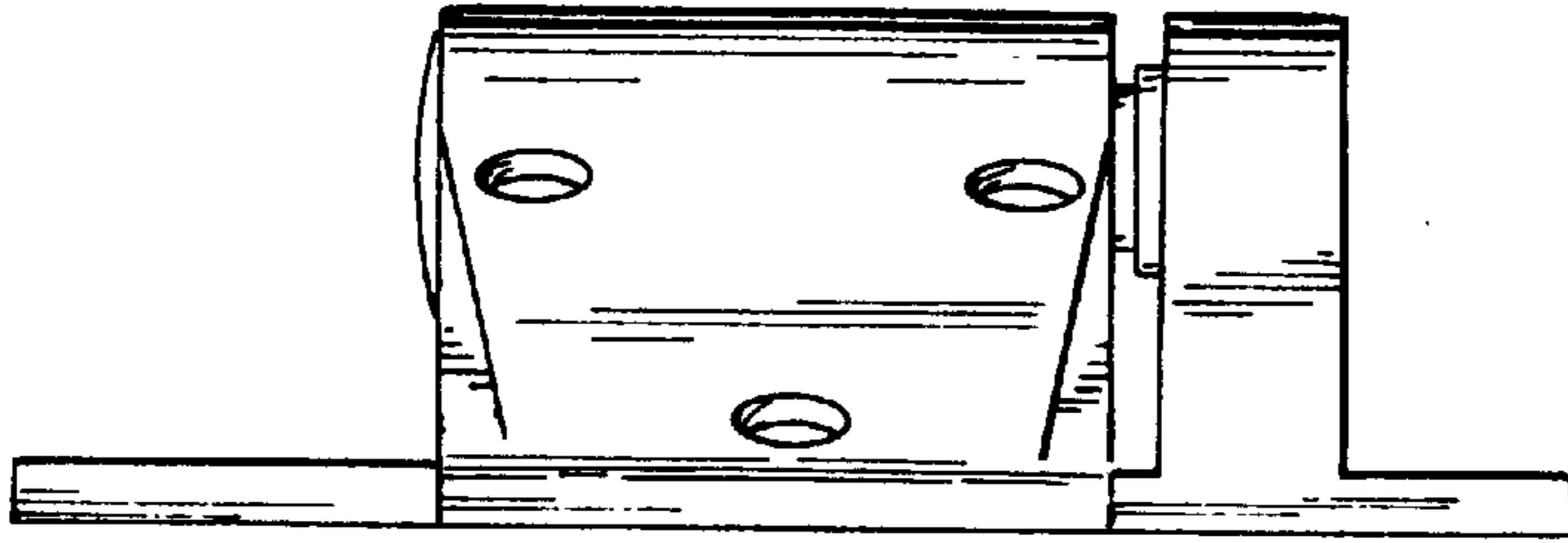


FIG 13

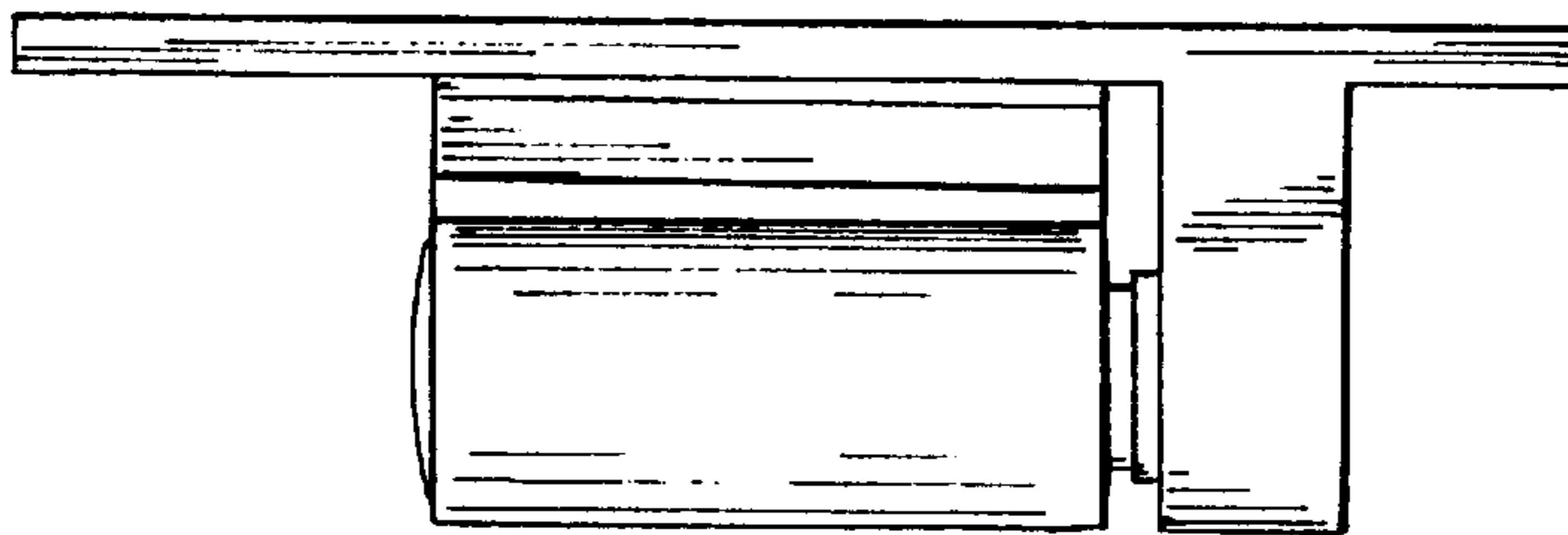


FIG 12