



US00D401130S

United States Patent [19]

Maier et al.

[11] **Patent Number: Des. 401,130**

[45] **Date of Patent: **Nov. 17, 1998**

[54] **ILLUMINATED SCREWDRIVER**
[76] Inventors: **Douglas C. Maier**, 1332 S. 78th St.,
Mesa, Ariz. 85208; **D. B. Wheat**, 275
N. Saguaro Dr., #H1, Apache Junction,
Ariz. 85220

1,144,210 6/1915 Kincaid D8/87
1,253,769 1/1918 Anderson D8/87
1,603,985 10/1926 Rosenberg D8/87
2,240,596 5/1941 White et al. D8/87
2,673,284 3/1954 Henderson D8/87
4,480,295 10/1984 Shuster et al. 362/119

[**] Term: **14 Years**

Primary Examiner—Philip S. Hyder

[21] Appl. No.: **76,367**

[57] **CLAIM**

[22] Filed: **Sep. 9, 1997**

The ornamental design for an illuminated screwdriver, as shown and described.

[51] **LOC (6) Cl. 08-04**

DESCRIPTION

[52] **U.S. Cl. D8/87; D8/82; D26/38**

FIG. 1 is a front elevational view of the illuminated screwdriver showing our new design;
FIG. 2 is a rear elevational view thereof;
FIG. 3 is a right side view thereof;
FIG. 4 is a left side view thereof;
FIG. 5 is a top plan view thereof;
FIG. 6 is a bottom plan view thereof; and,
FIG. 7 is a cross-sectional view taken vertically through the midplane of the invention

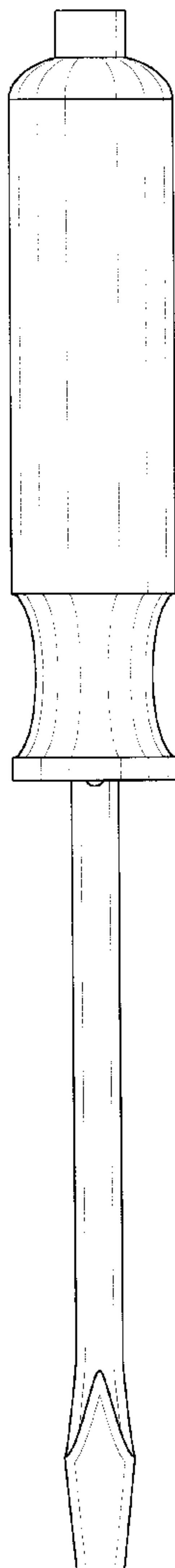
[58] **Field of Search D8/87, 82, 83,
D8/84, 85, 86; 81/436, 489; 362/119, 120,
109**

[56] **References Cited**

U.S. PATENT DOCUMENTS

D. 197,757 3/1964 Nagamori D8/87
D. 363,012 10/1995 Humphries D8/83
D. 371,946 7/1996 Giblin D8/82

1 Claim, 4 Drawing Sheets



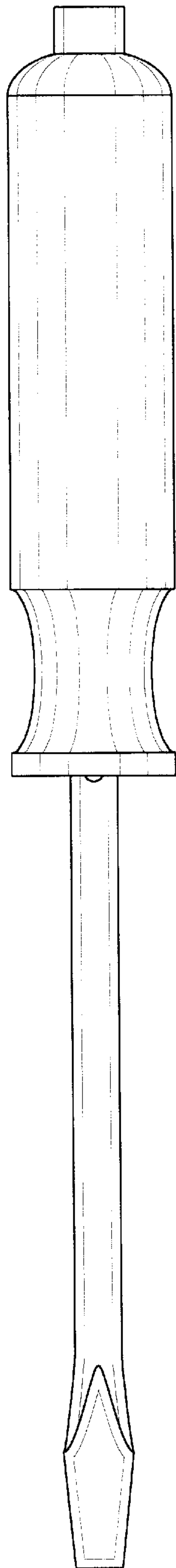


Fig. 1

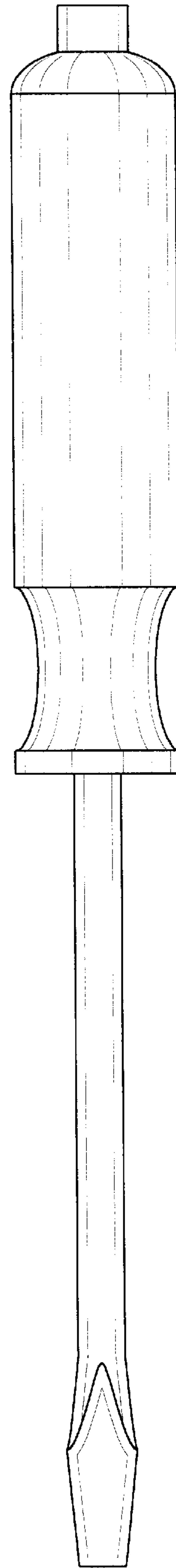


Fig. 2

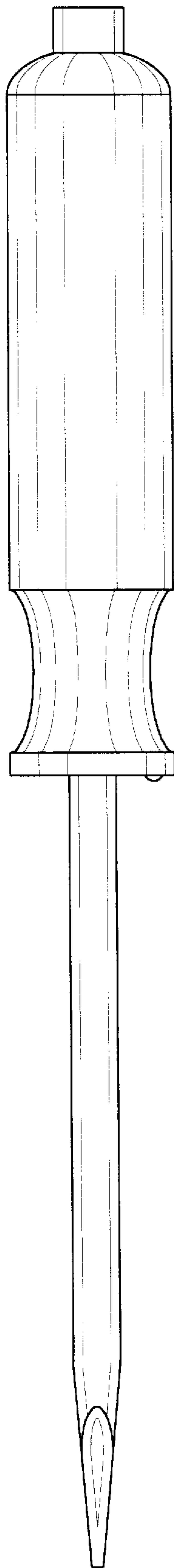


Fig. 3

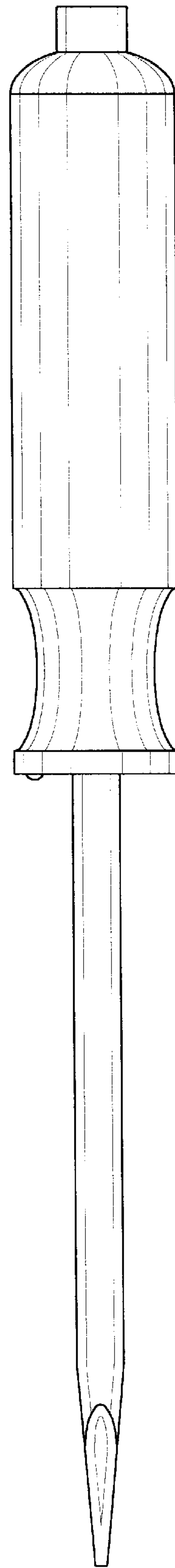


Fig. 4

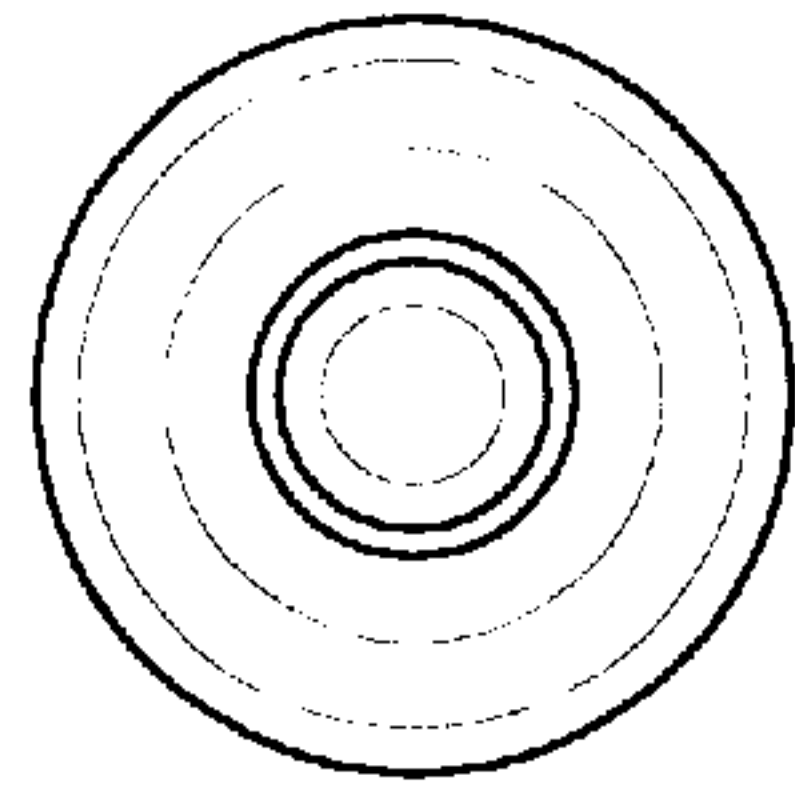


Fig. 5

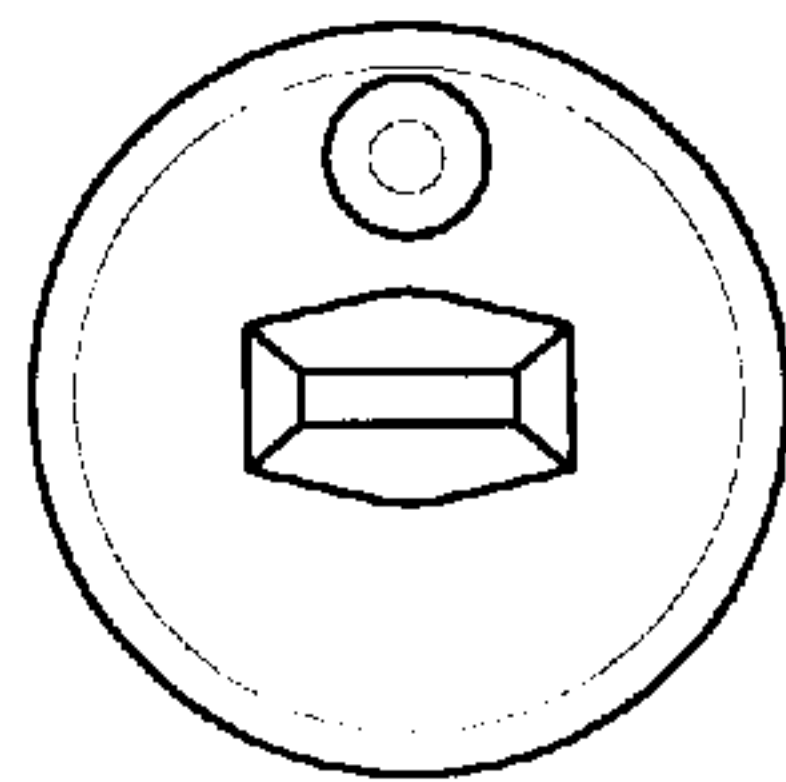


Fig. 6

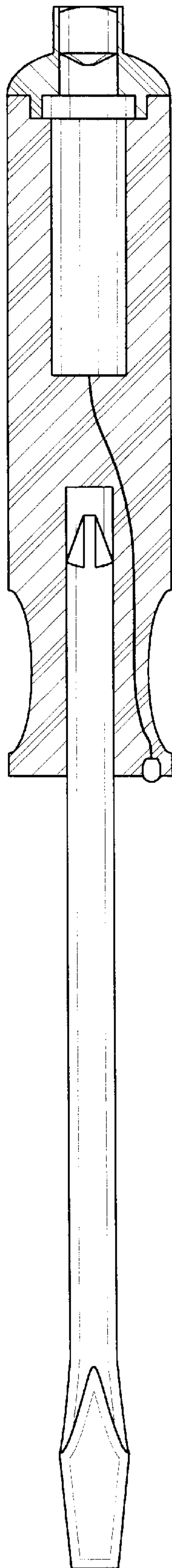


Fig. 7