



US00D401128S

United States Patent [19]

Zurwelle

[11] **Patent Number: Des. 401,128**

[45] **Date of Patent: **Nov. 17, 1998**

[54] **RECIPROCATING SAW**

9108195 6/1992 Germany .

[75] Inventor: **Donald W. Zurwelle**, Lutherville, Md.

OTHER PUBLICATIONS

[73] Assignee: **Black & Decker Inc.**, Newark, Del.

DeWalt Reciprocating Saw, Model No. DW304, Photos 1-7, Ex. A.

[**] Term: **14 Years**

Primary Examiner—Antoine Duval Davis
Attorney, Agent, or Firm—Dennis A. Dearing; John D. Del Ponti; Bruce S. Shapiro

[21] Appl. No.: **74,160**

[22] Filed: **Jul. 29, 1997**

[57] CLAIM

[51] **LOC (6) Cl. 08-03**

[52] **U.S. Cl. D8/64**

[58] **Field of Search D8/64-66, 69;
30/372, 393, 392, 394**

The ornamental design for a reciprocating saw, as shown and described.

DESCRIPTION

[56] References Cited

U.S. PATENT DOCUMENTS

D. 202,255	9/1965	Romain .	
D. 292,368	10/1987	Mikiya .	
D. 327,829	7/1992	Mochida .	
D. 329,794	9/1992	Graham .	
D. 339,510	9/1993	Sakamoto et al.	D8/64
3,945,120	3/1976	Ritz	30/393
5,079,844	1/1992	Palm .	
5,458,346	10/1995	Briggs .	
5,598,636	2/1997	Stolzer	30/394

FIG. 1 is a front perspective view of a reciprocating saw showing my new design;
FIG. 2 is a right side elevational view thereof;
FIG. 3 is a left side elevational view thereof;
FIG. 4 is a front elevational view thereof;
FIG. 5 is a rear elevational view thereof;
FIG. 6 is a top plan view thereof; and,
FIG. 7 is a bottom plan view thereof.

The broken line showing is for illustrative purposes only and forms no part of the claimed design.

FOREIGN PATENT DOCUMENTS

9006458 8/1991 Germany .

1 Claim, 5 Drawing Sheets

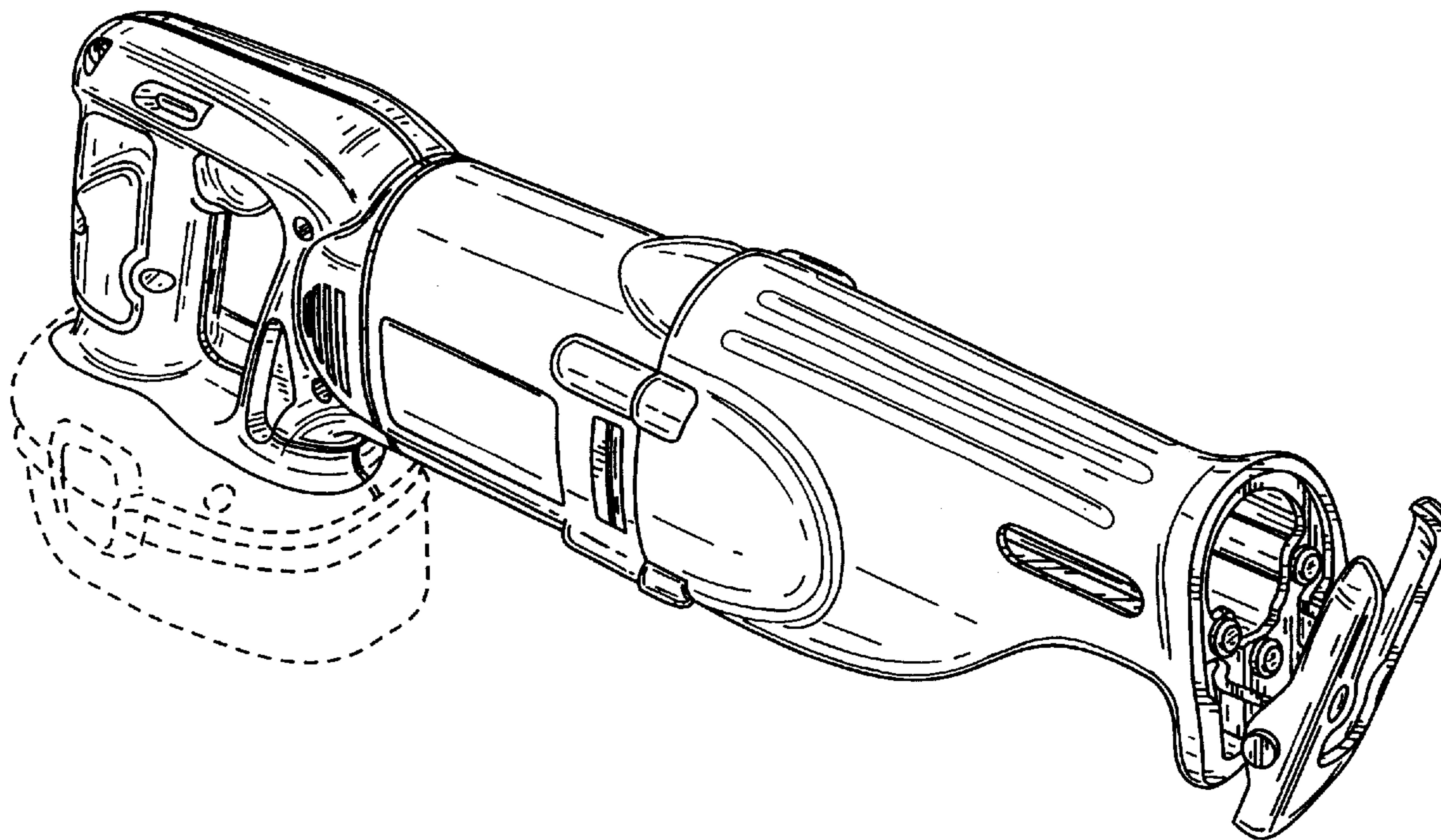


FIG. 1

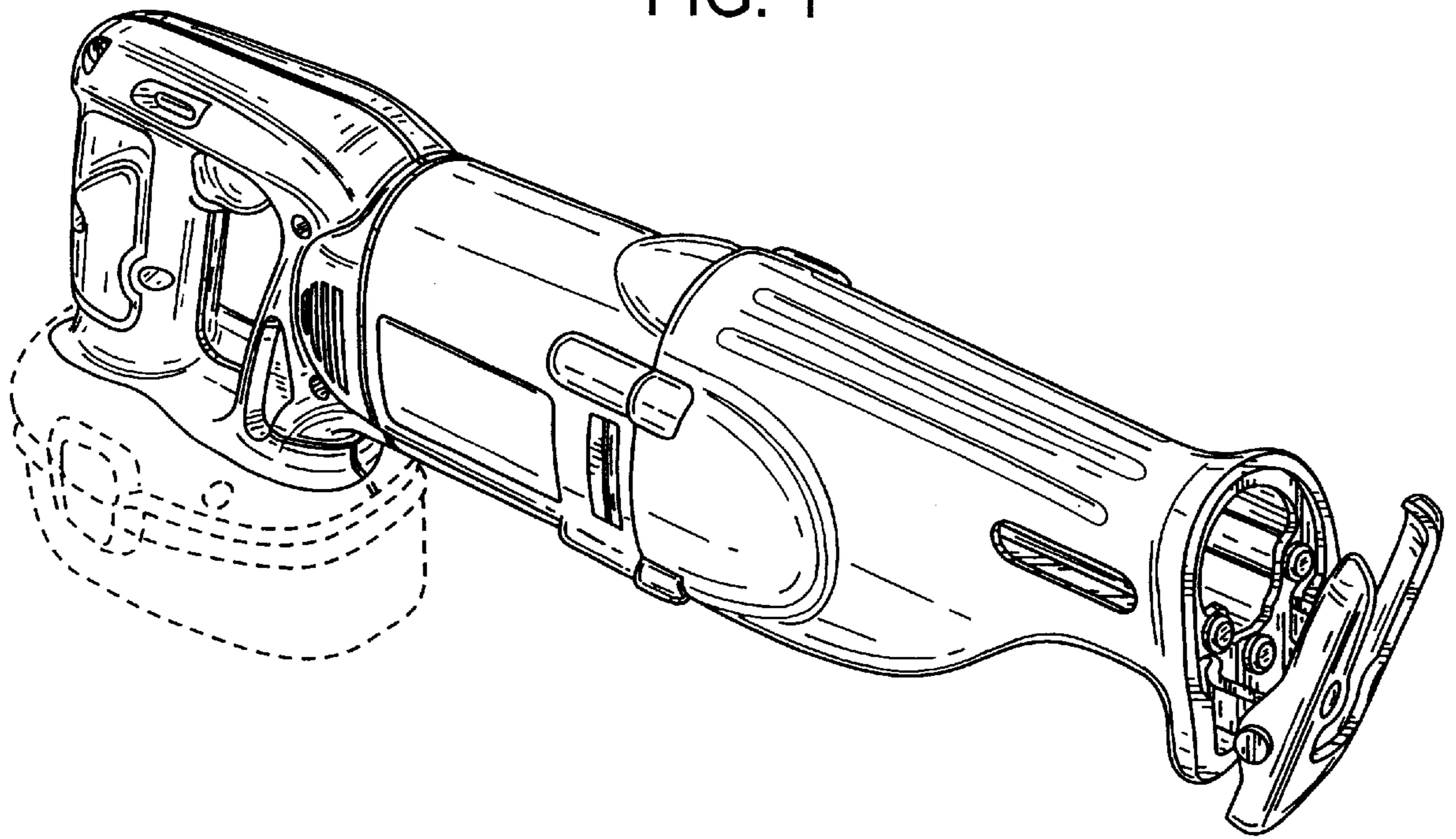


FIG. 2

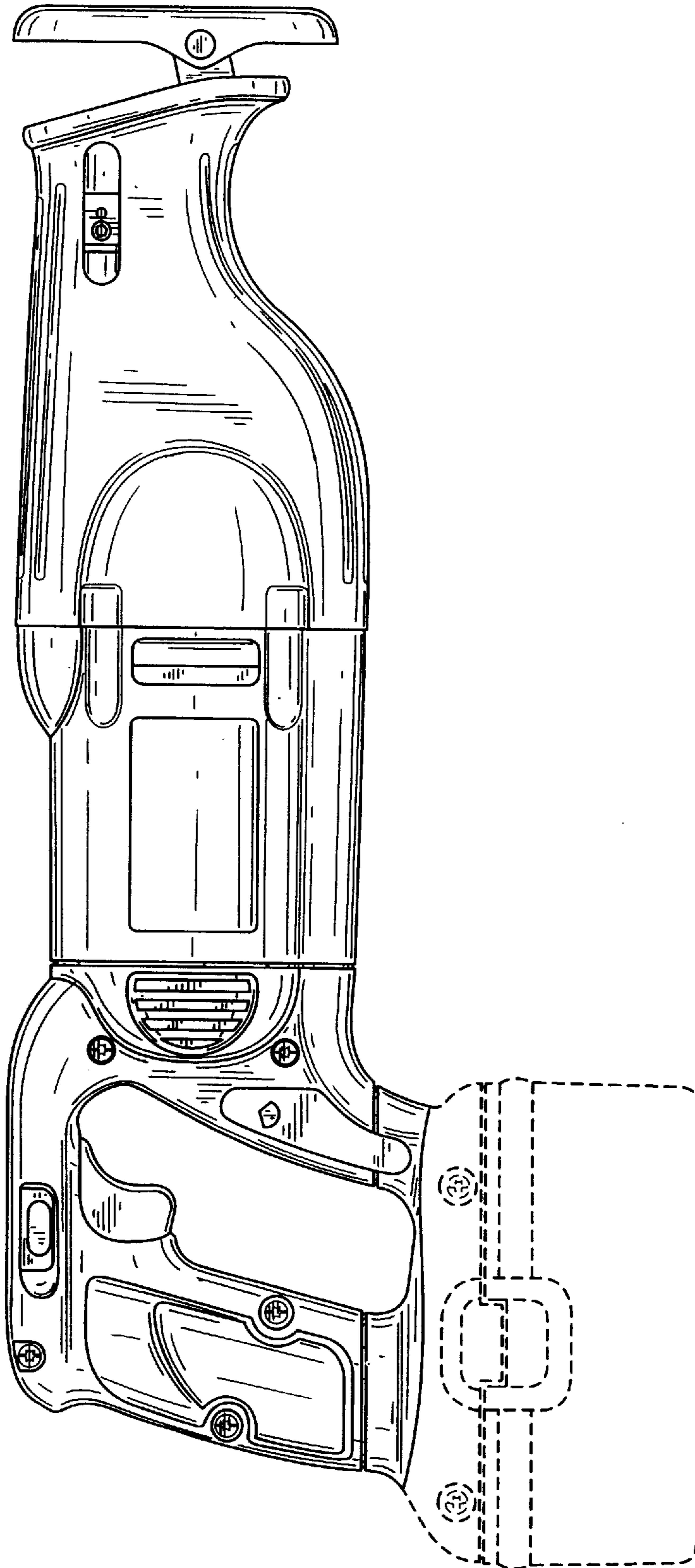


FIG. 3

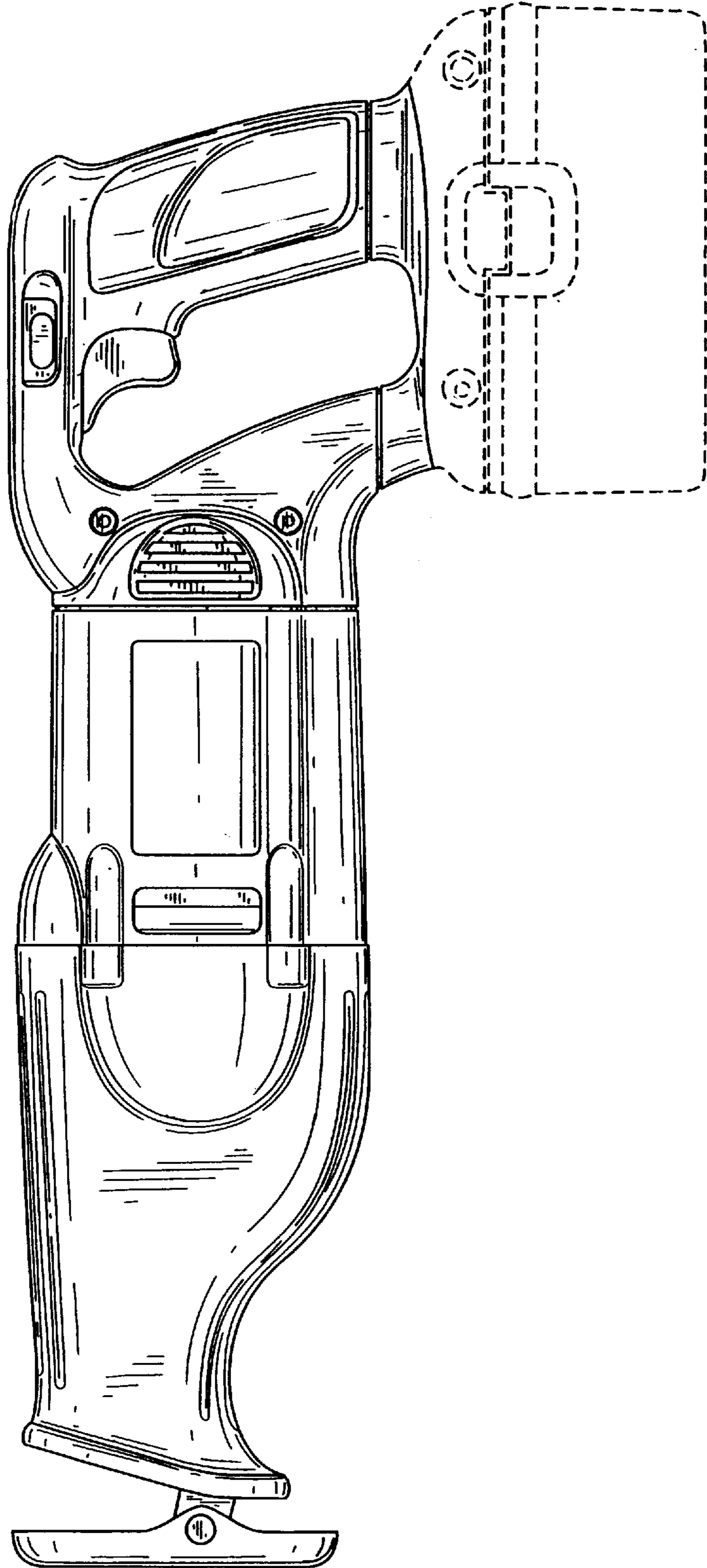


FIG. 4

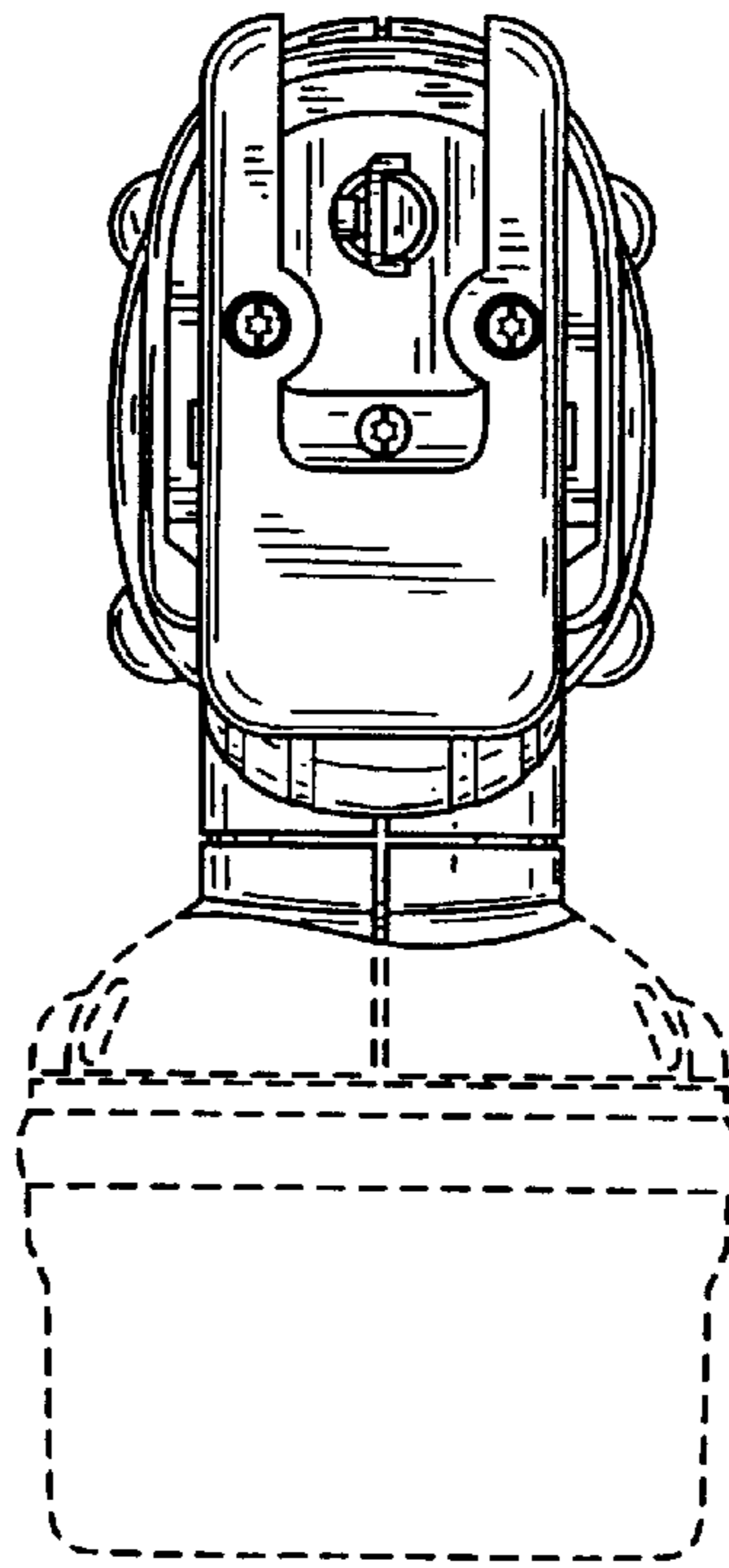


FIG. 5

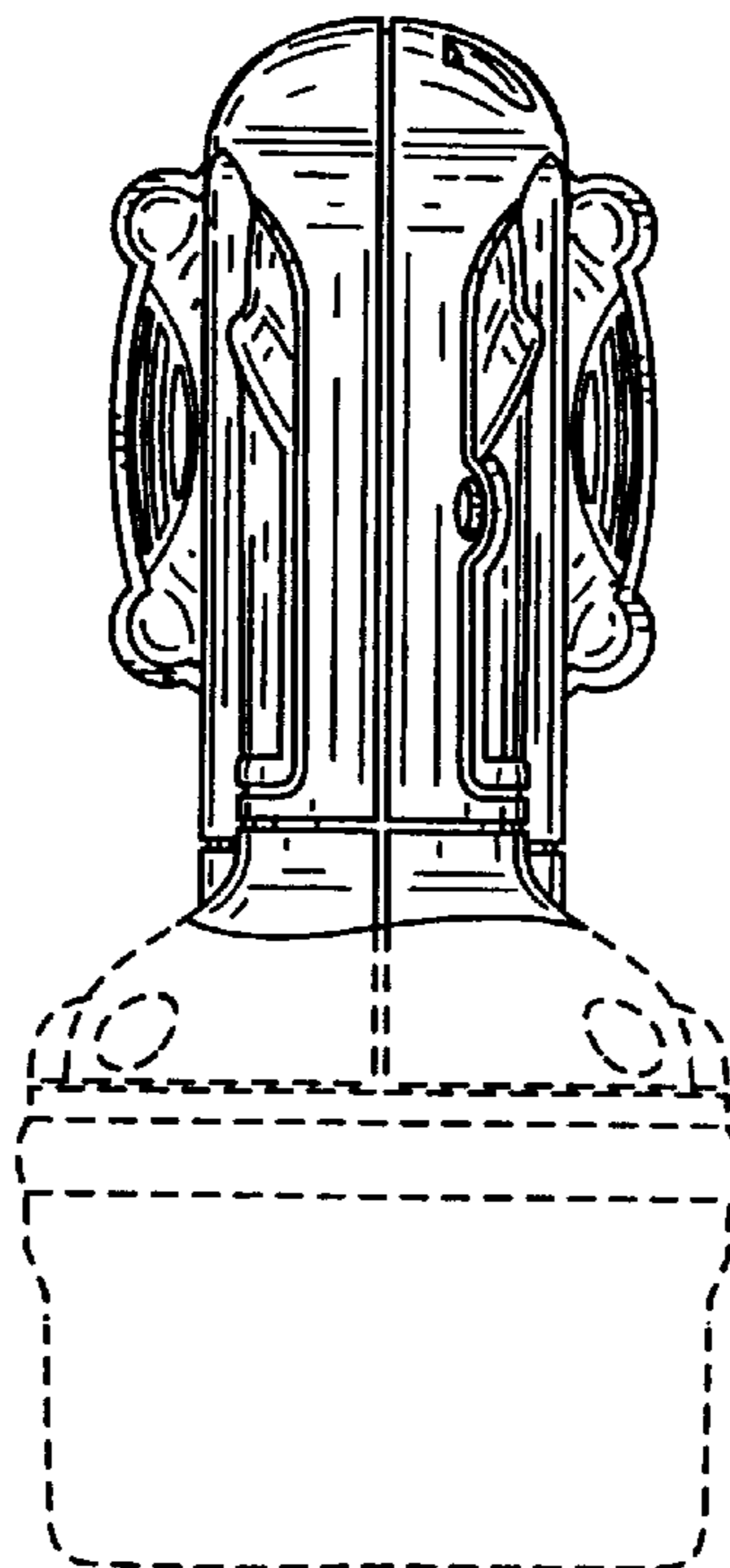


FIG. 6

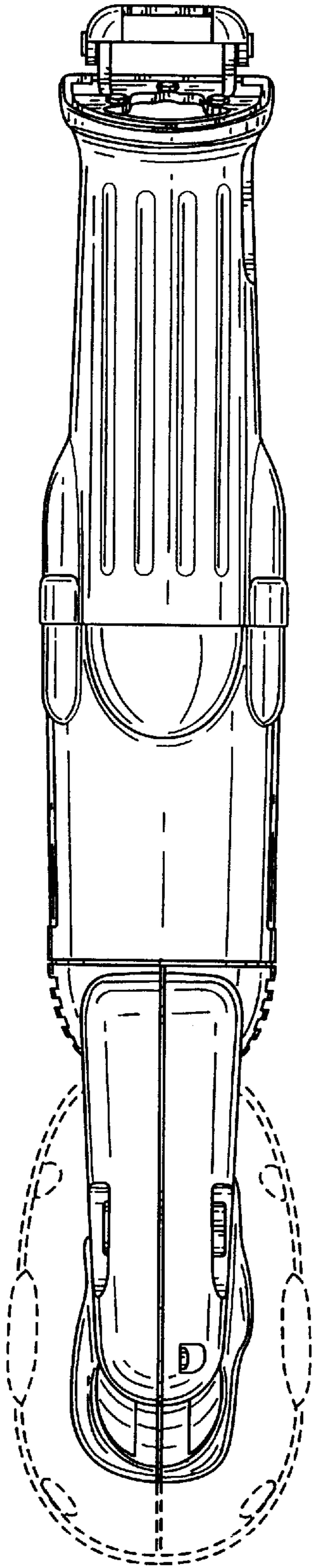


FIG. 7

