



US00D401127S

United States Patent [19]
Plantz et al.

[11] **Patent Number: Des. 401,127**
[45] **Date of Patent: **Nov. 17, 1998**

[54] **JAR OPENER AND CLOSER**
[75] Inventors: **Jeffrey S. Plantz**, Seven Hills;
Nicholas E. Stanca, Westlake, both of
Ohio

| | | | |
|-----------|---------|---------------|---------|
| 4,414,865 | 11/1983 | Brooks et al. | 81/3.1 |
| 4,455,894 | 6/1984 | Roberts | 81/3.1 |
| 4,702,129 | 10/1987 | Allen | 81/3.09 |
| 4,760,763 | 8/1988 | Trick et al. | 81/3.09 |
| 4,790,220 | 12/1988 | Lloyd | 81/3.09 |
| 4,911,038 | 3/1990 | Ferrin | 81/3.09 |

[73] Assignee: **Magic American Corporation**,
Cleveland, Ohio

FOREIGN PATENT DOCUMENTS

[**] Term: **14 Years**

| | | |
|--------------------|--------|------------------|
| 2084549 | 8/1981 | United Kingdom . |
| 2186868 | 2/1987 | United Kingdom . |
| 2258227 | 7/1992 | United Kingdom . |
| PCT/GB95/ 01714 | 7/1995 | WIPO . |

[21] Appl. No.: **74,848**

[22] Filed: **Aug. 11, 1997**

[51] **LOC (6) Cl.** **07-99**

[52] **U.S. Cl.** **D8/33; D8/33**

[58] **Field of Search** **D8/18, 19, 33-43;**
7/151; 30/400; 81/3.09, 3.4

Primary Examiner—Caron D. Veynar
Attorney, Agent, or Firm—Benesch, Friedlander, Coplan &
Aronoff LLP

[57] **CLAIM**

The ornamental design for jar opener and closer, as shown
and described.

[56] **References Cited**

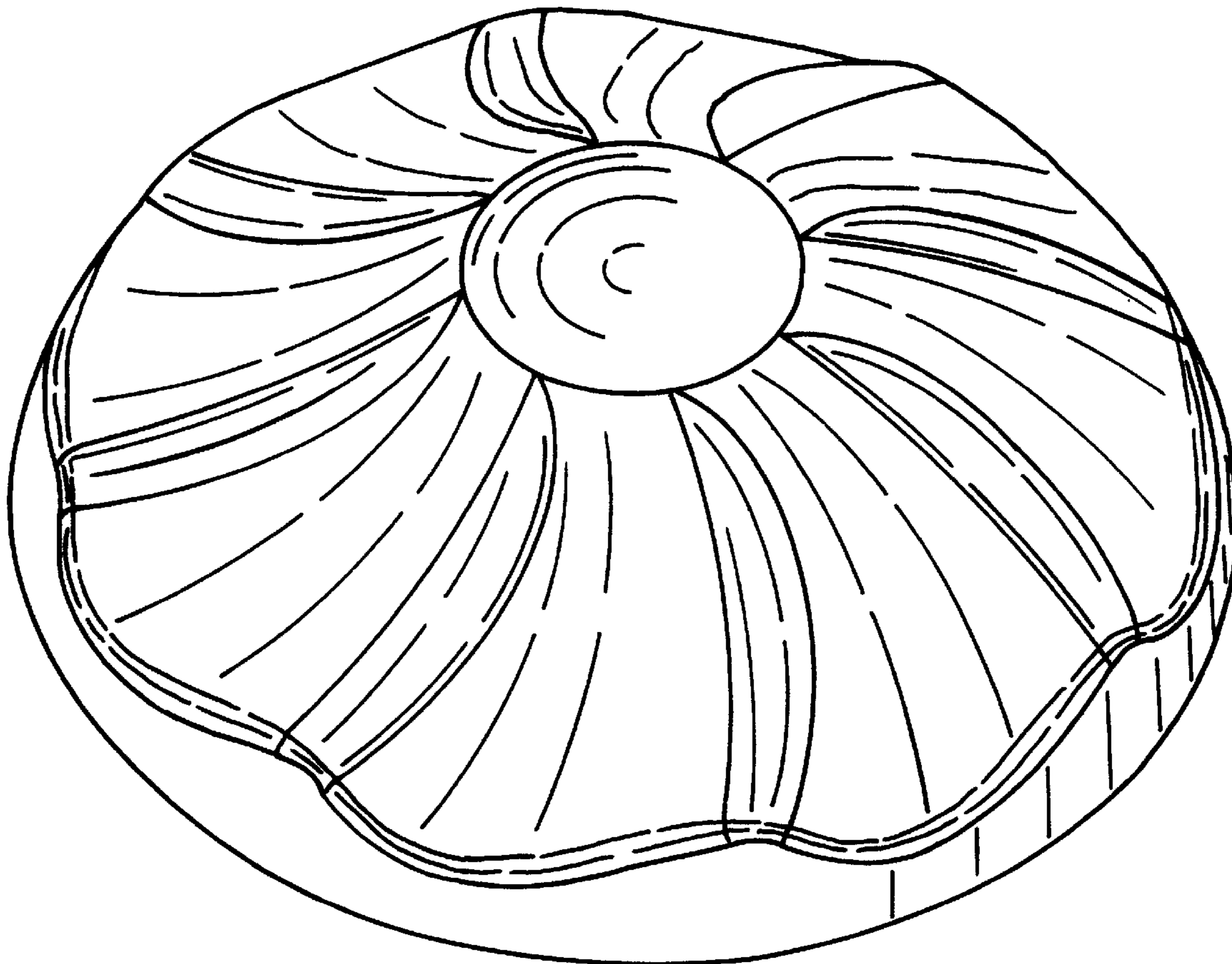
U.S. PATENT DOCUMENTS

| | | | |
|------------|---------|-----------|---------|
| D. 184,726 | 3/1959 | Gill | D8/40 |
| D. 208,875 | 10/1967 | Fiegel | D8/18 |
| D. 365,261 | 12/1995 | Munro | D8/40 |
| 1,661,333 | 3/1928 | Gurnett | 81/3.09 |
| 2,235,313 | 3/1941 | Cleveland | 81/3.4 |
| 2,761,337 | 9/1956 | Daniel | 81/3.4 |
| 2,985,044 | 5/1961 | Gill | 81/3.4 |
| 4,001,904 | 1/1977 | Gill | 7/14.6 |
| 4,073,205 | 2/1978 | Silliman | 81/3.1 |

DESCRIPTION

FIG. 1 is a top perspective view of the jar opener and closer,
showing our new design;
FIG. 2 is a front elevational view thereof, all other side
views being identical;
FIG. 3 is a bottom plan view thereof; and,
FIG. 4 is a top plan view.

1 Claim, 2 Drawing Sheets



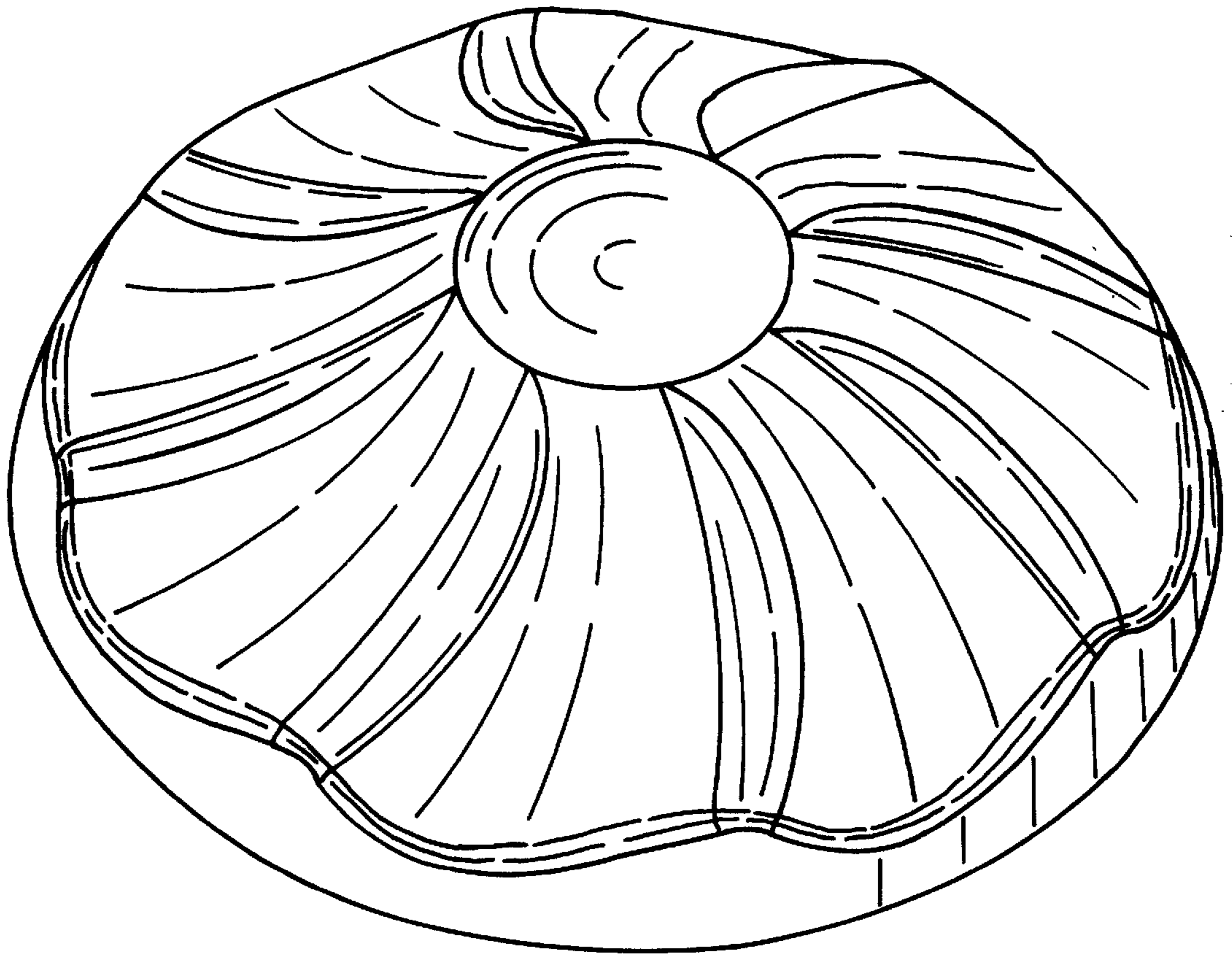


Fig. 1

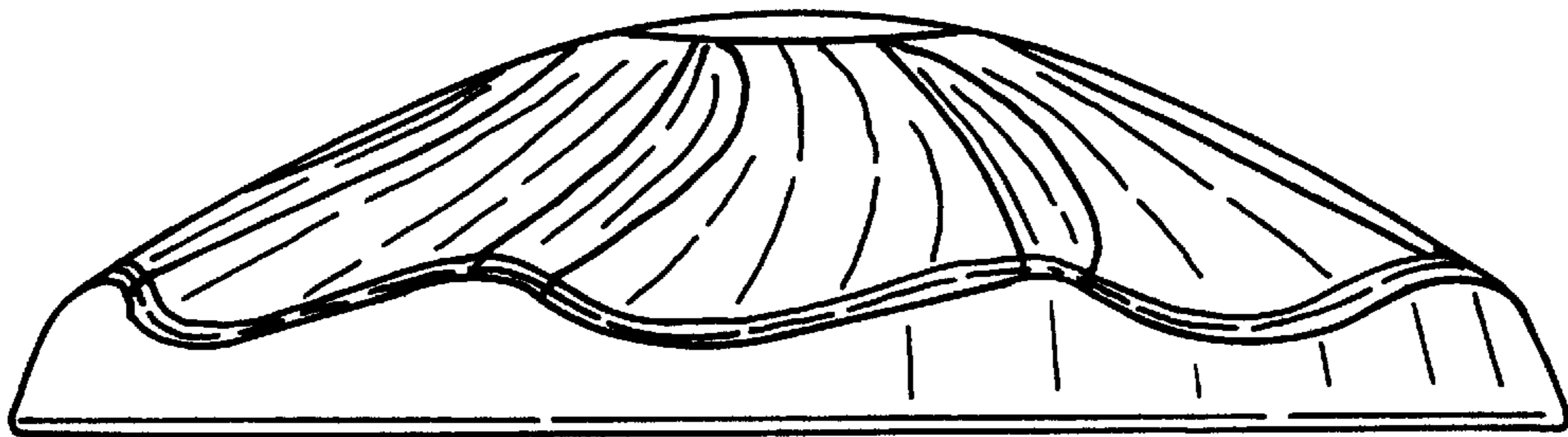


Fig. 2

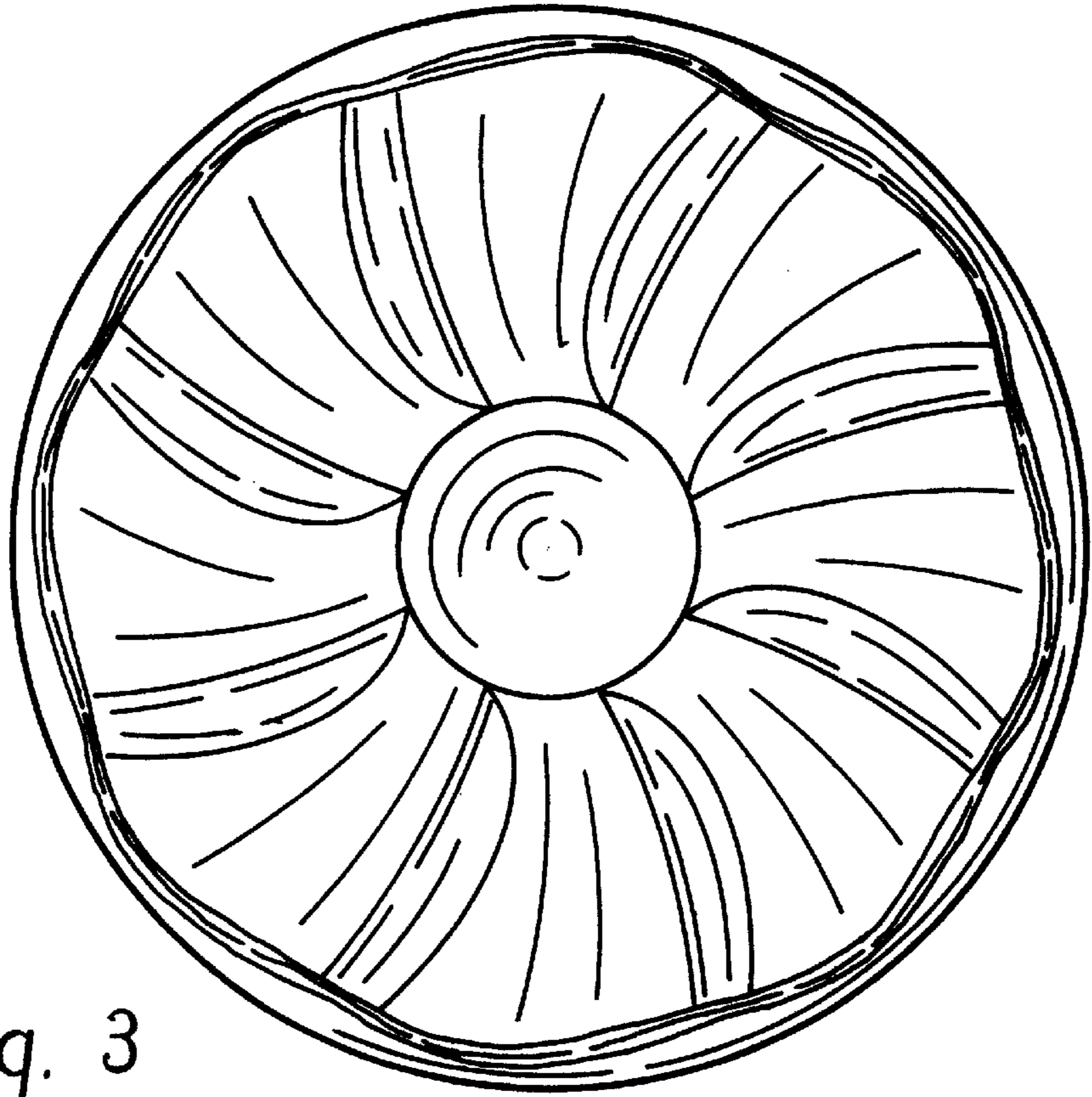


Fig. 3

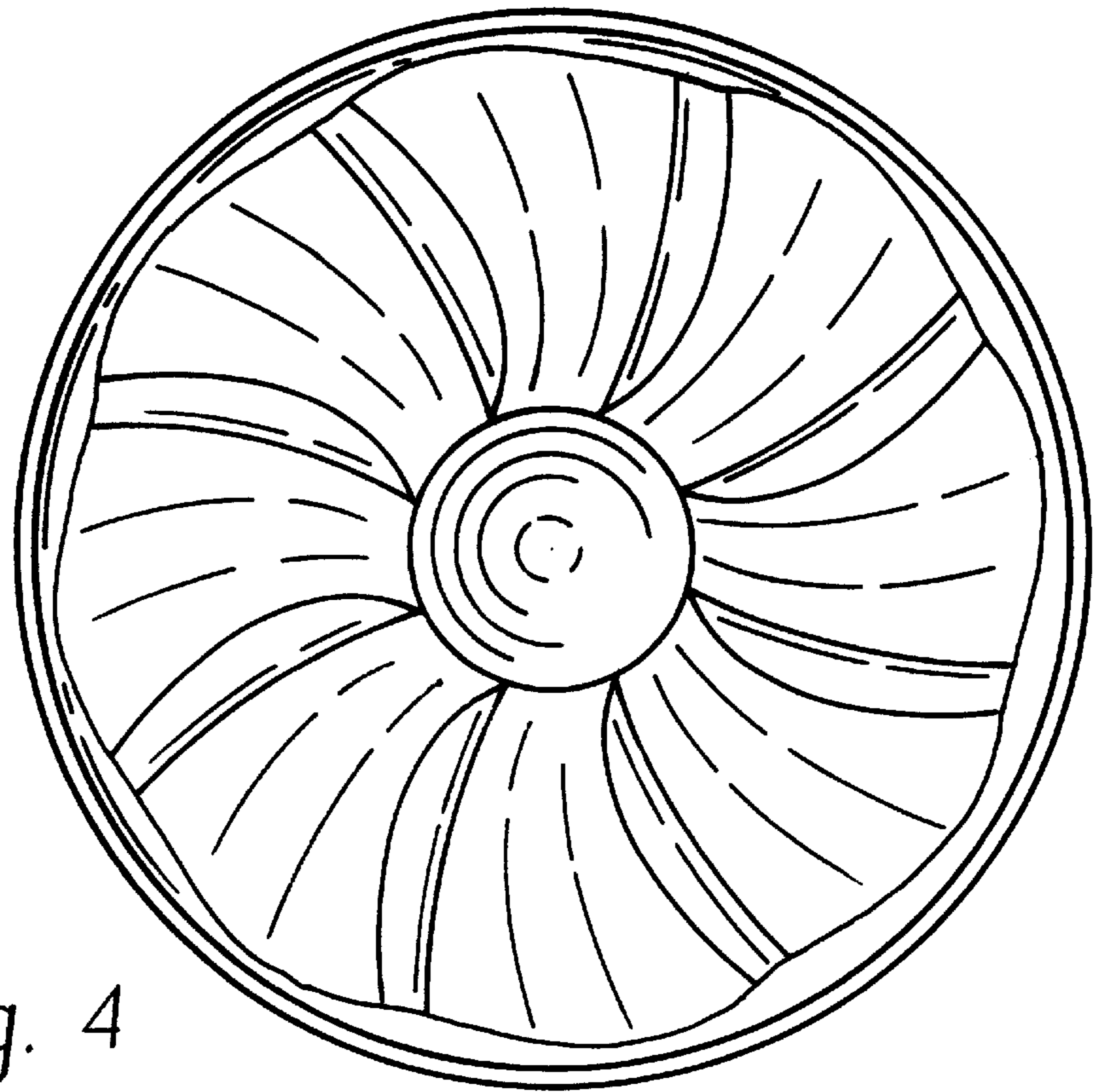


Fig. 4