



US00D401124S

United States Patent [19] Rose

[11] **Patent Number: Des. 401,124**

[45] **Date of Patent: **Nov. 17, 1998**

[54] **SPIKE TO FACILITATE INSERTION OF A PLANT WATERING SPIKE**

191175 8/1937 Switzerland .
453429 9/1936 United Kingdom .

[76] Inventor: **Andrew D. Rose**, 8813 E. Charter Oak Dr., Scottsdale, Ariz. 85260

Primary Examiner—Doris V. Coles
Assistant Examiner—Catherine R. Oliver
Attorney, Agent, or Firm—Franklin Gubernick

[**] Term: **14 Years**

[57] **CLAIM**

[21] Appl. No.: **65,565**

The ornamental design for a spike to facilitate insertion of a plant watering spike, as shown.

[22] Filed: **Jan. 29, 1997**

DESCRIPTION

Related U.S. Application Data

[63] Continuation-in-part of Ser. No. 594,346, Jan. 30, 1996, Pat. No. 5,692,338.

[51] **LOC (6) Cl.** **08-01**

[52] **U.S. Cl.** **D8/1**

[58] **Field of Search** D8/1; 47/48.5,
47/44, 79, 80

FIG. 1 is a top plan view of a spike to facilitate insertion of a plant watering spike, showing my new design; FIG. 2 is a front elevational view thereof; FIG. 3 is a right-side elevational view thereof; FIG. 4 is a left-side elevational view thereof; FIG. 5 is a rear elevational view thereof; FIG. 6 is a bottom view thereof; FIG. 7 is a cross-sectional view shown along lines 7—7; FIG. 8 is a first perspective view thereof; FIG. 9 is a second perspective view thereof; FIG. 10 is a top plan view of a second embodiment of a spike to facilitate insertion of a plant watering spike; FIG. 11 is a front elevational view, the rear, left and right sides being identical thereto; FIG. 12 is a bottom view thereof; and, FIG. 13 is a cross-sectional view shown along lines 13—13 in FIG. 10.

[56] References Cited

U.S. PATENT DOCUMENTS

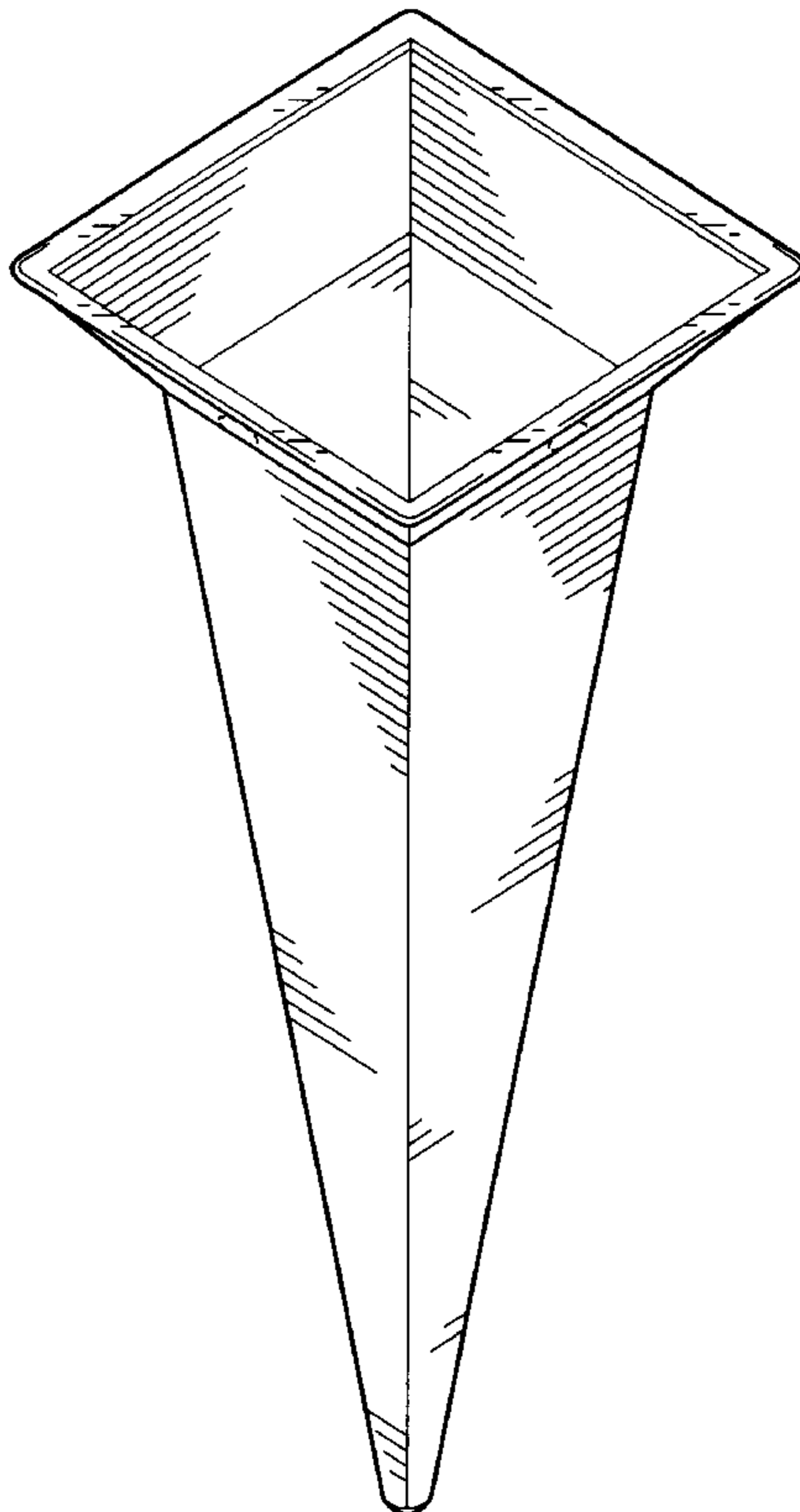
1,791,873 2/1931 Neiman .
2,145,934 2/1939 Kingman .
3,151,415 10/1964 James .
4,753,394 6/1988 Goodman 47/48.5 X
4,866,880 9/1989 Weinblatt .
4,870,781 10/1989 Jones 47/48.5 X
5,172,515 12/1992 Lapshansky, Sr. et al. 47/48.5

The structure indicated in the drawing figures by broken lines is not part of the design sought to be patented in this application.

FOREIGN PATENT DOCUMENTS

1104205 11/1955 France .
2642624 3/1978 Germany .

1 Claim, 4 Drawing Sheets



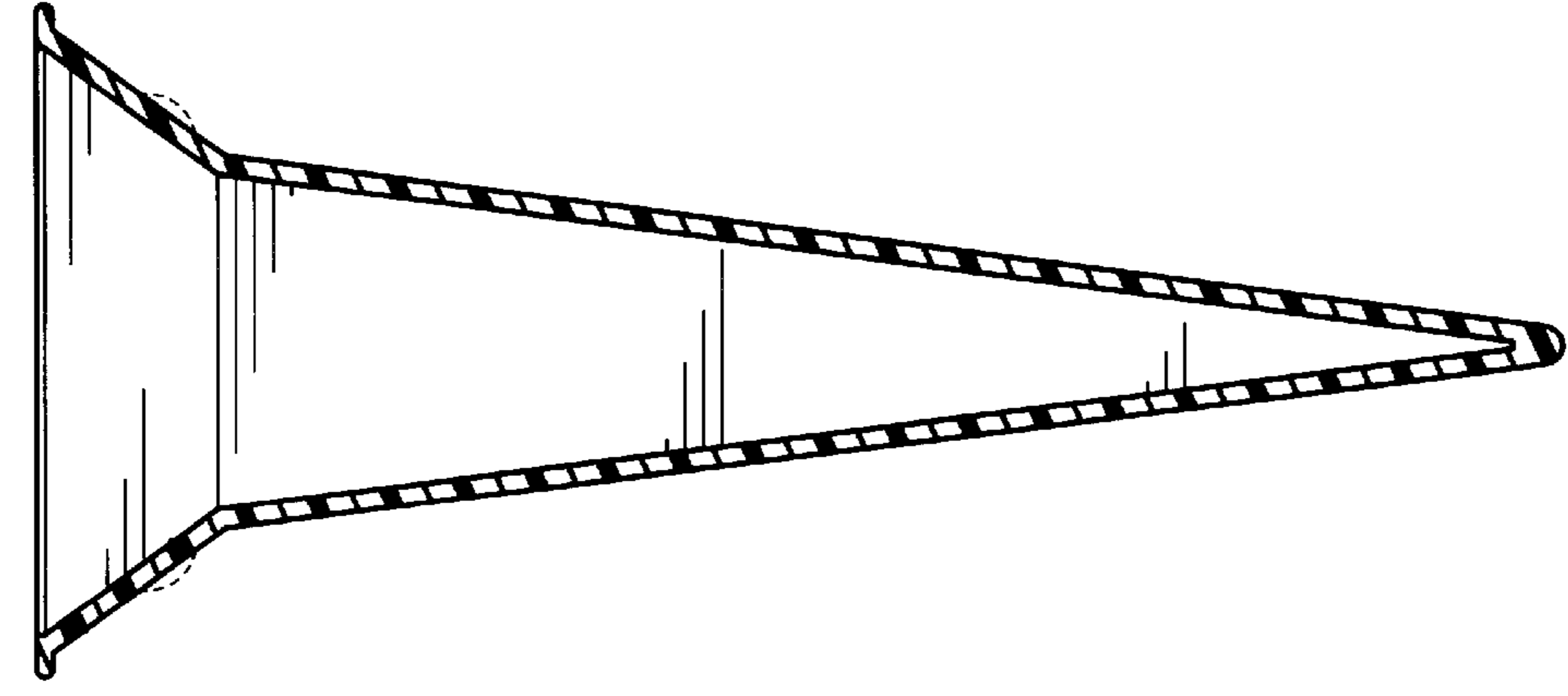


FIG. 7

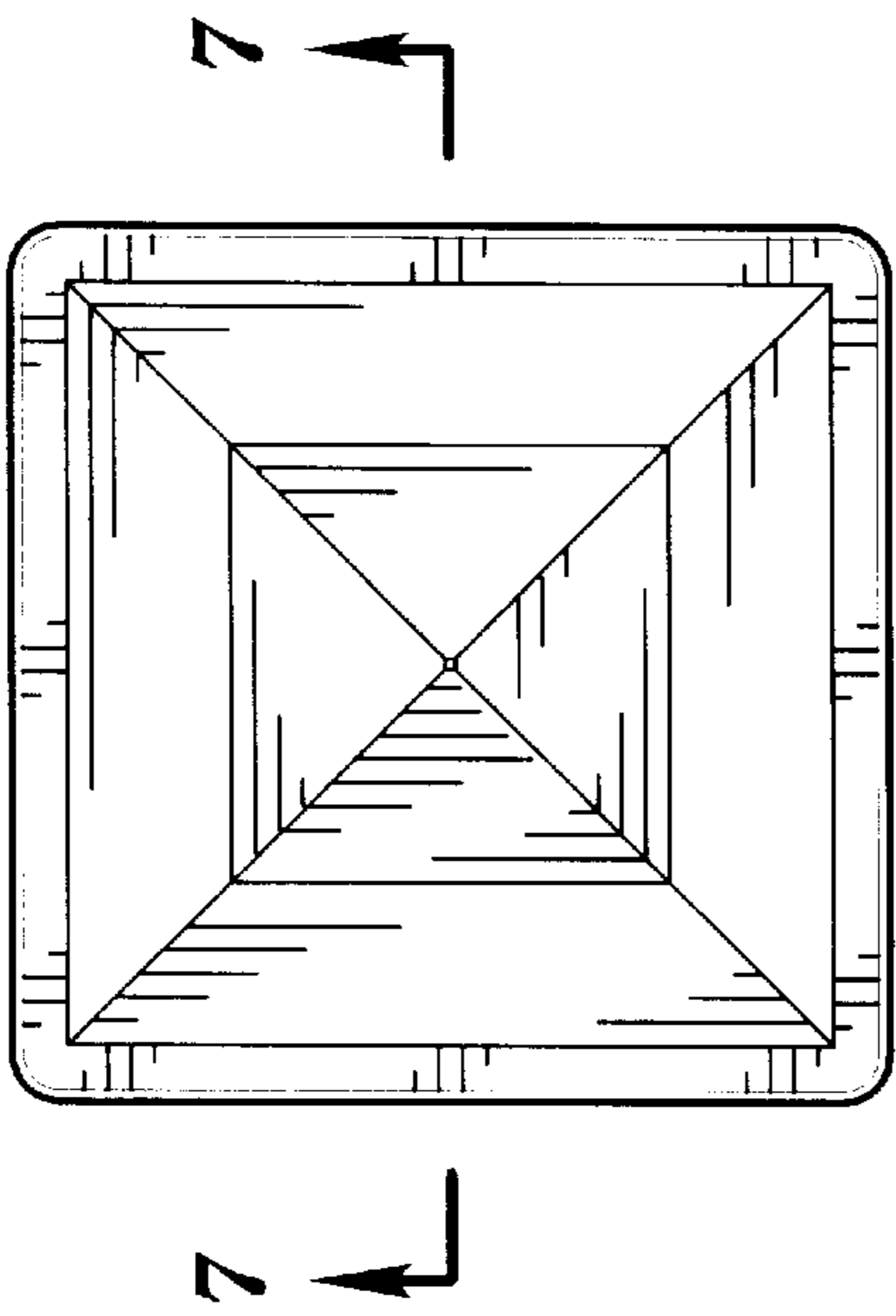


FIG. 1

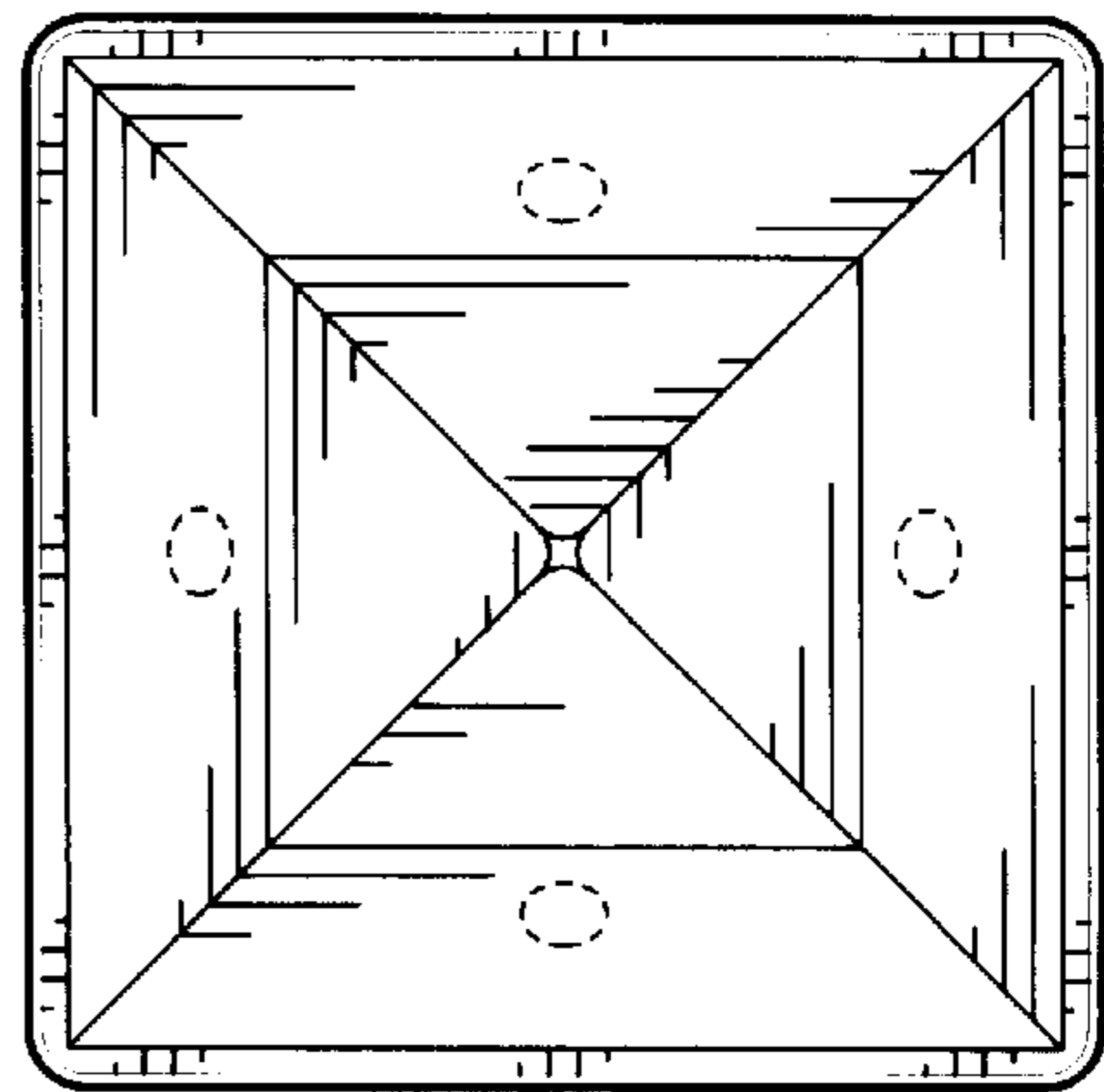


FIG. 6

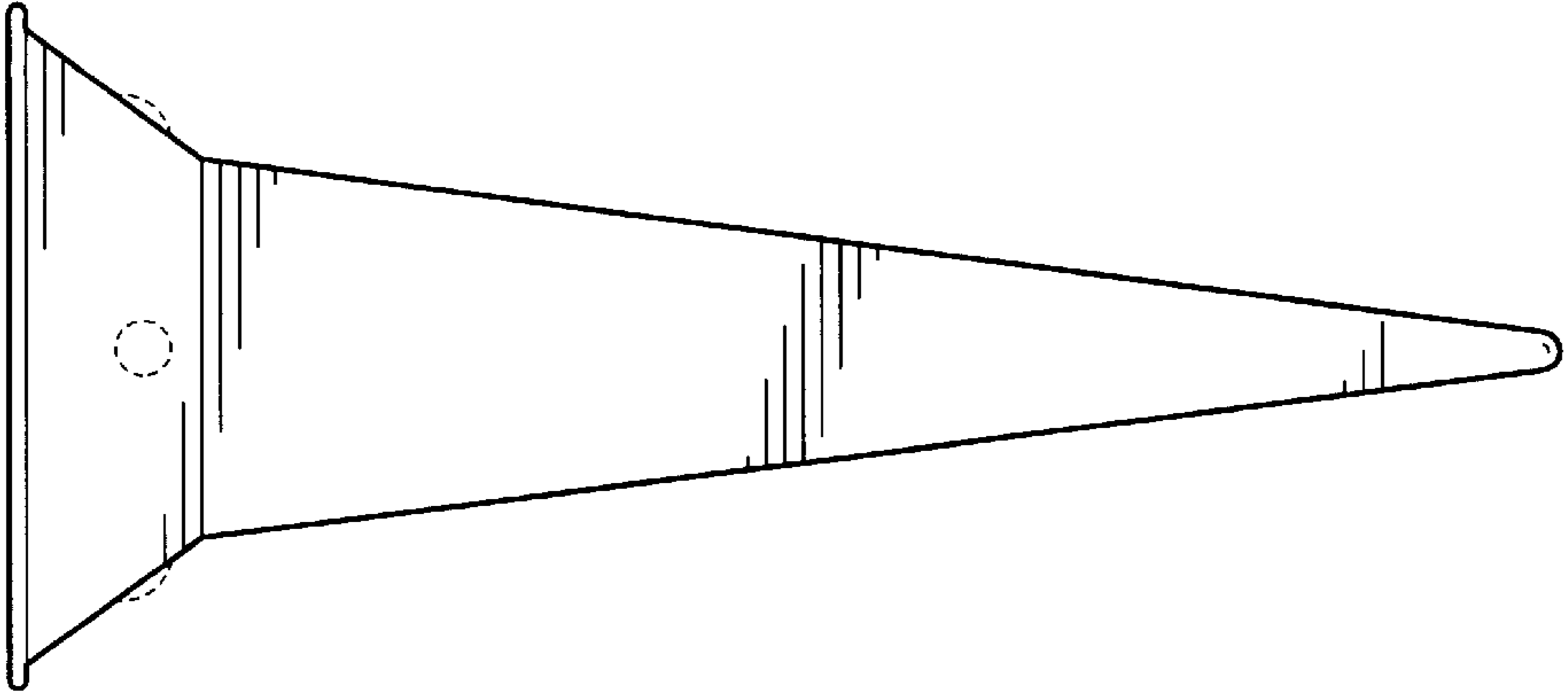


FIG. 5

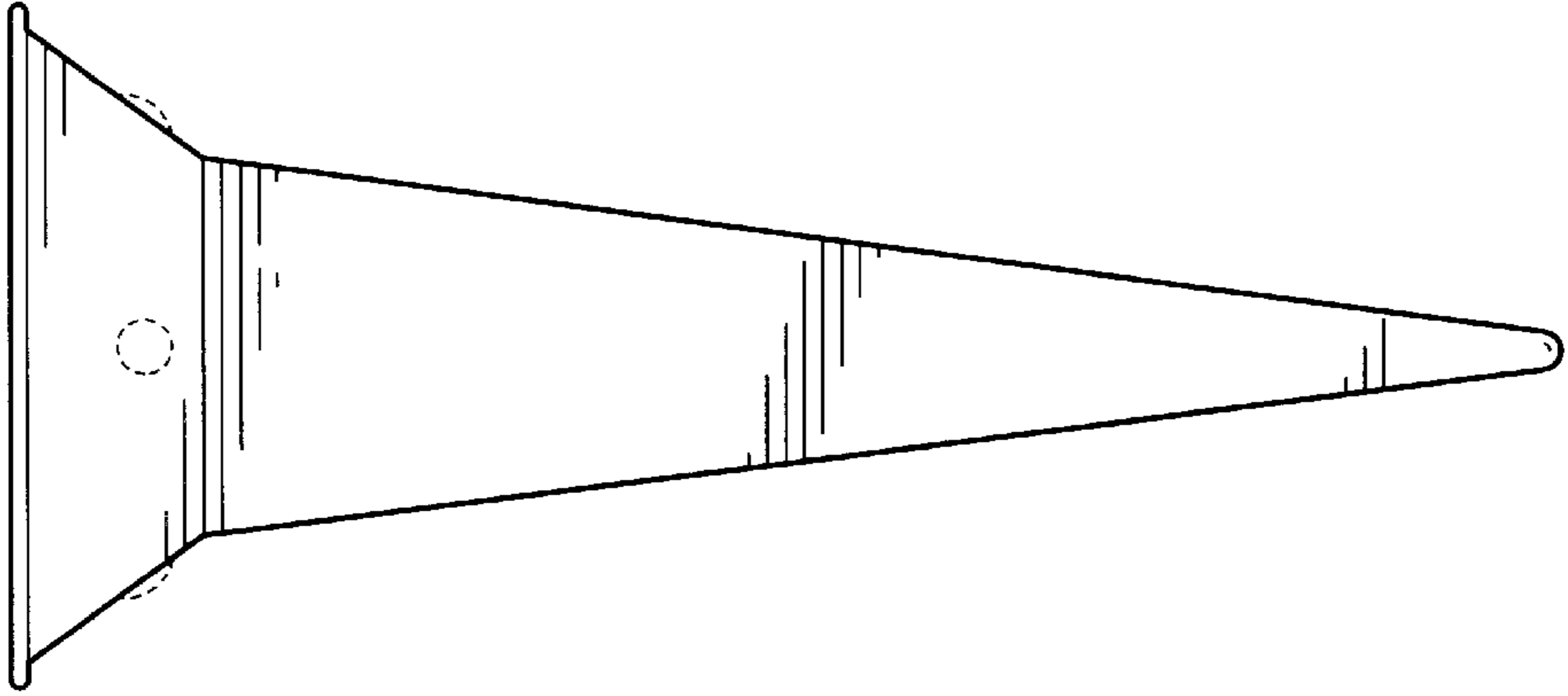


FIG. 4

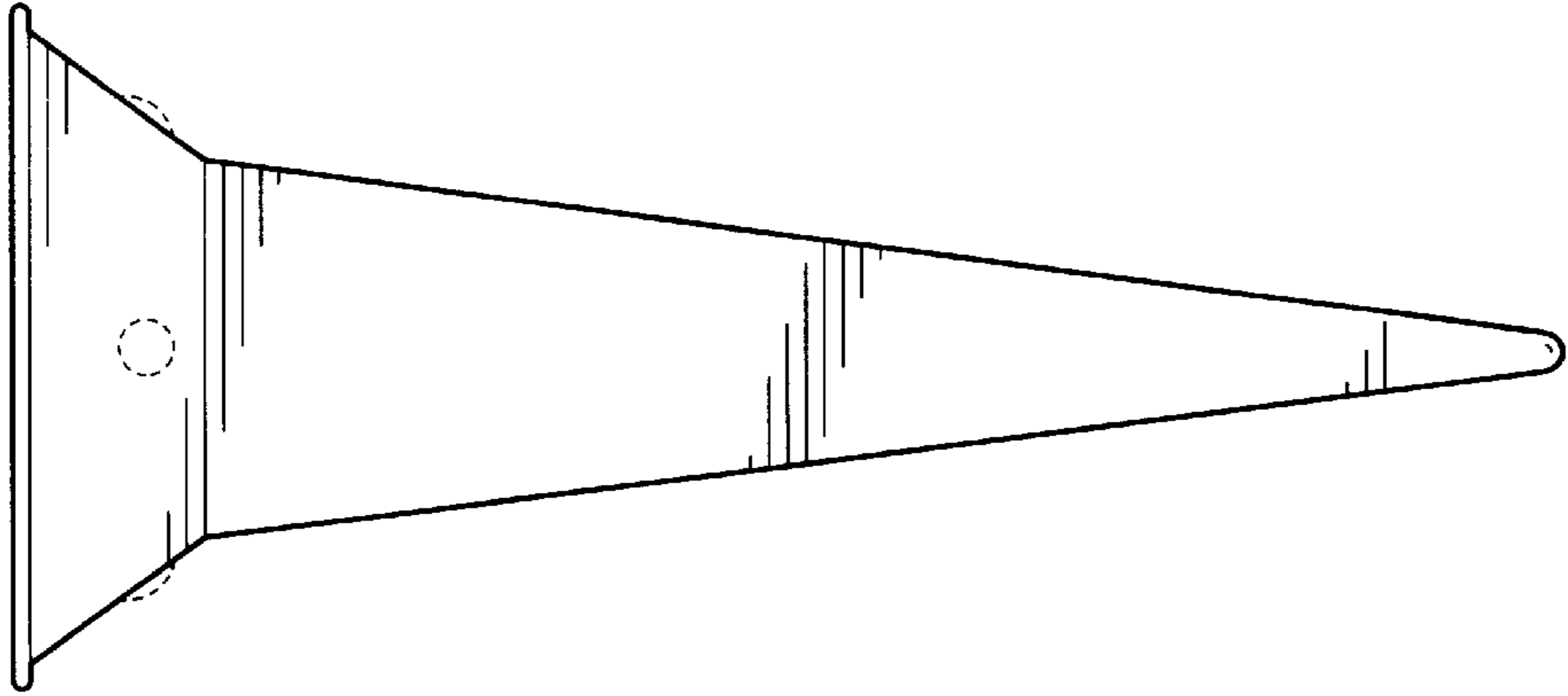


FIG. 3

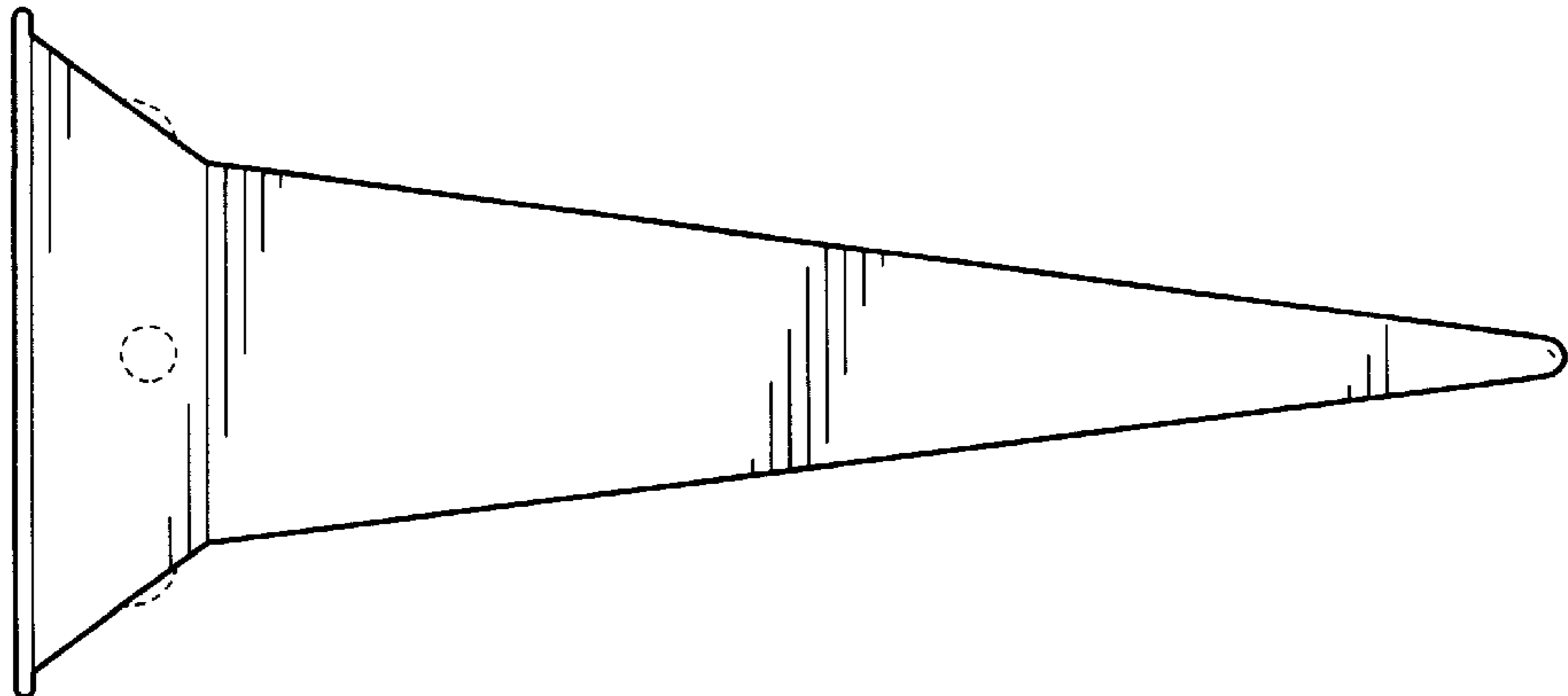


FIG. 2

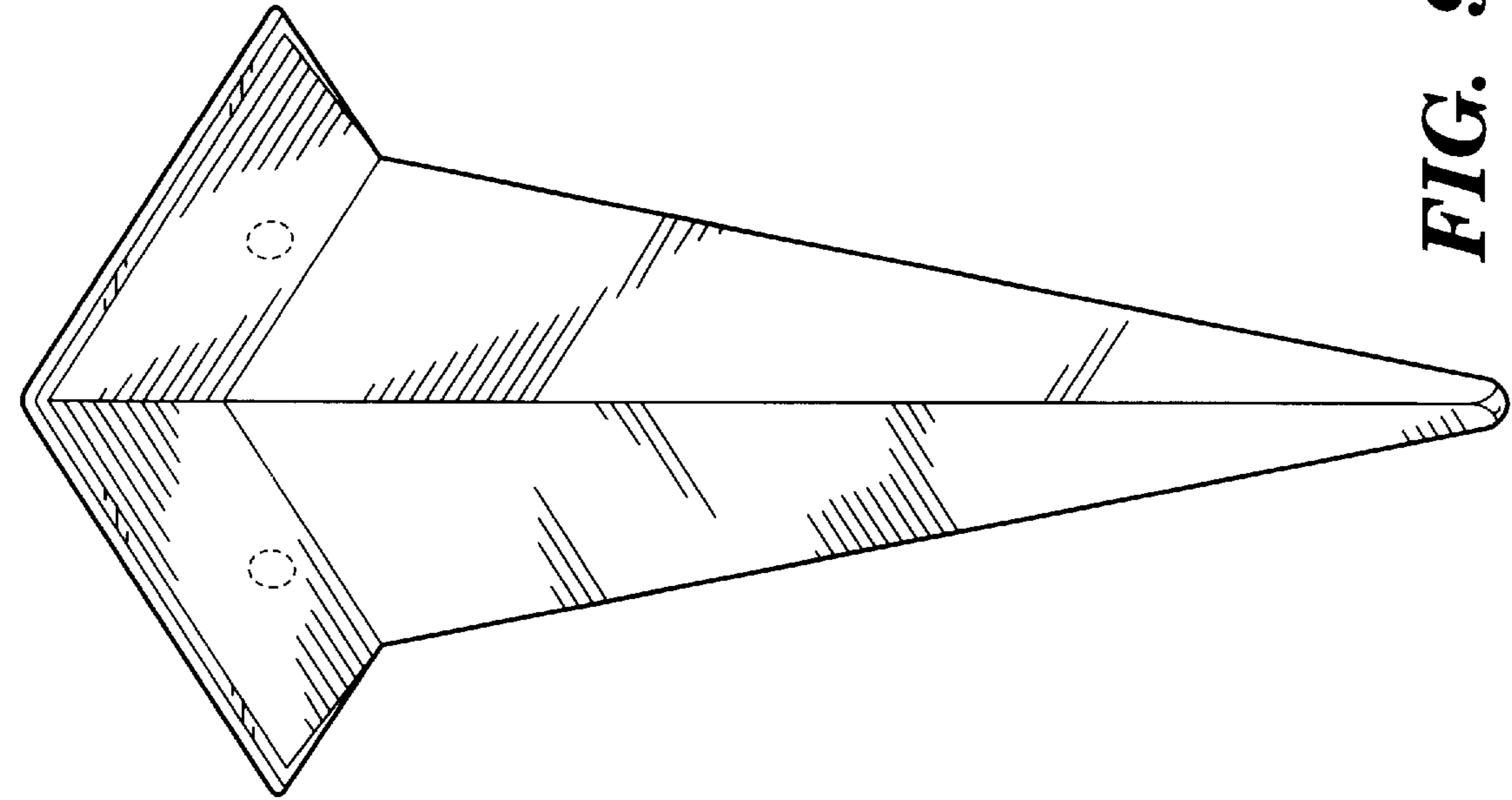


FIG. 9

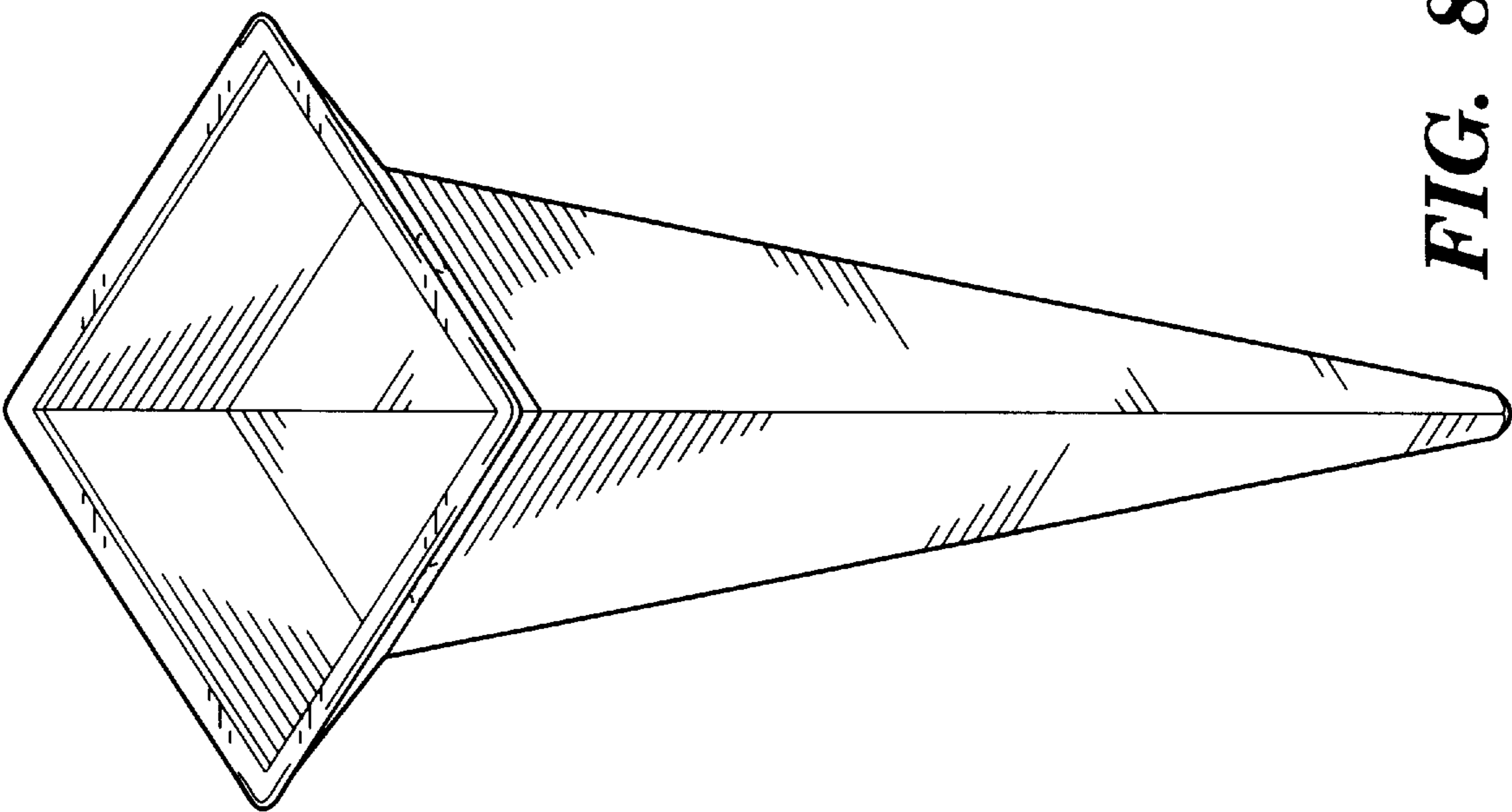


FIG. 8

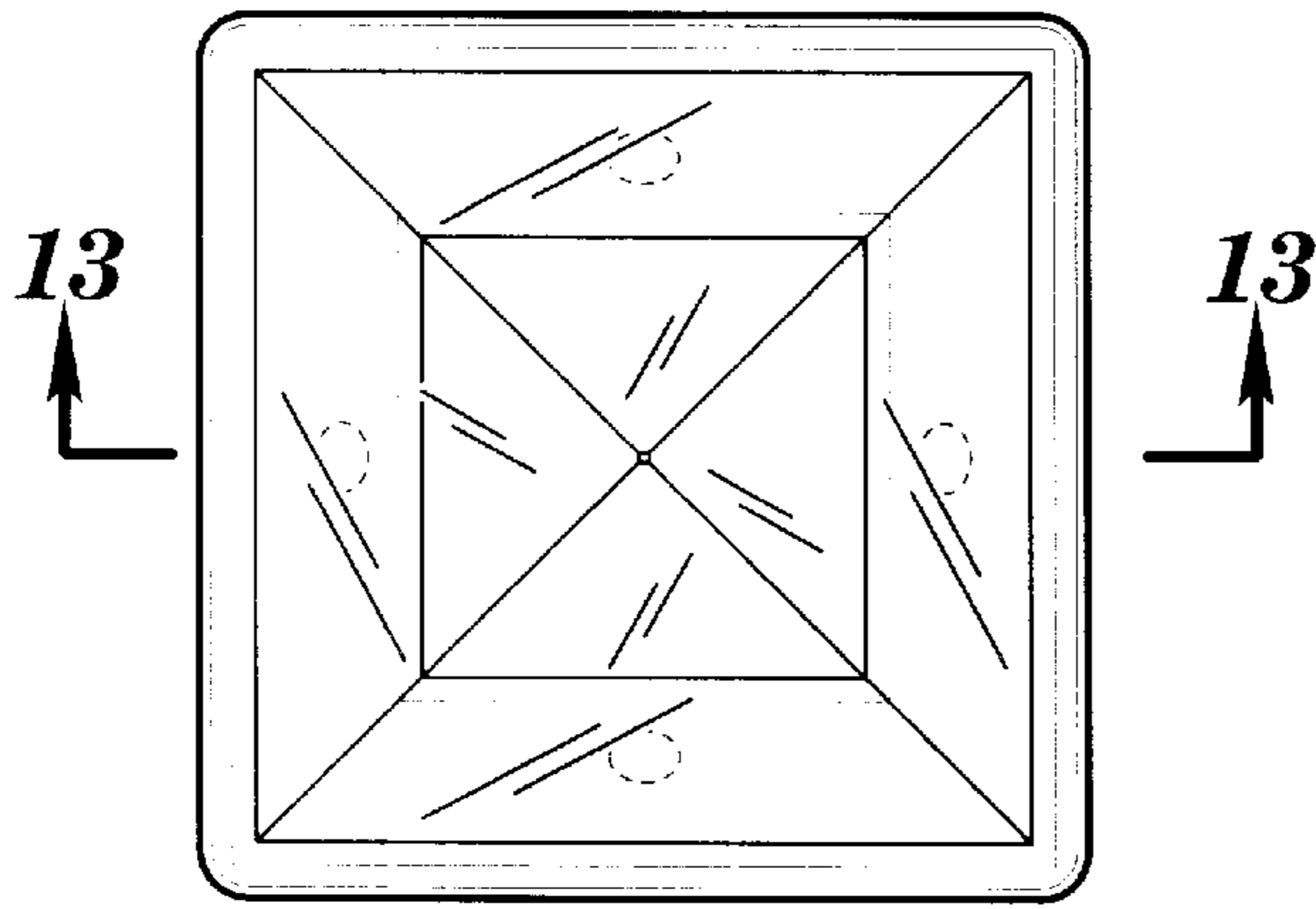


FIG. 10

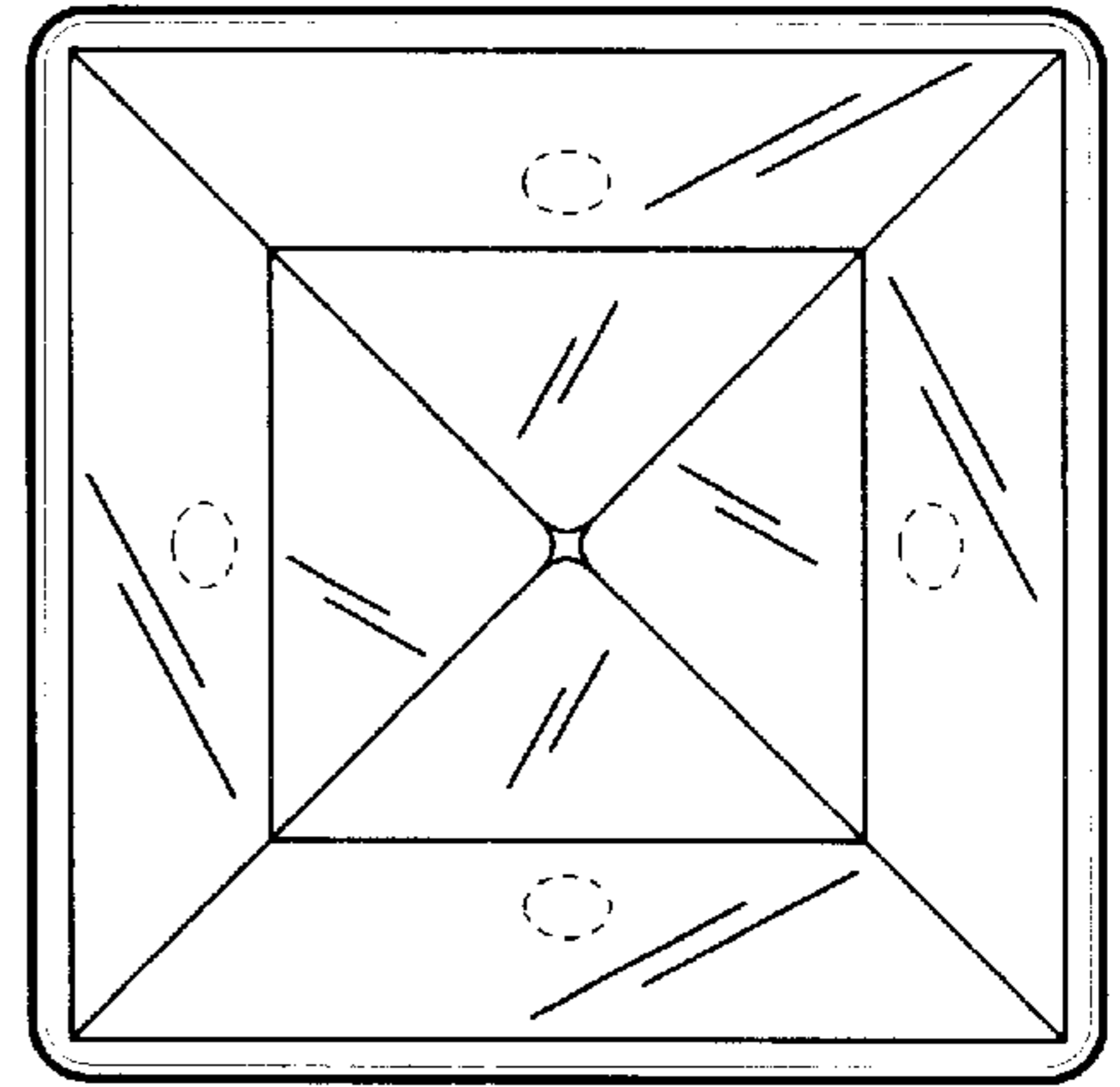


FIG. 12

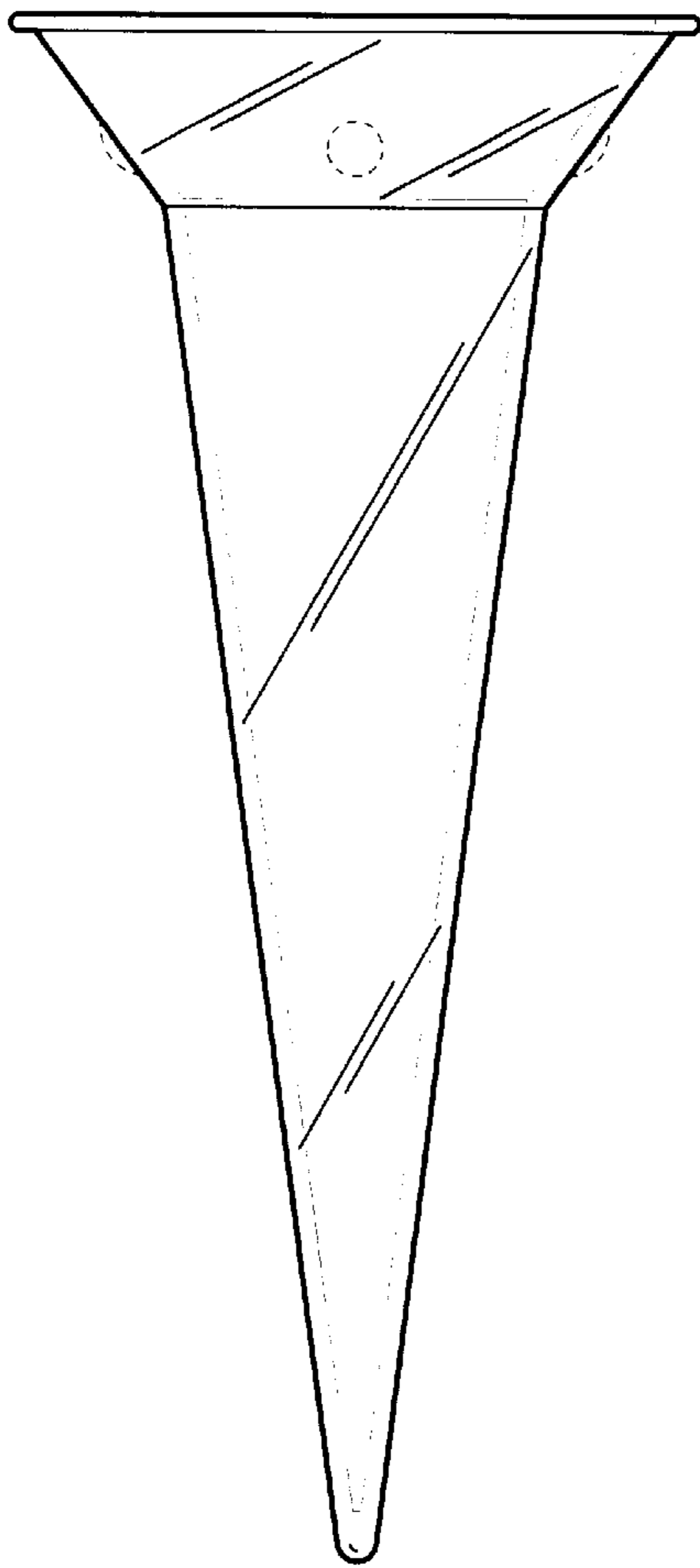


FIG. 11

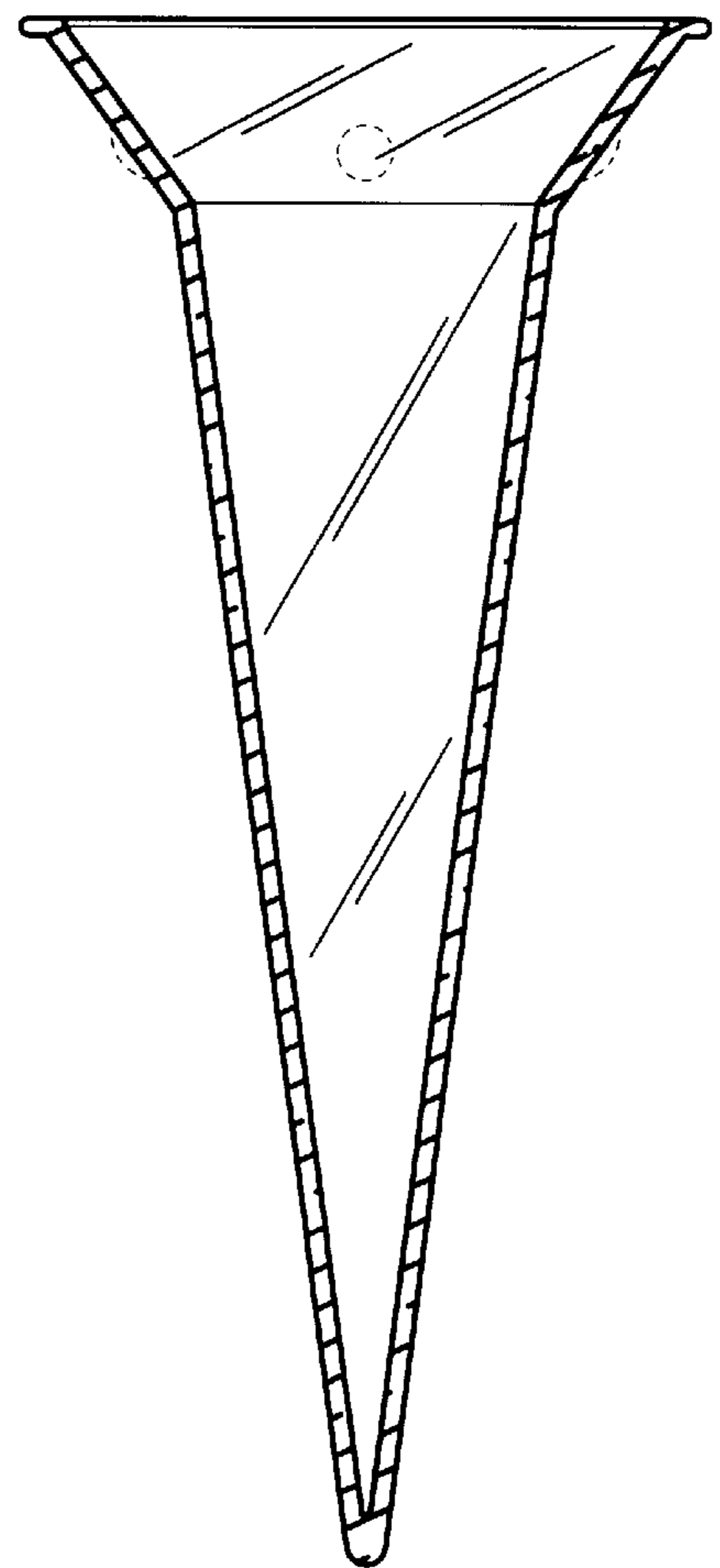


FIG. 13