



US00D401119S

# United States Patent [19]

Demore

[11] **Patent Number: Des. 401,119**

[45] **Date of Patent: \*\*Nov. 17, 1998**

## [54] TRAY FOR BREAD STORAGE CONTAINER

[75] Inventor: **Anthony Demore**, Copley, Ohio

[73] Assignee: **Rubbermaid Incorporated**, Wooster, Ohio

[\*\*] Term: **14 Years**

[21] Appl. No.: **82,807**

[22] Filed: **Oct. 10, 1997**

[51] **LOC (6) Cl.** ..... **07-07**

[52] **U.S. Cl.** ..... **D7/609; D7/502**

[58] **Field of Search** ..... D7/602, 609, 629, D7/502, 673; 220/553; 206/557, 564; 83/761, 875, 395

## [56] **References Cited**

### U.S. PATENT DOCUMENTS

D. 272,505	2/1984	Daenen	.....	D7/37
D. 283,481	4/1986	Schmidt	.....	D7/709
D. 302,923	8/1989	Schmidt et al.	.....	D7/502 X
D. 389,380	1/1998	Lieu et al.	.....	D7/643
1,679,004	7/1928	Pinkel et al.	.....	83/395
2,802,267	8/1957	Lackrie	.....	83/761 X

## OTHER PUBLICATIONS

Sell sheet, Bread tray, Target, a Dayton Hudson Corporation, 33 South Sixth Street, Minneapolis, Minnesota 55402. Published at least as early as Nov., 1997.

P. 30, Storage tray; Tupperware Home Parties, 2211 Sanders Road, Northbrook, Illinois 60062. Publication date Fall, 1993.

*Primary Examiner*—Terry A. Wallace  
*Attorney, Agent, or Firm*—Richard B. O’Planick

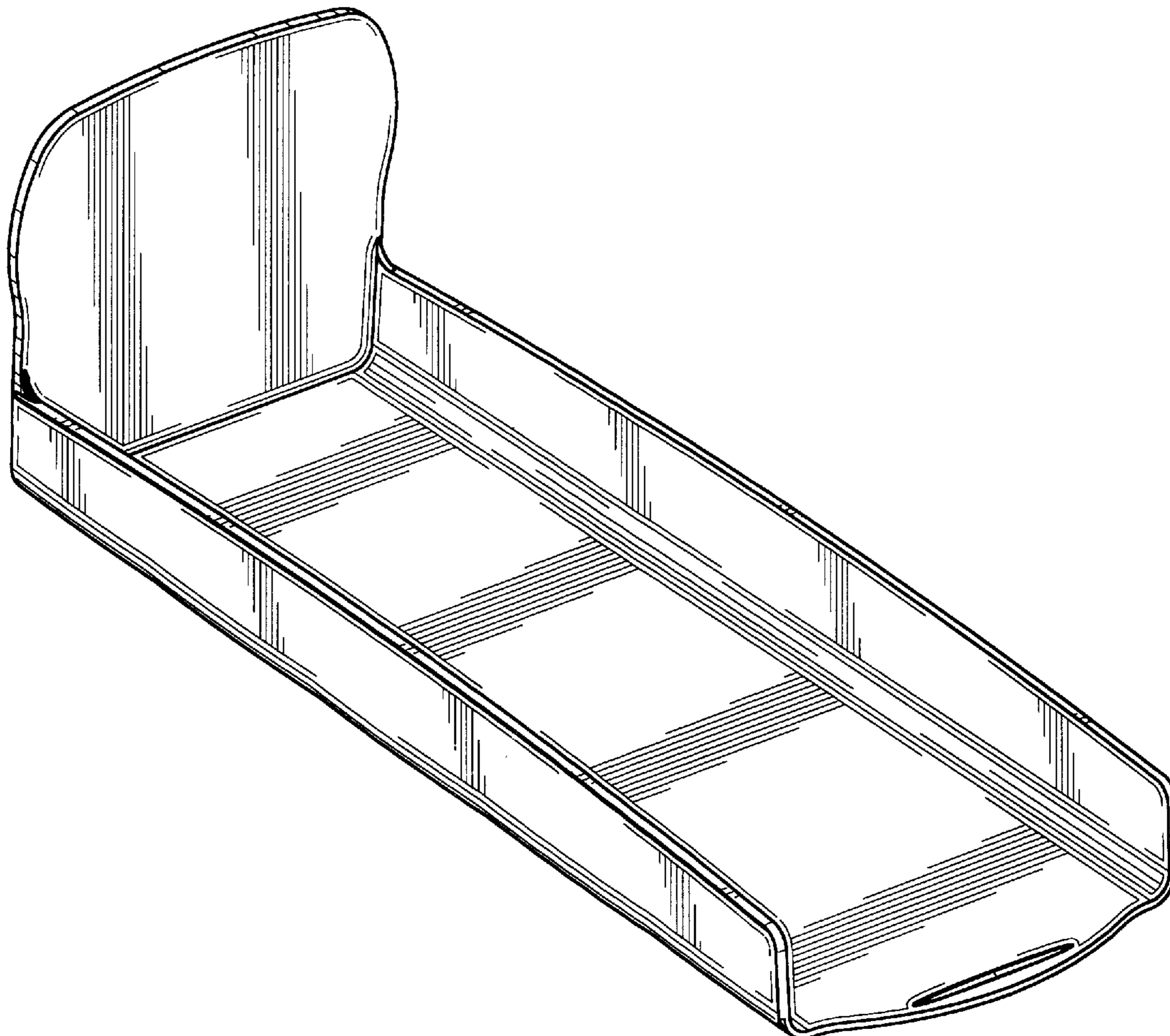
## [57] **CLAIM**

The ornamental design for a tray for bread storage container, as shown and described.

## **DESCRIPTION**

FIG. 1 is a top left front perspective view of a tray for bread storage container showing my new design; FIG. 2 is a right side elevational view thereof; the left side elevational view being a mirror image; FIG. 3 is a top plan view thereof; FIG. 4 is a bottom plan view thereof; FIG. 5 is a front elevational view thereof; and, FIG. 6 is a rear elevational view thereof.

**1 Claim, 5 Drawing Sheets**



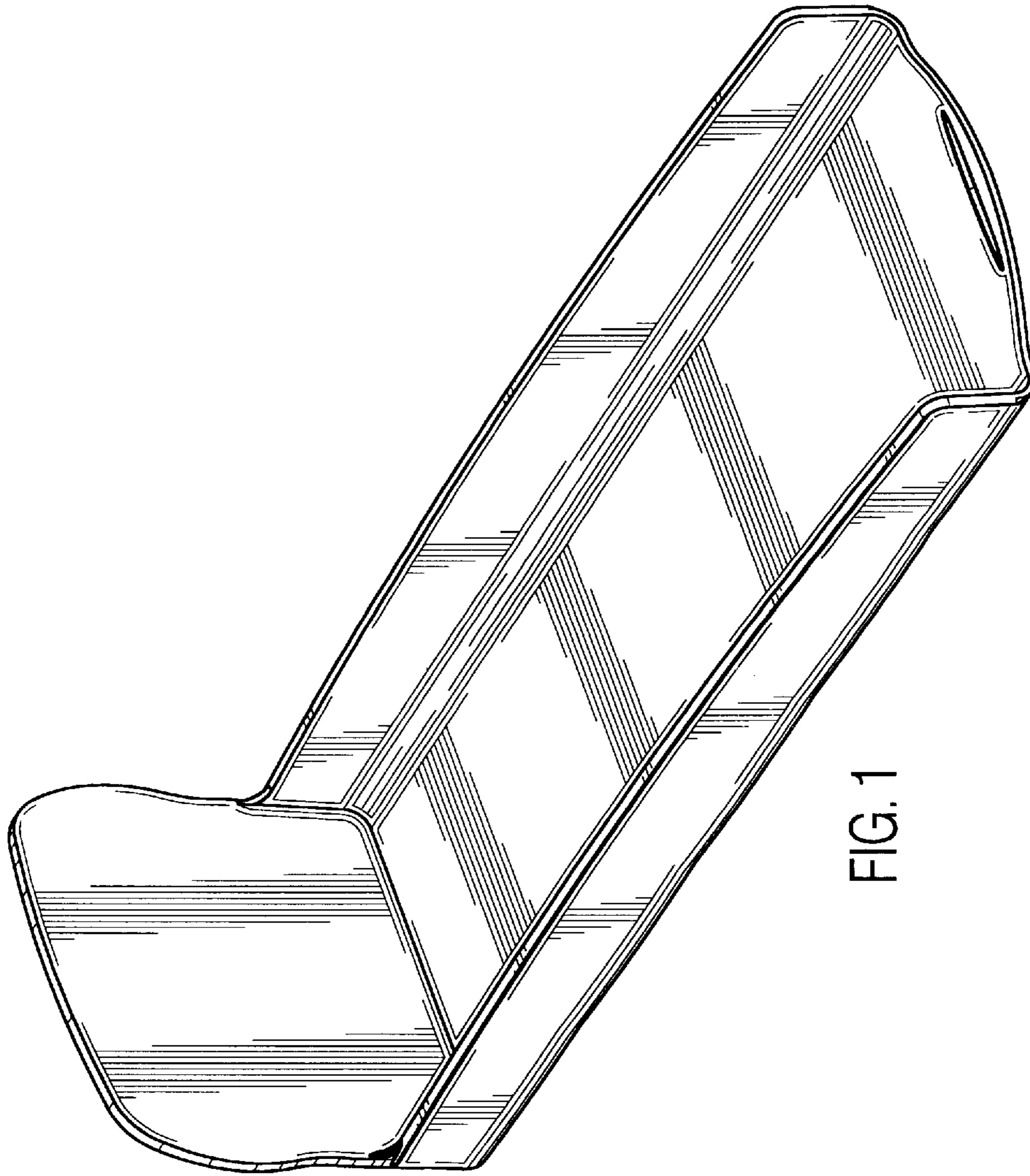


FIG. 1

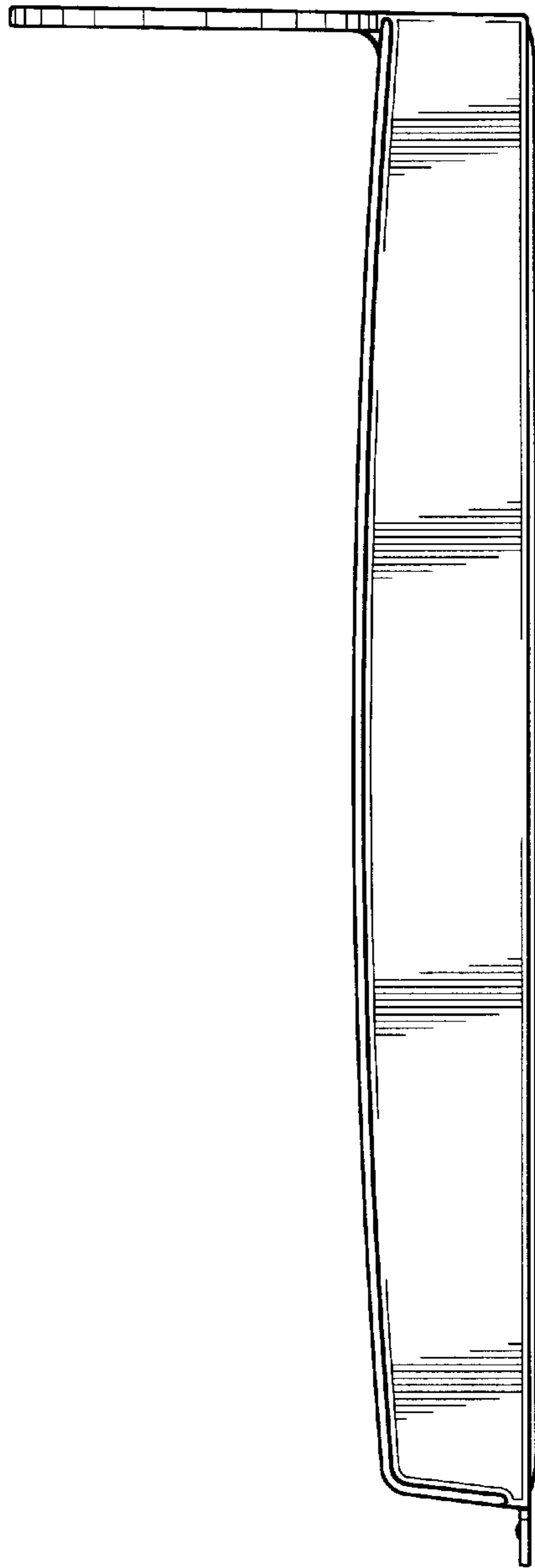


FIG. 2

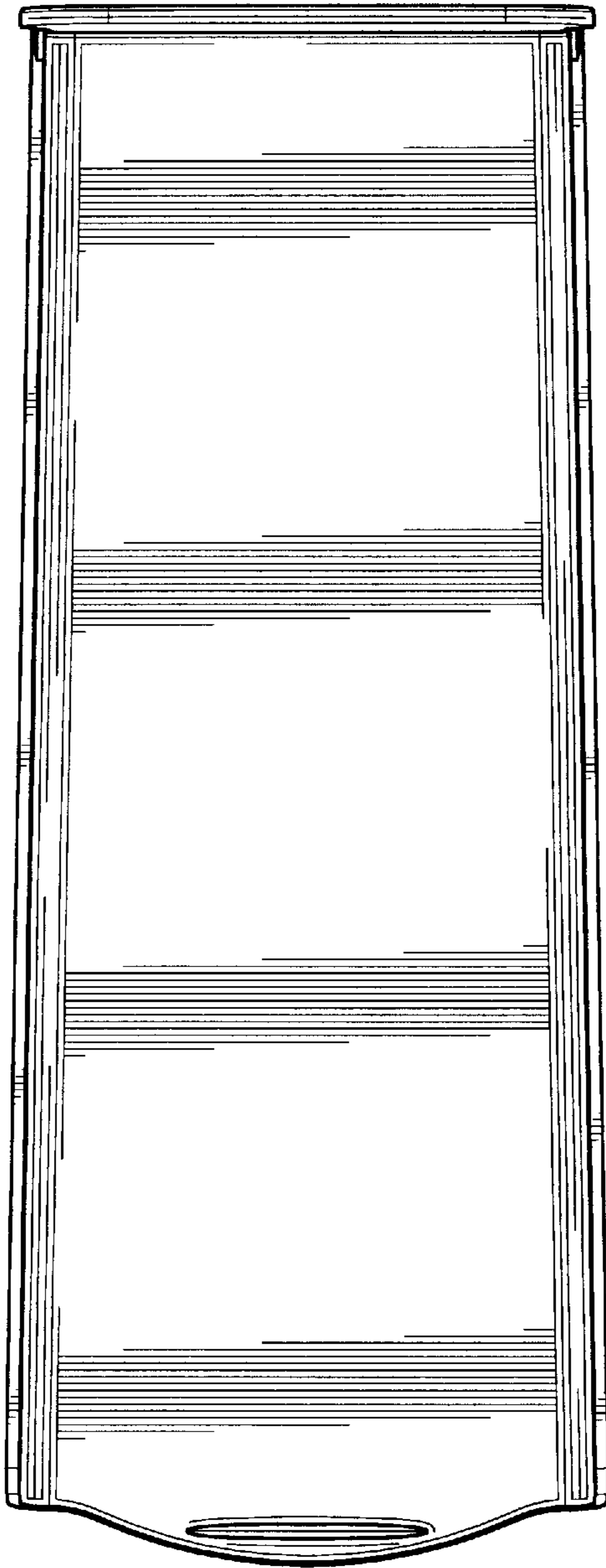


FIG. 3

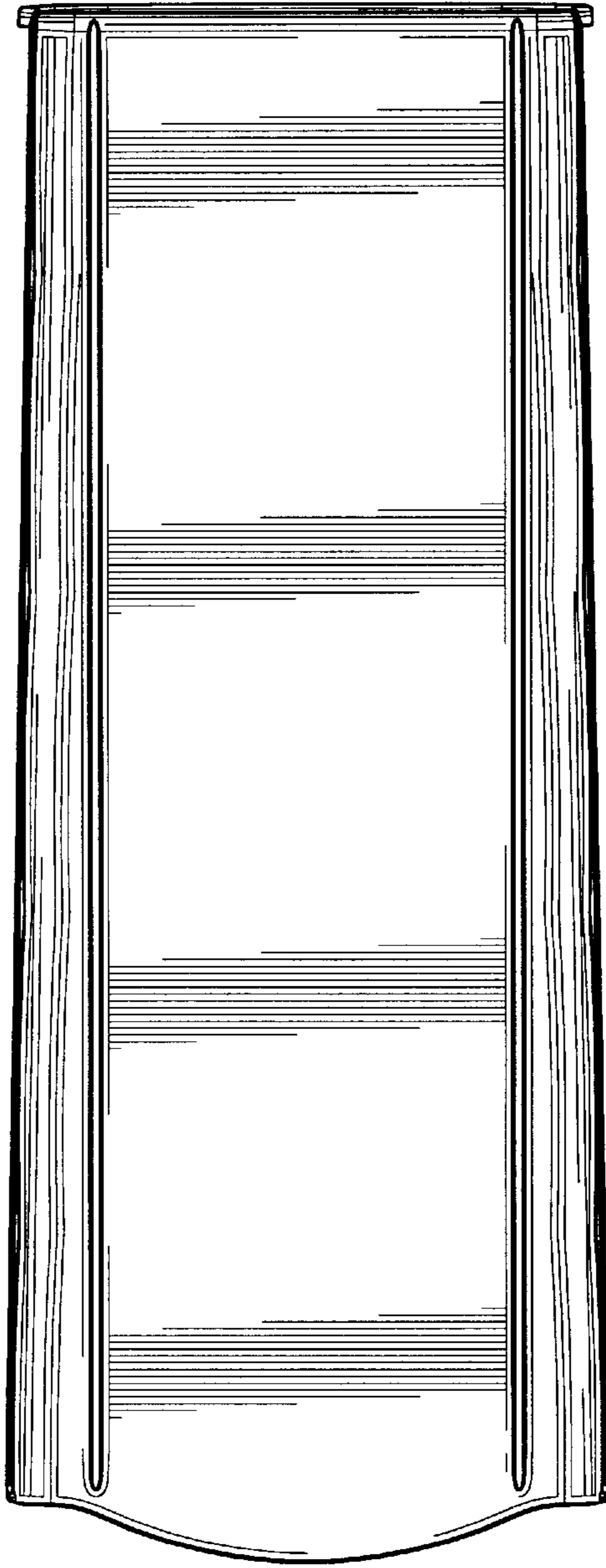


FIG. 4

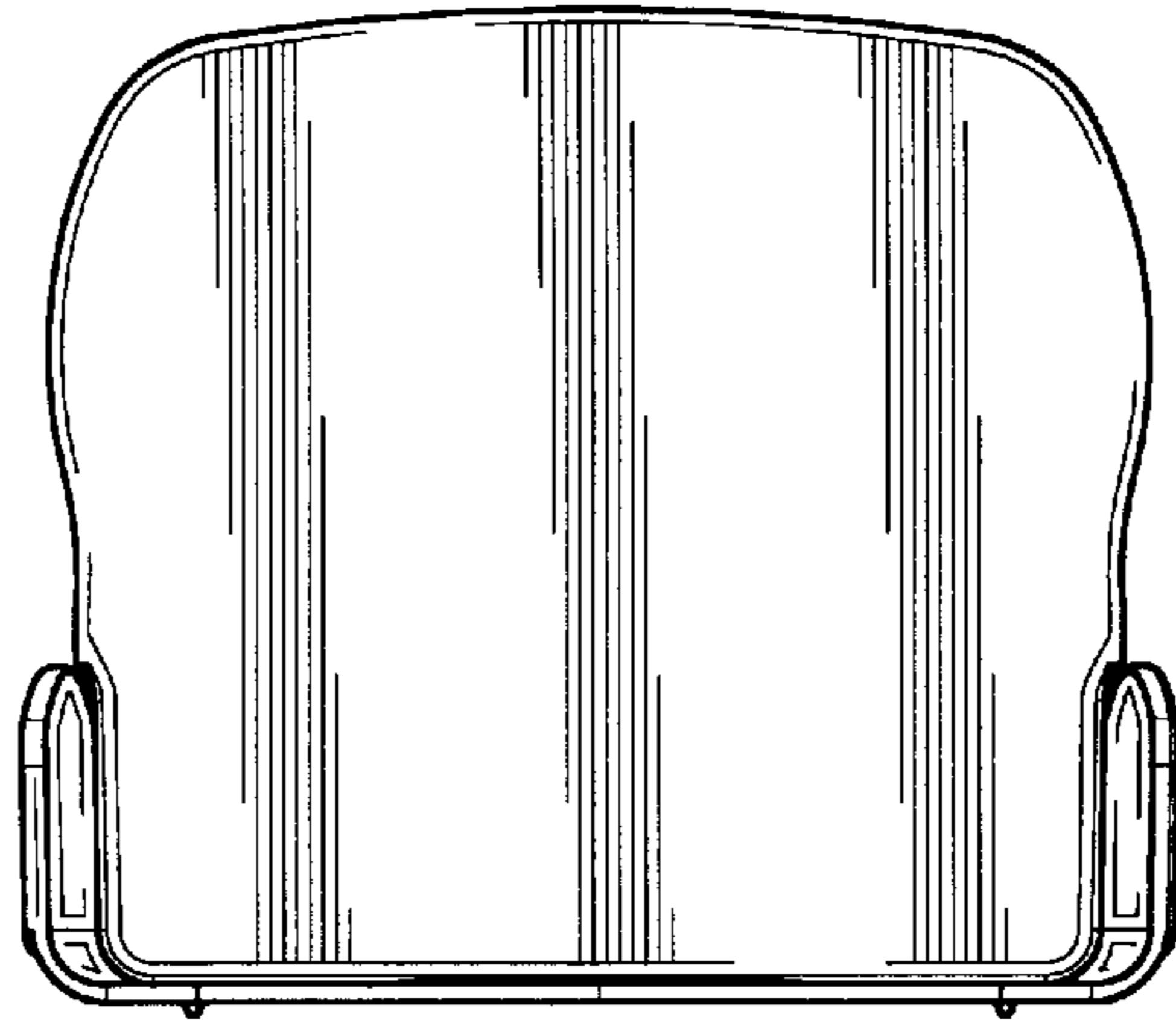


FIG. 5

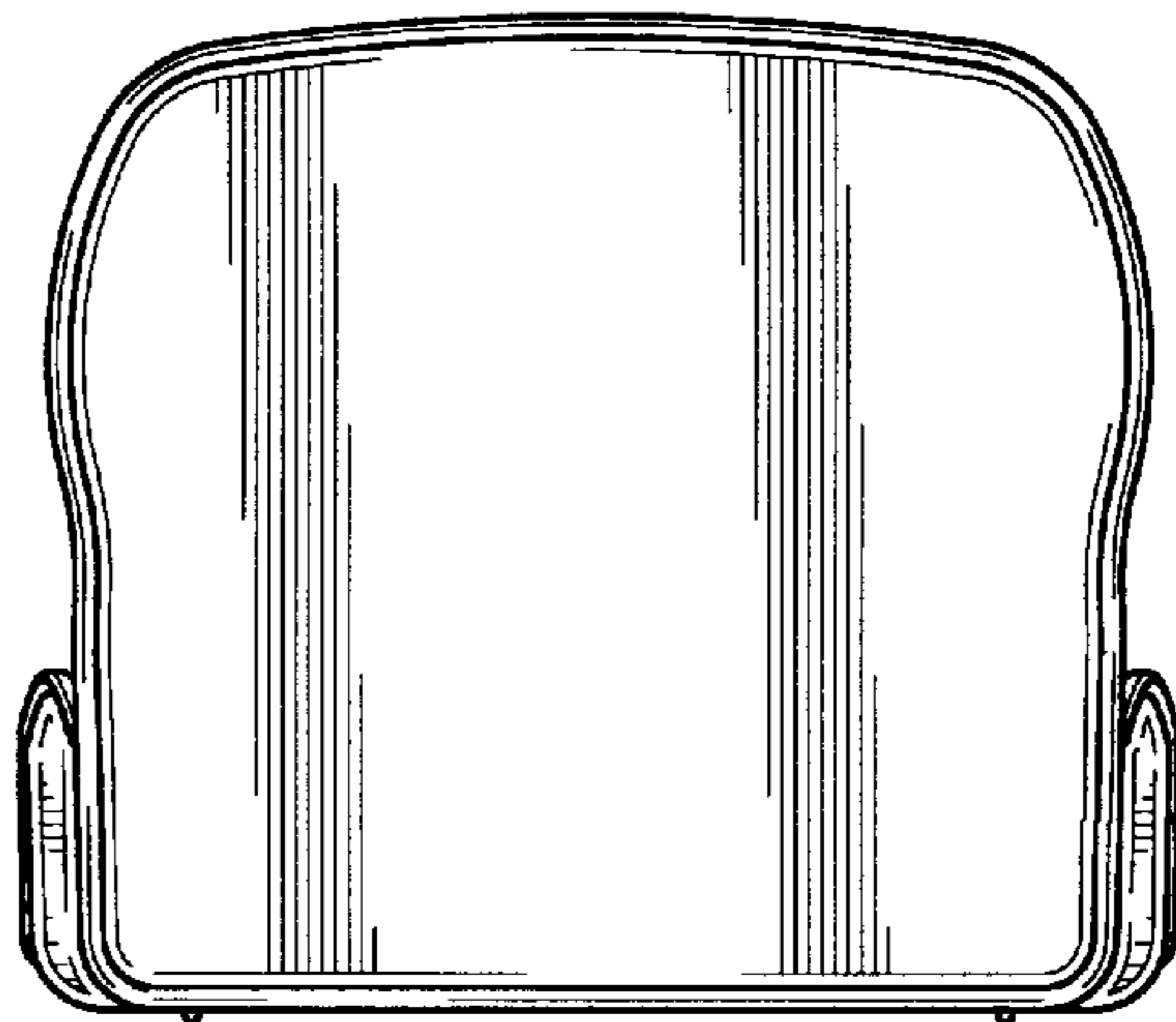


FIG. 6