



US00D401118S

United States Patent [19]
DeMore

[11] **Patent Number: Des. 401,118**

[45] **Date of Patent: **Nov. 17, 1998**

[54] **BREAD STORAGE TRAY**

[75] Inventor: **Anthony DeMore**, Copley, Ohio

[73] Assignee: **Rubbermaid Incorporated**, Wooster, Ohio

[**] Term: **14 Years**

[21] Appl. No.: **81,840**

[22] Filed: **Dec. 15, 1997**

[51] **LOC (6) Cl.** **07-07**

[52] **U.S. Cl.** **D7/609; D7/673**

[58] **Field of Search** D7/602, 609, 629,
D7/673, 612-615; 83/761-765; 269/87.2,
289 R, 291, 292, 295

[56] **References Cited**

U.S. PATENT DOCUMENTS

D. 272,505	2/1984	Daenen .	
D. 378,978	4/1997	Frye, Jr. et al.	D7/673
D. 389,380	1/1998	Liu et al.	D7/643
5,697,276	12/1997	Nassau	83/672

OTHER PUBLICATIONS

Sell sheet, Bread tray, Target, a Dayton Hudson Corporation, 33 South Sixth Street, Minneapolis, Minnesota 55402. Published at least as early as Nov., 1997.

Page 30, Storage tray; Tupperware Home Parties, 2211 Sanders Road, Northbrook, Illinois 60062. Publication date Fall, 1993.

Primary Examiner—Terry A. Wallace

Attorney, Agent, or Firm—Richard B. O’Planick

[57] **CLAIM**

The ornamental design for a bread storage tray, as shown and described.

DESCRIPTION

FIG. 1 is a top left perspective view of a bread storage tray showing my new design;

FIG. 2 is a left side elevational view thereof; the right side elevational view being a mirror image;

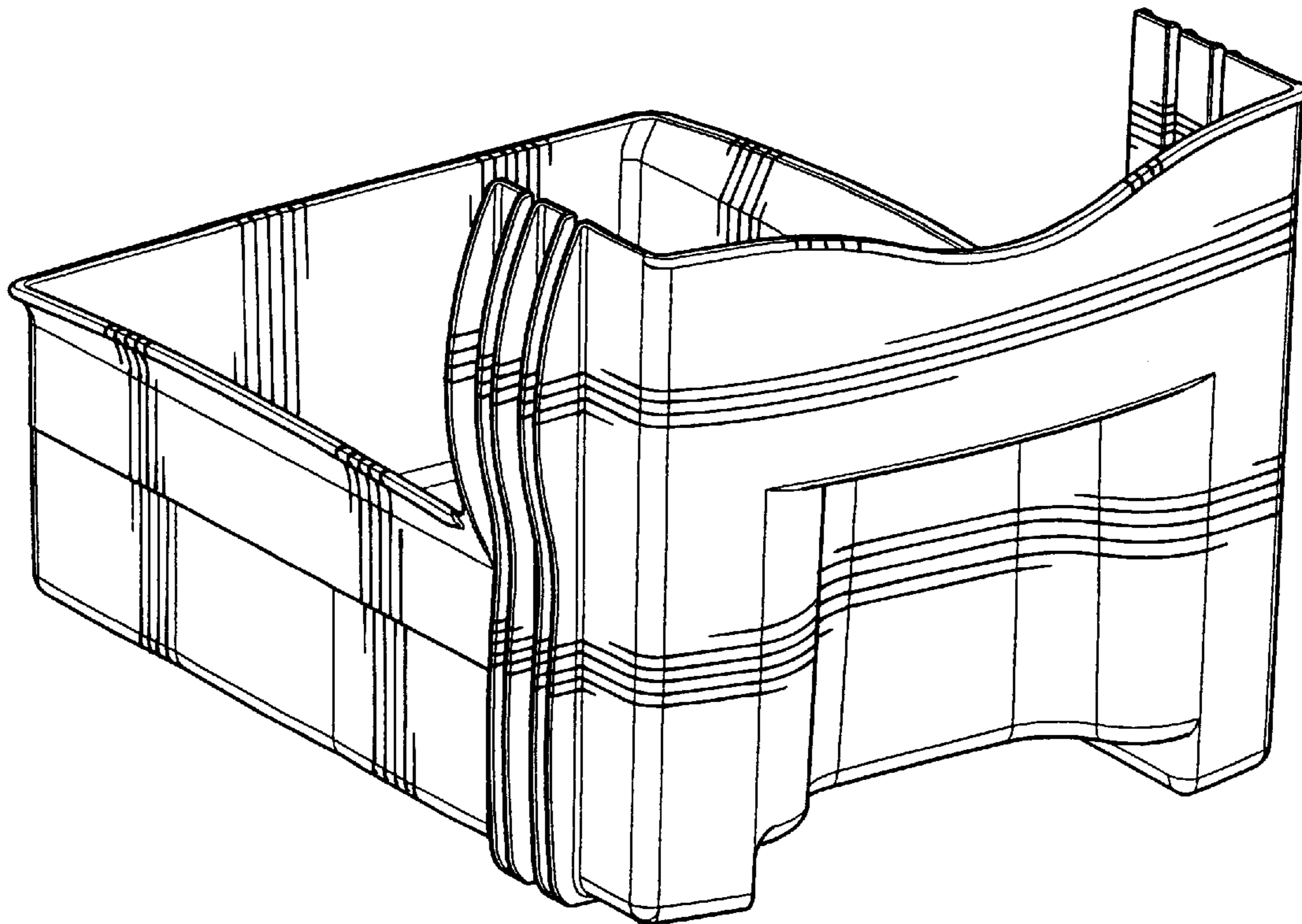
FIG. 3 is a top plan view thereof;

FIG. 4 is a rear elevational view thereof;

FIG. 5 is a front elevational view thereof; and,

FIG. 6 is a bottom plan view thereof.

1 Claim, 3 Drawing Sheets



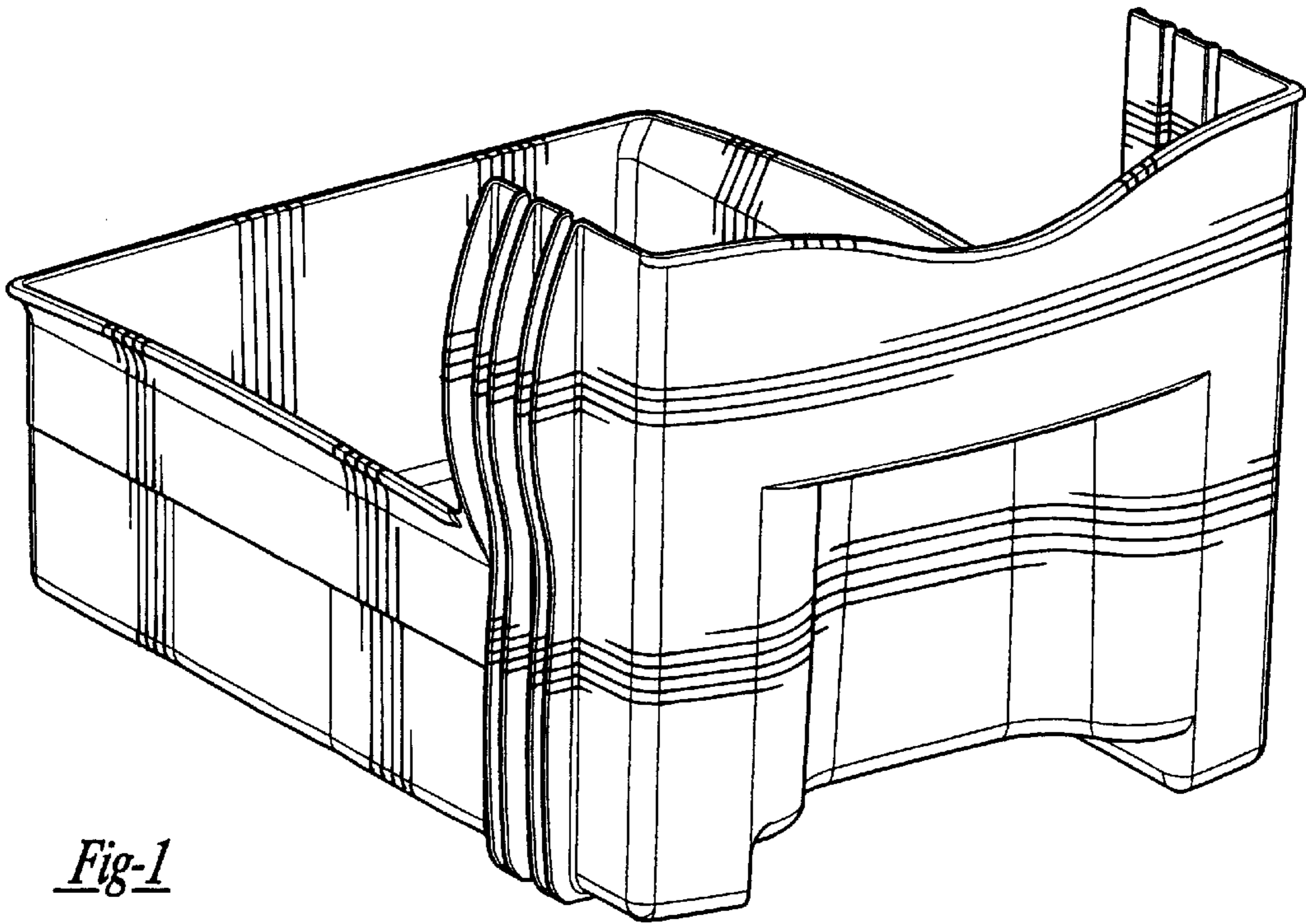


Fig-1

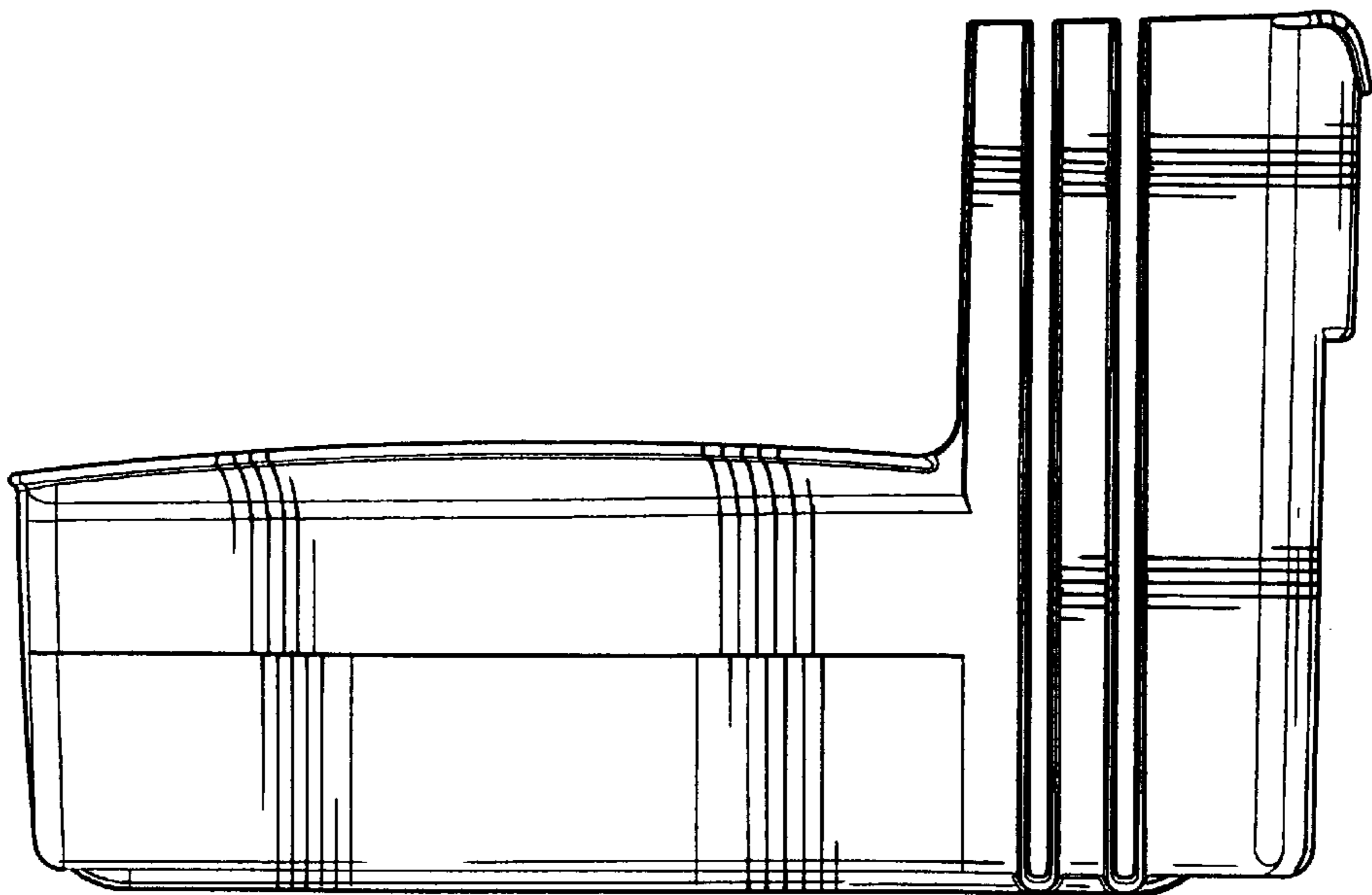


Fig-2

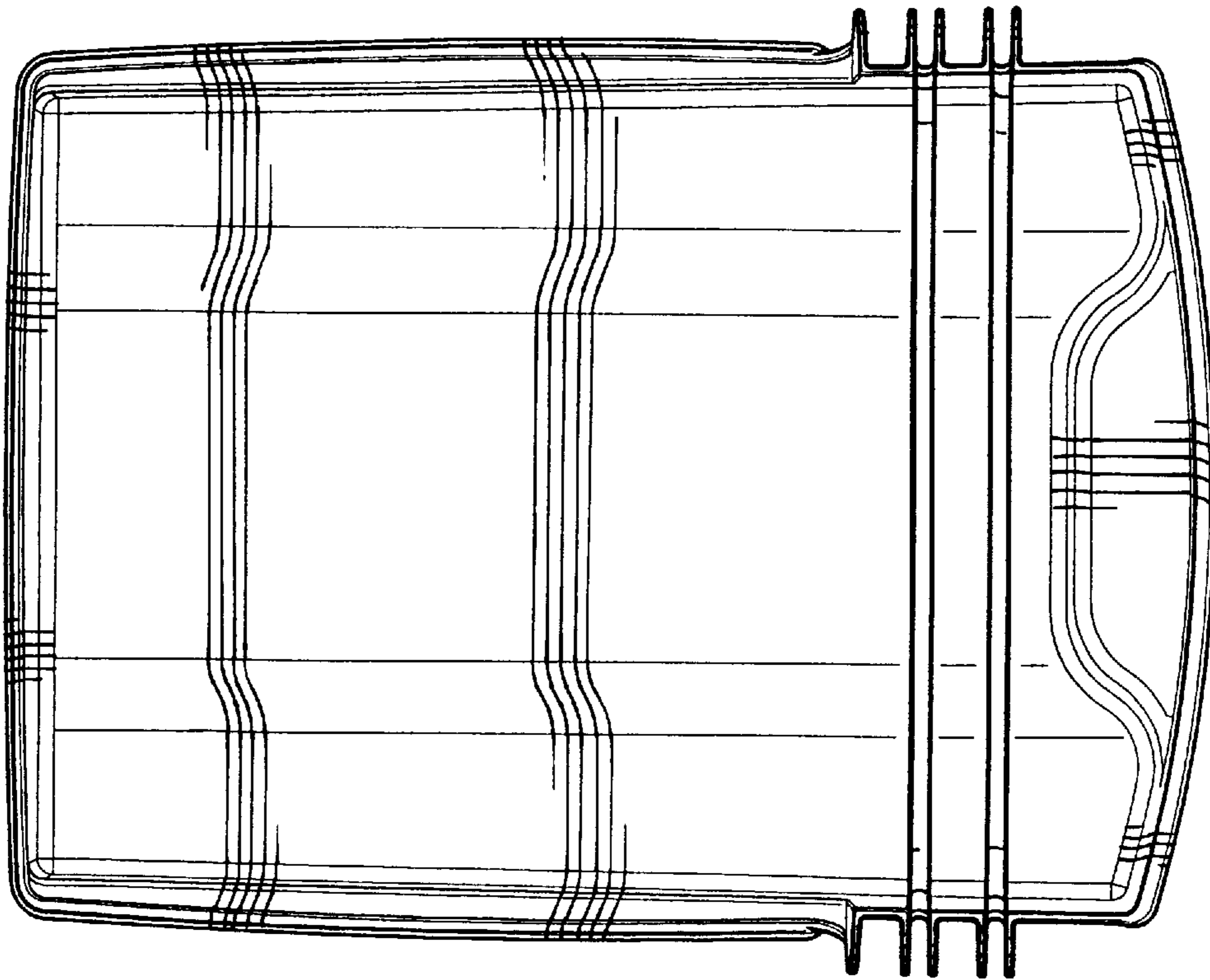


Fig-3

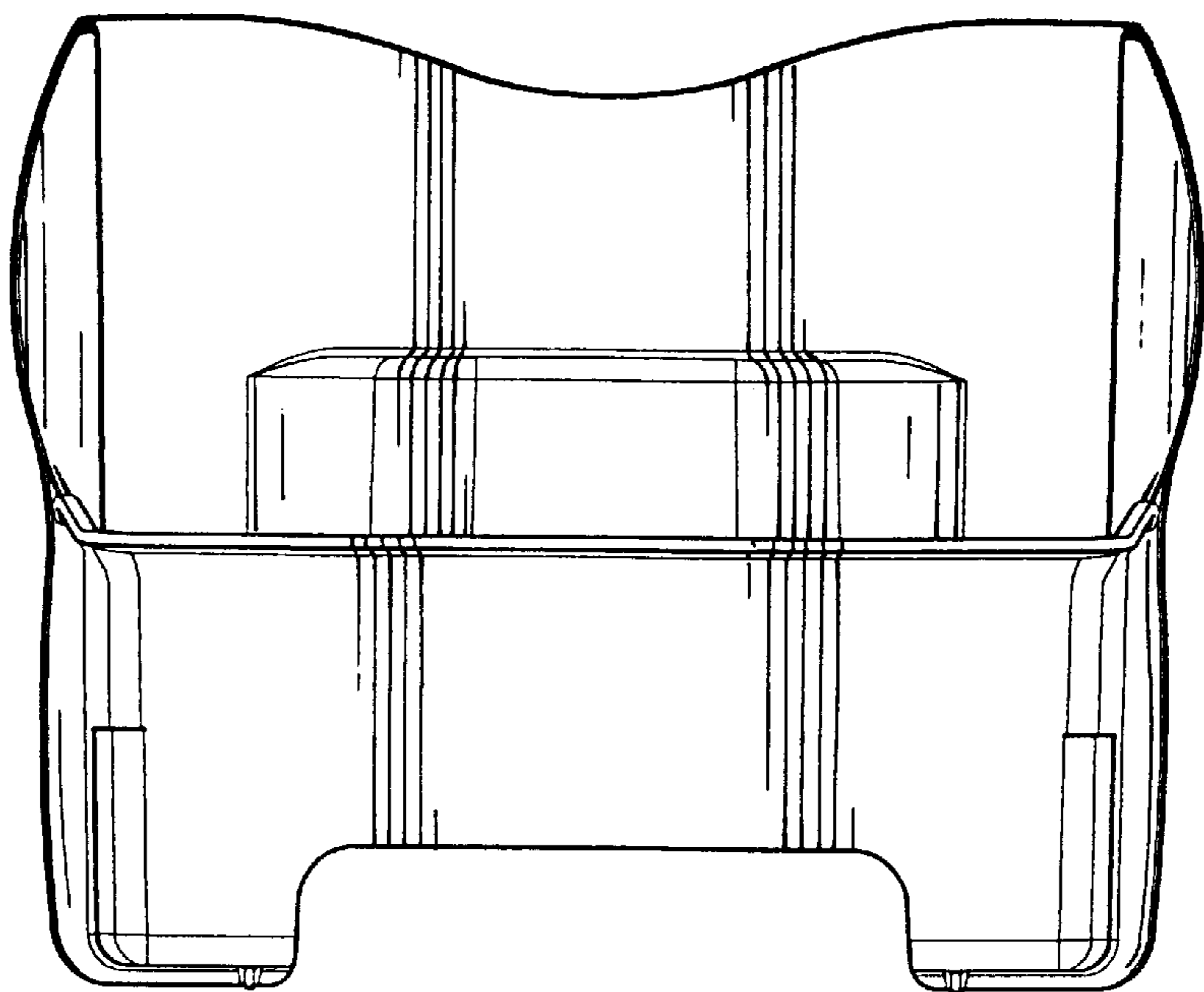


Fig-4

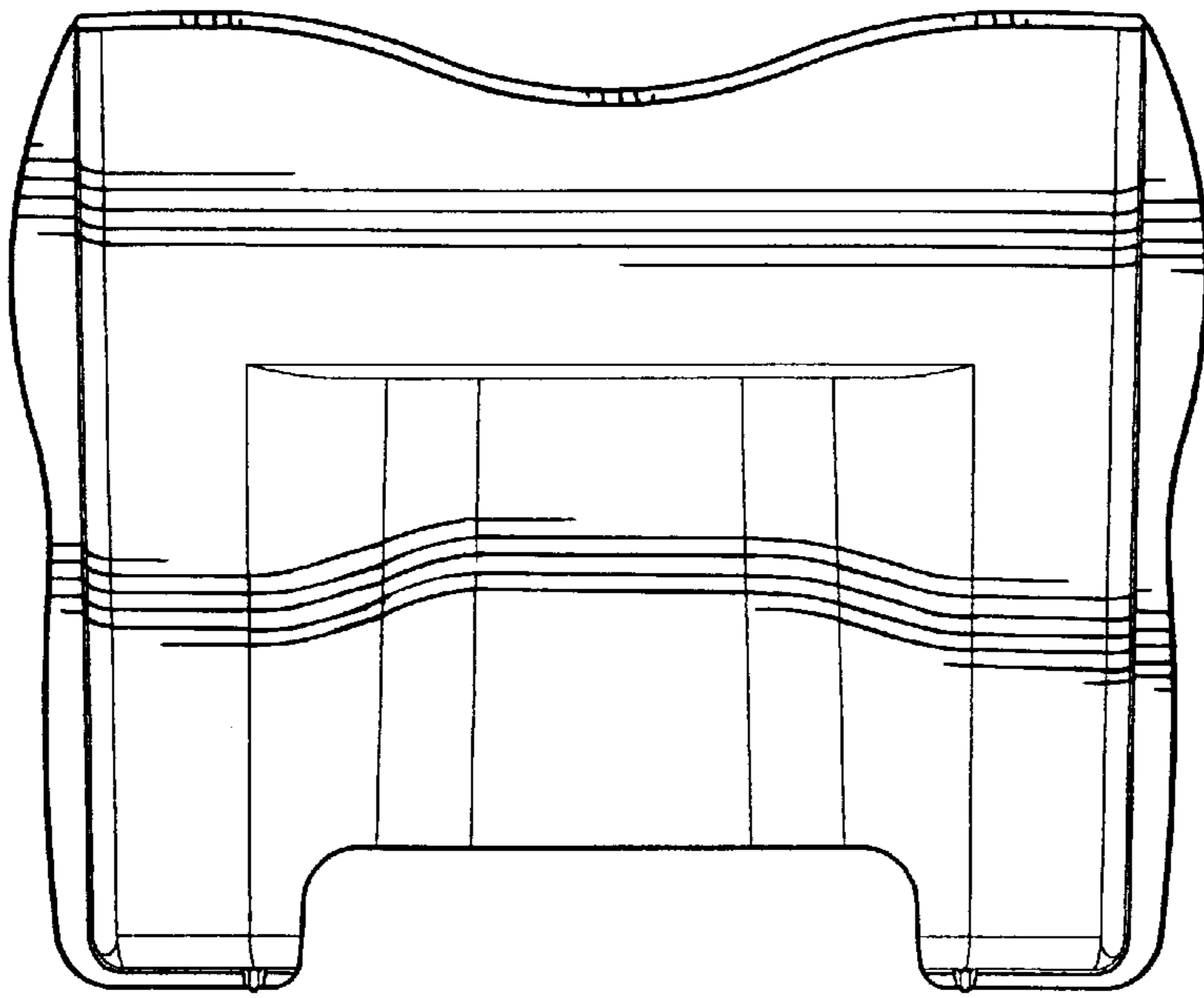


Fig-5

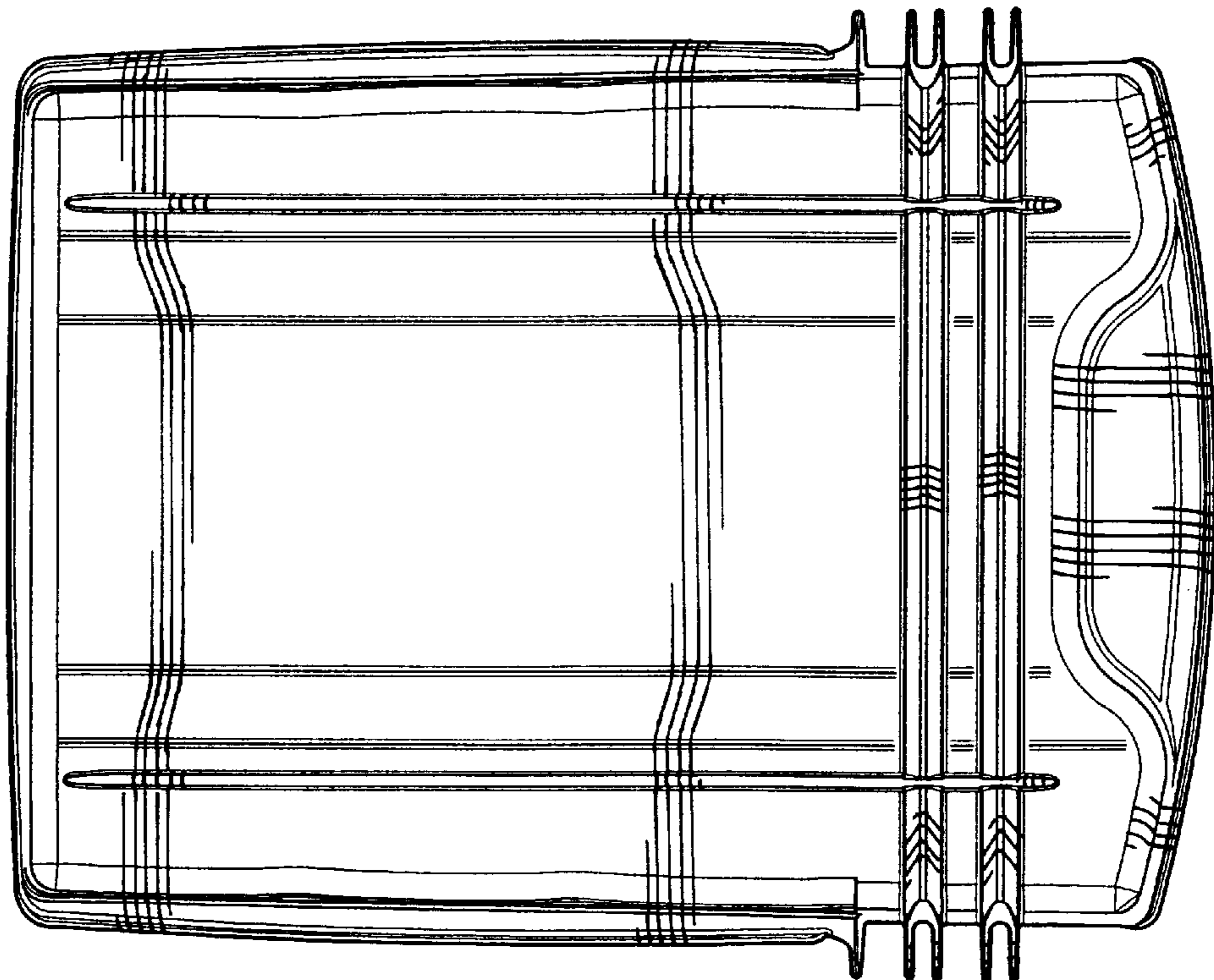


Fig-6