



US00D401117S

# United States Patent [19]

Anderson et al.

[11] Patent Number: **Des. 401,117**

[45] Date of Patent: **\*\*Nov. 17, 1998**

[54] **COOLER**

[76] Inventors: **Christine C. Anderson; Terence J. Anderson**, both of 41 Fernstead La., Berlin, Conn. 06037; **Brian Fox**, 200 Ox Yoke Dr., Wethersfield, Conn. 06109; **Mark Hoben**, 42 Park Dr., Waterford, Conn. 06385

[\*\*] Term: **14 Years**

[21] Appl. No.: **73,665**

[22] Filed: **Jul. 22, 1997**

[51] **LOC (6) Cl.** ..... **07-06**

[52] **U.S. Cl.** ..... **D7/606**

[58] **Field of Search** ..... D7/603, 604, 605, D7/606; D9/307; 62/457.1, 457.7, 370; 206/457; 220/412; 280/641, 645

### [56] **References Cited**

#### U.S. PATENT DOCUMENTS

D. 322,915 1/1992 Franklin ..... D7/606

D. 349,009 7/1994 Minor ..... D7/606  
D. 351,971 11/1994 Cappola ..... D7/606 X  
4,164,284 8/1979 Witt et al. .... D7/606 X  
4,339,062 7/1982 Witt, Jr. .... D7/619 X

*Primary Examiner*—Terry A. Wallace  
*Attorney, Agent, or Firm*—Fishman, Dionne Cantor & Colburn

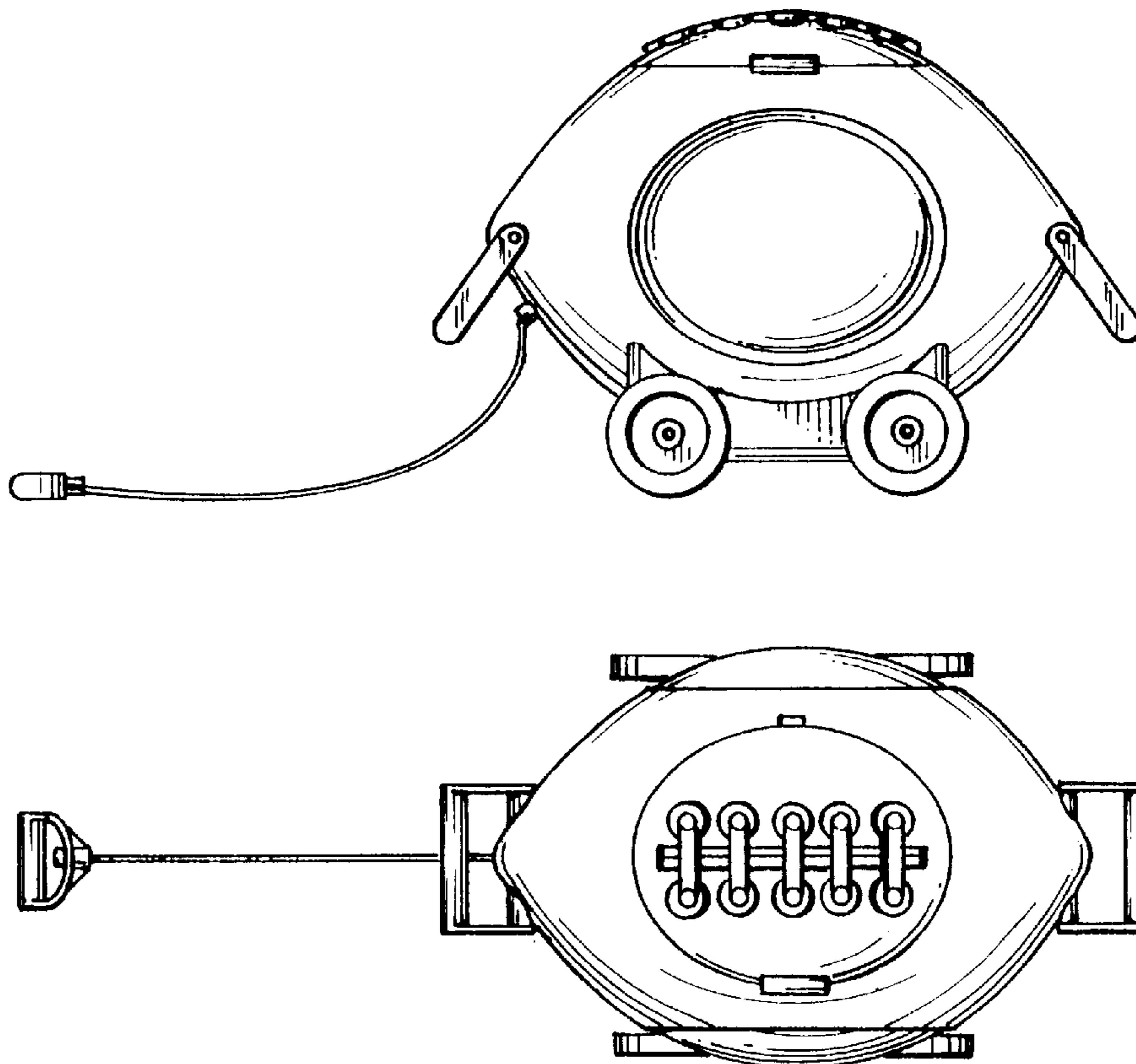
### [57] **CLAIM**

The ornamental design for a cooler, as shown and described.

### **DESCRIPTION**

FIG. 1 is a front elevation view of a cooler showing our new design;  
FIG. 2 is a top plan view thereof;  
FIG. 3 is a bottom plan view thereof;  
FIG. 4 is a rear elevation view thereof;  
FIG. 5 is a left side elevation view thereof; and,  
FIG. 6 is a right side elevation view thereof.

**1 Claim, 2 Drawing Sheets**



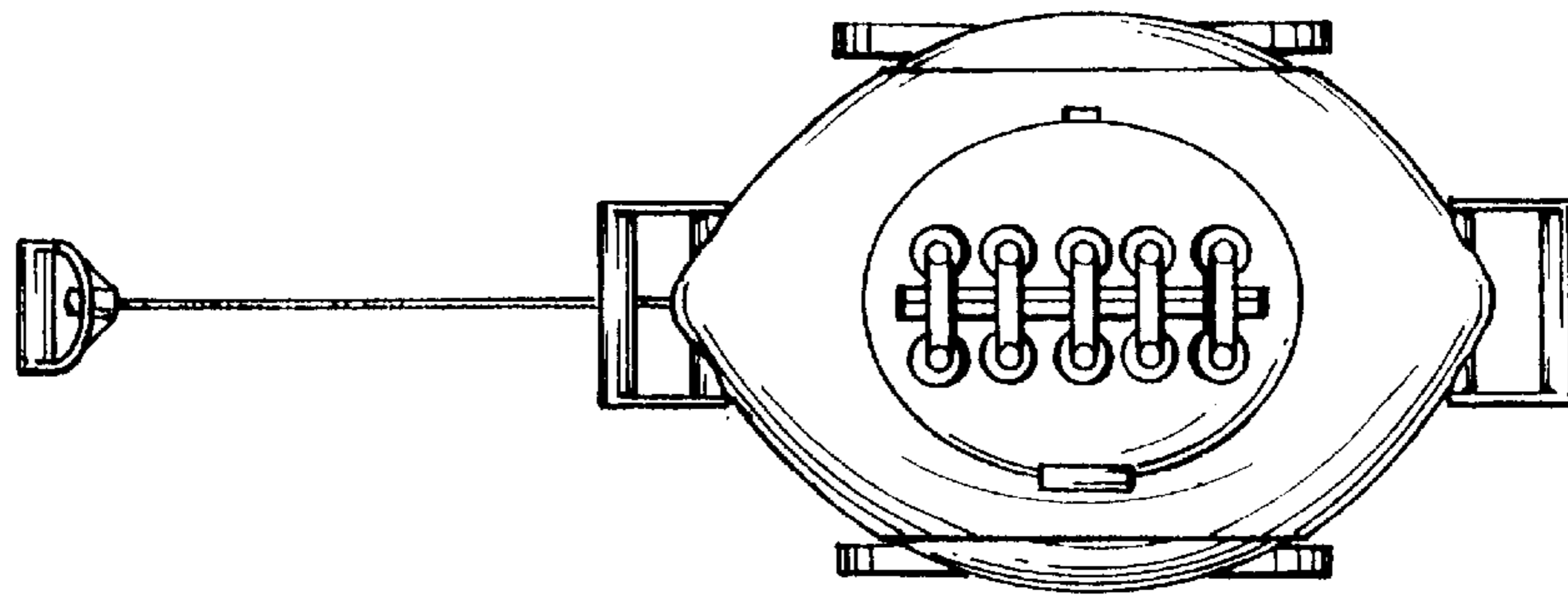


FIG. 2

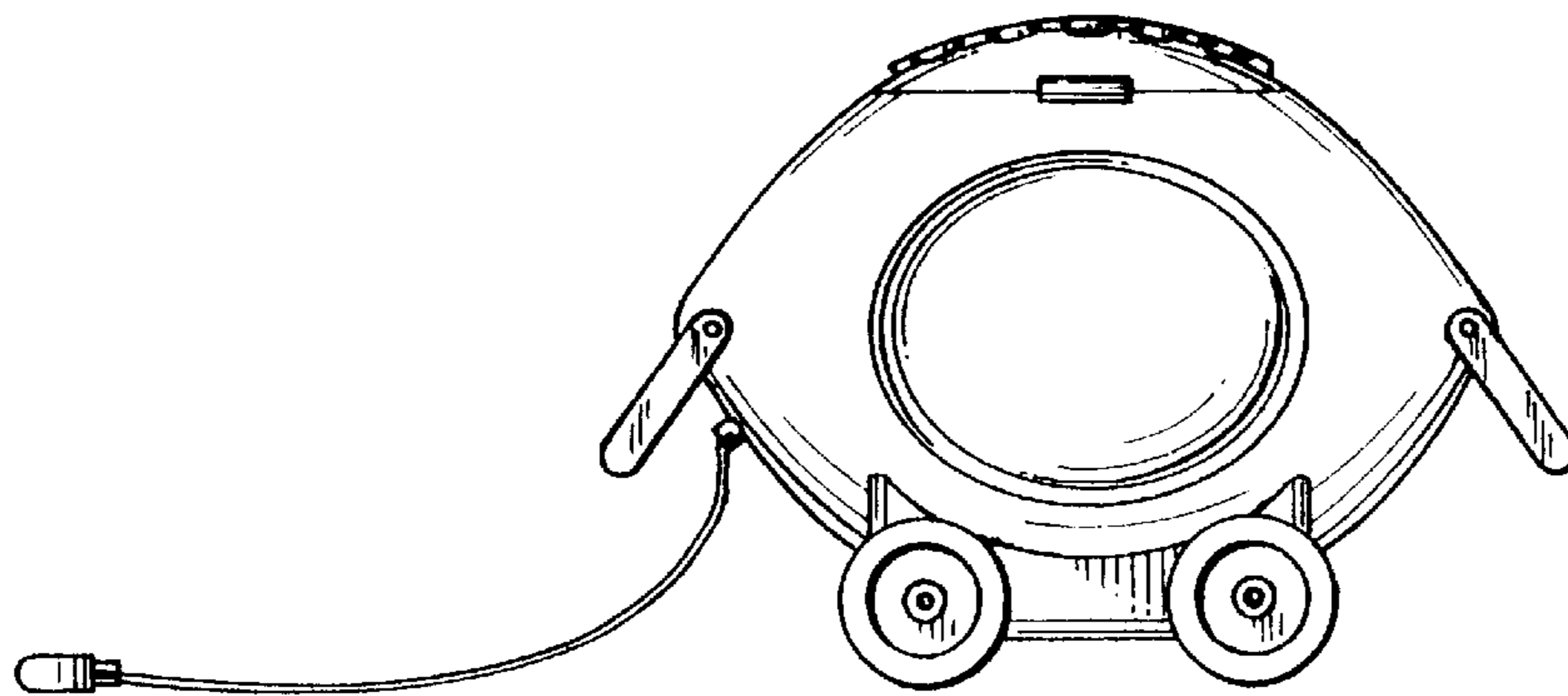


FIG. 1

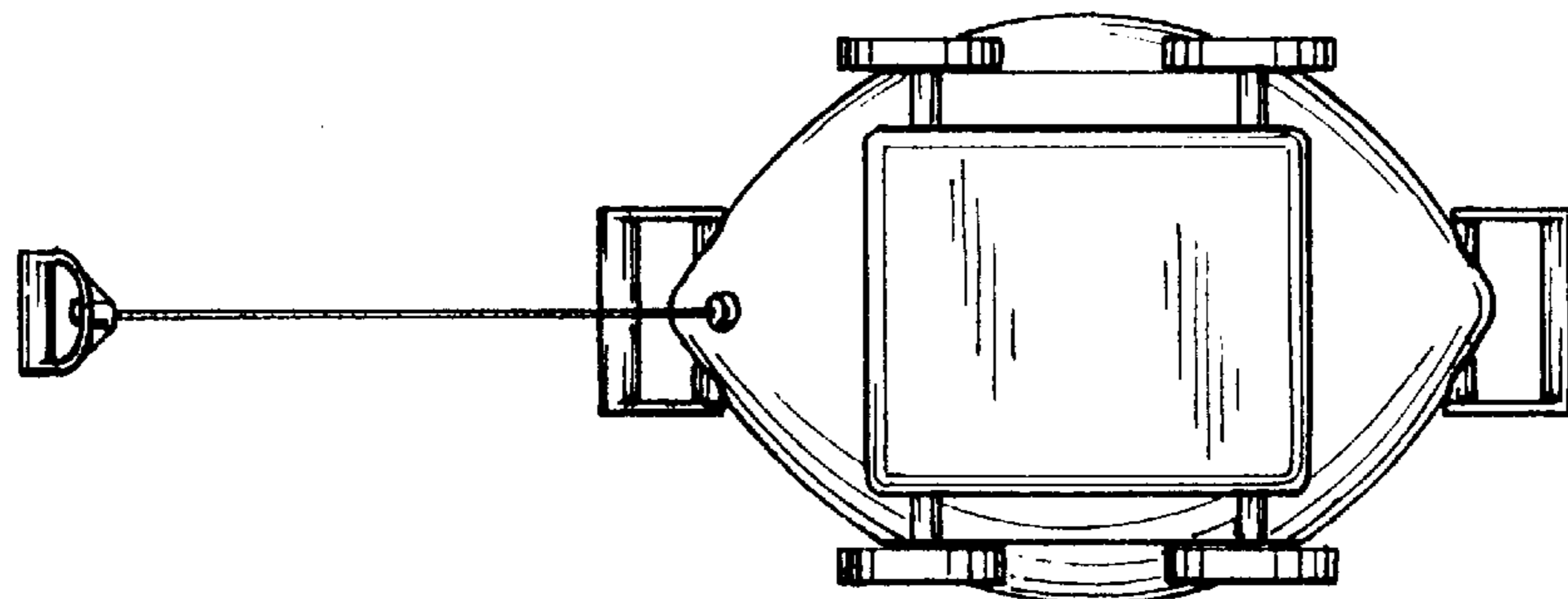


FIG. 3

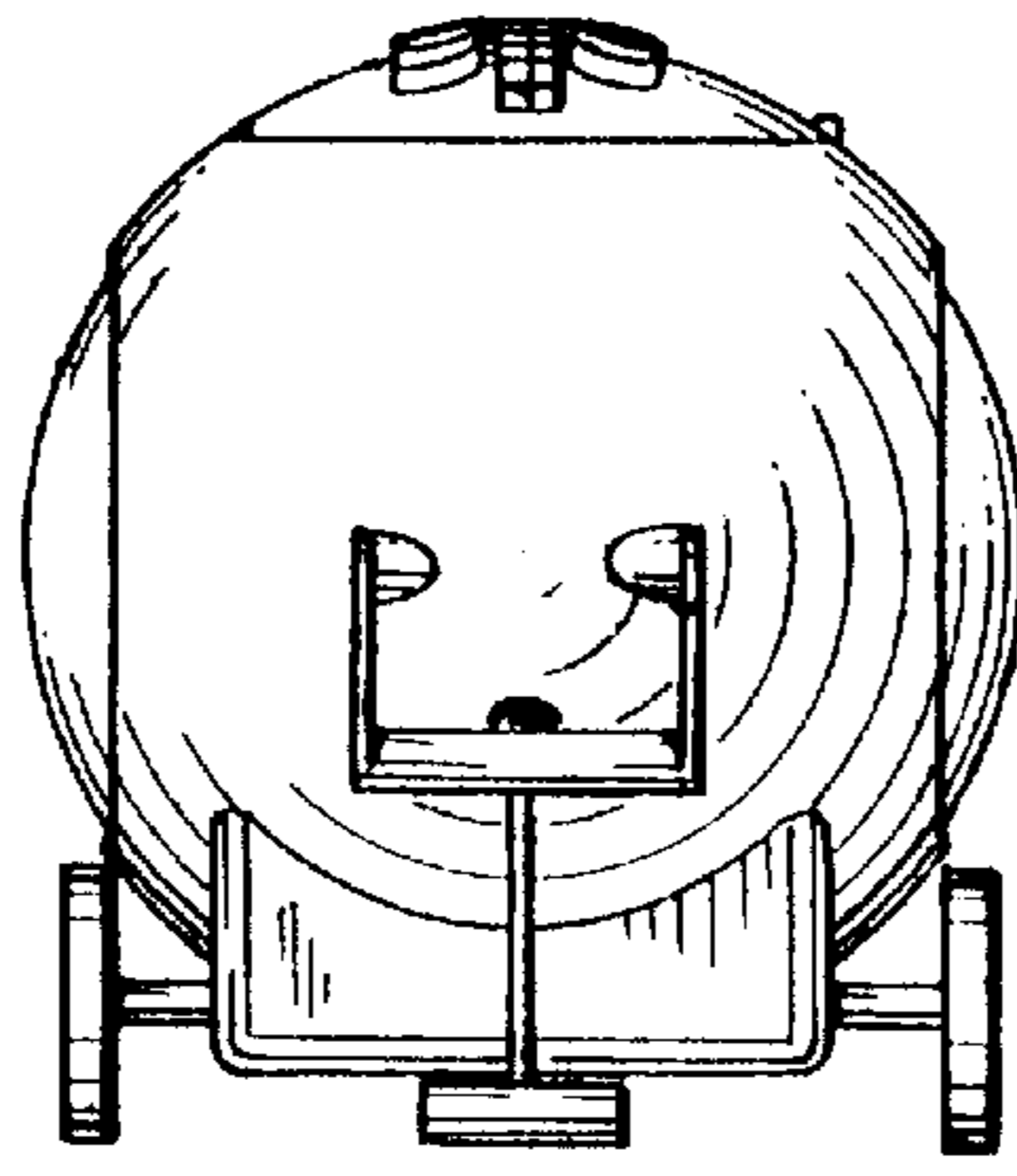


FIG. 5

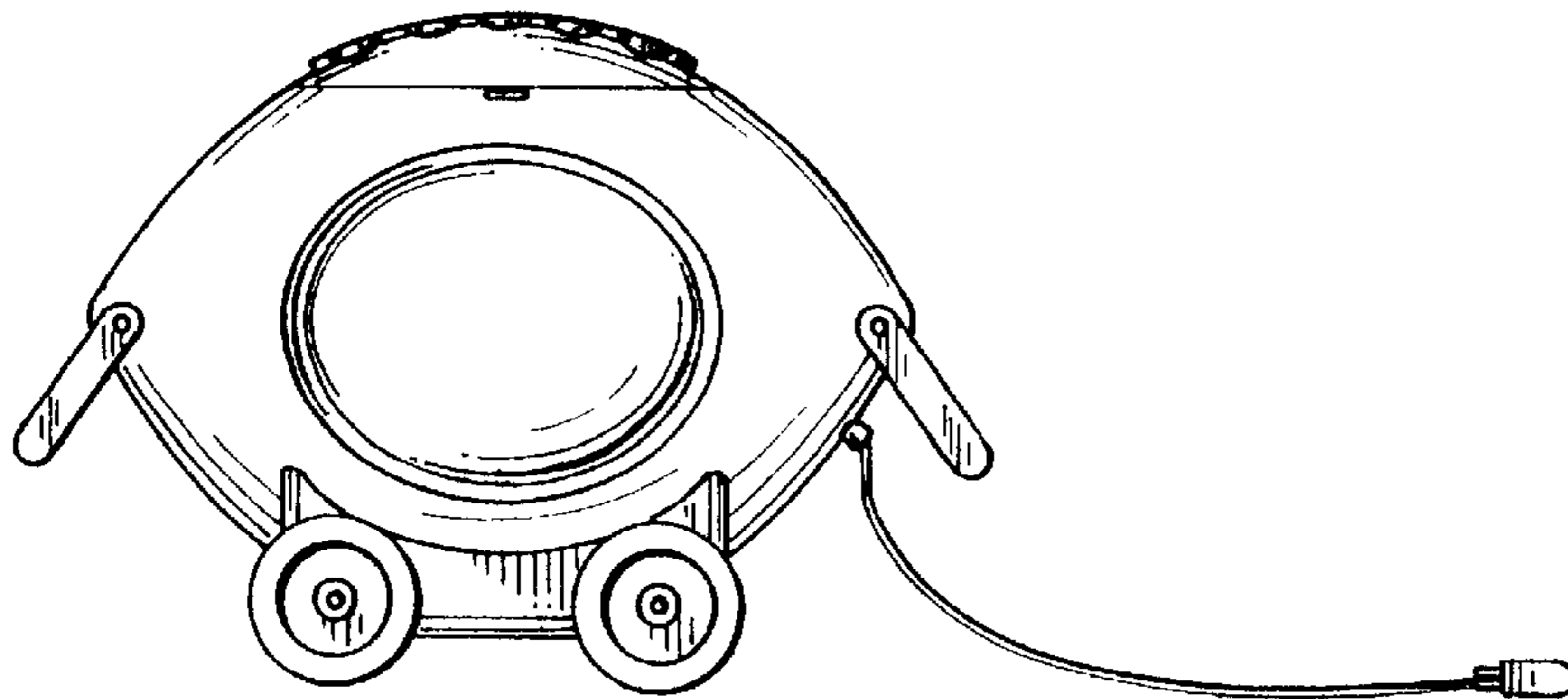


FIG. 4

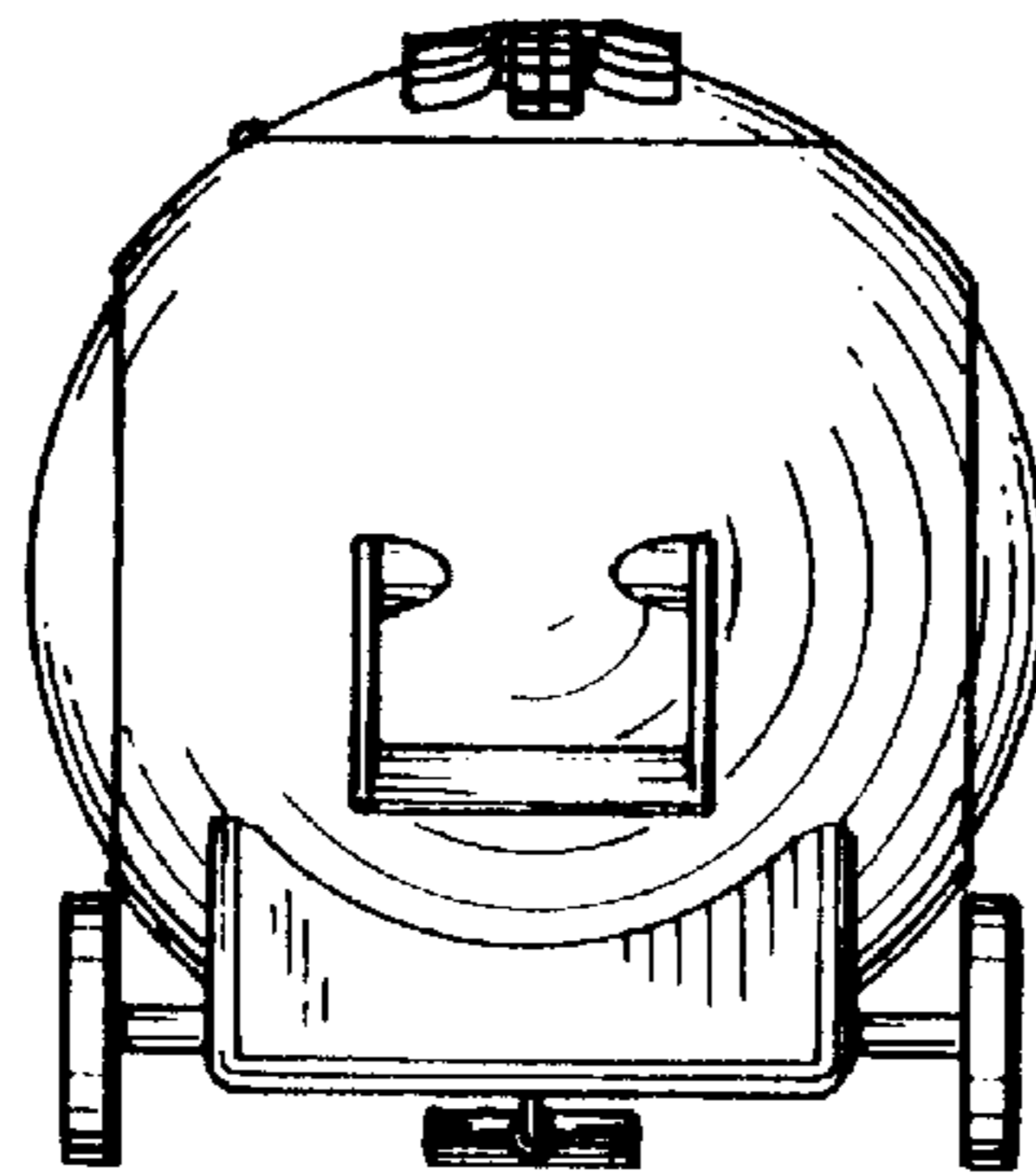


FIG. 6