



US00D401116S

United States Patent [19] Demore

[11] Patent Number: **Des. 401,116**

[45] Date of Patent: ****Nov. 17, 1998**

[54] **BAGEL STORAGE CONTAINER**

3,424,342 1/1969 Scopp et al. 220/60

[75] Inventor: **Anthony Demore**, Copley, Ohio

OTHER PUBLICATIONS

[73] Assignee: **Rubbermaid Incorporated**, Wooster, Ohio

Pages 30 and 32, Food containers; Tupperware Home Parties, 2211 Sanders Road, Northbrook, Illinois 60062. Publication date Fall, 1993.

[**] Term: **14 Years**

Catalog page, Breadsaver; Eagle Affiliates Inc., 101-01 Avenue D, Brooklyn, New York 11236. Publication date 1992.

[21] Appl. No.: **81,839**

Page 12, Food containers; Copco, A Wilton Industries Company, 2240 West 75th Street, Woodridge, Illinois 60157. Published at least as early as Aug., 1995.

[22] Filed: **Dec. 15, 1997**

[51] **LOC (6) Cl.** **07-06**

[52] **U.S. Cl.** **D7/602; D7/612**

[58] **Field of Search** D7/612-615, 602, D7/629; D9/424, 428, 430; 220/780, 796, 376, 600, 643, 645, 669, 675

Page 20, Food containers; Dupol-Rubbermaid, GmbH, An der Trift 63, D06072 Drieieich, West Germany. Publication date 1989.

Page 12, Food storage containers; Rubbermaid Incorporated, 1147 Akron Road, Wooster, Ohio 44691. Publication date 1986.

[56] **References Cited**

U.S. PATENT DOCUMENTS

D. 238,148	12/1975	Dilot .	
D. 249,952	10/1978	Daenen .	
D. 264,913	6/1982	Pomroy .	
D. 267,395	12/1982	Groenewold et al.	D9/425
D. 279,253	6/1985	Daenen .	
D. 281,048	10/1985	Wolff .	
D. 282,809	3/1986	Daenen .	
D. 284,728	7/1986	Trivison .	
D. 287,559	1/1987	Daenen .	
D. 288,063	2/1987	Tyler	D9/425
D. 336,017	6/1993	Smith et al.	D7/269
D. 346,720	5/1994	Onneweer	D7/269
D. 351,090	10/1994	Narsutis	D7/269
D. 352,425	11/1994	Daenen	D7/602
D. 367,996	3/1996	Rausch	D7/602
D. 371,053	6/1996	Lillelund	D7/612
D. 374,155	10/1996	Feer et al.	D7/602
D. 375,873	11/1996	Aher, Jr. et al.	D7/602
D. 376,512	12/1996	Klemme	D7/538
D. 377,739	2/1997	Carlson	D7/602
D. 378,563	3/1997	Ferris	D7/629
D. 379,138	5/1997	Carlson	D7/269
D. 380,349	7/1997	Indekeu	D7/543
D. 381,560	7/1997	Indekeu	D7/538
D. 382,177	8/1997	Ahern, Jr.	D7/615

Catalog page, Food storage containers; Rubbermaid Incorporated, 1147 Akron Road, Wooster, Ohio 44691. Publication date 1991.

Photograph, Bread storage container; Buddeez™, P.O. Box 4178, Hazelwood, Missouri 63042. Published at least as early as Aug., 1997.

Primary Examiner—Terry A. Wallace
Attorney, Agent, or Firm—Richard B. O'Planick

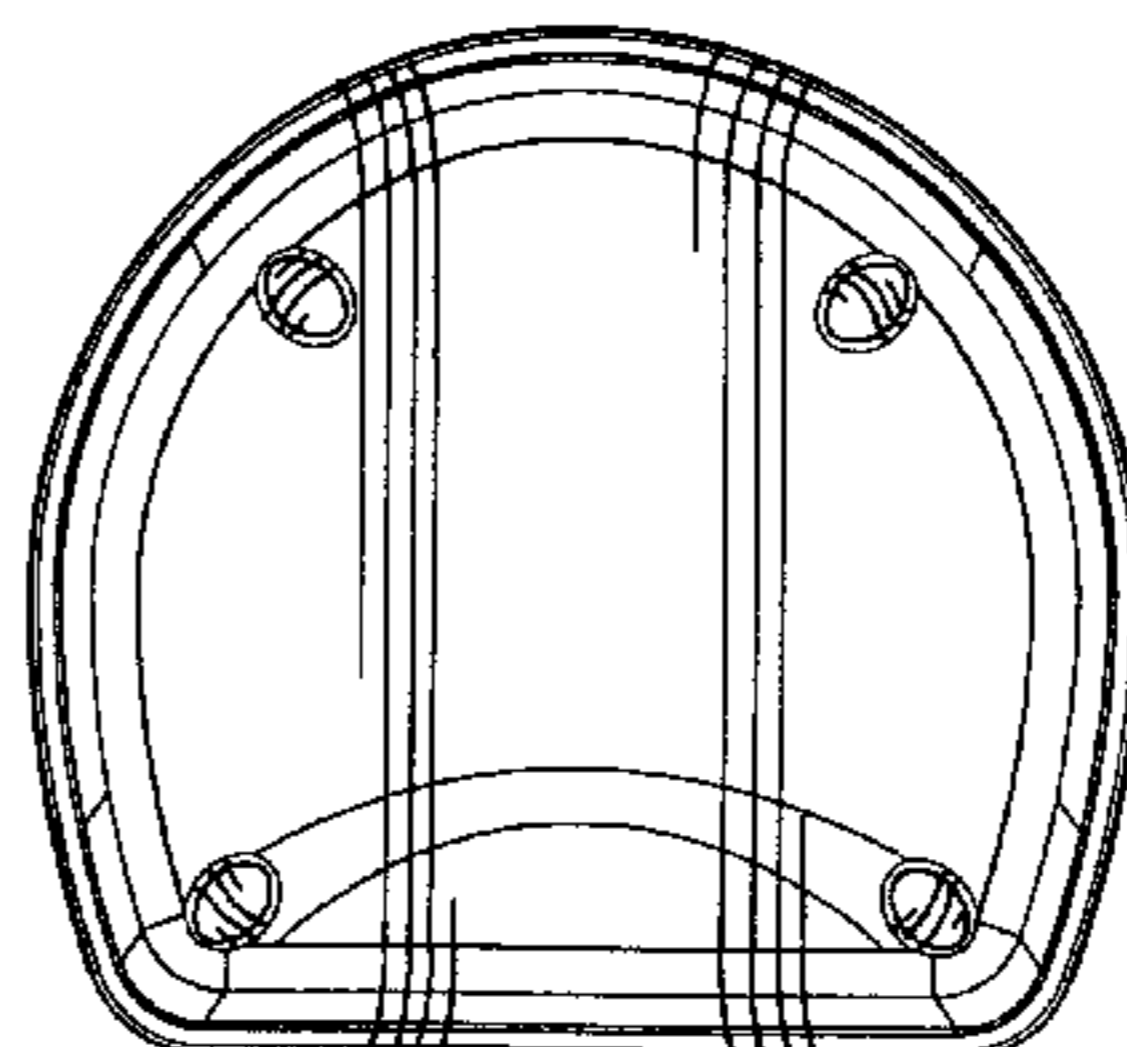
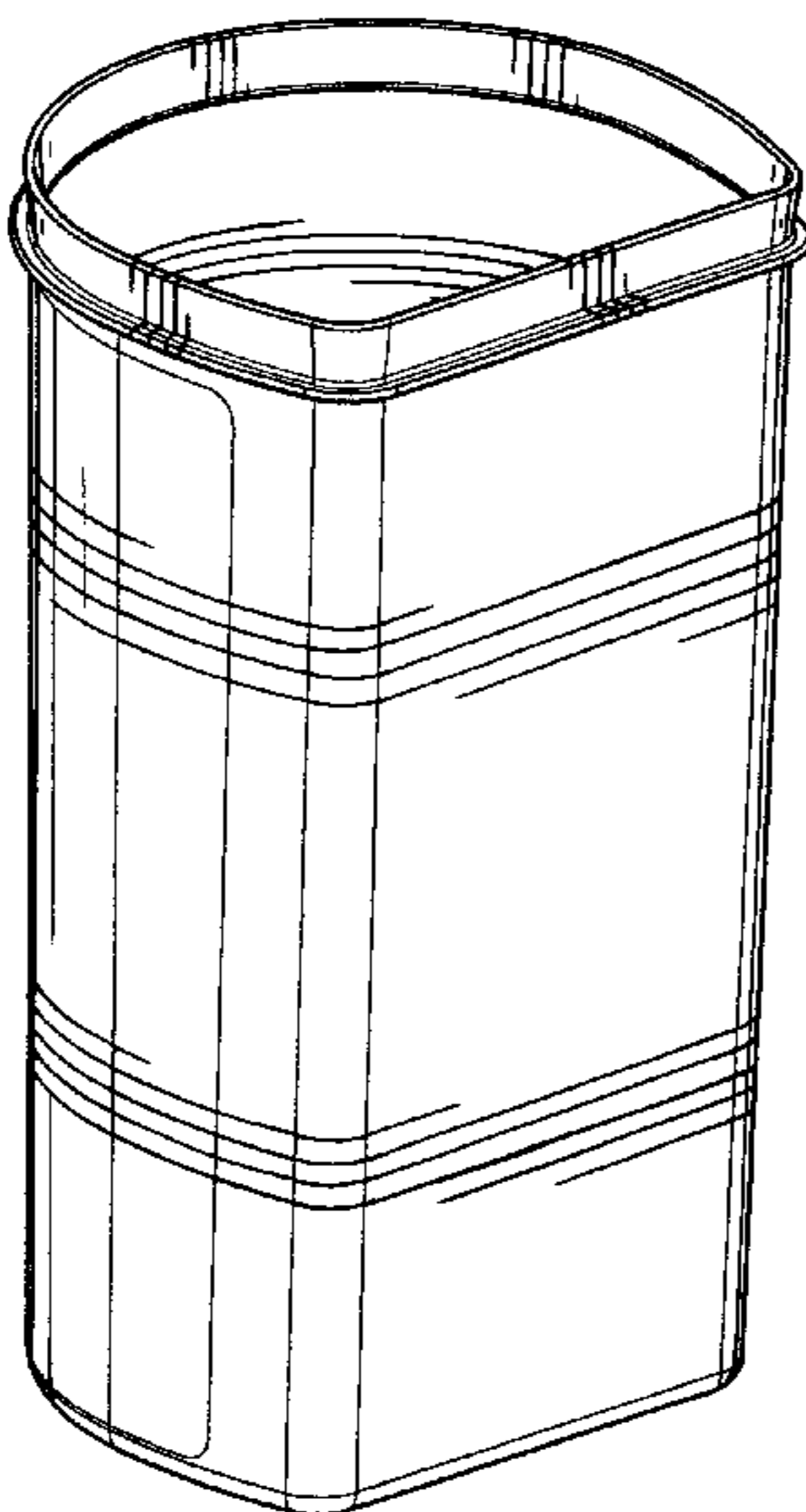
[57] **CLAIM**

The ornamental design for a bagel storage container, as shown and described.

DESCRIPTION

FIG. 1 is a top left front perspective view of a bagel storage container showing my new design;
FIG. 2 is a top plan view thereof;
FIG. 3 is a rear elevational view thereof;
FIG. 4 is a left side elevational view thereof; the right side elevational being a mirror image;
FIG. 5 is a front elevational view thereof; and,
FIG. 6 is a bottom plan view thereof.

1 Claim, 3 Drawing Sheets



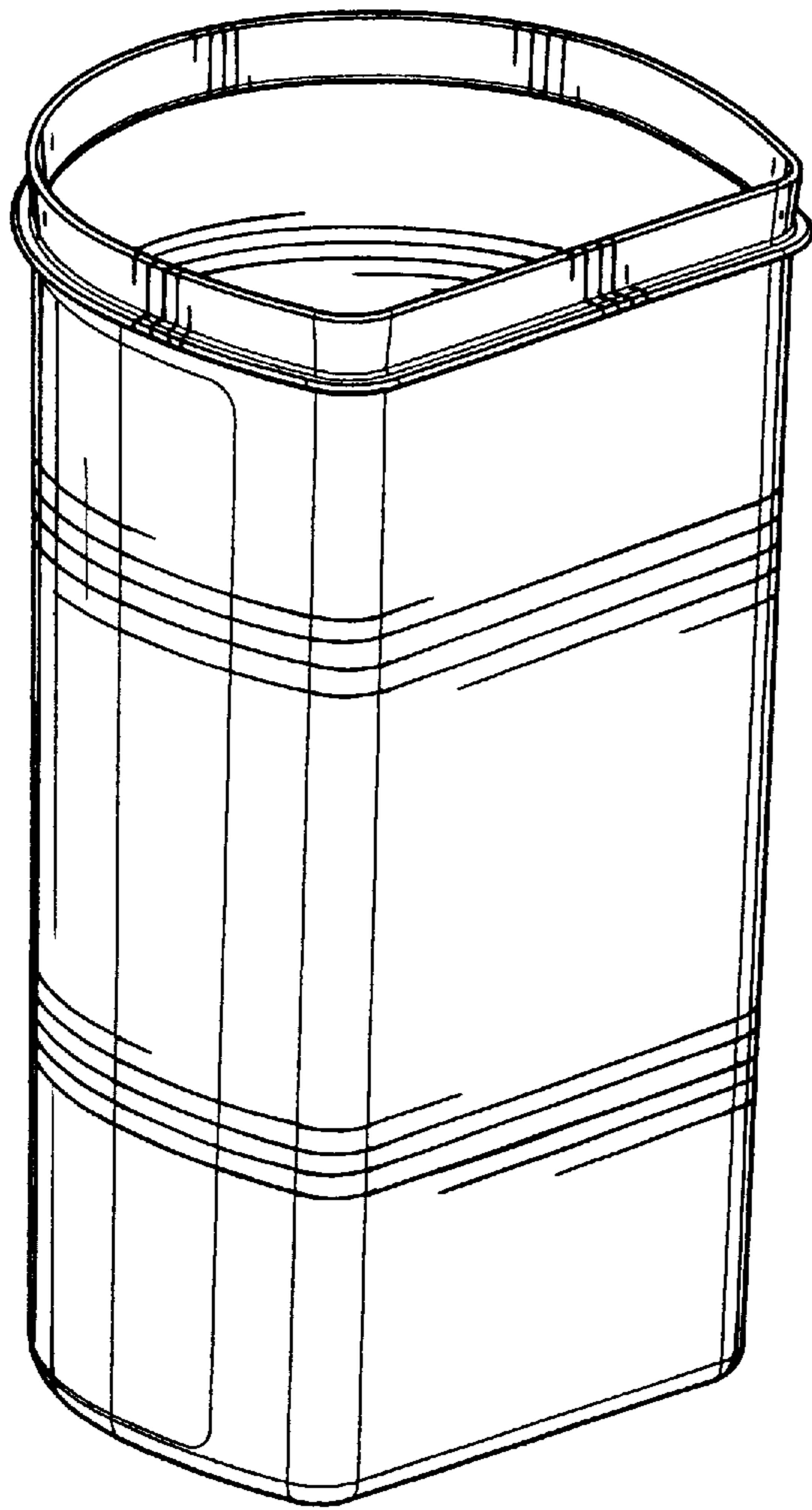


Fig-1

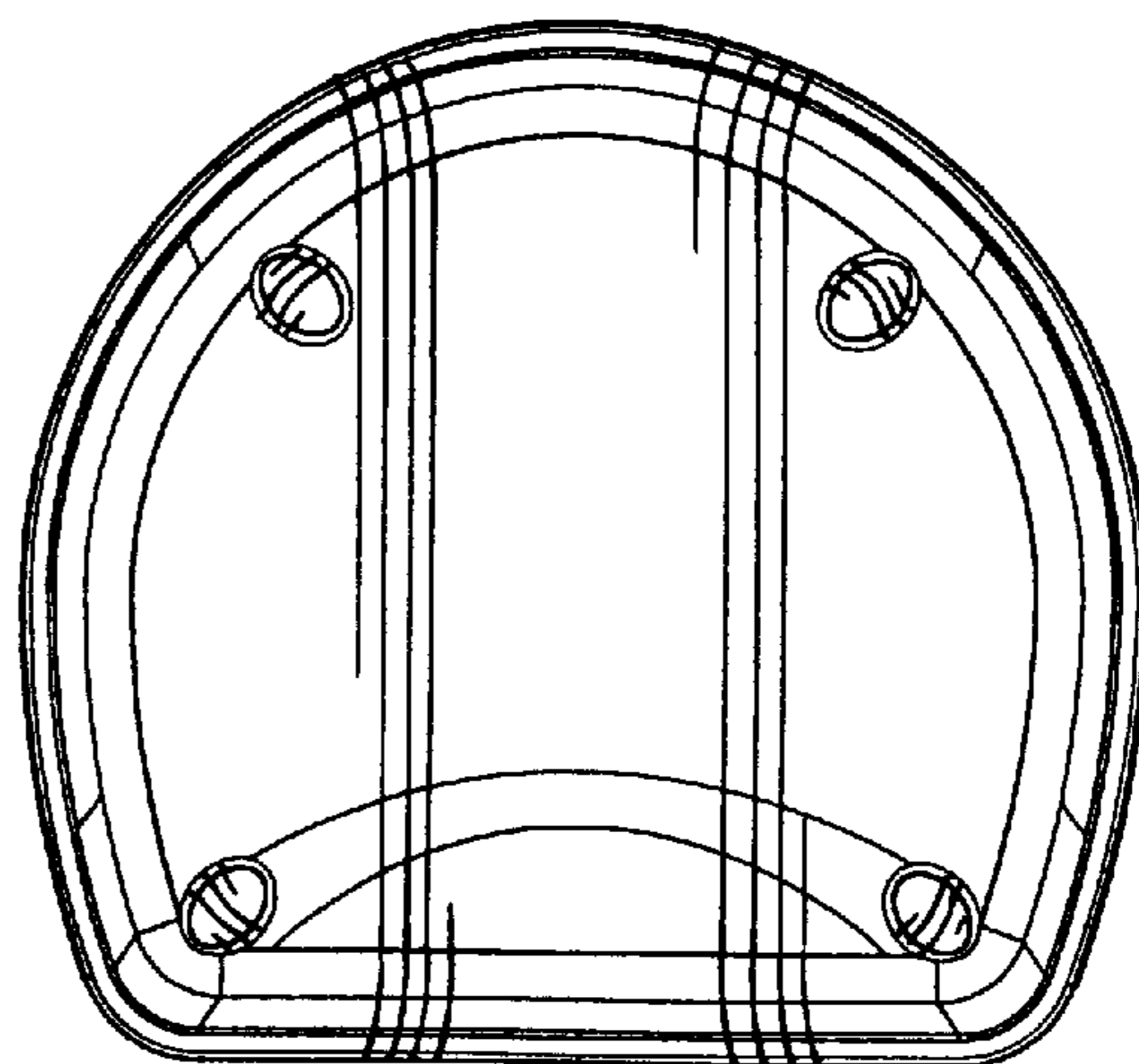


Fig-2

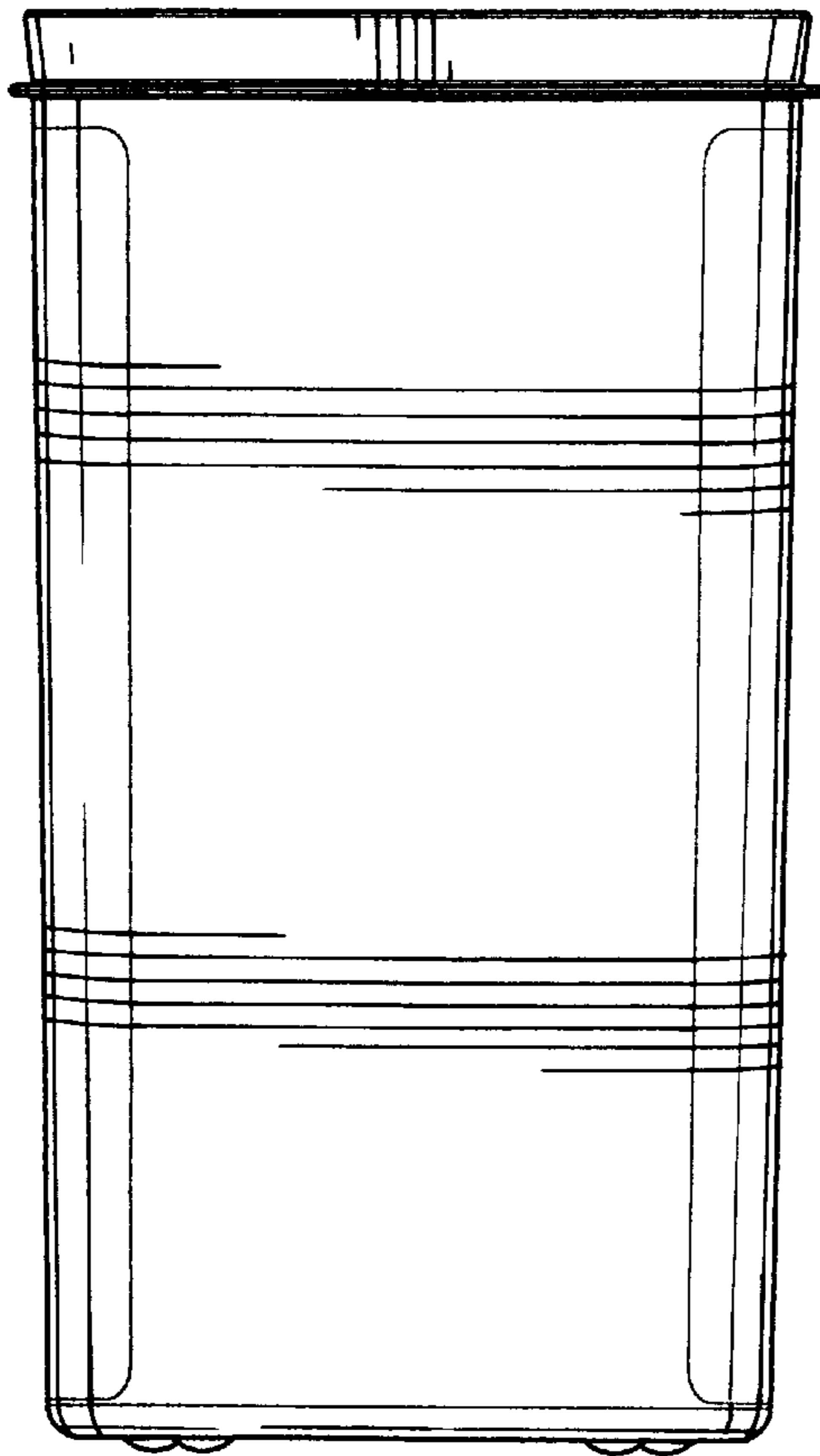


Fig-3

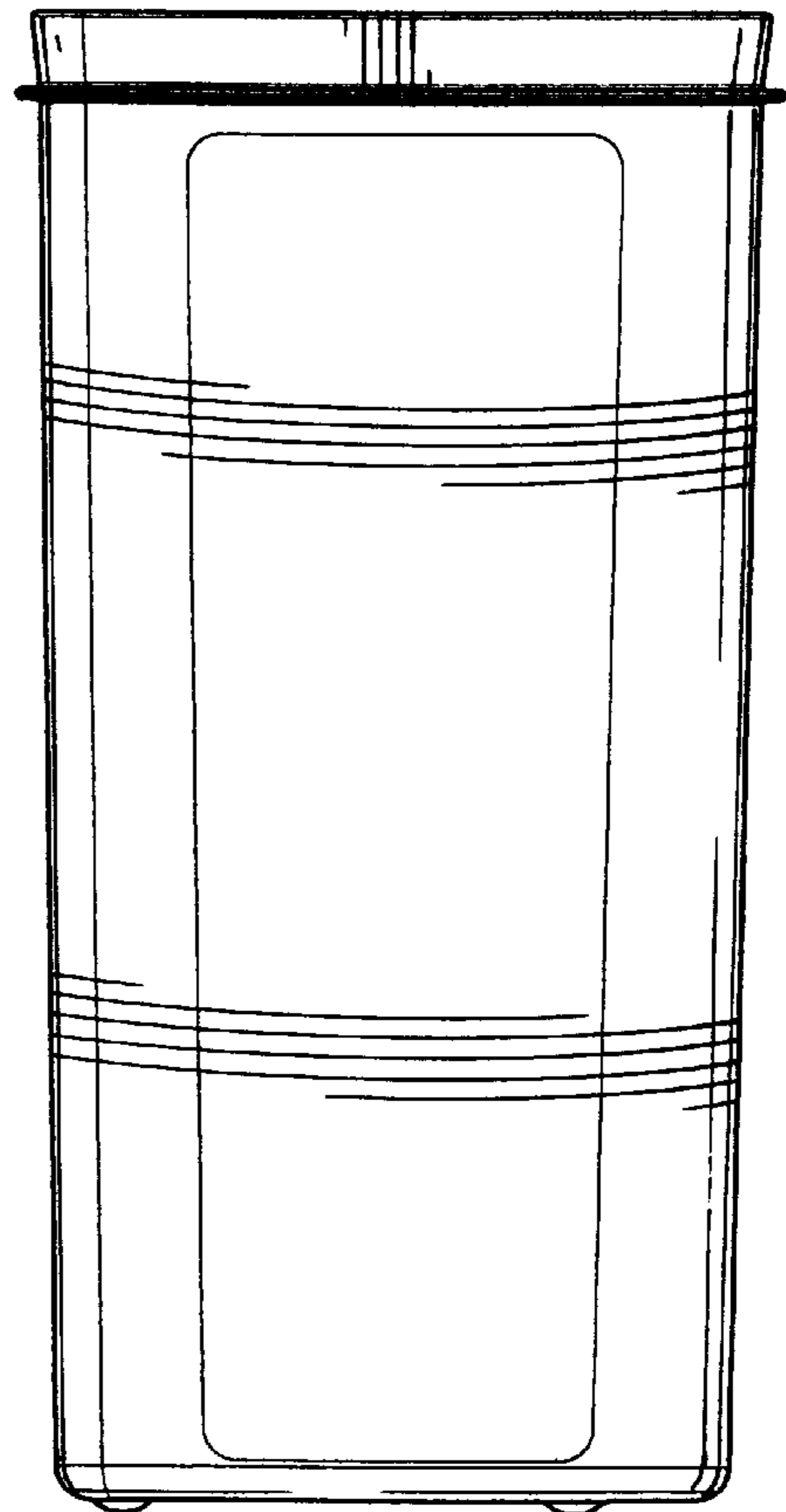


Fig-4

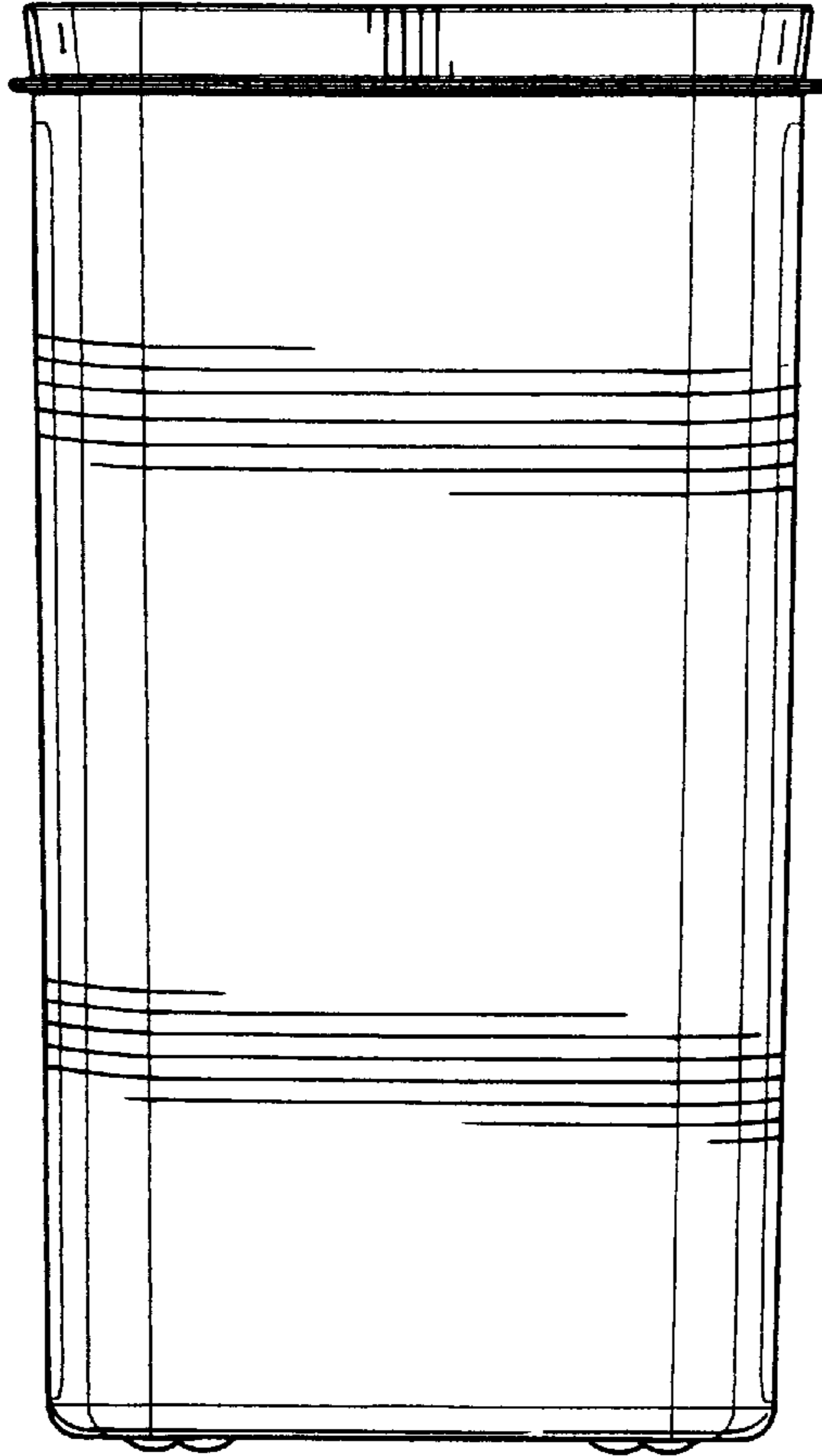


Fig-5

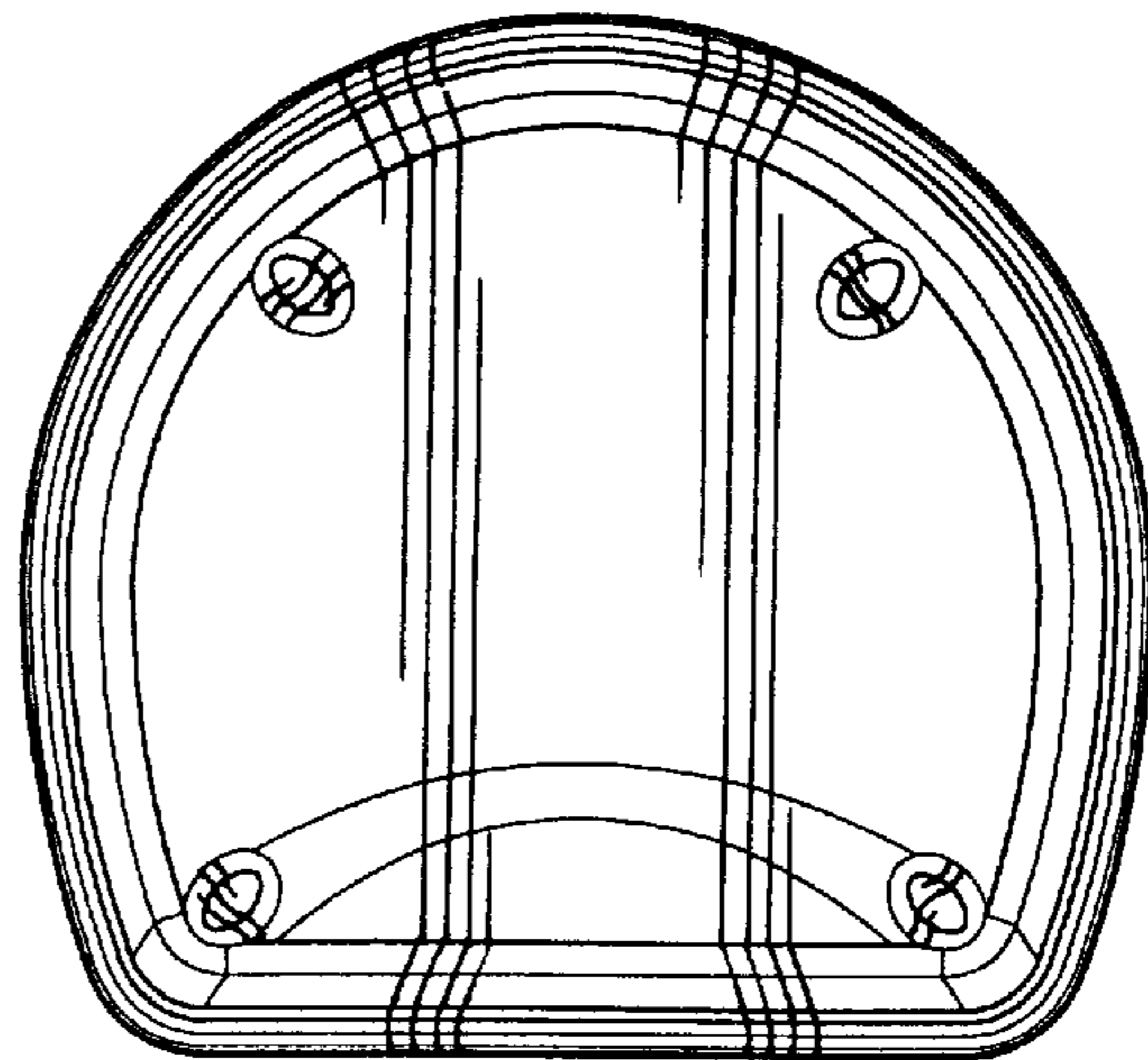


Fig-6