



US00D401115S

United States Patent [19] Huang

[11] Patent Number: **Des. 401,115**

[45] Date of Patent: ****Nov. 17, 1998**

[54] **CONTAINER FOR RECEIVING AND DISPENSING OF PARTICULATES**

4,271,979 6/1981 Manz 221/288
4,583,661 4/1986 Clover, Jr. 221/5 X

[75] Inventor: **Daiying Huang**, Chicago, Ill.

Primary Examiner—Antoine Duval Davis
Attorney, Agent, or Firm—Olson & Hierl, Ltd.

[73] Assignee: **The Pampered Chef, Ltd.**, Addison, Ill.

[57] **CLAIM**

[**] Term: **14 Years**

The ornamental design for a container for receiving and dispensing of particulates, as shown and described.

[21] Appl. No.: **76,144**

DESCRIPTION

[22] Filed: **Aug. 26, 1997**

FIG. 1 is a perspective view of one embodiment of the inventive design for a container for receiving and dispensing of particulates;

[51] **LOC (6) Cl.** **07-06**

[52] **U.S. Cl.** **D7/589; D9/547**

FIG. 2 is a top plan view of the FIG. 1 container;

[58] **Field of Search** D10/46, 81; 221/2-8, 221/282-288, 303-310, DIG. 1; D7/589, 590; D9/547; D24/117, 118, 121, 140

FIG. 3 is a right side (relative to FIG. 1) elevational view of the FIG. 1 container;

FIG. 4 is a left side (relative to FIG. 1) elevational view of the FIG. 1 container;

[56] **References Cited**

U.S. PATENT DOCUMENTS

D. 188,631 8/1960 Gorenflo D7/589
D. 378,041 2/1997 Stovall D9/547 X
2,117,685 5/1938 Smith, Jr. 221/288
4,127,190 11/1978 Sunnen 221/2 X

FIG. 5 is a front side (relative to FIG. 1) elevational view of the FIG. 1 container;

FIG. 6 is a back side (relative to FIG. 1) elevational view of the FIG. 1 container; and,

FIG. 7 is a bottom plan view of the FIG. 1 container.

1 Claim, 2 Drawing Sheets

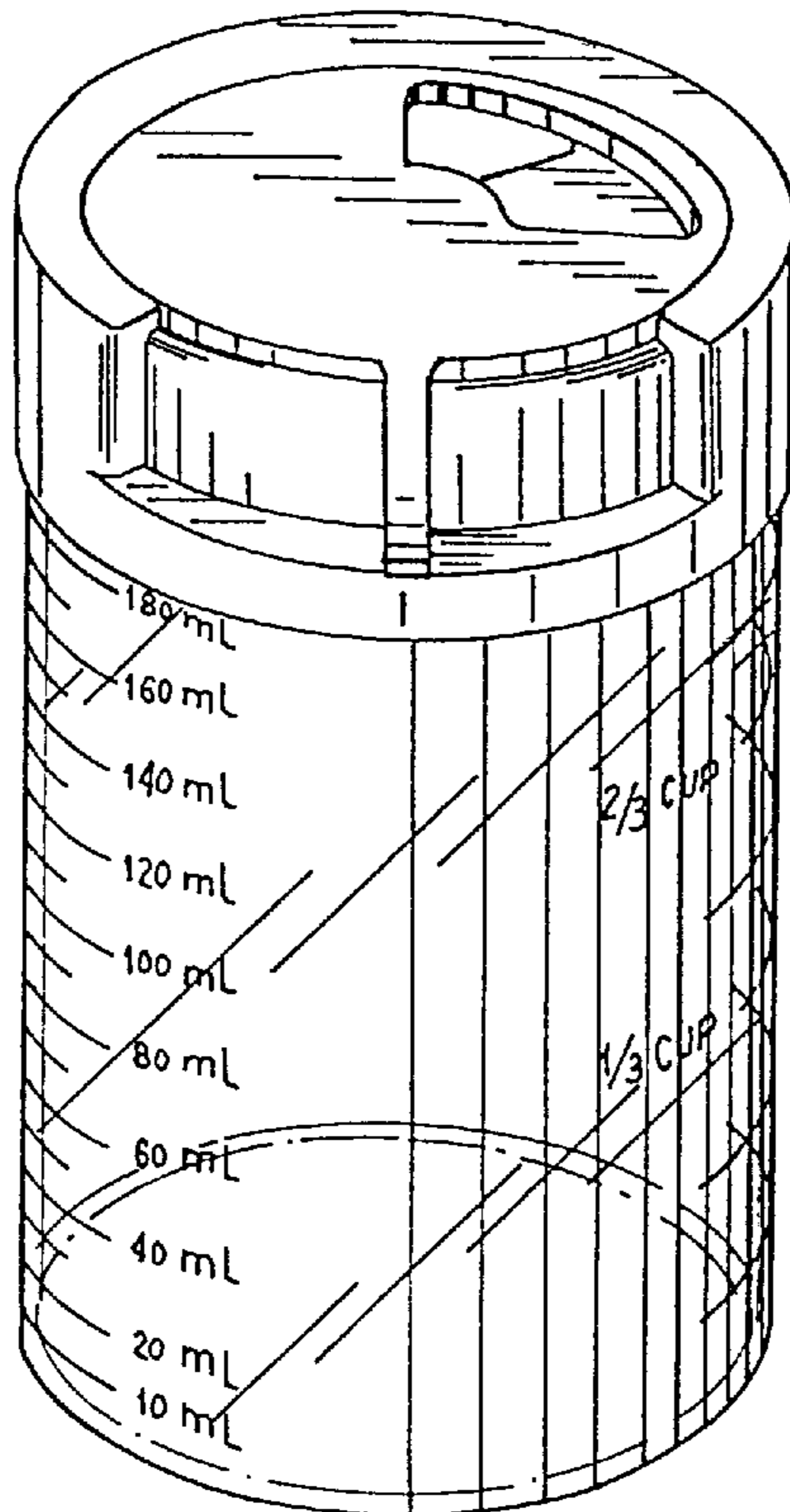


FIG. 1

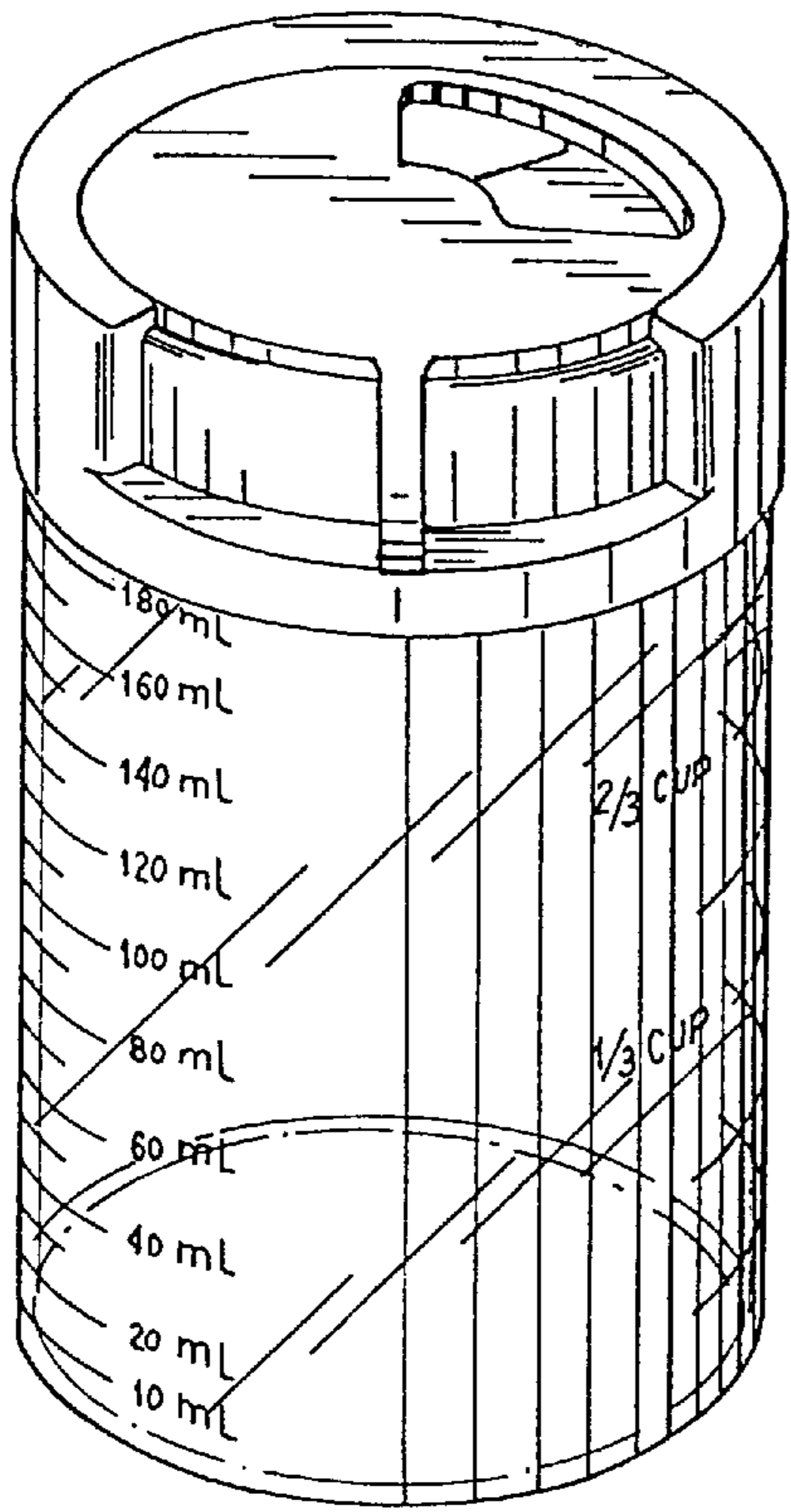


FIG. 2

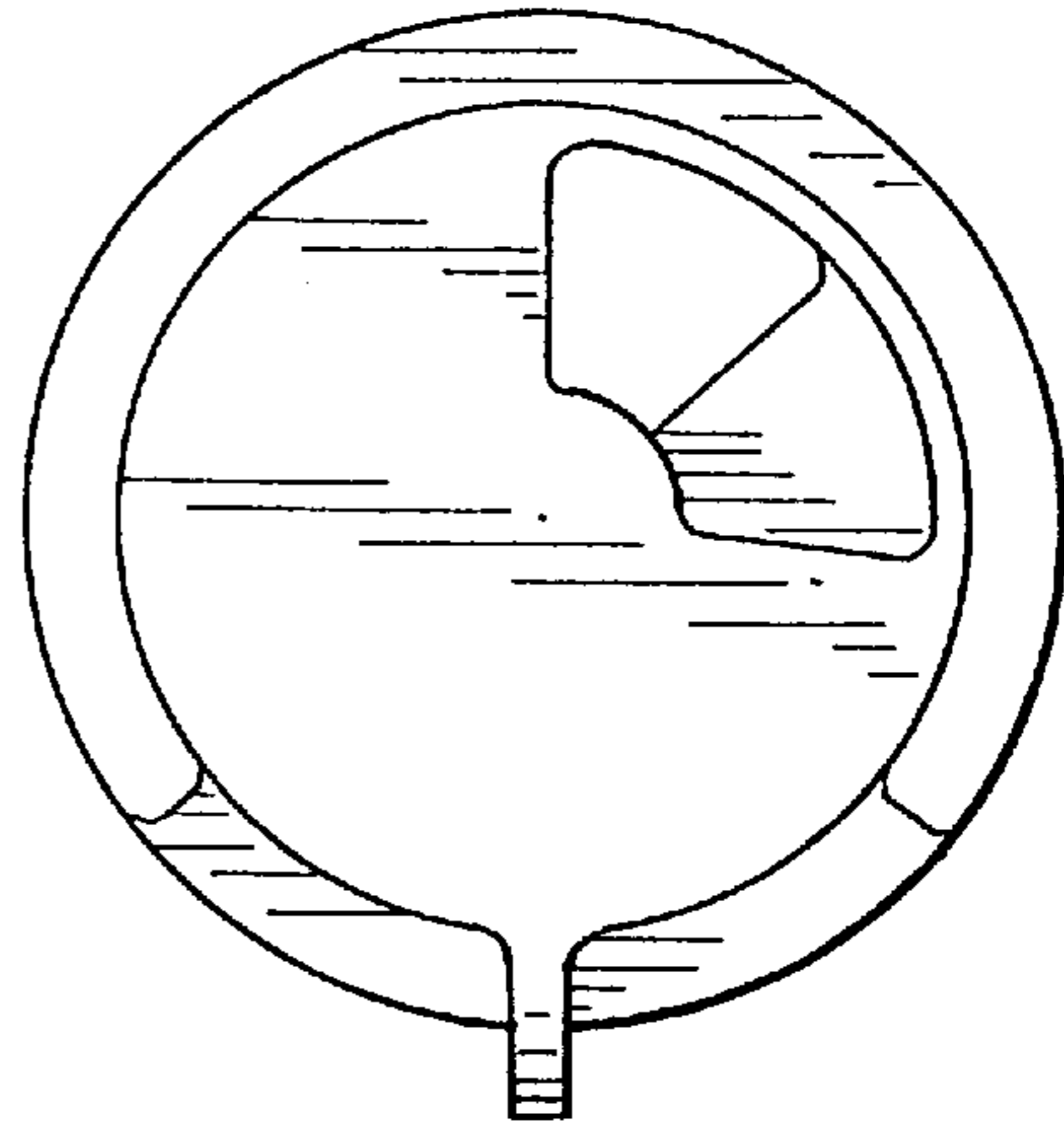


FIG. 3

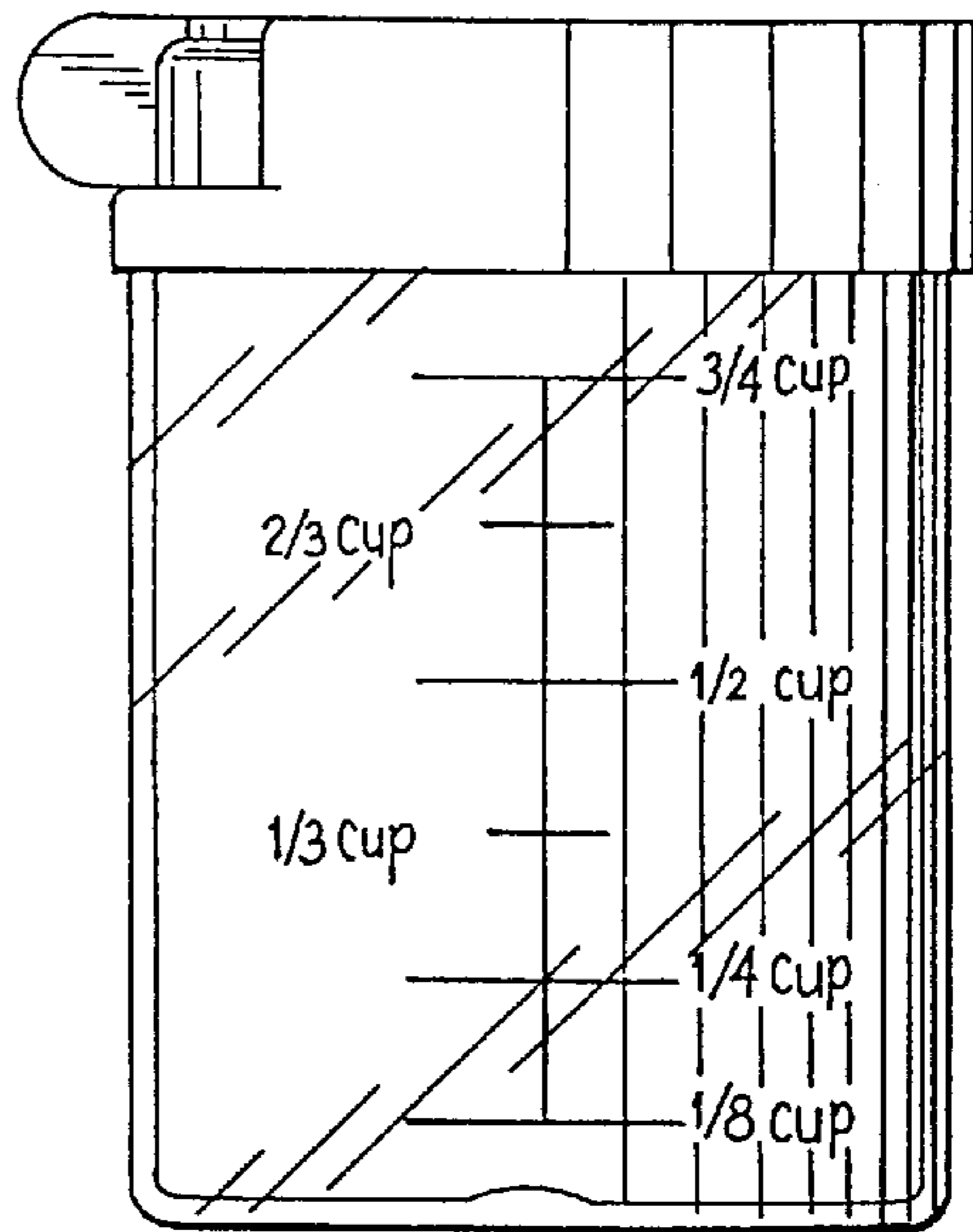


FIG. 4

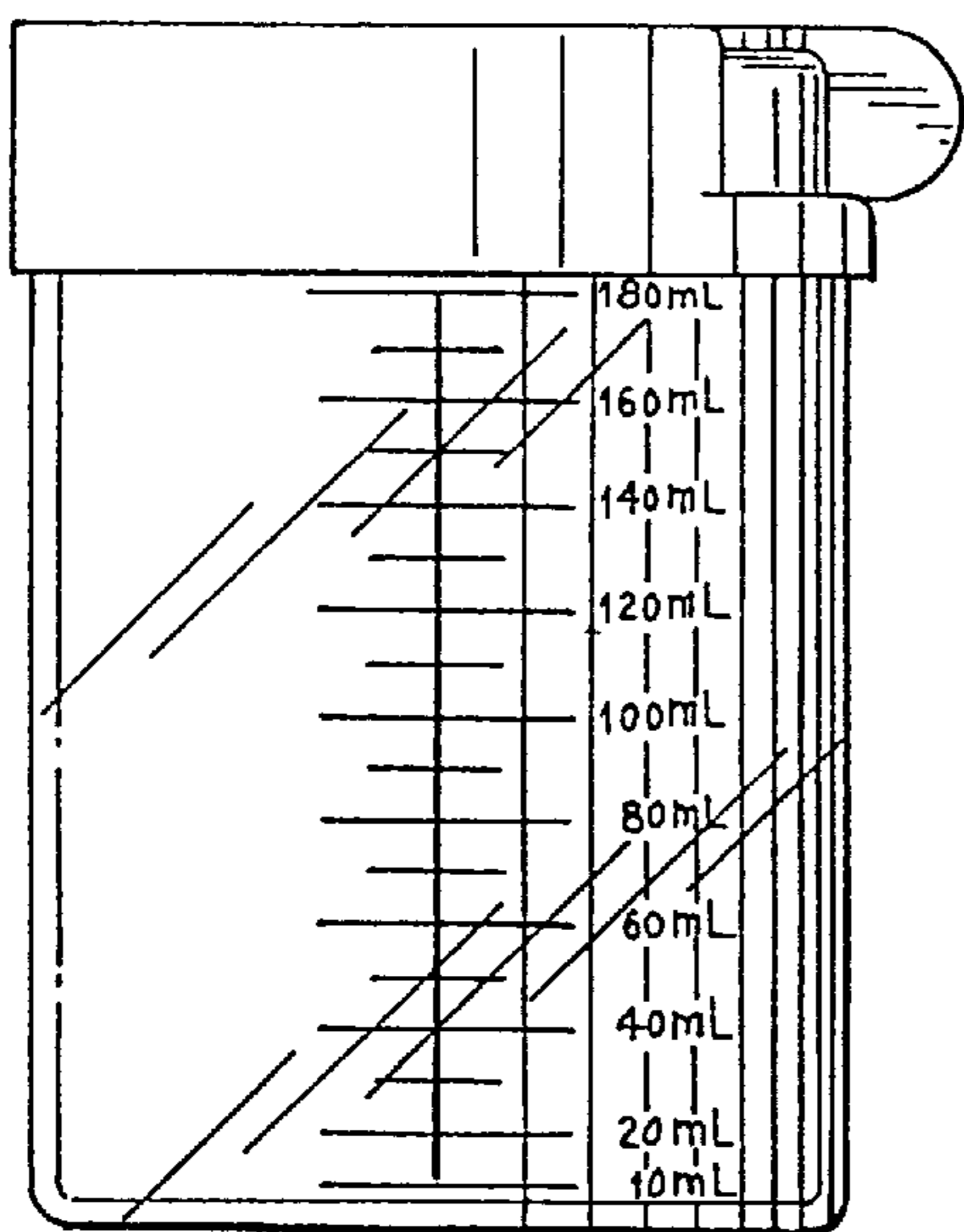


FIG. 5

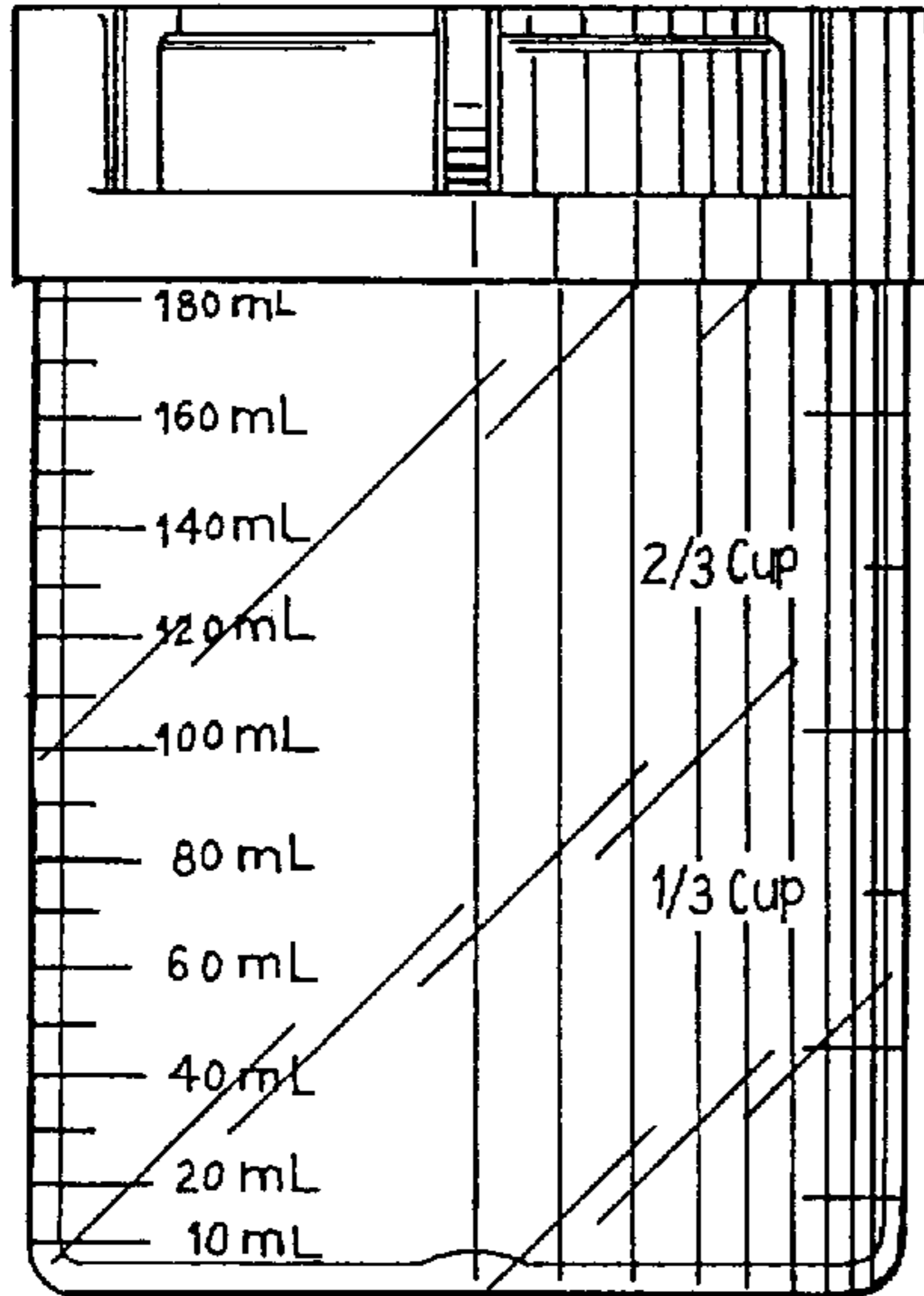


FIG. 6

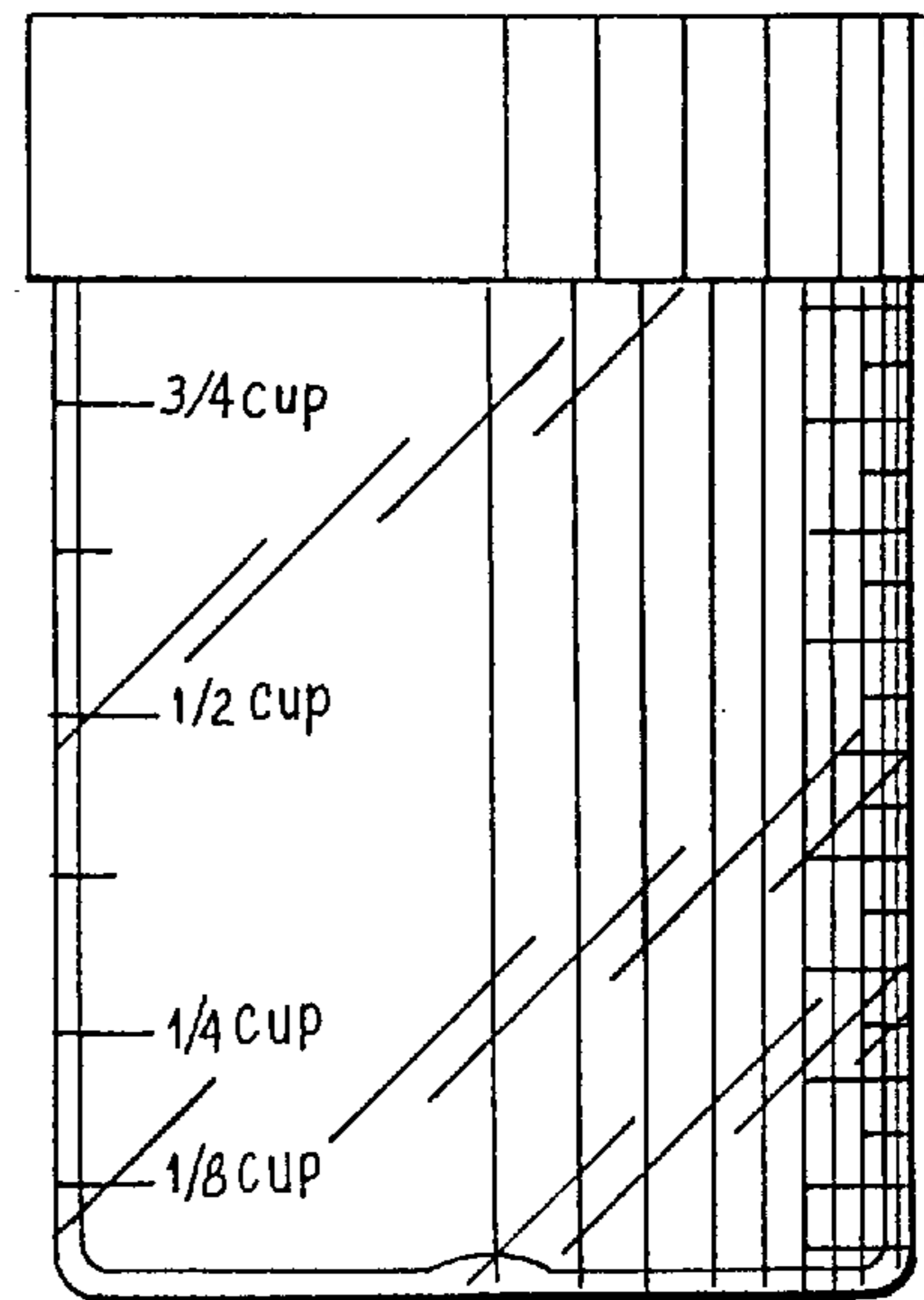


FIG. 7

