



US00D401109S

United States Patent [19]

Demore

[11] Patent Number: Des. 401,109

[45] Date of Patent: **Nov. 17, 1998

[54] LID FOR BAGEL STORAGE CONTAINER

[75] Inventor: Anthony Demore, Copley, Ohio

[73] Assignee: Rubbermaid Incorporated, Wooster, Ohio

[**] Term: 14 Years

[21] Appl. No.: 81,841

[22] Filed: Dec. 15, 1997

[51] LOC (6) Cl. 07-99

[52] U.S. Cl. D7/391

[58] Field of Search D7/391-392.1, D7/538-542, 612-615; D9/434, 435, 438, 443; 220/254, 309.1, 309.2, 338, 339, 281, 793, 796, 780, 781, 805

[56] References Cited

U.S. PATENT DOCUMENTS

D. 228,867	10/1973	Mallonn	D7/131
D. 229,737	1/1974	Taylor	D7/131
D. 230,342	2/1974	Mallonn	D7/131
D. 230,343	2/1974	Mallonn	D7/131
D. 230,344	2/1974	Taylor	D7/131
D. 230,556	3/1974	Mallonn	D7/131
D. 267,703	1/1983	Cahse et al.	D9/435
D. 274,030	5/1984	Daenen et al.	D9/435
D. 277,724	2/1985	Daenen et al.	D7/392
D. 329,572	9/1992	Krupa	D7/542
D. 339,958	10/1993	Olsen et al.	D7/538
D. 352,423	11/1994	Laib	D7/538
D. 359,905	7/1995	Molo	D9/447
D. 360,105	7/1995	Doxey	D7/391
D. 363,638	10/1995	Feer	D7/391
D. 366,397	1/1996	Zimmerman	D7/629
D. 367,996	3/1996	Rausch	D7/602
D. 371,963	7/1996	Ahern, Jr.	D9/428
D. 372,163	7/1996	Ahern, Jr.	D7/392.1
D. 372,164	7/1996	Ahern, Jr.	D7/392.1
D. 373,704	9/1996	Doxey	D7/391
D. 374,590	10/1996	Ahern, Jr.	D7/392.1
D. 374,794	10/1996	Ahern, Jr.	D7/392.1
D. 376,952	12/1996	Rausch	D7/392.1

D. 377,733	2/1997	Ahern, Jr.	D7/392.1
D. 378,563	3/1997	Ferris	D7/629
D. 379,133	5/1997	Ahern, Jr.	D7/392.1
D. 381,560	7/1997	Indekeu	D7/538
D. 381,864	8/1997	Feer	D7/392.1
D. 384,551	10/1997	Ahern, Jr.	D7/392.1
3,384,263	5/1968	Bernstein	220/793 X
3,424,342	1/1969	Scopp et al.	220/60
3,773,207	11/1973	Dokoupil et al.	220/27
4,471,880	9/1984	Taylor et al.	220/306
5,377,860	1/1995	Littlejohn et al.	220/306
5,425,467	6/1995	Feer et al.	220/281
5,507,407	4/1996	Feer et al.	220/281
5,624,051	4/1997	Ahern, Jr. et al.	220/553

OTHER PUBLICATIONS

Page 3, Food container lid; Tupperware Home Parties, 2211 Sanders Road, Northbrook, Illinois 60062. Publication date Fall, 1993.

Photograph, Bagel container lid; Budeez™, P. O. Box 4178, Hazelwood, Missouri 63042. Published at least as early as Aug., 1997.

Catalog page, Food storage containers; Rubbermaid Incorporated, 1147 Akron Road, Wooster, Ohio 44691. Publication date 1991.

Primary Examiner—Terry A. Wallace

Attorney, Agent, or Firm—Richard B. O'Planick

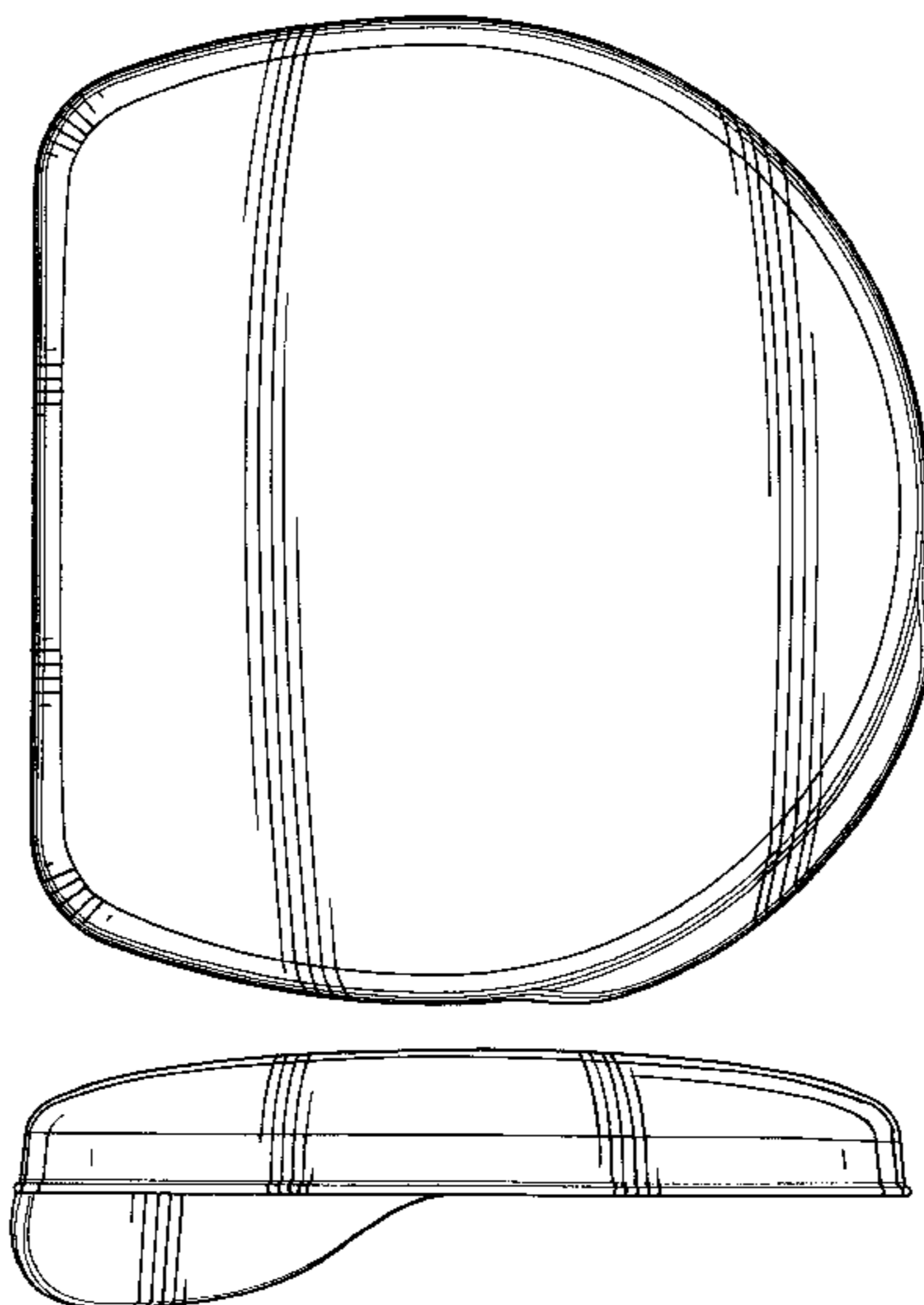
[57] CLAIM

The ornamental design for a lid for bagel storage container, as shown and described.

DESCRIPTION

FIG. 1 is a top left front perspective view of a lid for bagel storage container showing my new design; FIG. 2 is a rear elevational view thereof; FIG. 3 is a front elevational view thereof; FIG. 4 is a top plan view thereof; FIG. 5 is a right side elevational view thereof; FIG. 6 is a bottom plan view thereof; and, FIG. 7 is a left side elevational view thereof.

1 Claim, 3 Drawing Sheets



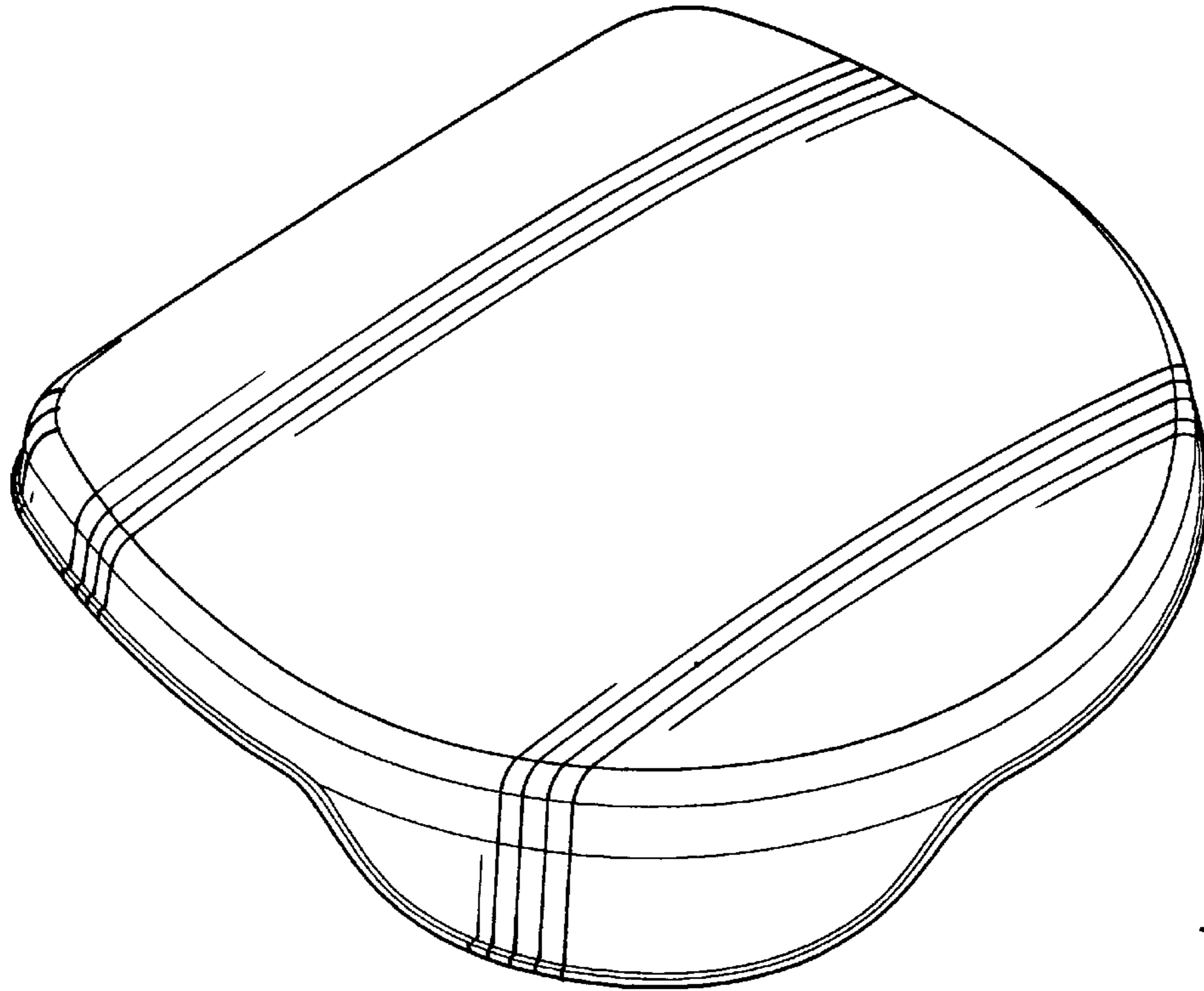


Fig-1

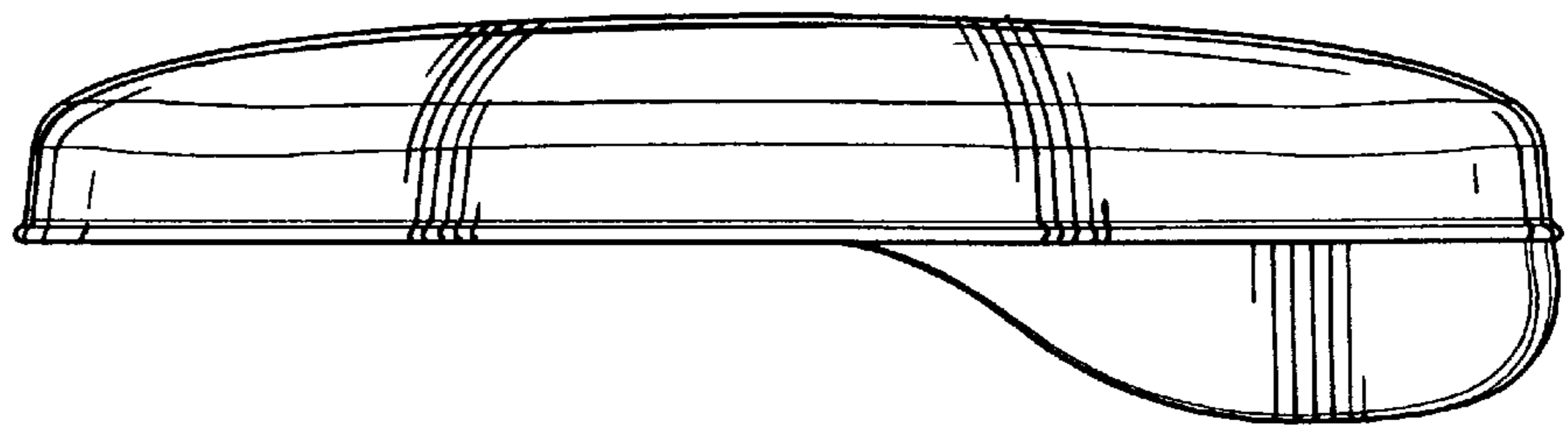


Fig-2

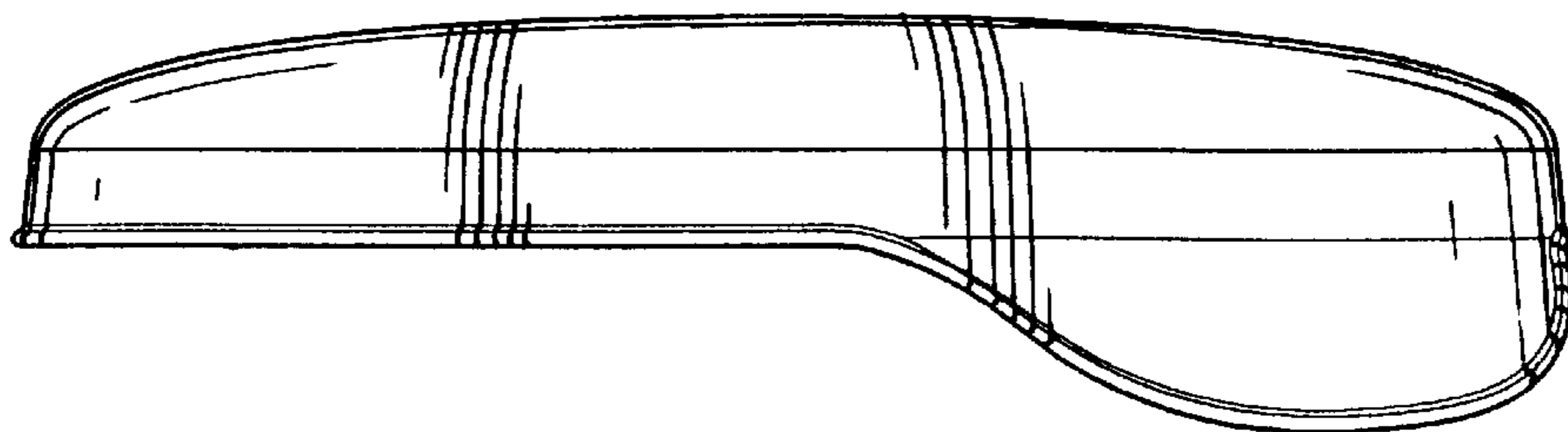


Fig-3

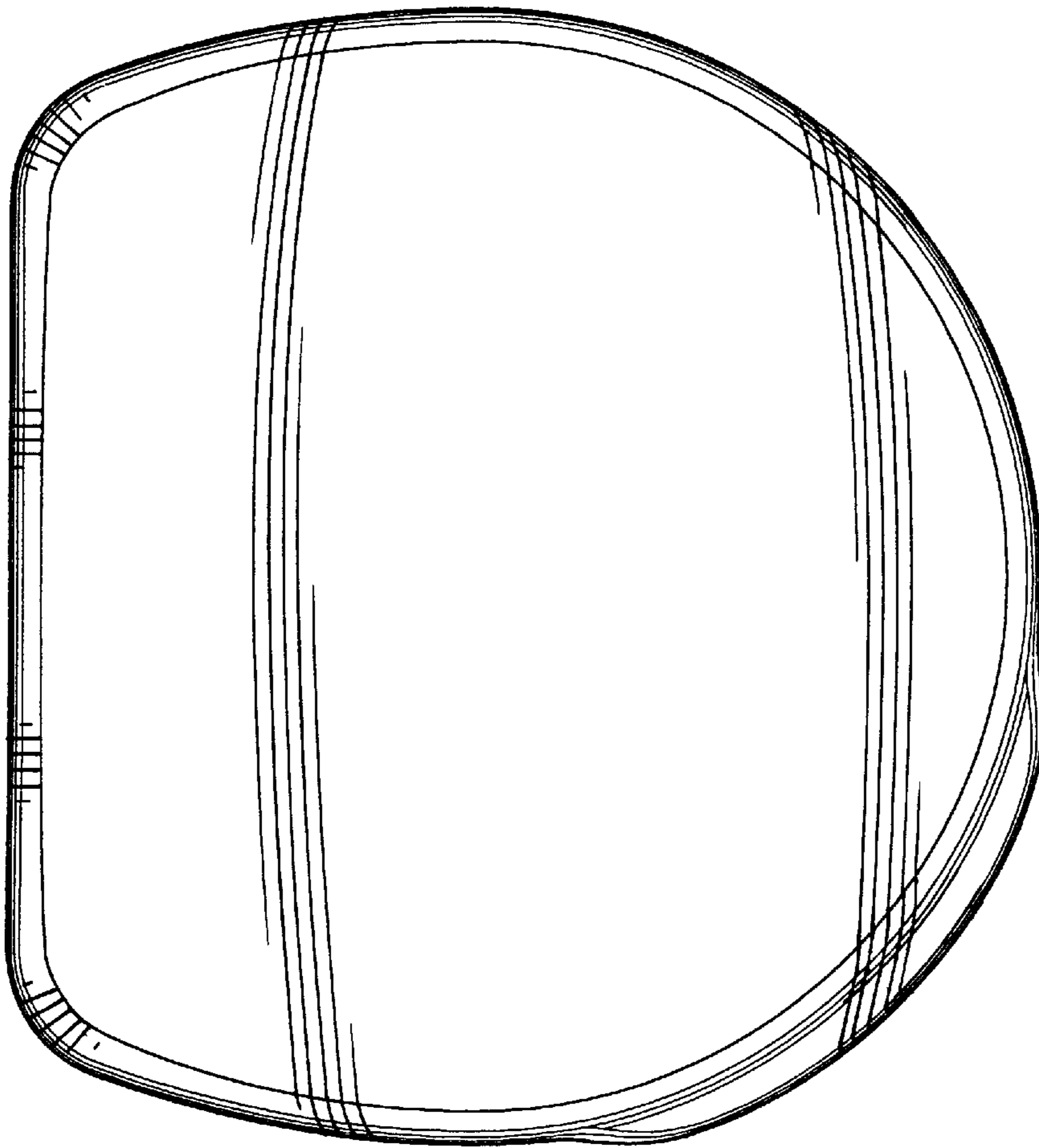


Fig-4

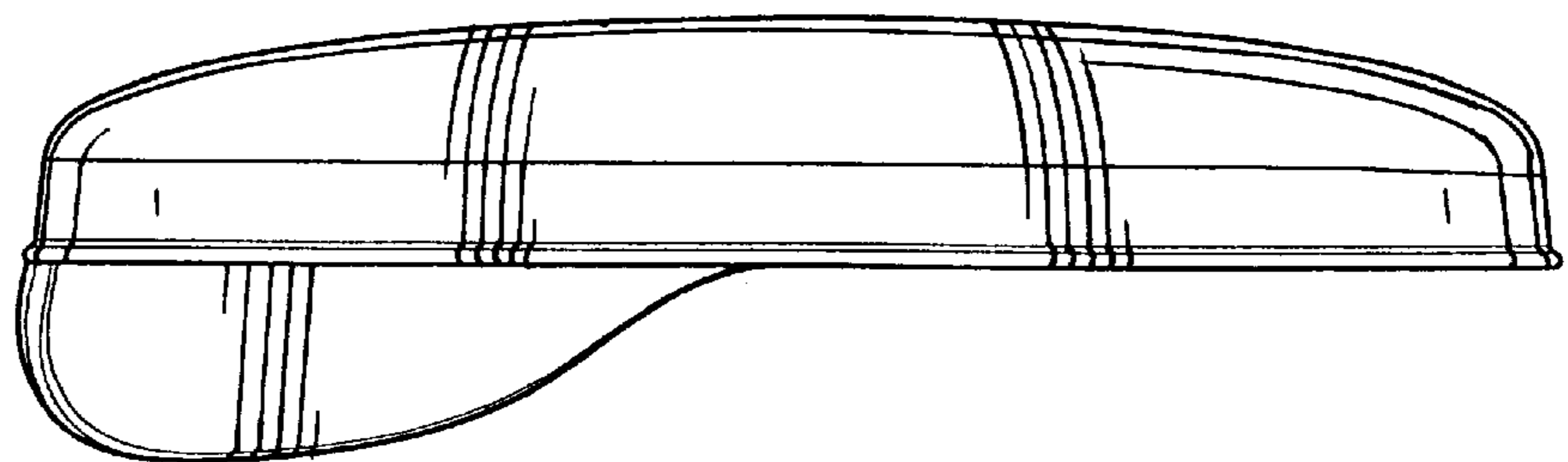


Fig-5

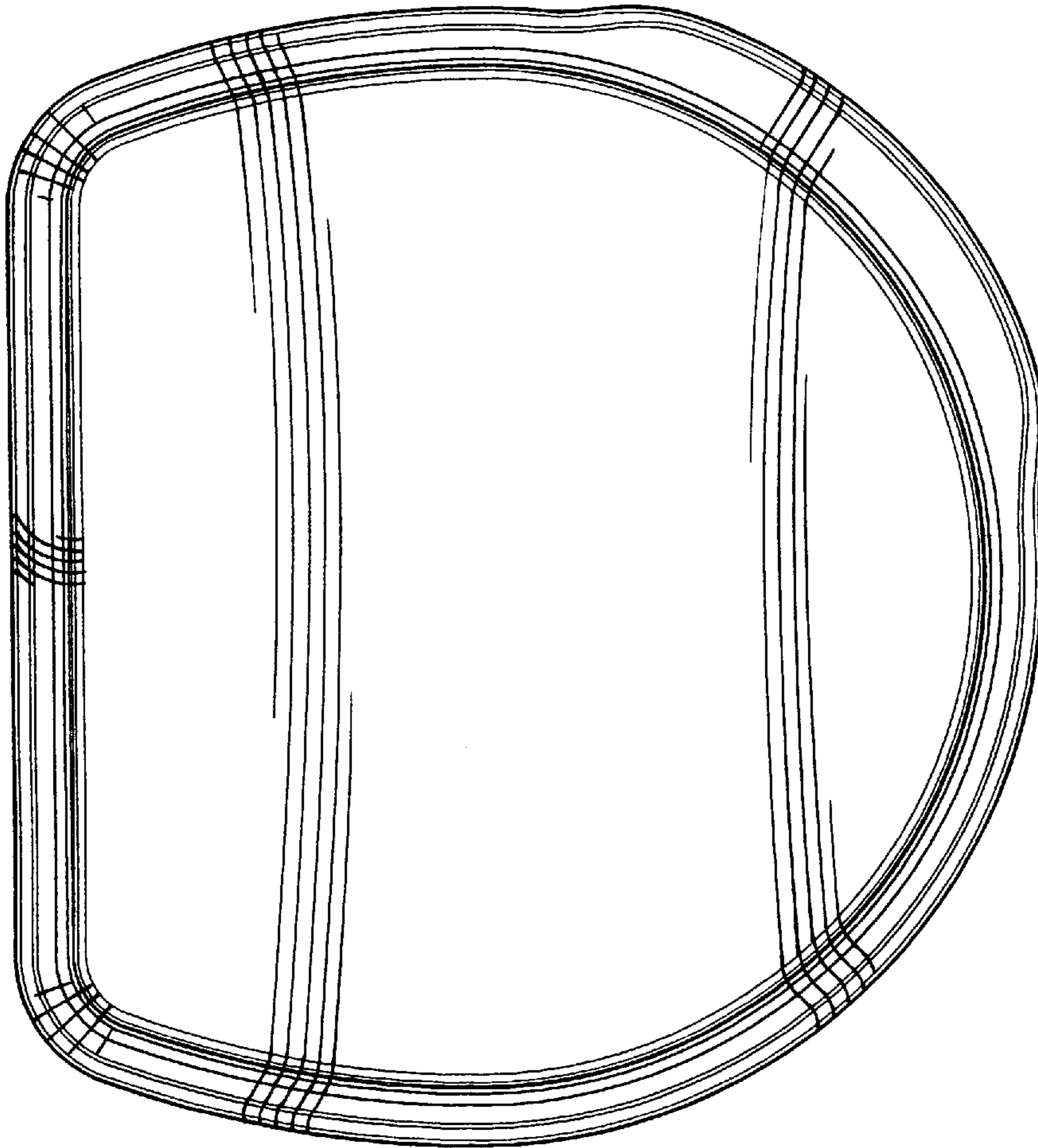


Fig-6

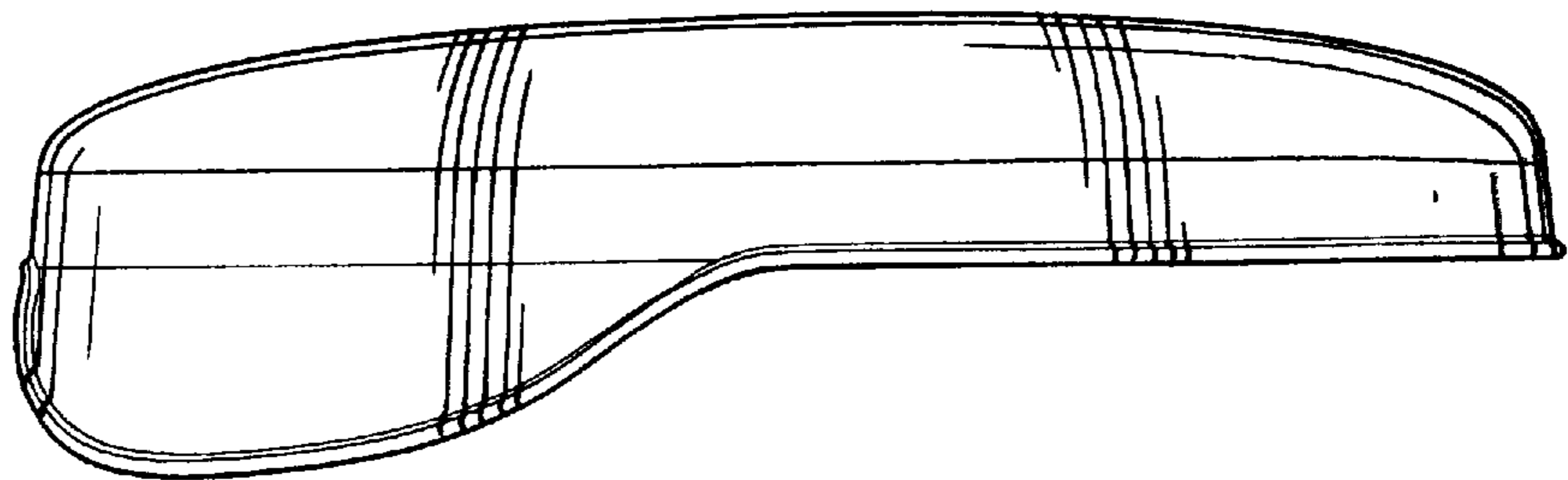


Fig-7