



US00D401108S

United States Patent [19]

Pochopień et al.

[11] Patent Number: **Des. 401,108**

[45] Date of Patent: ****Nov. 17, 1998**

[54] COFFEEMAKER

[75] Inventors: **Paweł Pochopień; Andrzej Śmiałek**, both of Kraków, Poland

[73] Assignee: **Zelmer**, Rzeszow, Poland

[**] Term: **14 Years**

[21] Appl. No.: **68,728**

[22] Filed: **Mar. 11, 1997**

[51] LOC (6) Cl. **07-01**

[52] U.S. Cl. **D7/309; D7/310; D7/311**

[58] Field of Search **D7/309, 310, 311, D7/300, 305; 99/279**

[56] References Cited

U.S. PATENT DOCUMENTS

D. 307,754	5/1990	Osrow et al.	D7/309 X
D. 353,296	12/1994	Assmann	D7/311 X
D. 354,878	1/1995	Lin	D7/309
3,592,125	7/1971	Tolmie	D7/309 X
4,683,812	8/1987	Tarlow et al.	D7/309 X
4,721,034	1/1988	Shimoura	D7/309 X
4,742,767	5/1988	Komatsu et al.	D7/309 X

OTHER PUBLICATIONS

Coffee pot(center/right), Design 461 ,p. 18, May 1987.
Coffee pot(bottom/left), Gifts and Decorative Accessories, pp. 160-166, Dec. 1975.

Coffee pot,(center/right,Form 105,p. 56, Jan. 1984.
Braun Coffee pot,Retail Home Furnishings,p. 37, May 1980.

Primary Examiner—M. N. Pandozzi
Attorney, Agent, or Firm—Horst M. Kasper

[57] CLAIM

The ornamental design for a coffeemaker, as shown and described.

DESCRIPTION

FIG. 1 is a perspective view of a coffeemaker showing my new design;

FIG. 2 is a top plan view thereof;

FIG. 3 is a left side elevational view thereof;

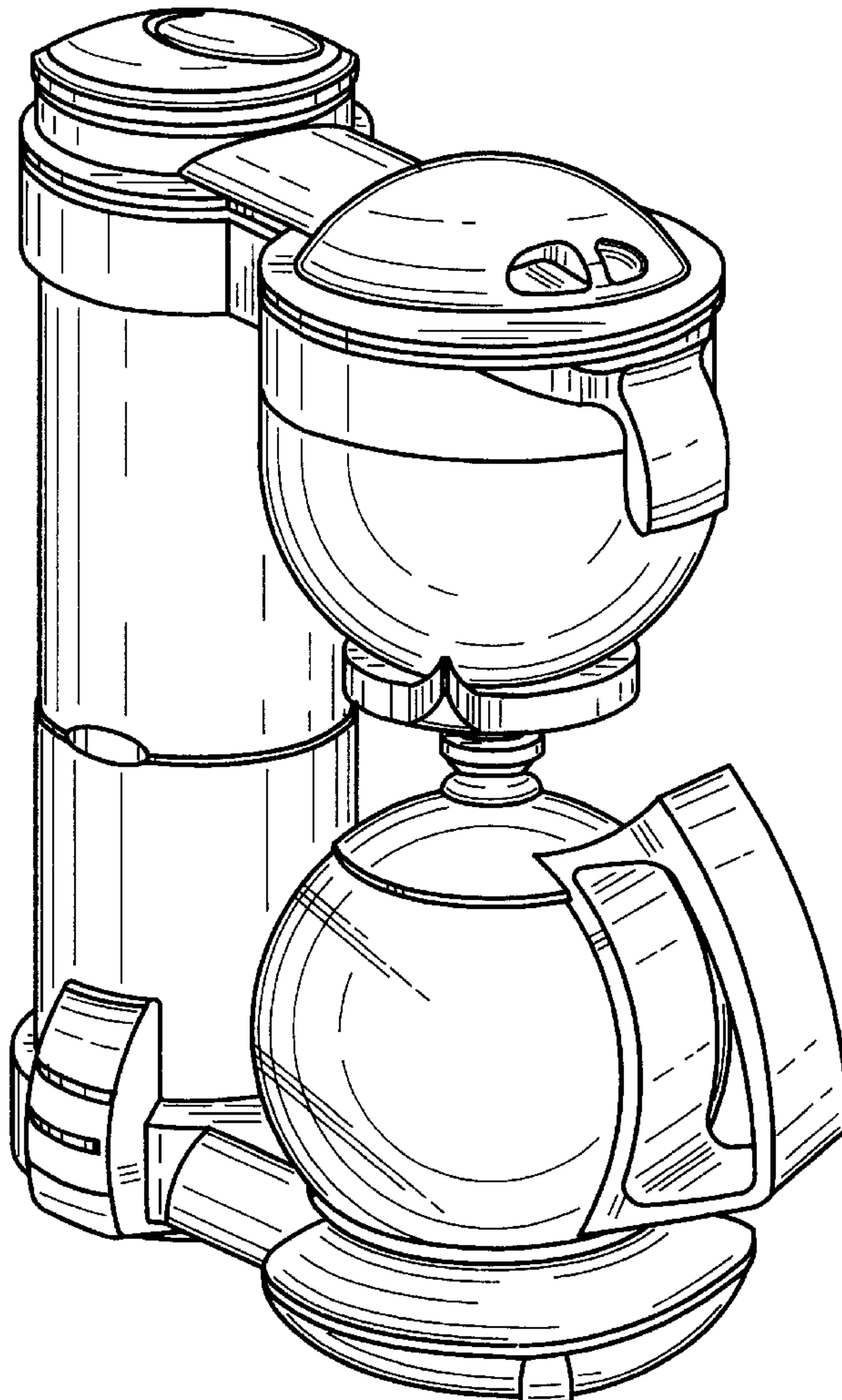
FIG. 4 is a right side elevational view thereof;

FIG. 5 is a rear elevational view thereof;

FIG. 6 is a front elevational view thereof; and,

FIG. 7 is a bottom plan view thereof.

1 Claim, 6 Drawing Sheets



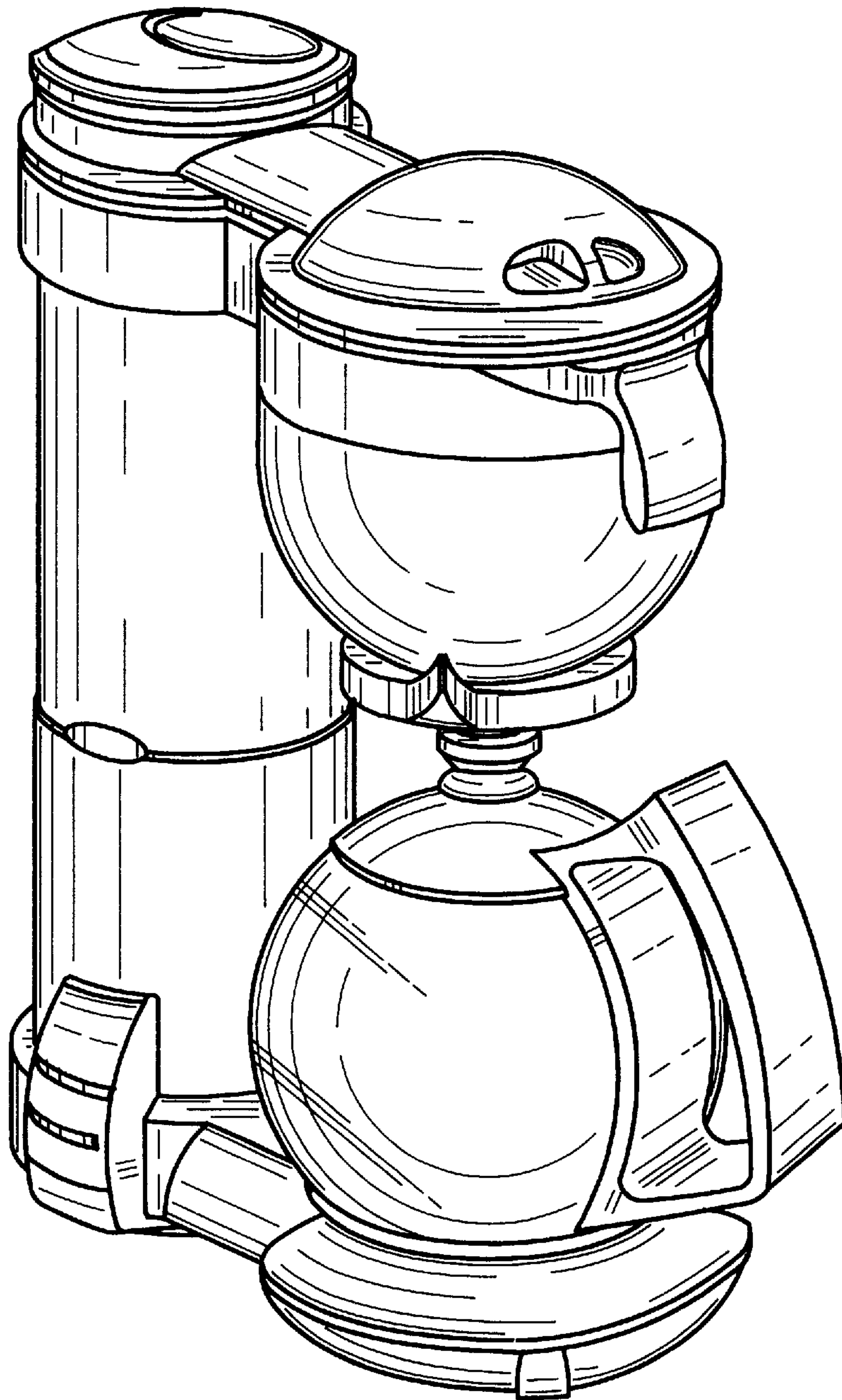


Fig. 1

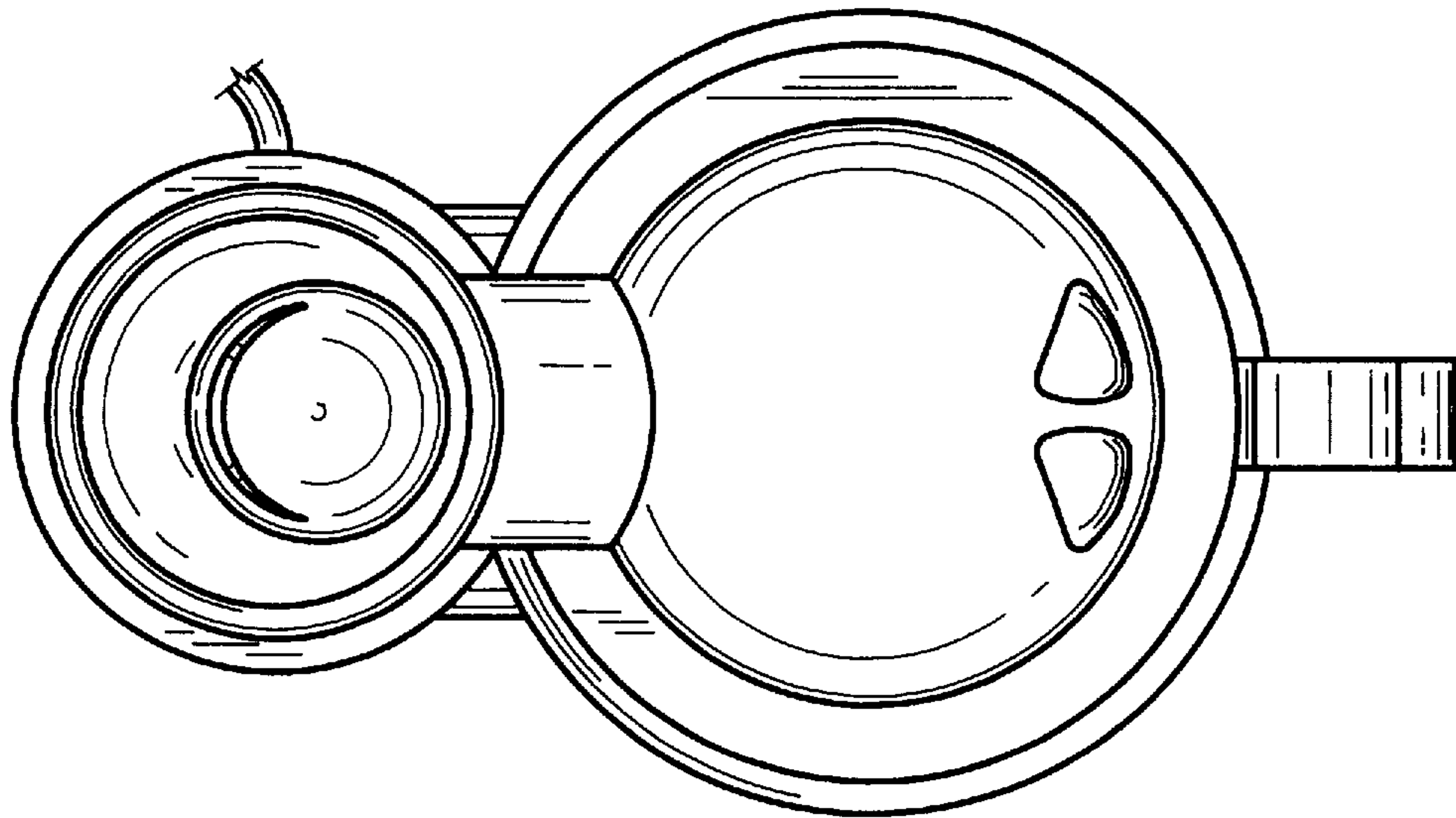


Fig. 2

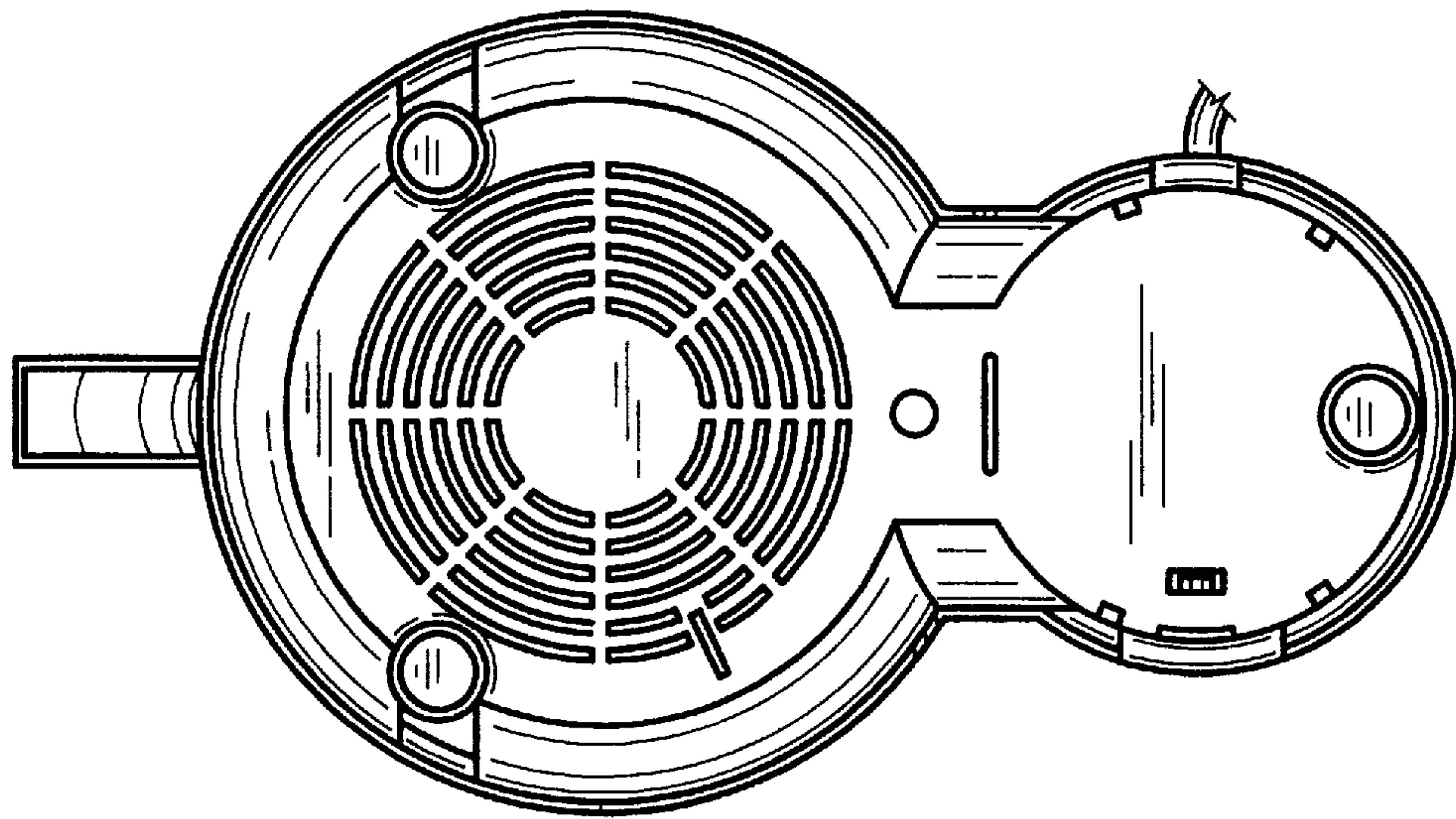


Fig. 7

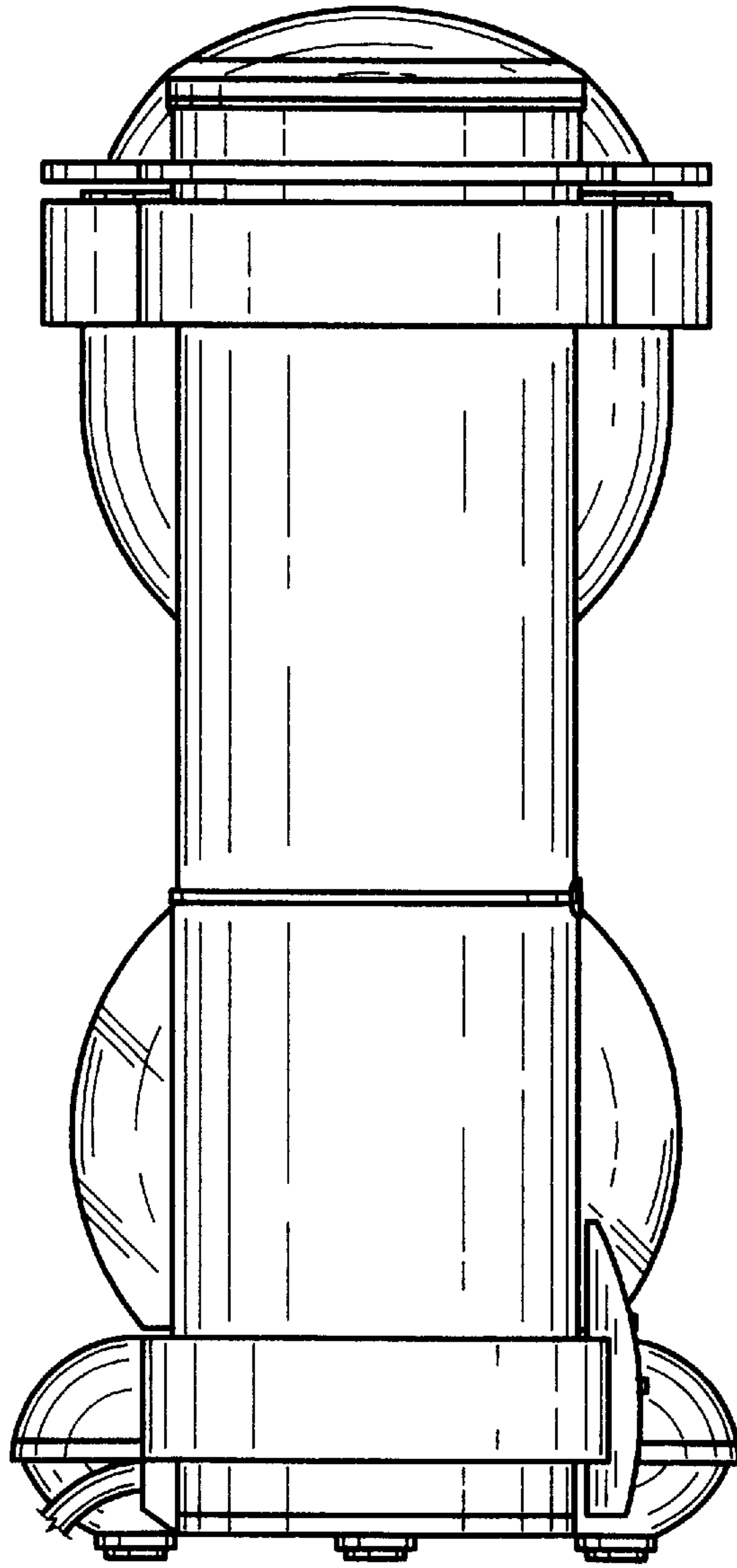


Fig.3

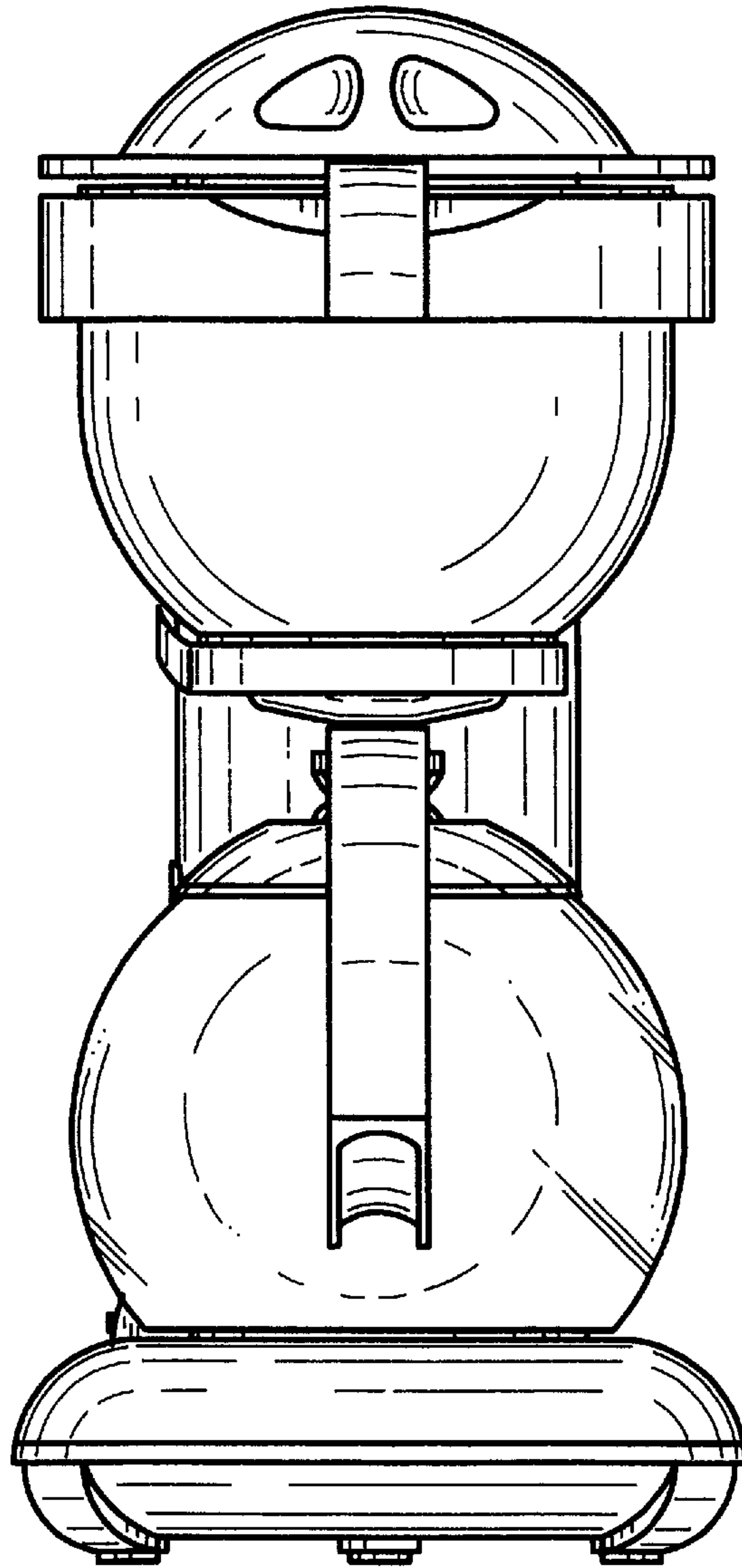


Fig.4

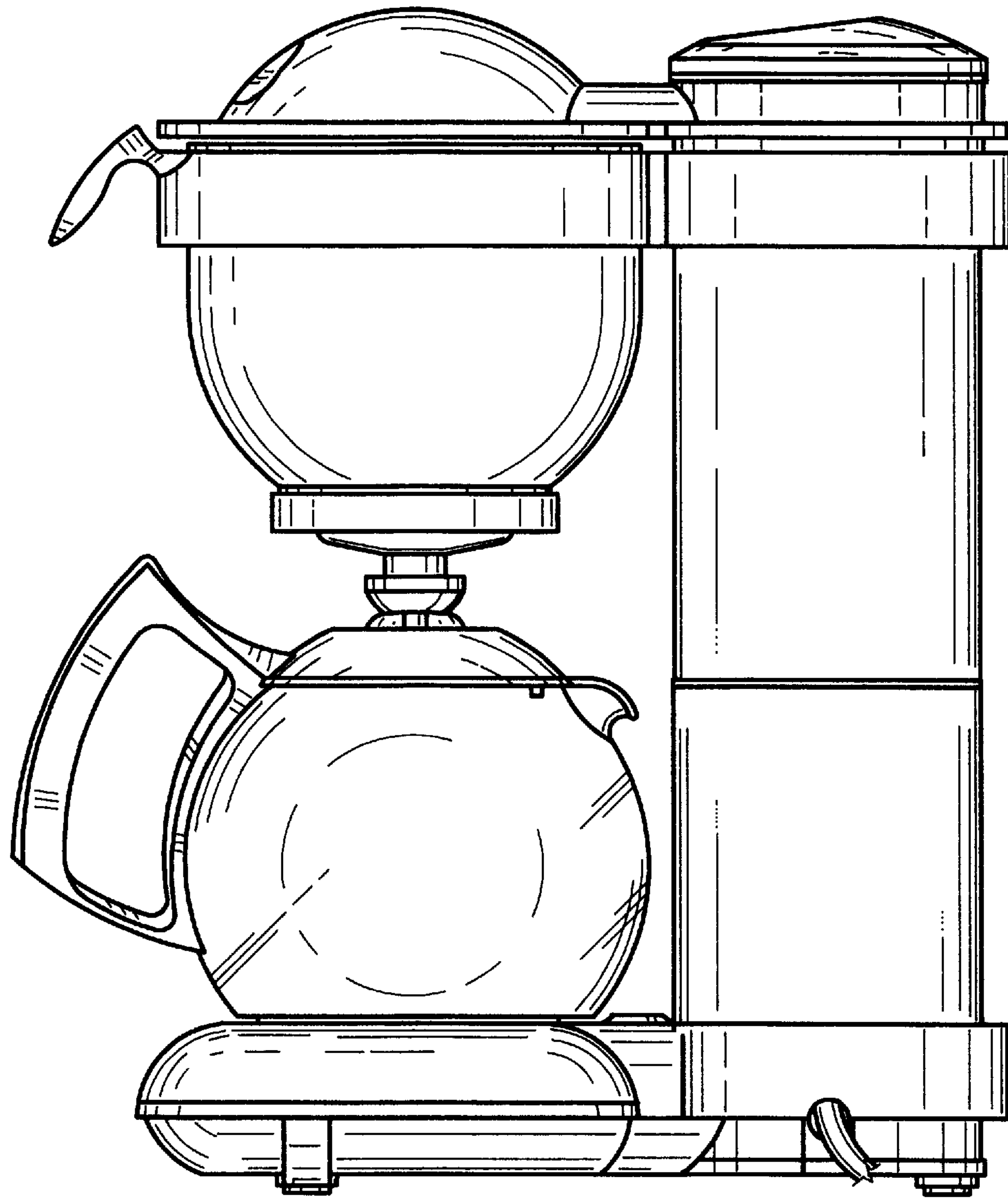


Fig.5

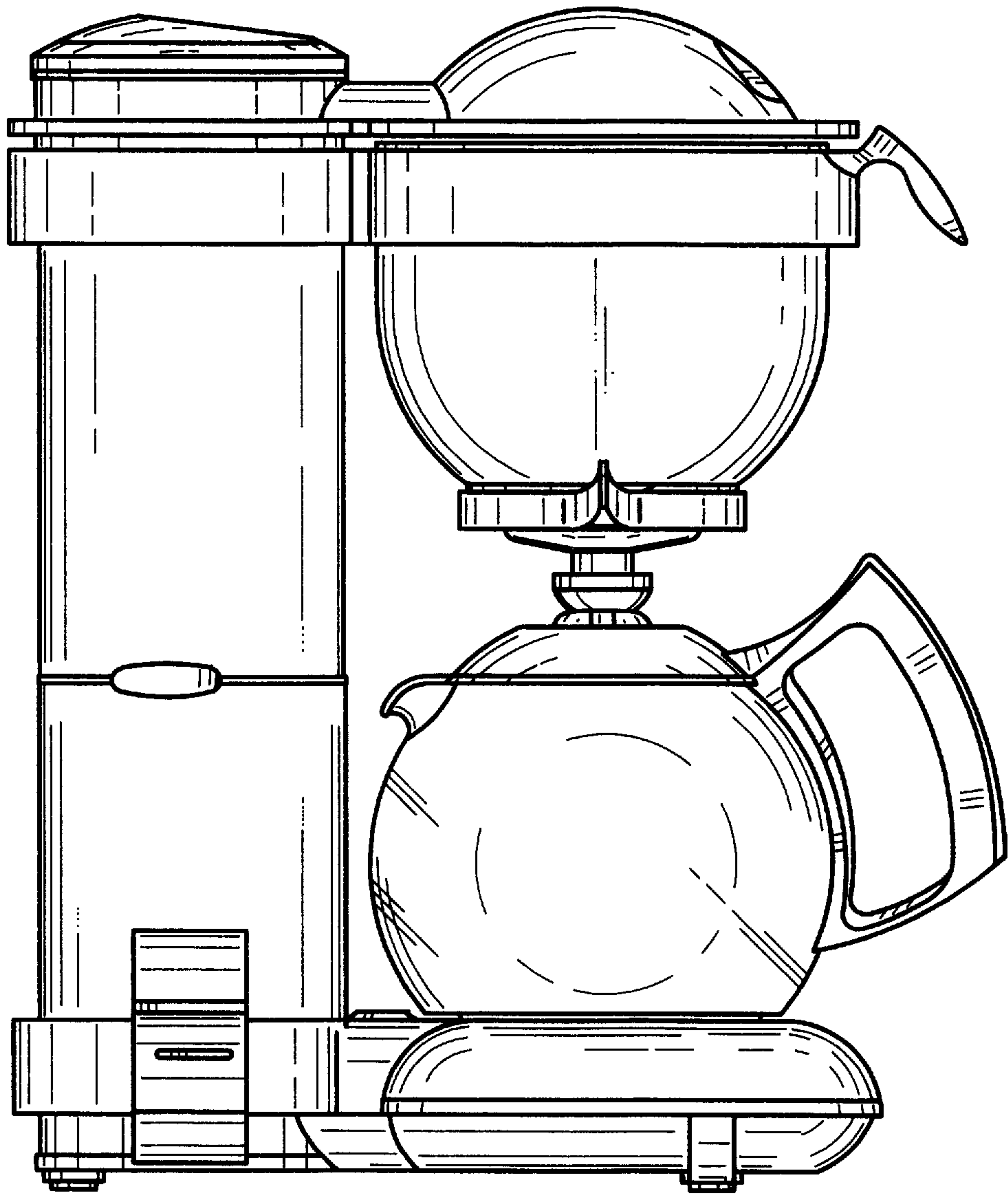


Fig.6