



US00D401106S

# United States Patent [19] Valentinitsch

[11] Patent Number: Des. 401,106

[45] Date of Patent: \*\*Nov. 17, 1998

[54] SIPHON BOTTLE

[75] Inventor: Dietmar Valentinitsch, Vienna, Austria

[73] Assignee: Linde Aktiengesellschaft, Wiesbaden, Germany

[\*\*] Term: 14 Years

[21] Appl. No.: 72,150

[22] Filed: May 30, 1997

### Related U.S. Application Data

[62] Division of Ser. No. 45,654, Oct. 25, 1995, Pat. No. 5,385, 745.

### Foreign Application Priority Data

Apr. 25, 1995 [DE] Germany ..... 95 03 639.3

[51] LOC (6) Cl. .... 07-01

[52] U.S. Cl. .... D7/300.1; D7/310

[58] Field of Search ..... D7/534, 300.1, D7/629, 301, 511, 510, 506, 507, 514, 515, 533, 536; D9/500, 503, 447, 537, 540, 545, 520, 556; 222/465.1; 220/708, 709, 705, 707; 215/389

### References Cited

#### U.S. PATENT DOCUMENTS

- D. 41,635 8/1911 Brown ..... D9/556
- D. 126,185 4/1941 Gebhart et al. .... D7/300.1 X
- D. 162,556 4/1951 Werry ..... D7/300.1 X
- D. 176,986 2/1956 Mc Phee ..... D9/447 X
- D. 182,556 4/1958 Werry ..... D7/300.1 X
- D. 185,734 7/1959 Jones ..... D7/447
- D. 185,754 7/1959 Jones ..... D9/447
- D. 225,210 11/1972 Becker ..... D9/500
- D. 234,251 2/1975 Edwards ..... D9/500
- D. 265,043 6/1982 Wei ..... D7/300.1
- D. 286,367 10/1986 Murphy ..... D7/300.1 X
- D. 304,316 10/1989 Humphrey et al. .... D7/510

- D. 331,365 12/1992 Davis ..... D7/300.1 X
- D. 339,291 9/1993 Leigner ..... D9/520
- D. 358,296 5/1995 Garneau ..... D7/511 X
- D. 361,922 9/1995 Van Dyk ..... D7/510
- D. 364,316 11/1995 Humphrey et al. .... D7/510
- D. 366,809 2/1996 Green ..... D7/511 X
- D. 367,206 2/1996 Green ..... D7/511 X
- D. 367,706 3/1996 Green ..... D7/511 X
- 2,092,596 9/1937 Ward ..... D7/300.1 X
- 2,928,576 3/1960 Kochner ..... D7/300.1 X
- 4,441,640 4/1984 Lohick ..... 215/389 X
- 4,448,316 5/1984 Hiroshige ..... 220/708 X
- 4,852,762 8/1989 Chou Sheng ..... 220/709
- 5,273,172 12/1993 Rossbach et al. .... 220/708 X
- 5,337,918 8/1994 Wang ..... 220/709 X
- 5,518,142 5/1996 Lin ..... 220/709 X

Primary Examiner—M. N. Pandozzi  
Attorney, Agent, or Firm—Evenson, McKeown, Edwards & Lenahan, P.L.L.C.

### [57] CLAIM

The ornamental design for a siphon bottle, as shown and described.

### DESCRIPTION

FIG. 1 is a perspective view from the rear-right side of a siphon bottle according to my novel design;  
 FIG. 2 is a perspective view from the front-left side of a siphon bottle according to my novel design;  
 FIG. 3 is a front view of a siphon bottle according to my novel design;  
 FIG. 4 is a rear view of a siphon bottle according to my novel design;  
 FIG. 5 is a left side view of a siphon bottle according to my novel design; and,  
 FIG. 6 is a top plan view of a siphon bottle according to my novel design;  
 wherein the right side view is a mirror image of the left side view, and the bottom view is plain and unornamented.

1 Claim, 2 Drawing Sheets

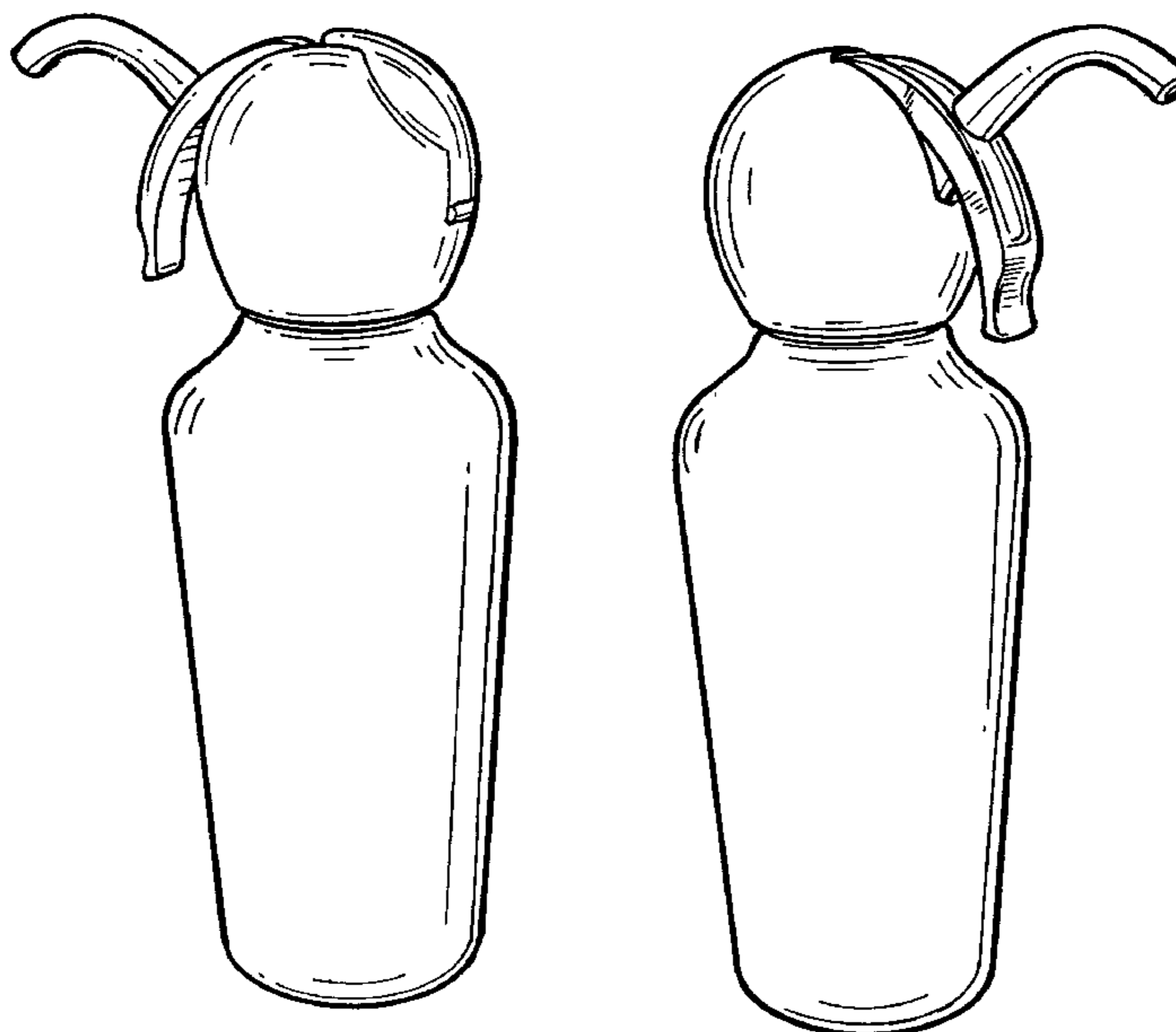




FIG. 1

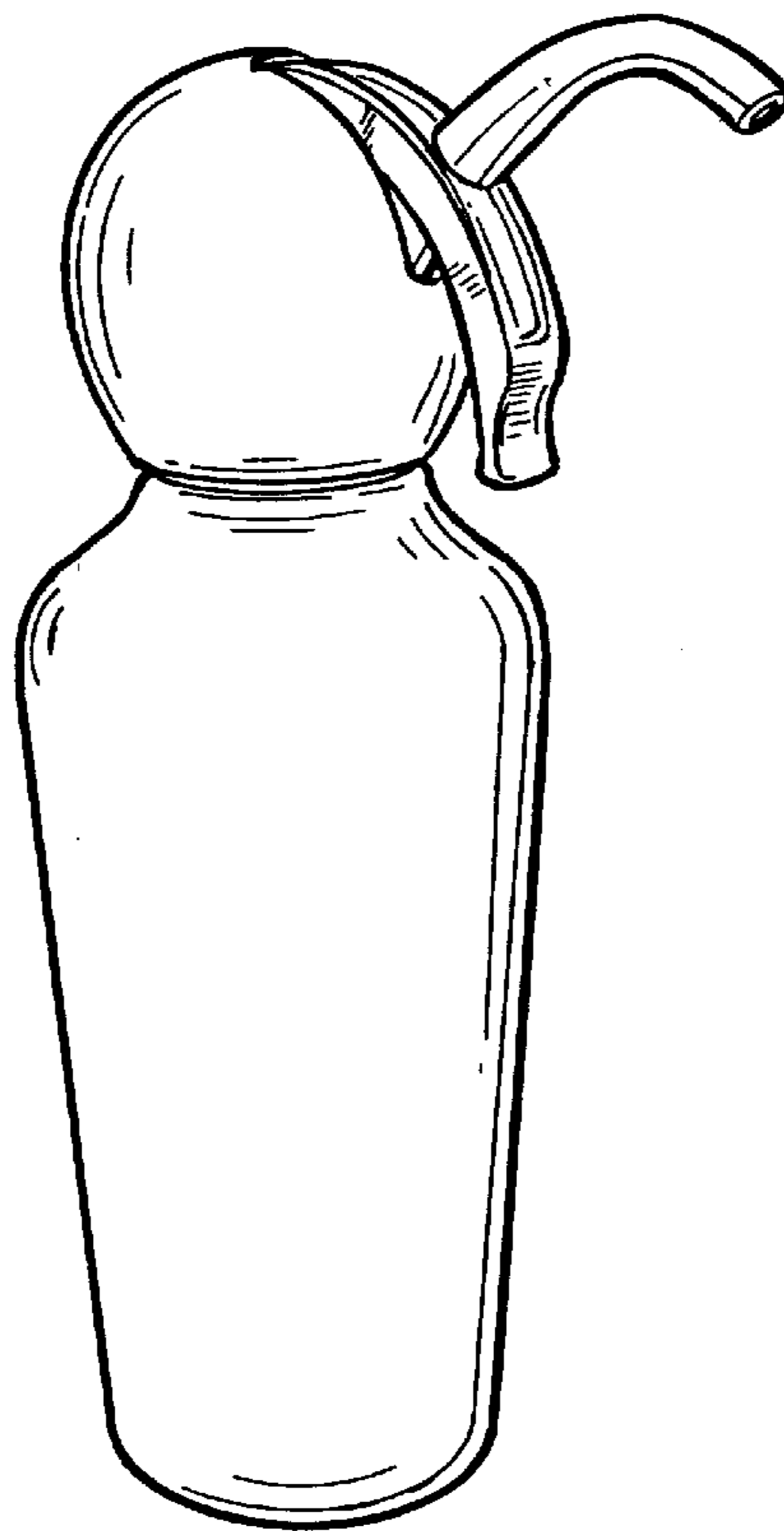


FIG. 2

FIG. 3

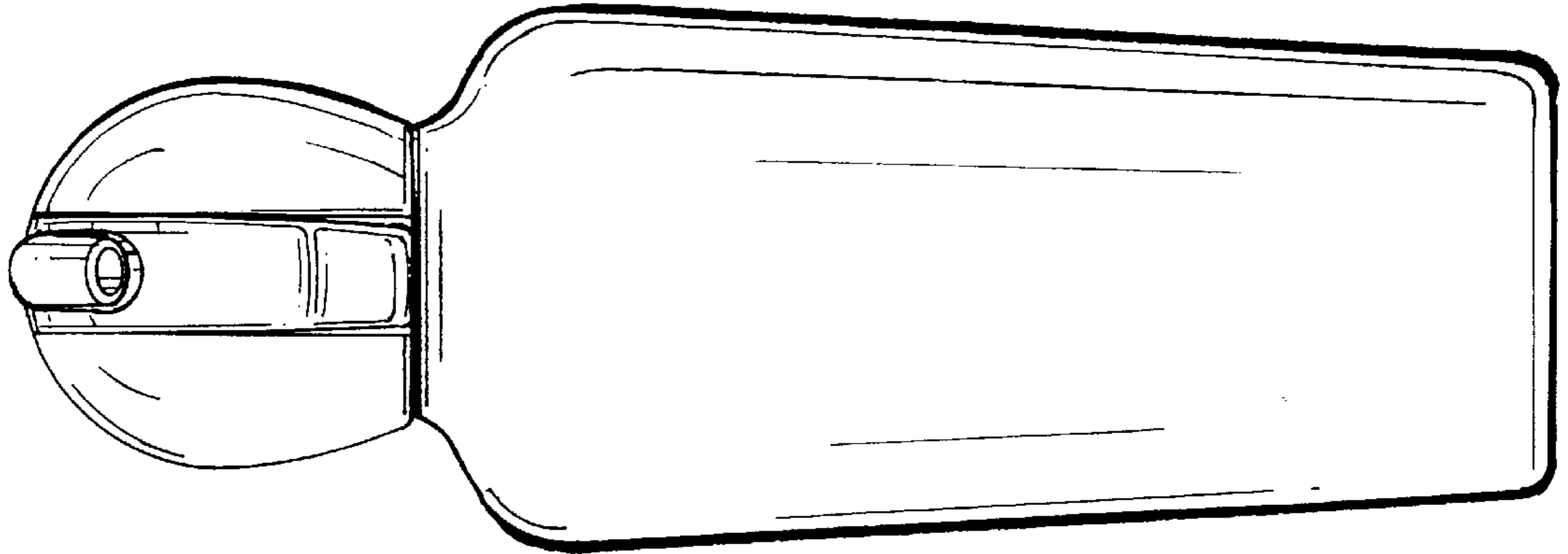


FIG. 4

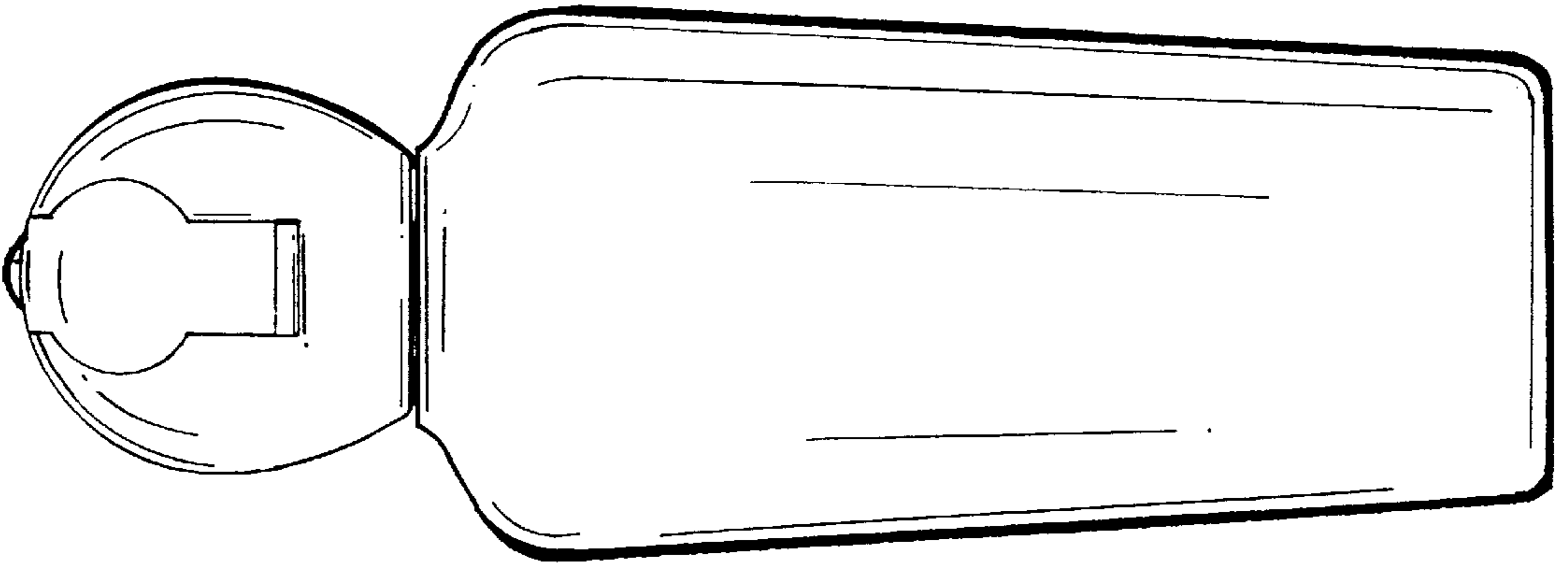


FIG. 5

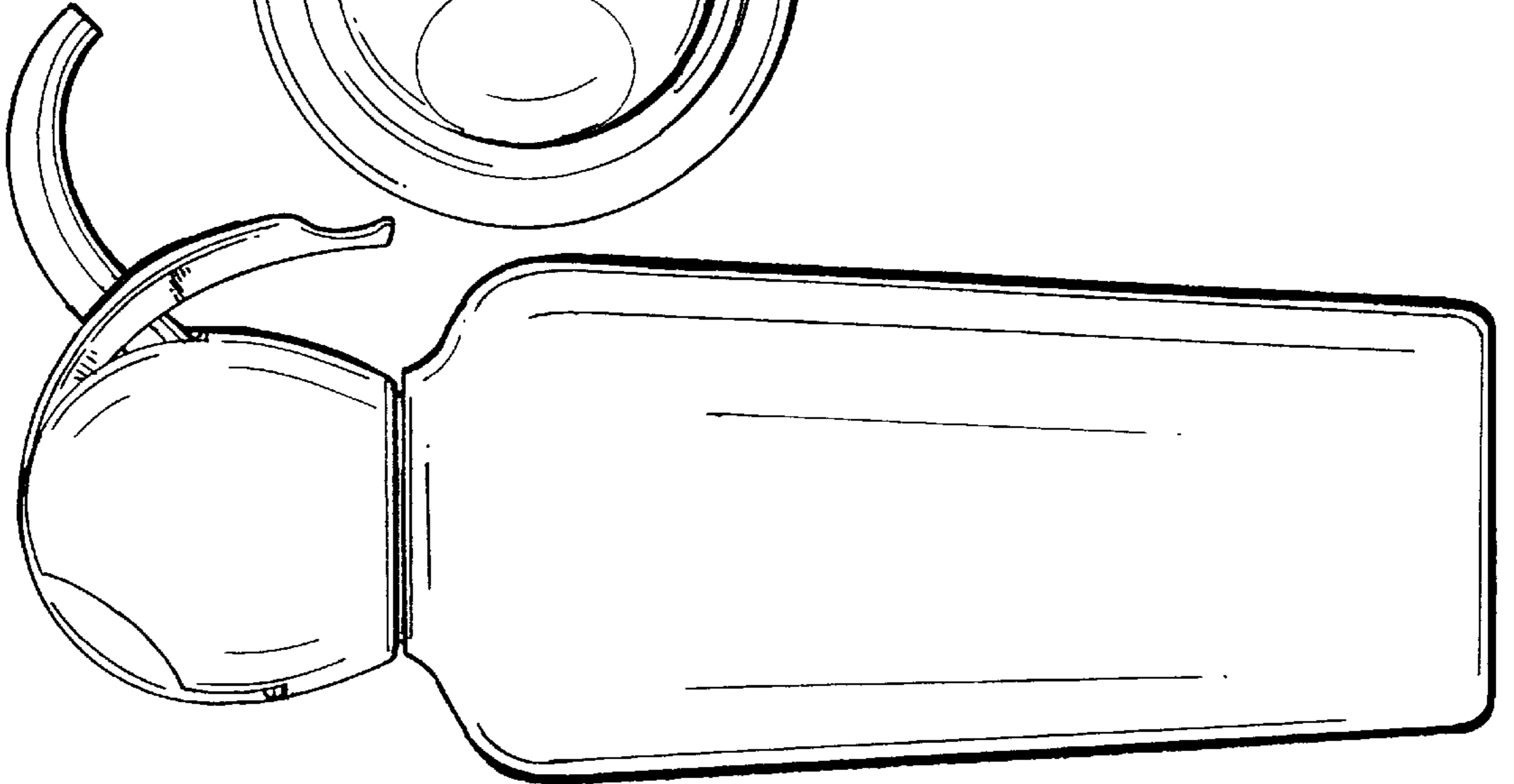


FIG. 6

