



US00D401086S

United States Patent [19]
Hellwig et al.

[11] **Patent Number: Des. 401,086**
[45] **Date of Patent: **Nov. 17, 1998**

[54] **CONFERENCE TABLE**

[75] Inventors: **John Hellwig**, Toronto; **Steve Verbeek**,
Aurora; **Genadij Makarewicz**,
Brampton, all of Canada

[73] Assignee: **Teknion Furniture Systems**,
Downsiew, Canada

[**] Term: **14 Years**

[21] Appl. No.: **76,057**

[22] Filed: **Sep. 5, 1997**

[51] **LOC (6) Cl.** **06-03**

[52] **U.S. Cl.** **D6/482; D6/480; D6/429**

[58] **Field of Search** **D6/480-489, 511,**
D6/495, 496, 429; 108/153, 155, 156, 157,
161; 248/188, 188.1

[56] **References Cited**

U.S. PATENT DOCUMENTS

D. 133,624 9/1942 Hollander D6/480

D. 202,046 8/1965 Zierhat D6/429
D. 339,487 9/1993 Rizzi D6/486
D. 340,598 10/1993 Castiglioni et al. D6/480
D. 352,409 11/1994 Hosoe D6/482

Primary Examiner—Janice E. Seeger

[57] **CLAIM**

The ornamental design for a conference table, as shown and described.

DESCRIPTION

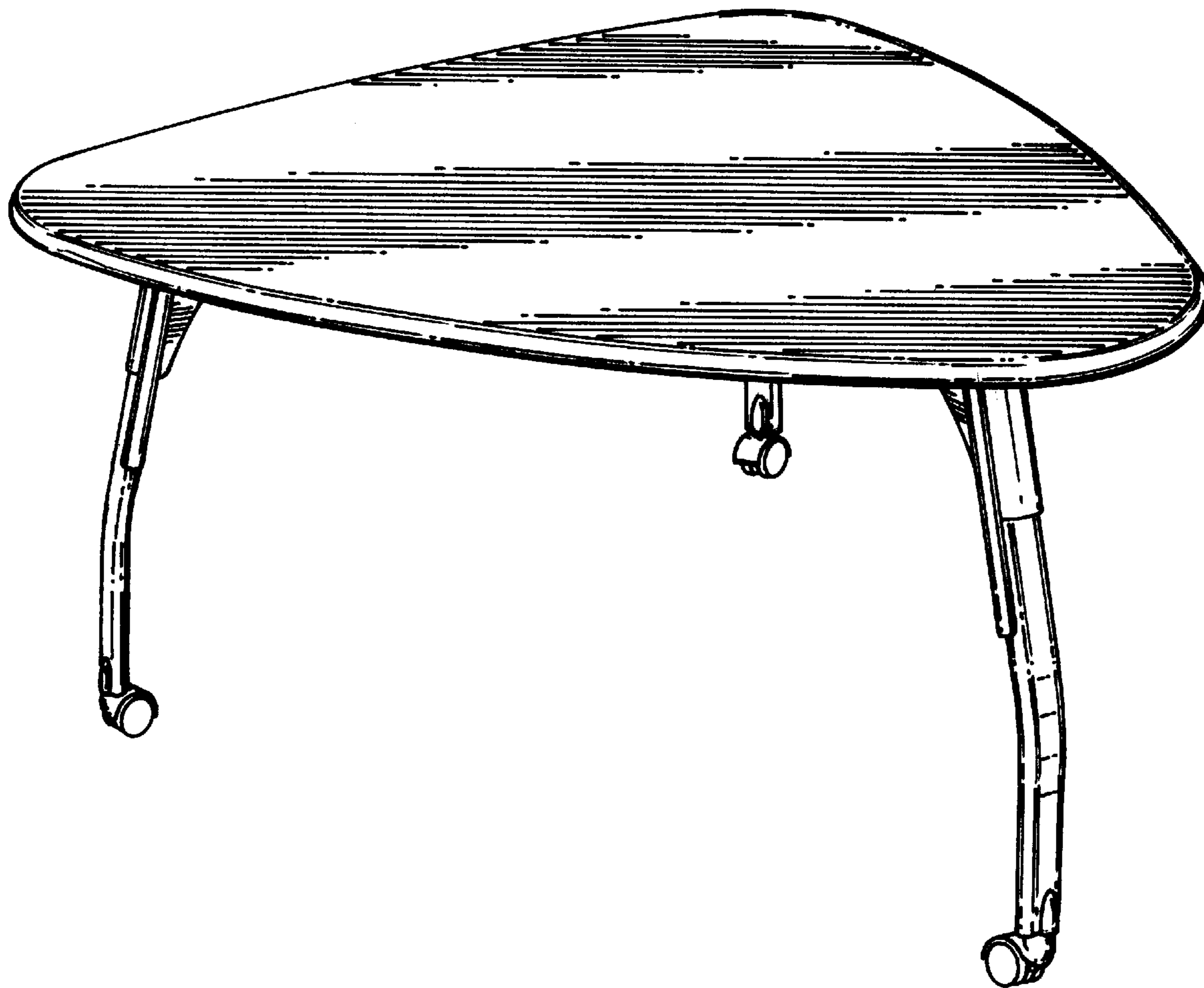
FIG. 1 is a perspective view of the conference table showing our new design;

FIG. 2 is a top view of the conference table of FIG. 1;

FIG. 3 is an end view of the conference table of FIG. 1 the opposite end being identical thereto; and,

FIG. 4 is a side view of the conference table of FIG. 1 the opposite side being identical thereto.

1 Claim, 2 Drawing Sheets



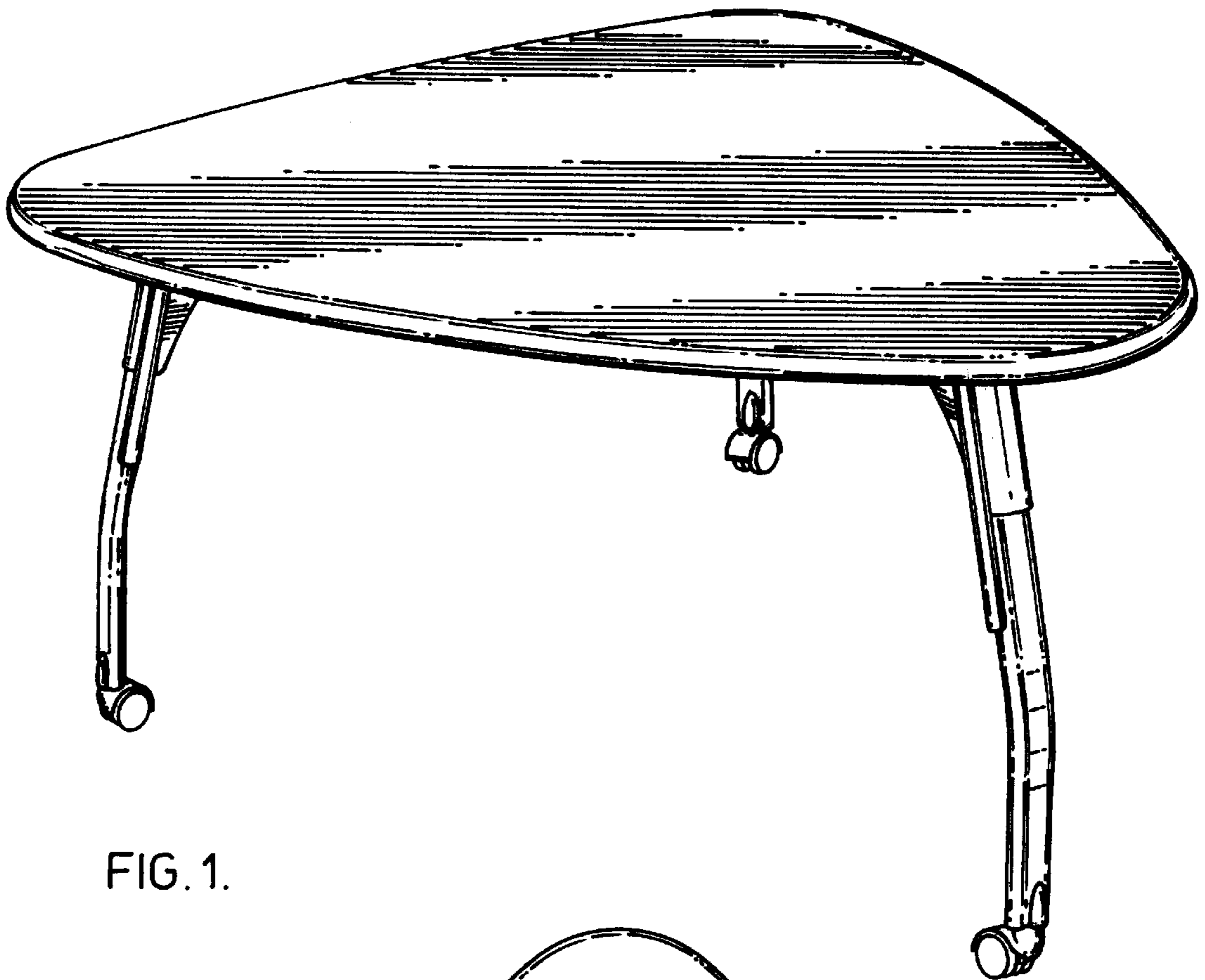


FIG. 1.

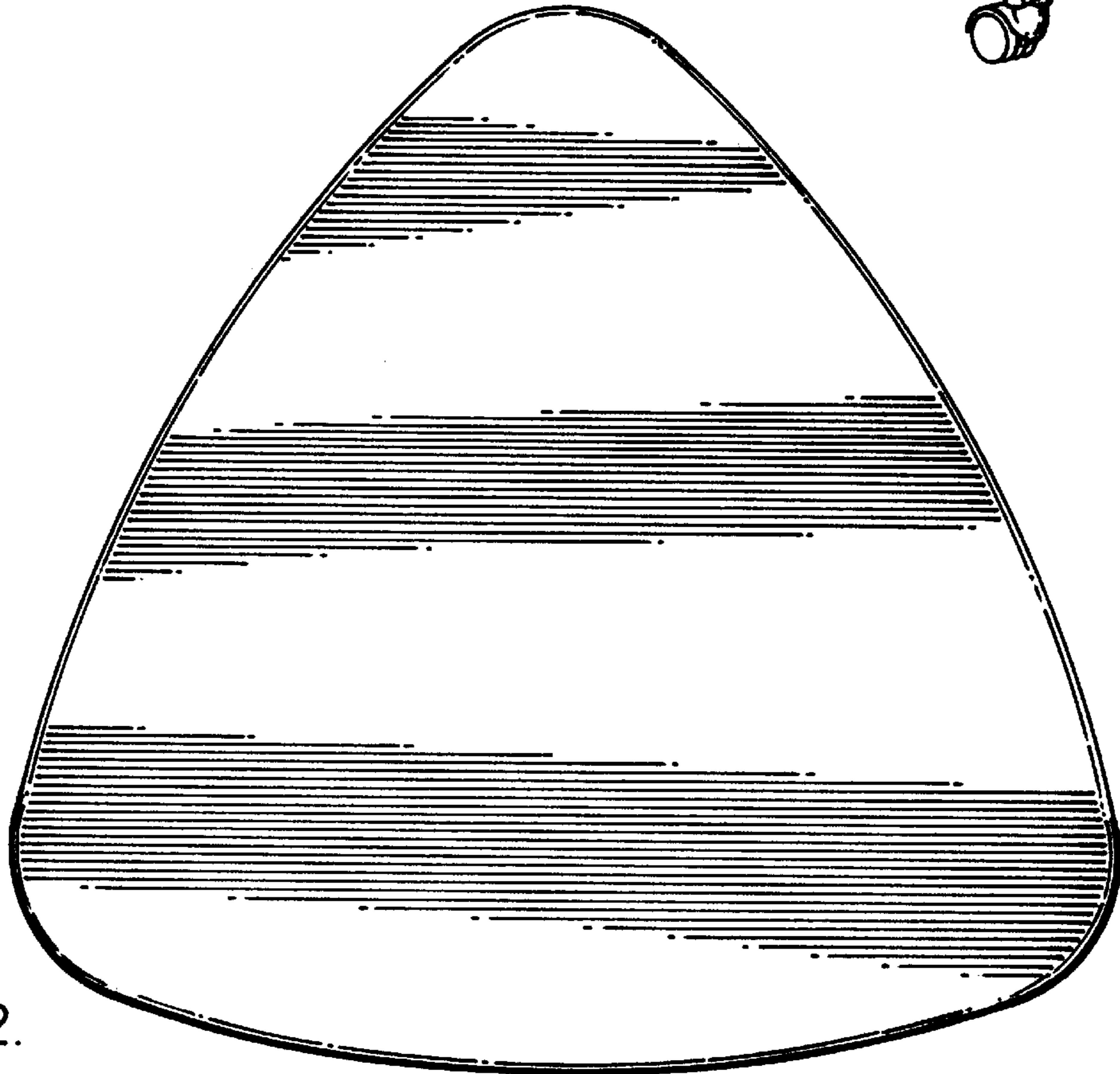


FIG. 2.

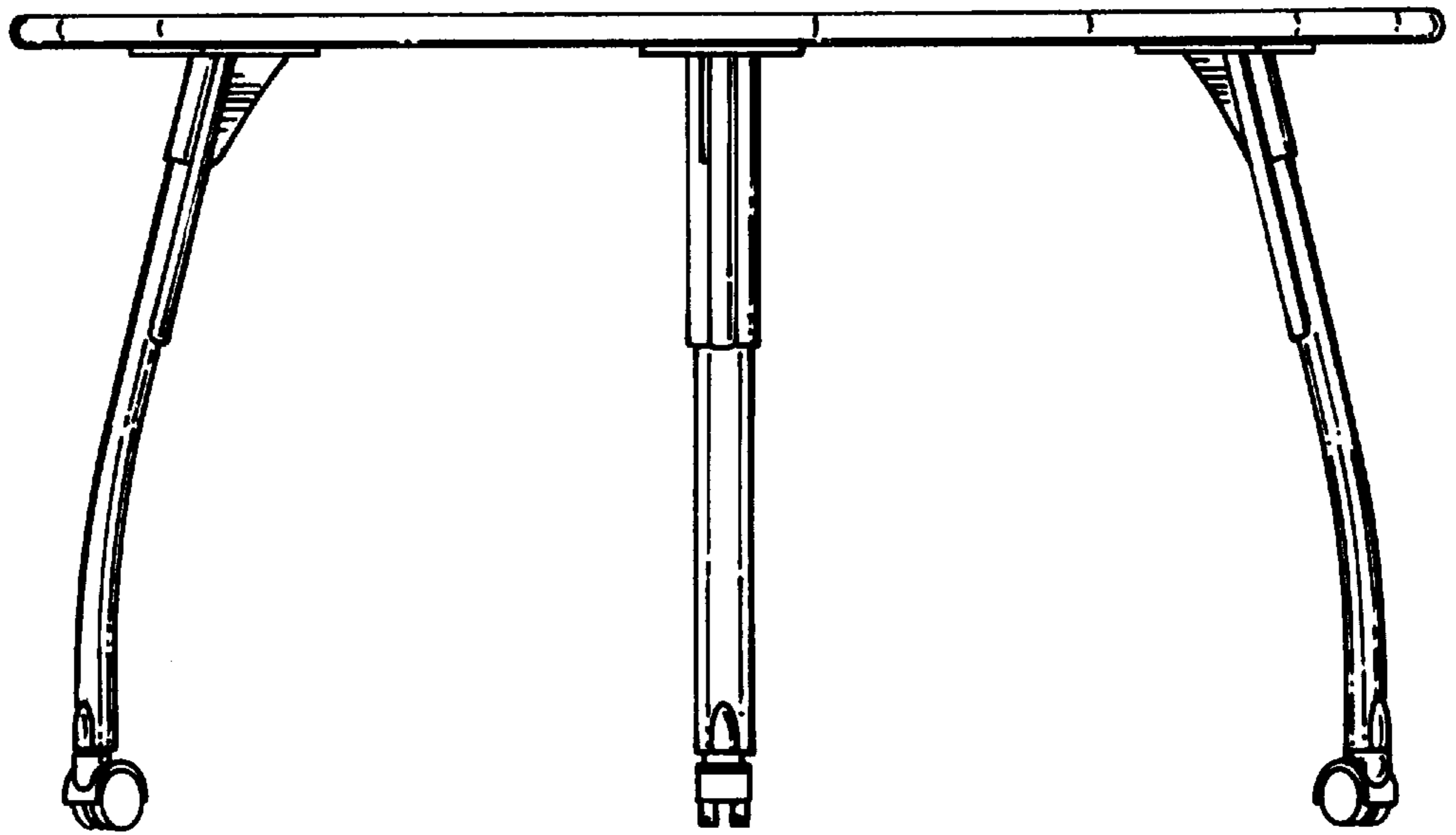


FIG. 3.

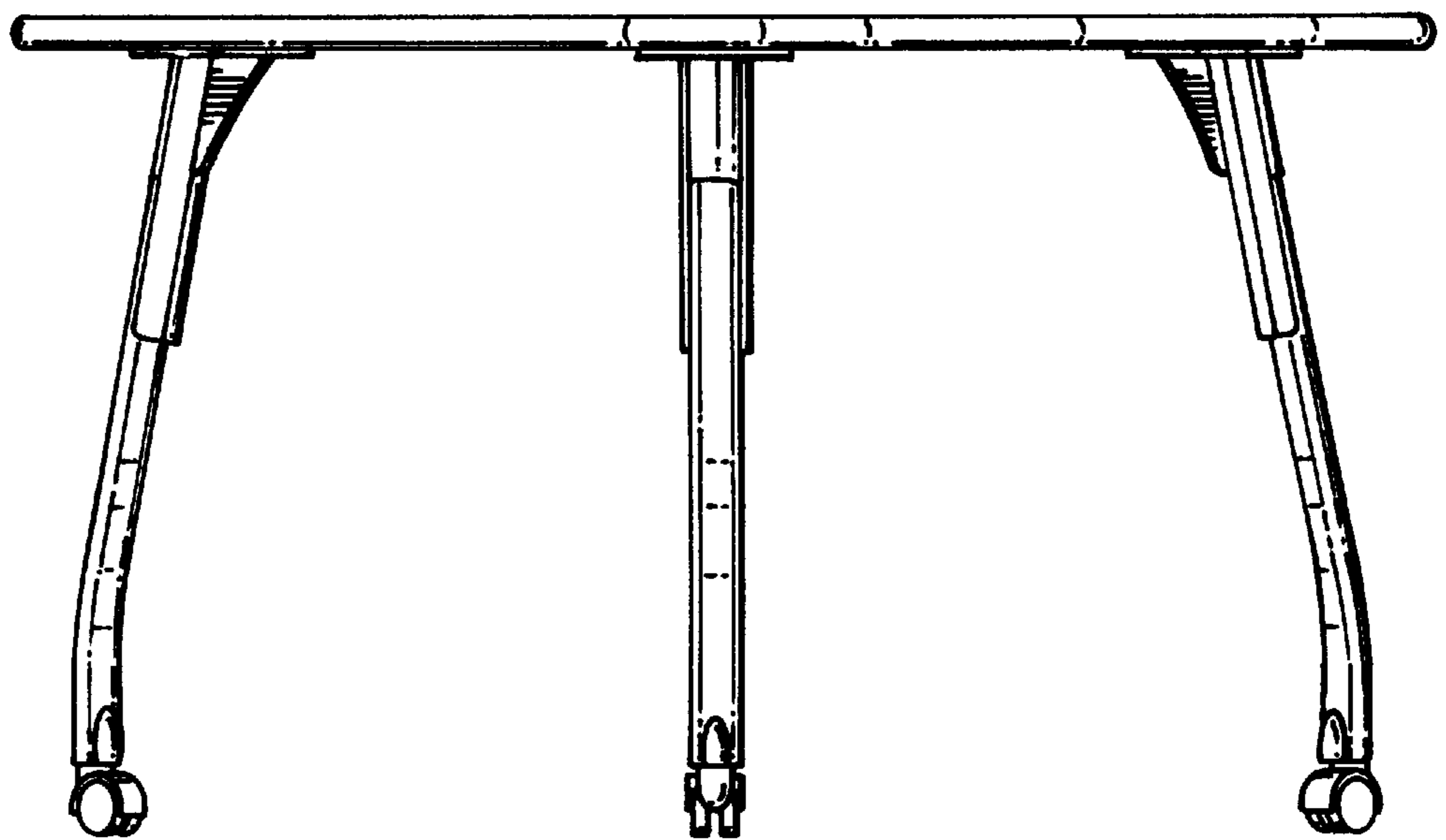


FIG. 4.