



US00D401084S

# United States Patent [19] Martin

[11] **Patent Number: Des. 401,084**

[45] **Date of Patent: \*\*Nov. 17, 1998**

[54] **STAND FOR ELECTRONIC EQUIPMENT**

[75] Inventor: **Richard Martin**, Mirabel, Canada

[73] Assignee: **Belois Ltd**, Laval, Canada

[\*\*] Term: **14 Years**

[21] Appl. No.: **82,619**

[22] Filed: **Jan. 27, 1998**

### [30] Foreign Application Priority Data

Jan. 9, 1998 [CA] Canada ..... 1998-0002

[51] **LOC (6) Cl.** ..... **06-04**

[52] **U.S. Cl.** ..... **D6/474**

[58] **Field of Search** ..... D6/477-479, 474,  
D6/628, 629, 630, 429; 211/49.1, 134,  
135, 153, 186-188, 40; 108/90-93, 59,  
60, 96, 101, 193; 248/176.1, 146, 150

### [56] References Cited

#### U.S. PATENT DOCUMENTS

D. 262,076 12/1981 Pracon ..... D6/474 X  
D. 284,244 6/1986 Berry, Jr. .... D6/474

D. 287,444 12/1986 Norling et al. .... D6/474  
D. 298,288 11/1988 Oto ..... D6/474  
D. 318,280 7/1991 Sumrell et al. .... D6/477 X  
D. 346,058 4/1994 Samsø ..... D6/474  
D. 350,659 9/1994 Di Tamasso ..... D6/479  
D. 361,454 8/1995 Compton et al. .... D6/474  
5,129,525 7/1992 Maynard, Jr. .... 221/205

*Primary Examiner*—James Gandy  
*Assistant Examiner*—Linda Brooks  
*Attorney, Agent, or Firm*—Robic

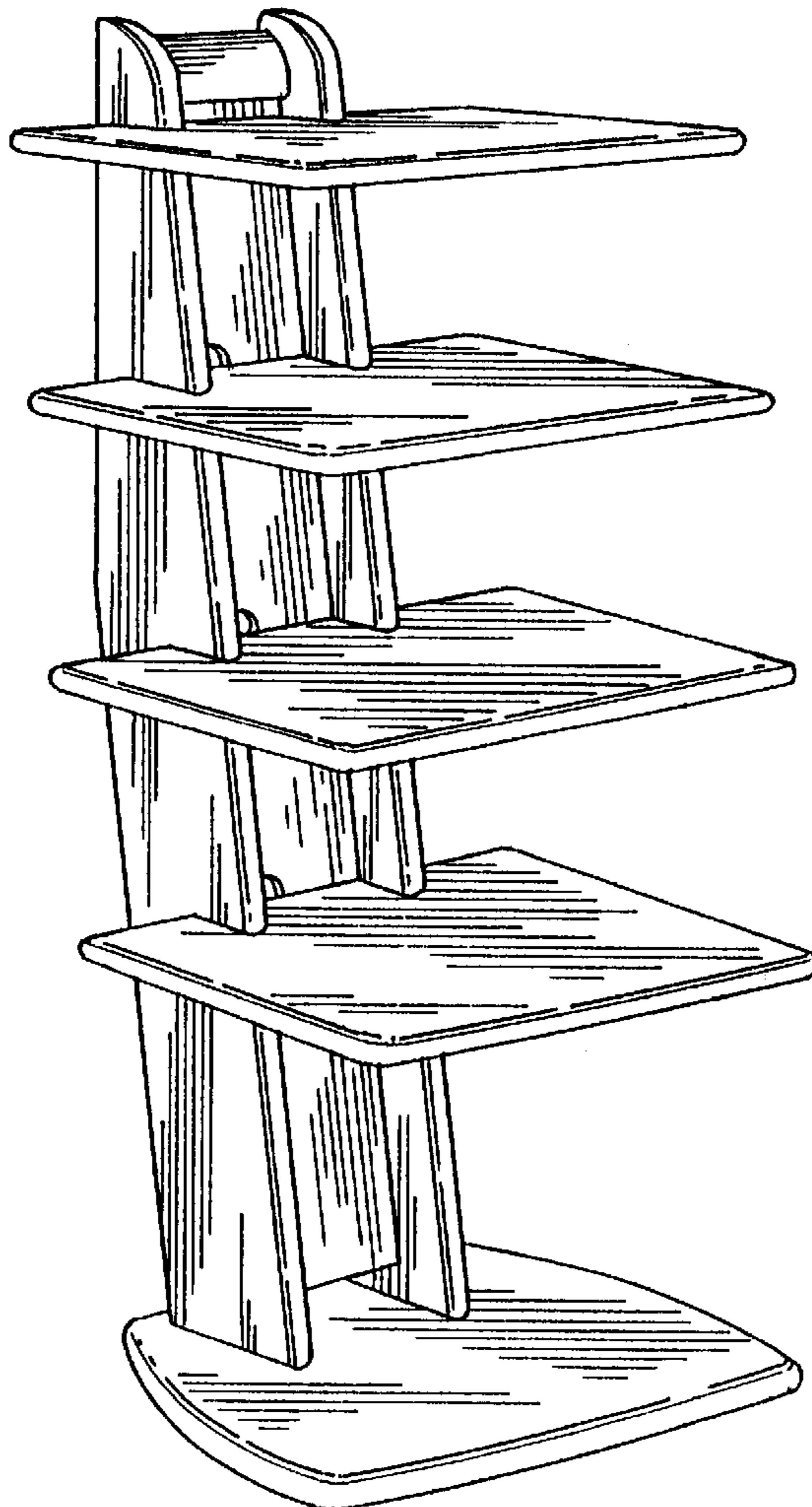
### [57] CLAIM

The ornamental design for a stand for electronic equipment, as shown and described.

### DESCRIPTION

FIG. 1 is a front perspective view of a stand for electronic equipment showing my design;  
FIG. 2 is a front elevational thereof;  
FIG. 3 is a rear elevational view thereof;  
FIG. 4 is a left elevational thereof, the right side elevational view being a mirror copy of this view; and,  
FIG. 5 is a top plan view thereof.

**1 Claim, 4 Drawing Sheets**



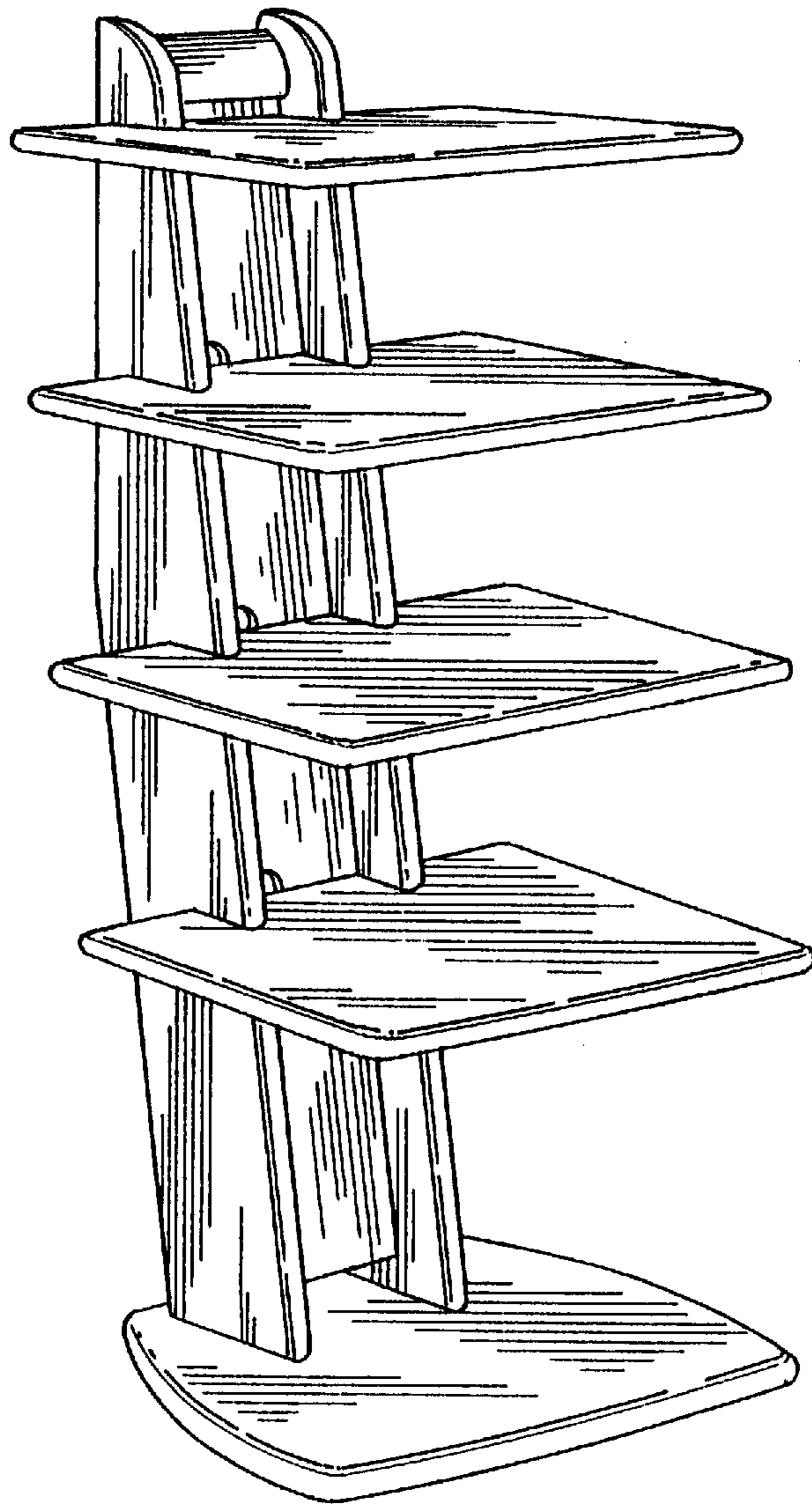


FIG. 1

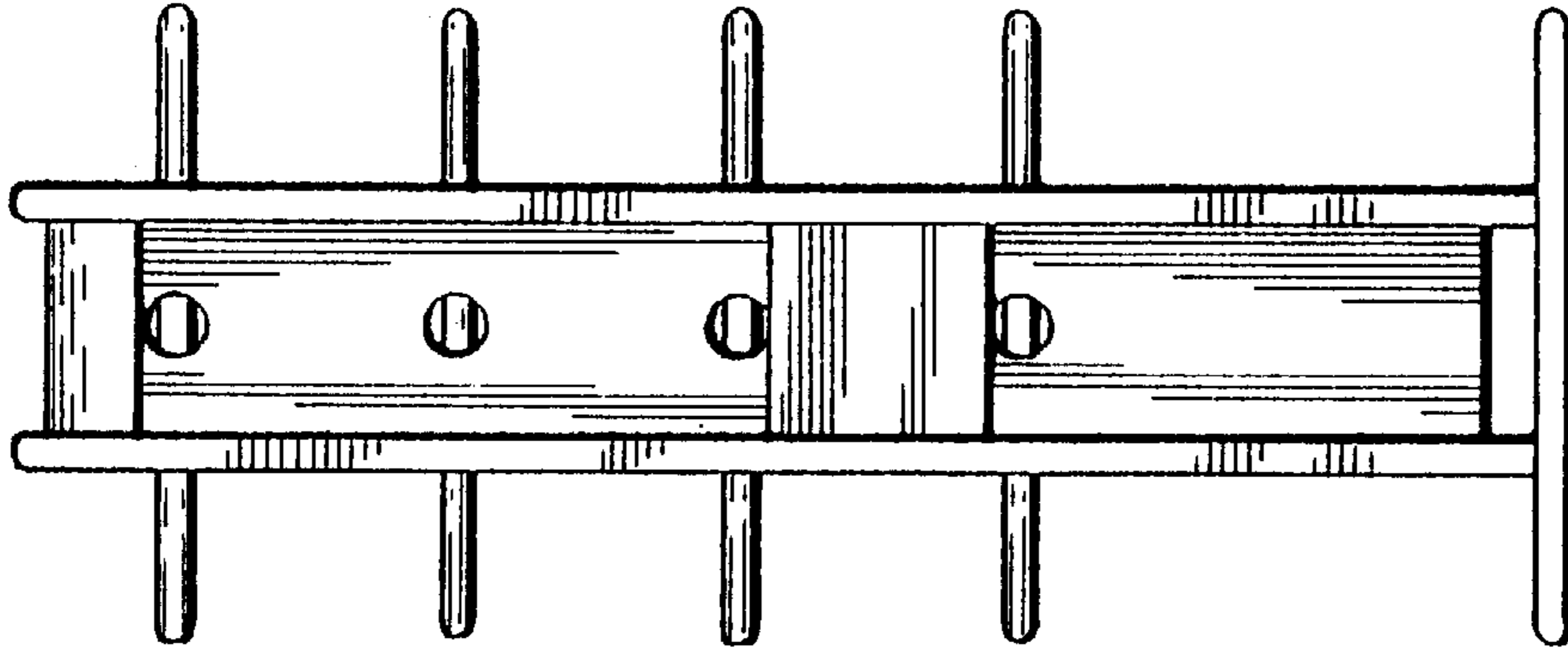


FIG. 3

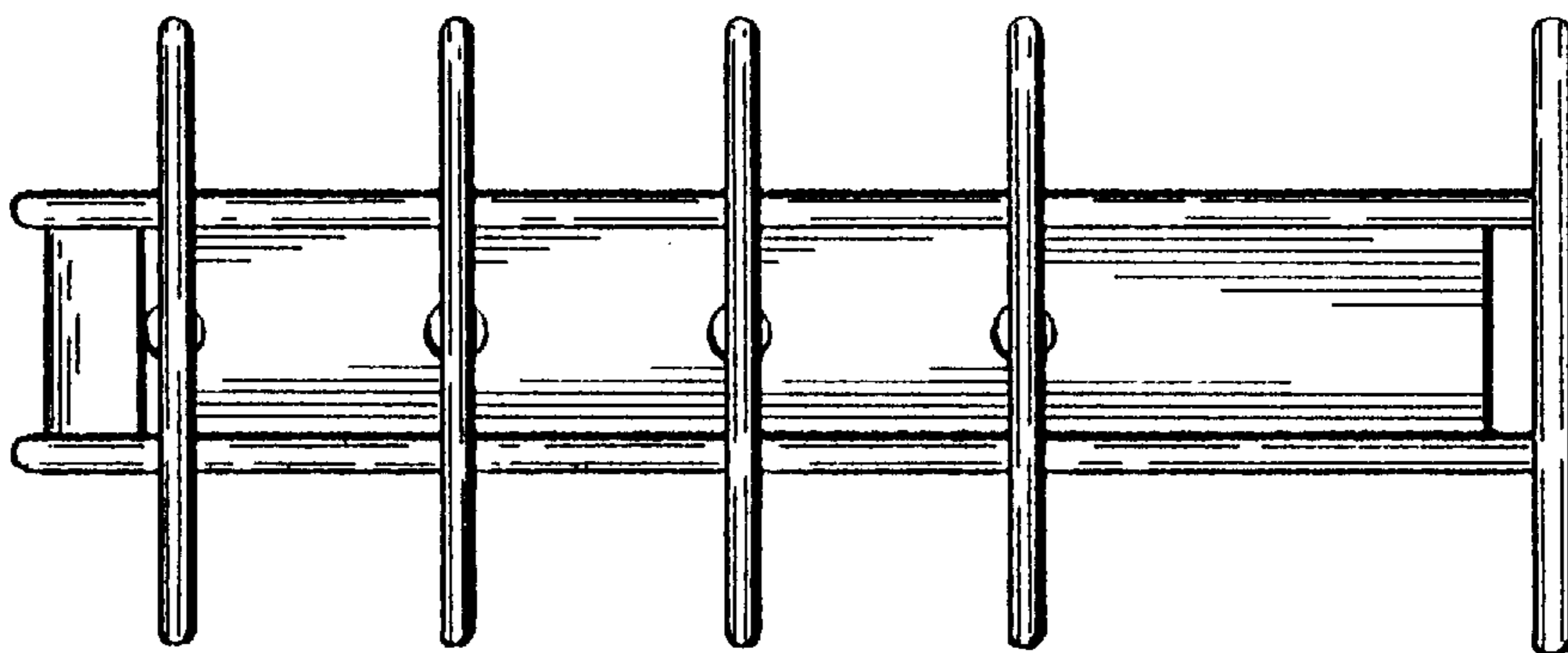


FIG. 2

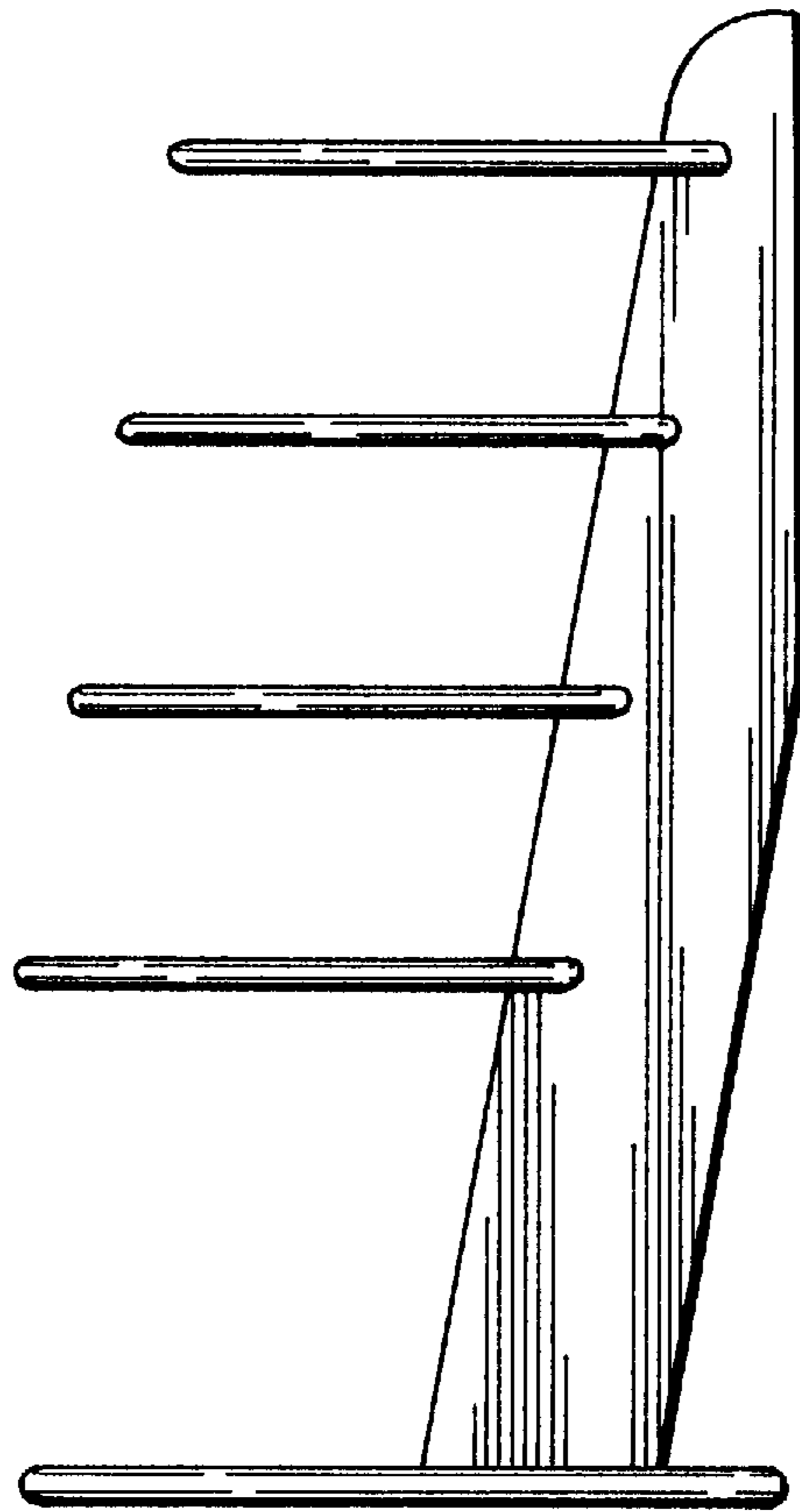


FIG. 4

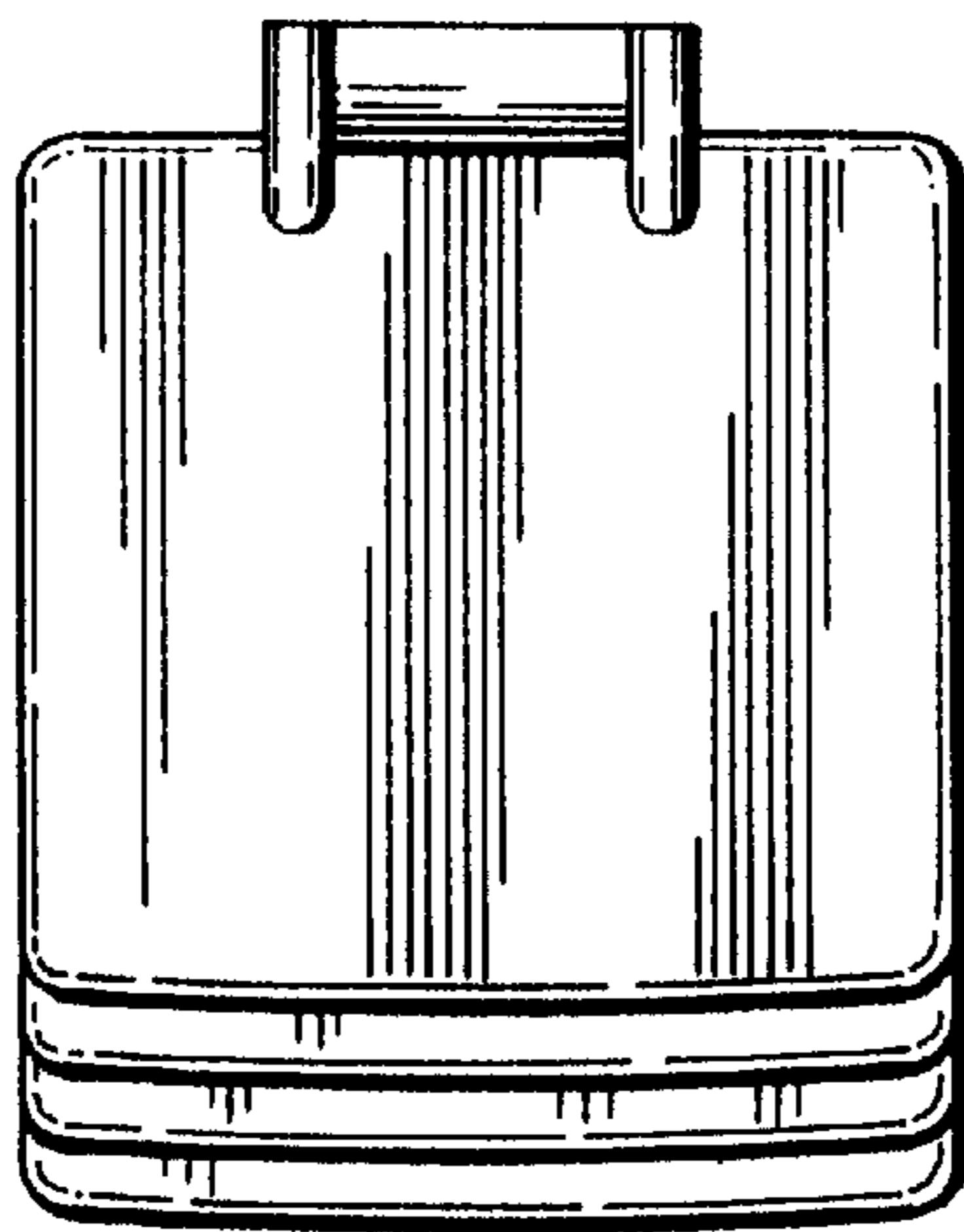


FIG. 5