



US00D401079S

# United States Patent [19] Clarke

[11] **Patent Number: Des. 401,079**

[45] **Date of Patent: \*\*Nov. 17, 1998**

[54] **HAT STAND**

3,501,072 3/1970 Kovenor ..... 248/165 X

[76] Inventor: **Lillian E. Clarke**, 970 Park Ave., New York, N.Y. 10028

*Primary Examiner*—James Gandy  
*Assistant Examiner*—Linda Brooks  
*Attorney, Agent, or Firm*—Notaro & Michalos PC

[\*\*] Term: **14 Years**

[21] Appl. No.: **78,862**

[22] Filed: **Nov. 5, 1997**

[57] **CLAIM**

The ornamental design for a hat stand, as shown and described.

[51] **LOC (6) Cl. .... 06-04**

**DESCRIPTION**

[52] **U.S. Cl. .... D6/415; D6/455**

FIG. 1 is a front elevational view of a hat stand showing my new design therefore, the right, left and rear elevational views being identical thereto;

[58] **Field of Search** ..... D6/466, 455, 457, D6/458, 449, 411, 415; D2/892; 211/30, 33; 248/127, 146, 152, 174, 176.1; 223/12, 15, 24-26; 206/8, 9

FIG. 2 is a top plan view thereof;

FIG. 3 is a bottom plan view thereof;

[56] **References Cited**

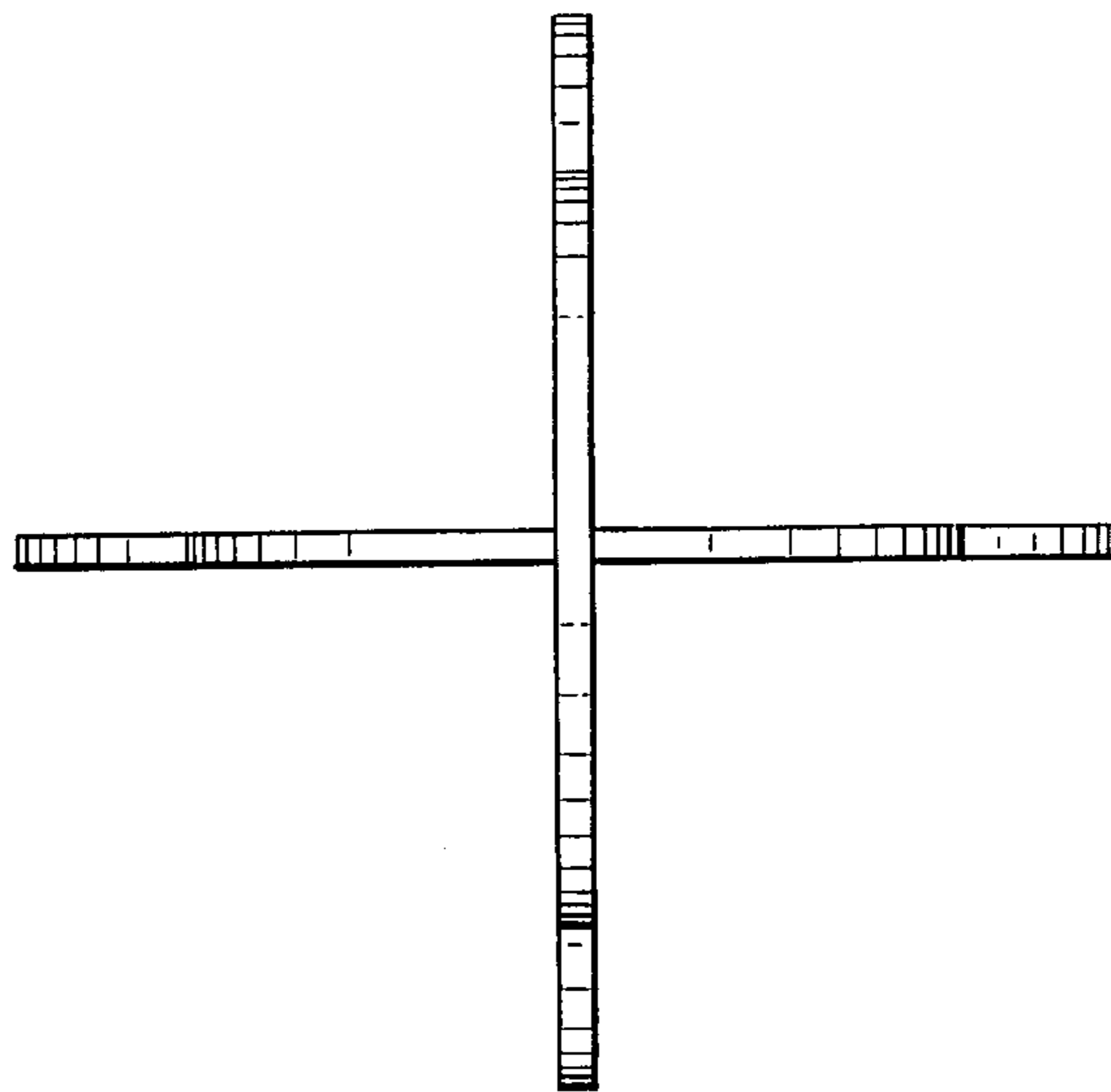
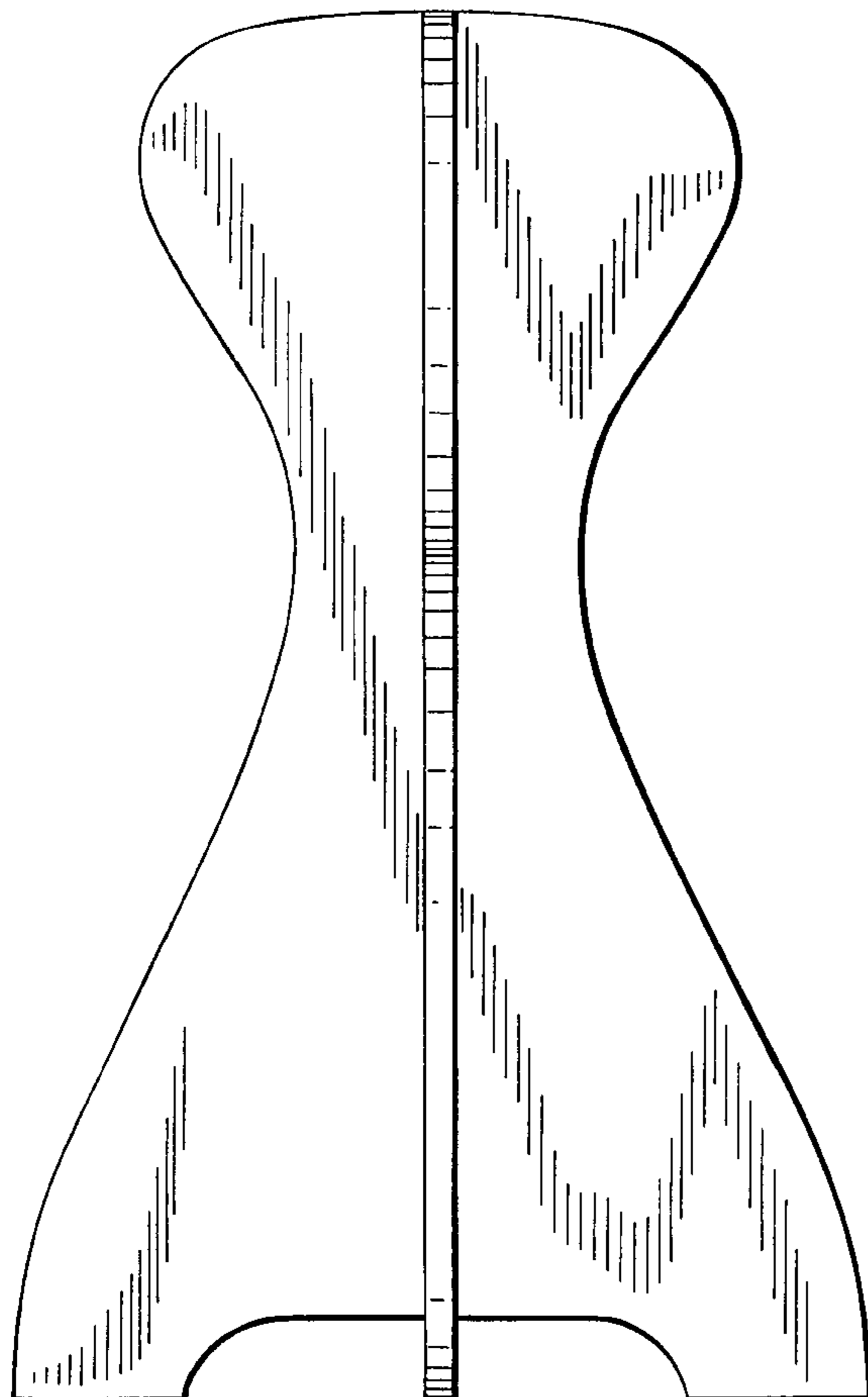
**U.S. PATENT DOCUMENTS**

D. 77,371	1/1929	Sawyer	.....	D6/415
D. 125,621	3/1941	Hewitt	.....	D6/415
D. 390,039	2/1998	Rheinish et al.	.....	D6/411
872,929	12/1907	Goerlinger	.....	211/33
2,456,964	12/1948	Ledure	.....	211/33
2,662,713	12/1953	Johnson	.....	248/176.1

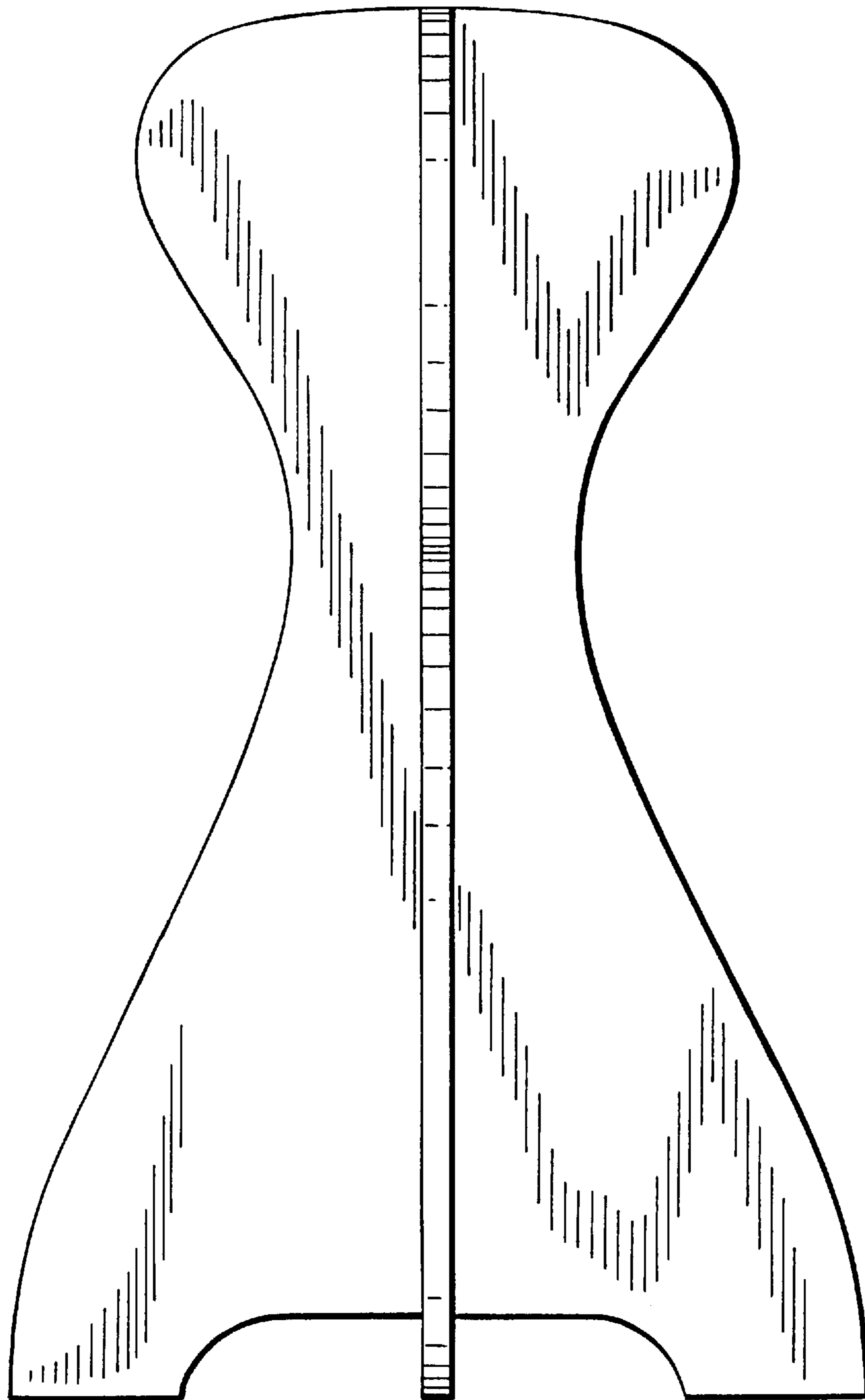
FIG. 4 is a front elevational view of a hat stand showing a second embodiment of my invention, the only difference between the first and second embodiments being the reflective surface in the second embodiment, the left, right and rear elevational views being identical thereto;

FIG. 5 is a top plan view of the embodiment of FIG. 4; and, FIG. 6 is a bottom plan view of the embodiment of FIG. 4.

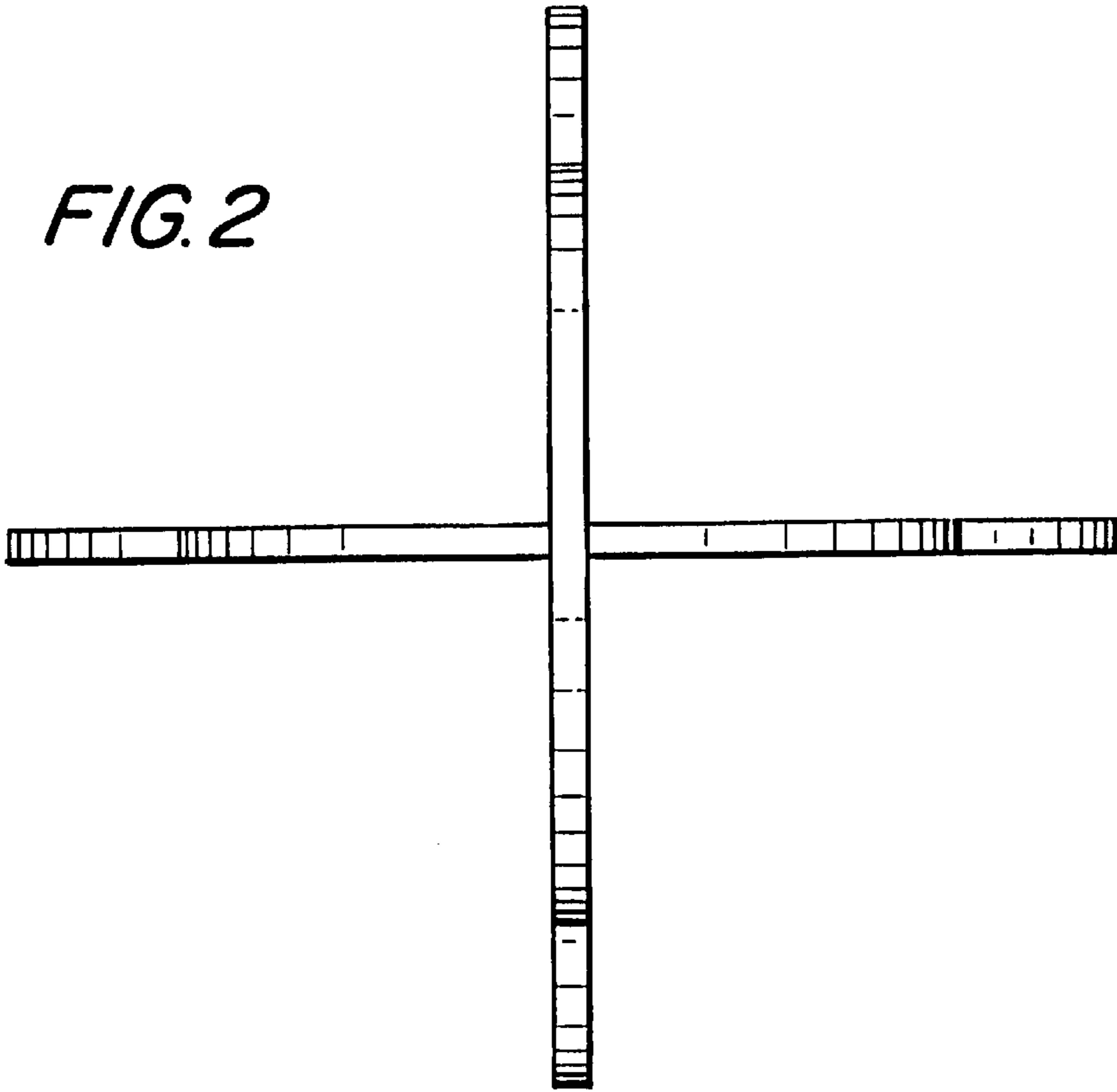
**1 Claim, 4 Drawing Sheets**



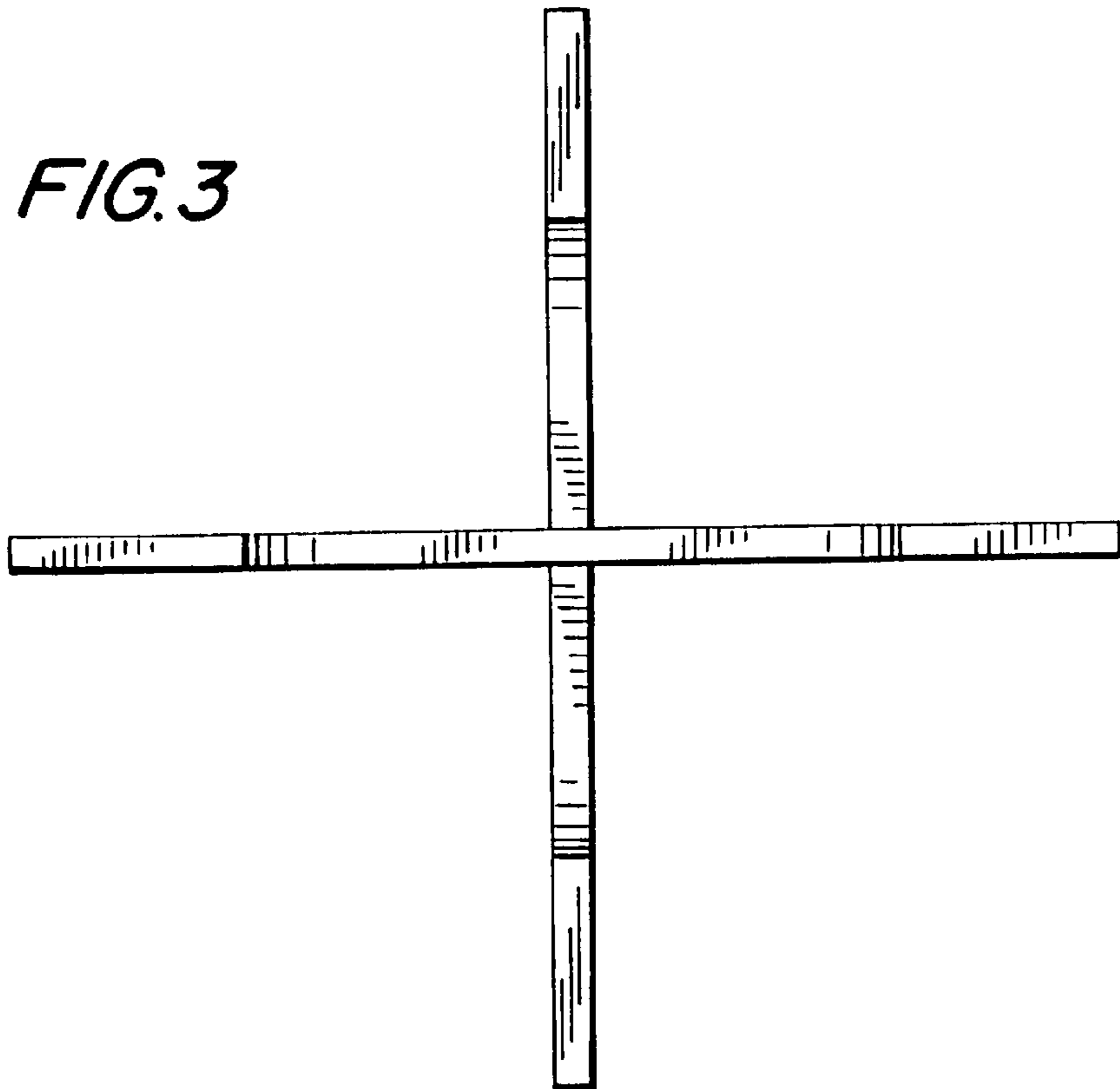
*FIG. 1*



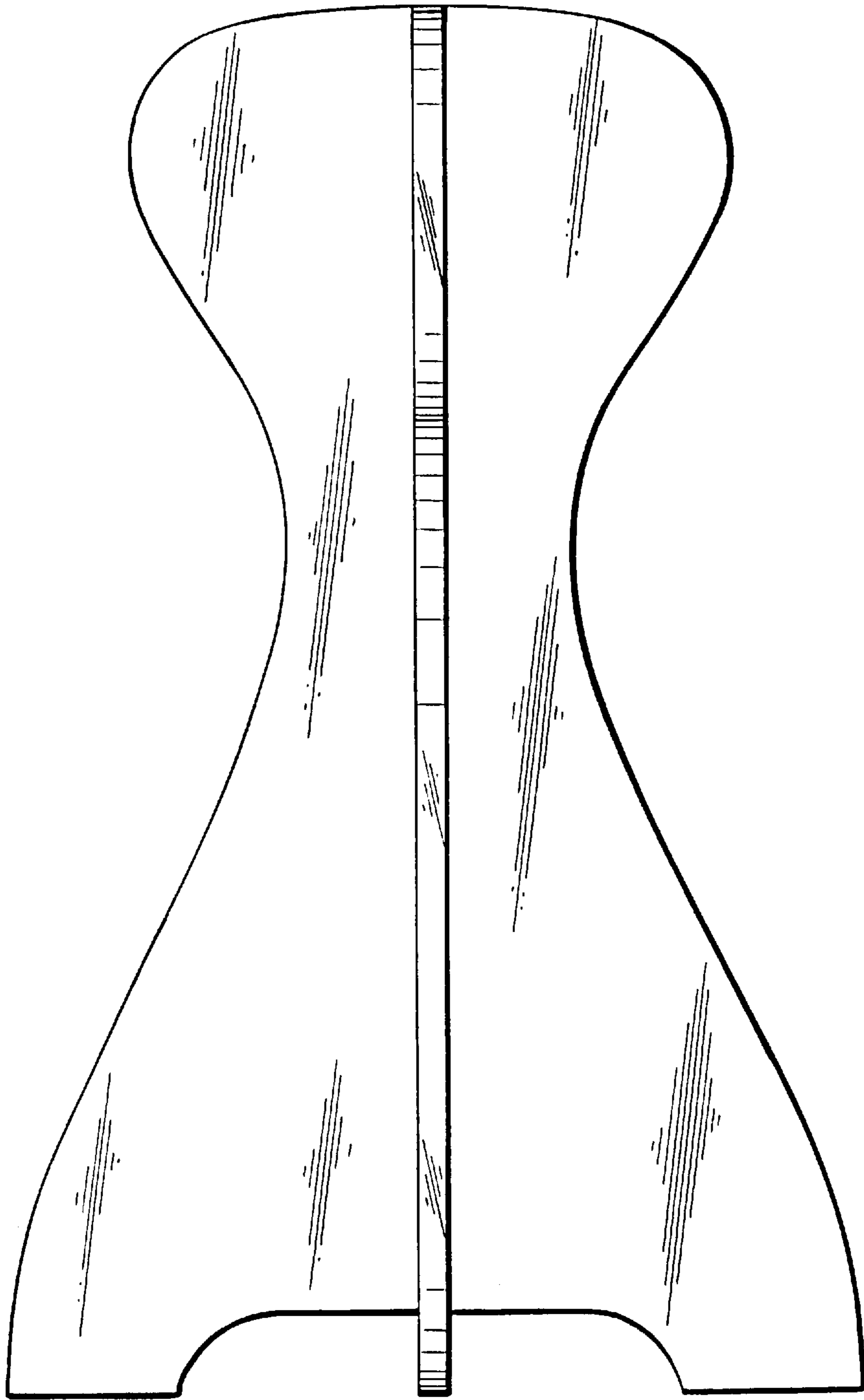
*FIG. 2*



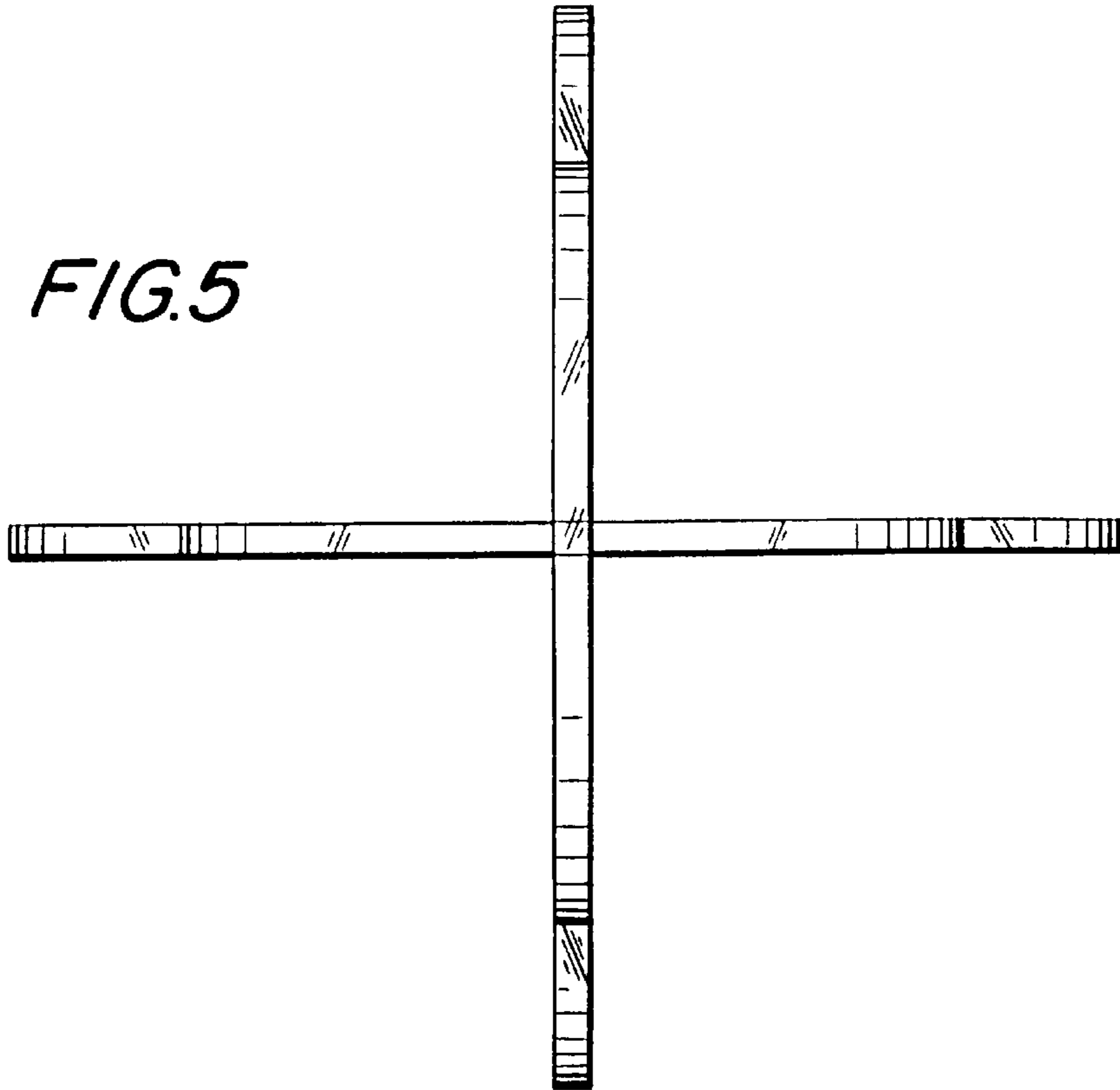
*FIG. 3*



*FIG. 4*



*FIG.5*



*FIG.6*

