



US00D401077S

United States Patent [19]

[11] Patent Number: Des. 401,077

Lewis

[45] Date of Patent: **Nov. 17, 1998

[54] SEAT

[57] CLAIM

[76] Inventor: Sally Sirkin Lewis, 715 N. Canon Dr., Beverly Hills, Calif. 90210

The ornamental design for a seat, as shown and described.

[**] Term: 14 Years

DESCRIPTION

[21] Appl. No.: 60,072

FIG. 1 is a left top perspective view of the chair embodiment of the seat of the present invention;

[22] Filed: Sep. 20, 1996

FIG. 2 is a right side view of the chair of FIG. 1, the left side being a mirror image;

[51] LOC (6) Cl. 06-01

FIG. 3 is a front view of the chair of FIG. 1;

[52] U.S. Cl. D6/369; D6/380; D6/381

FIG. 4 is a rear view of the chair of FIG. 1;

[58] Field of Search D6/334, 335, 361, D6/369, 374, 379, 380, 381, 500, 501, 502; 297/232, 445.1, 446.1

FIG. 5 is a top view of the chair of FIG. 1;

FIG. 6 is a bottom view of the chair of FIG. 1;

FIG. 7 is an enlarged fragmentary view taken along the lines 7-7 of FIG. 3 in the direction of the appended arrows;

[56] References Cited

U.S. PATENT DOCUMENTS

D. 10,597	3/1878	Penchard	D6/369
D. 16,924	10/1886	Graves	D6/369
D. 253,924	1/1980	Keller	D6/369
D. 336,793	6/1993	Claman	D6/379
D. 368,385	4/1996	Grosfillex	D6/379

FIG. 8 is a left top perspective view of the settee embodiment of the seat of the present invention;

FIG. 9 is a right side view of the settee of FIG. 8, the left side being a mirror image;

FIG. 10 is a front view of the settee of FIG. 8;

FIG. 11 is a rear view of the settee of FIG. 8;

FIG. 12 is a top view of the settee of FIG. 8;

FIG. 13 is a bottom view of the settee of FIG. 8;

OTHER PUBLICATIONS

Chairs & Couches by Curtis, ©1977, p. 58, Two Hepplewhite Chairs at Top left.

Drexel, p. 13., Chairs #964-832 and 964-833 shown.

Woodward & Lothrop Directions, p. 18, Arm chair and side chair at bottom.

FIG. 14 is a front perspective view of an alternative chair embodiment of the seat of the present invention;

FIG. 15 is a right side view of the chair of FIG. 14, the left side being a mirror image;

FIG. 16 is a front view of the chair of FIG. 14;

FIG. 17 is a back view of the chair of FIG. 14 ;

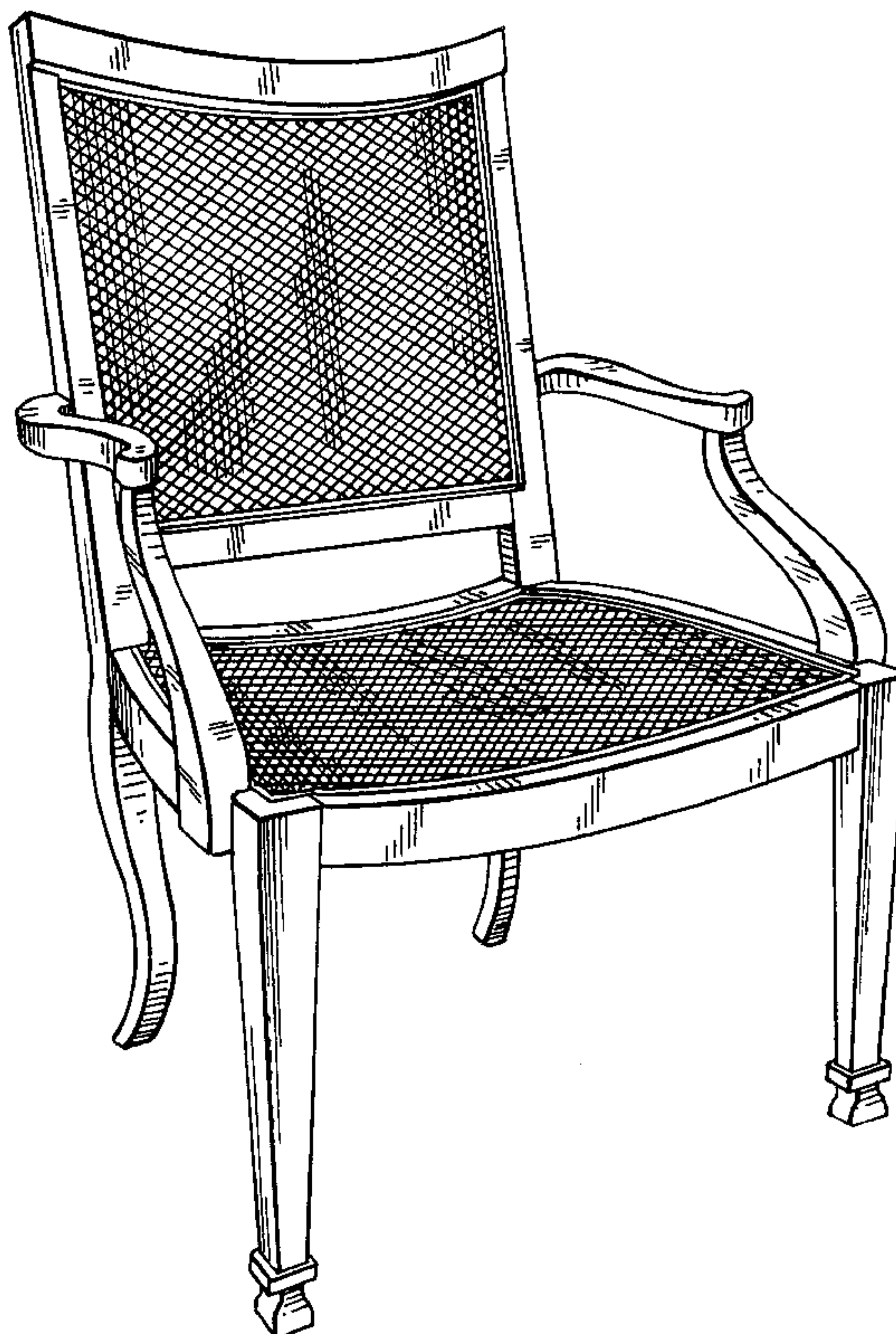
FIG. 18 is a top view of the chair of FIG. 14; and,

FIG. 19 is a bottom view of the chair of FIG. 14.

Primary Examiner—Gary D. Watson

Attorney, Agent, or Firm—Marvin H. Kleinberg; Arant, Kleinberg, Lerner & Ram, LLP

1 Claim, 9 Drawing Sheets



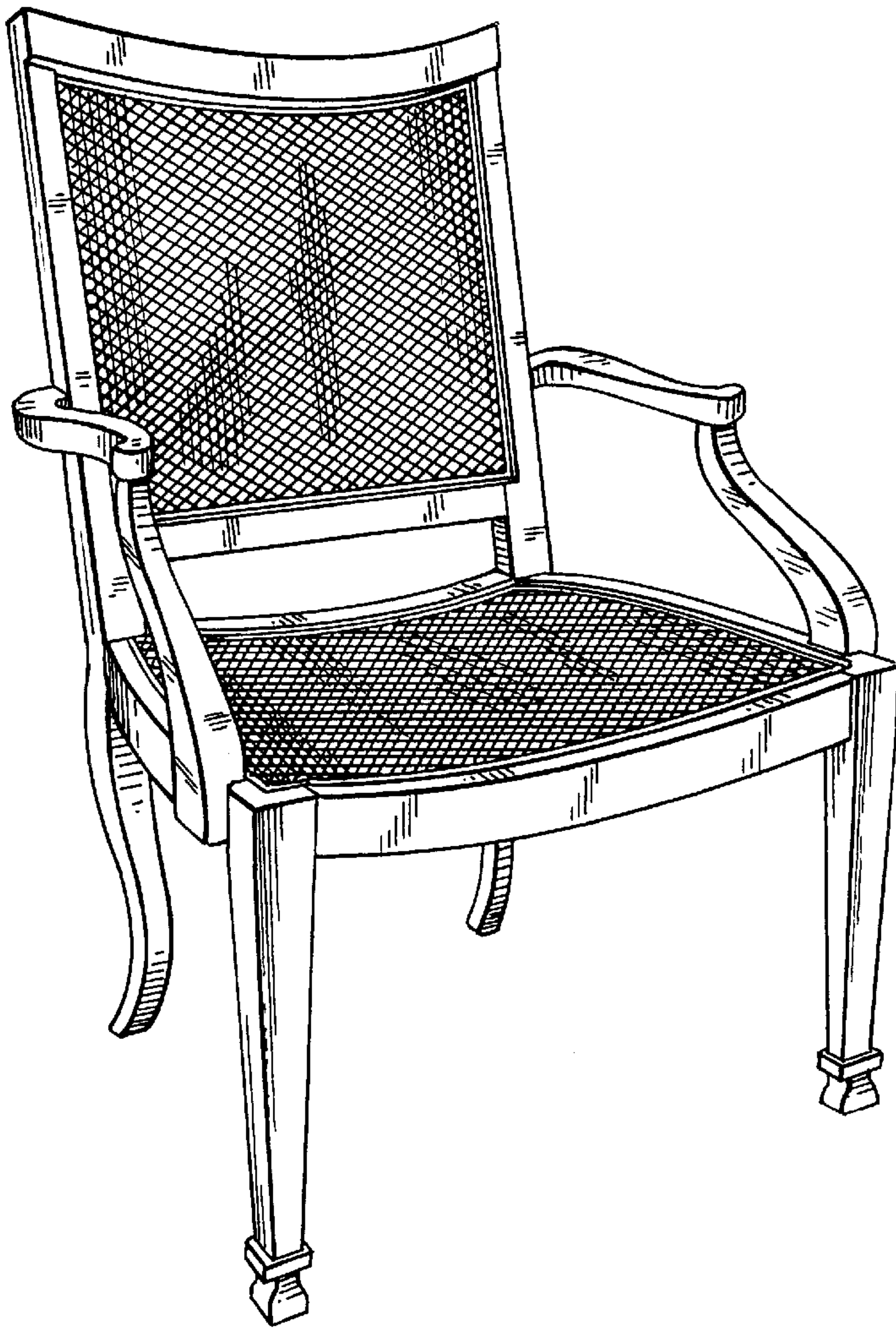
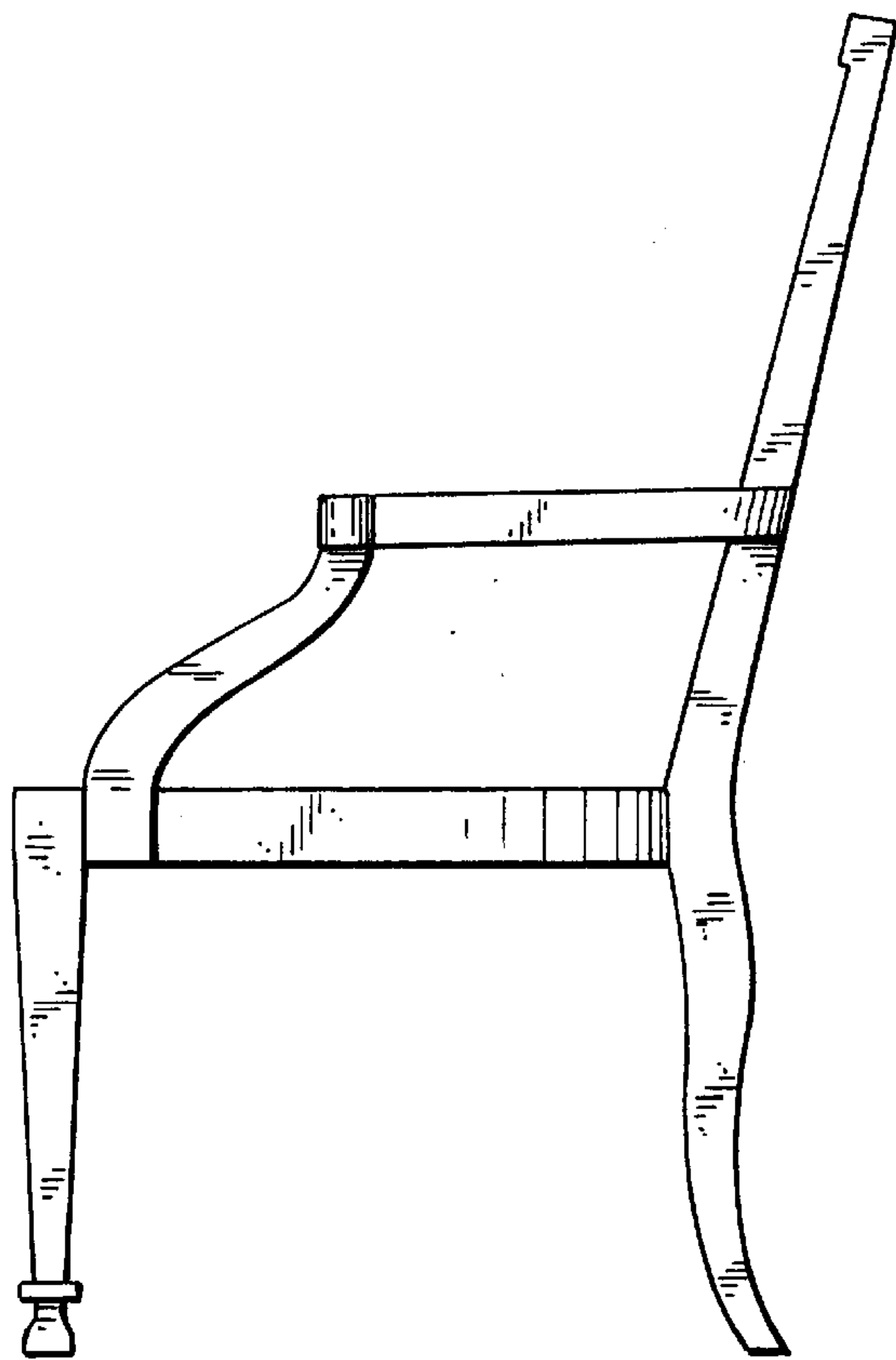


FIG. 1

FIG. 2



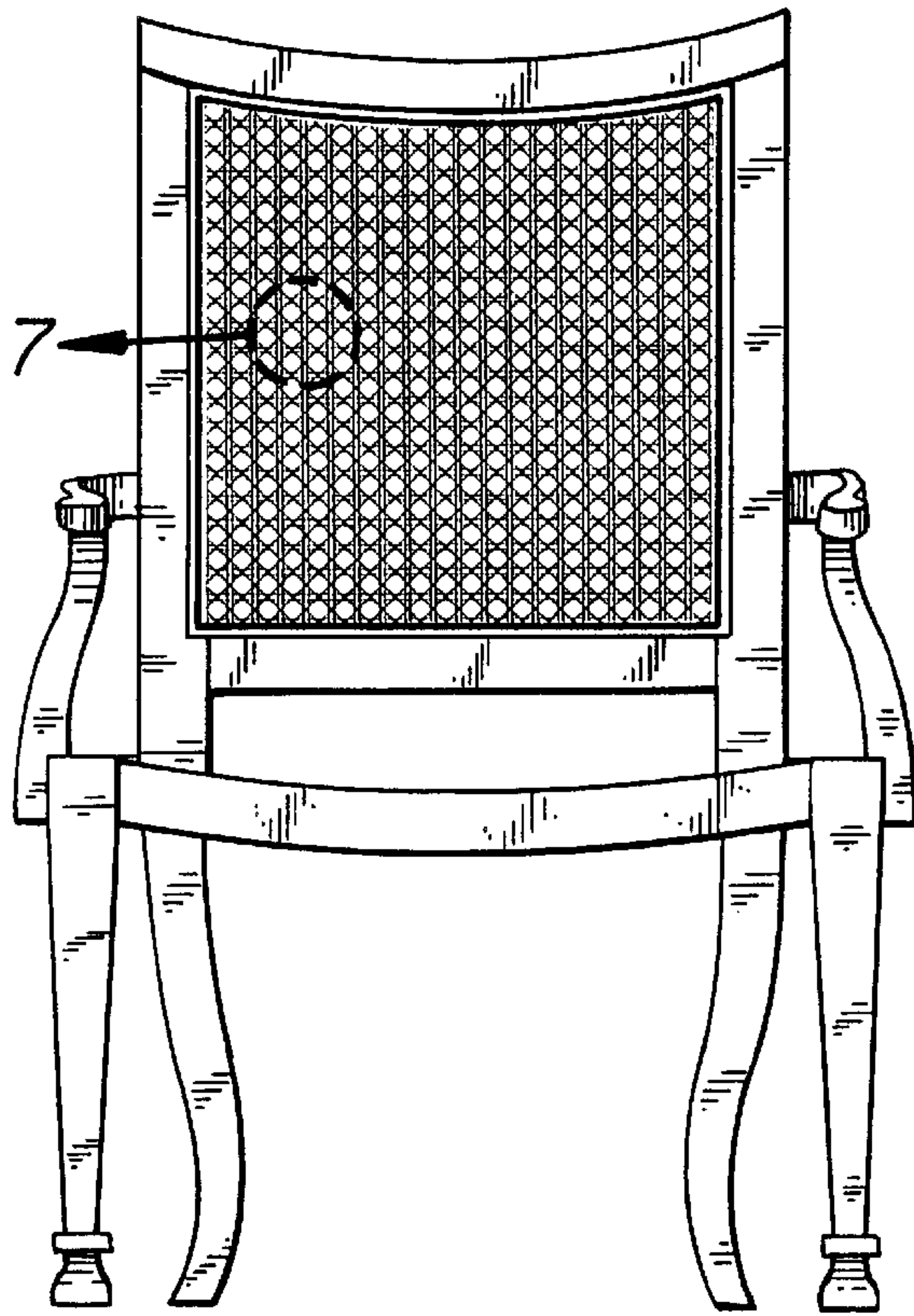


FIG. 3

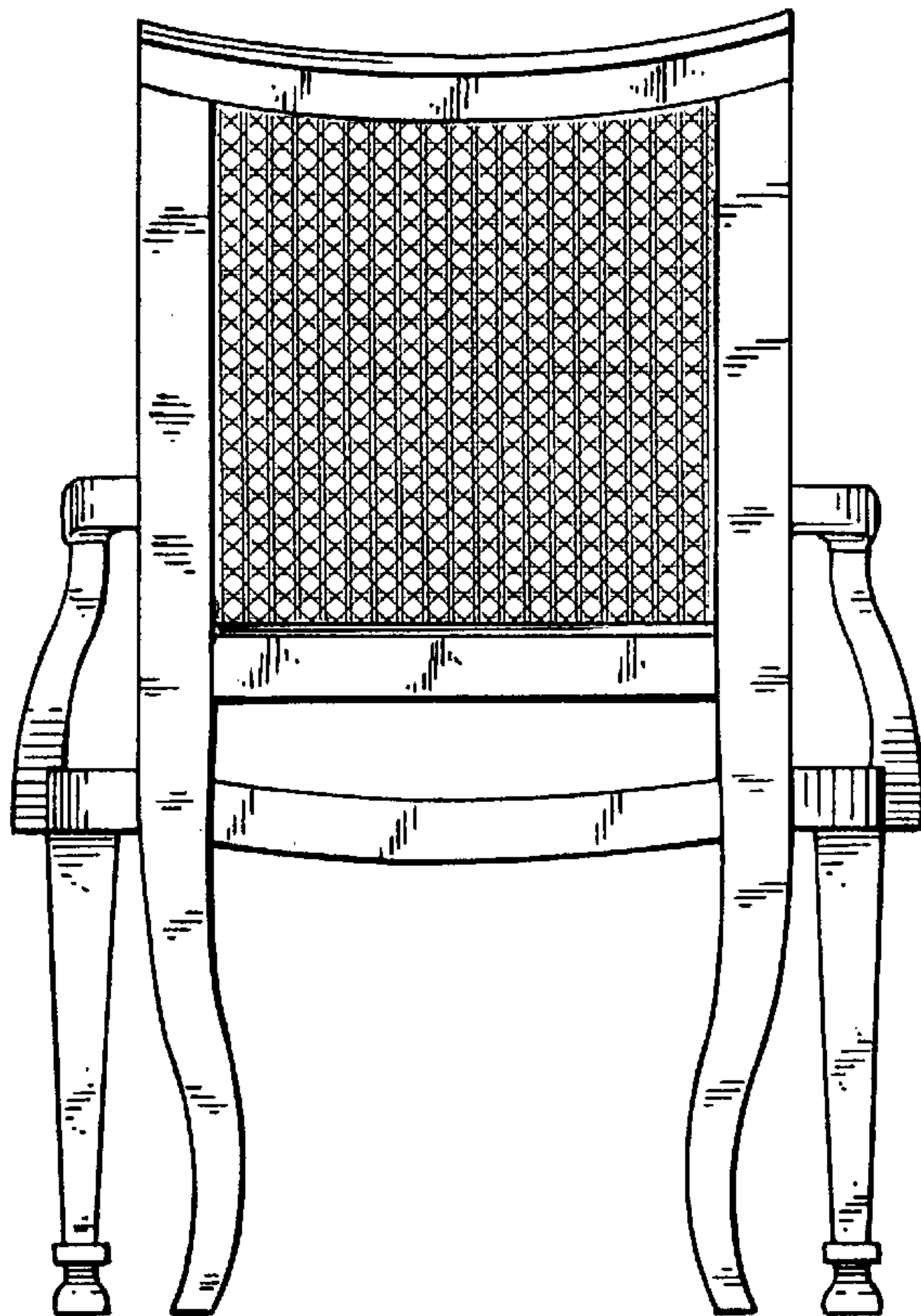


FIG. 4

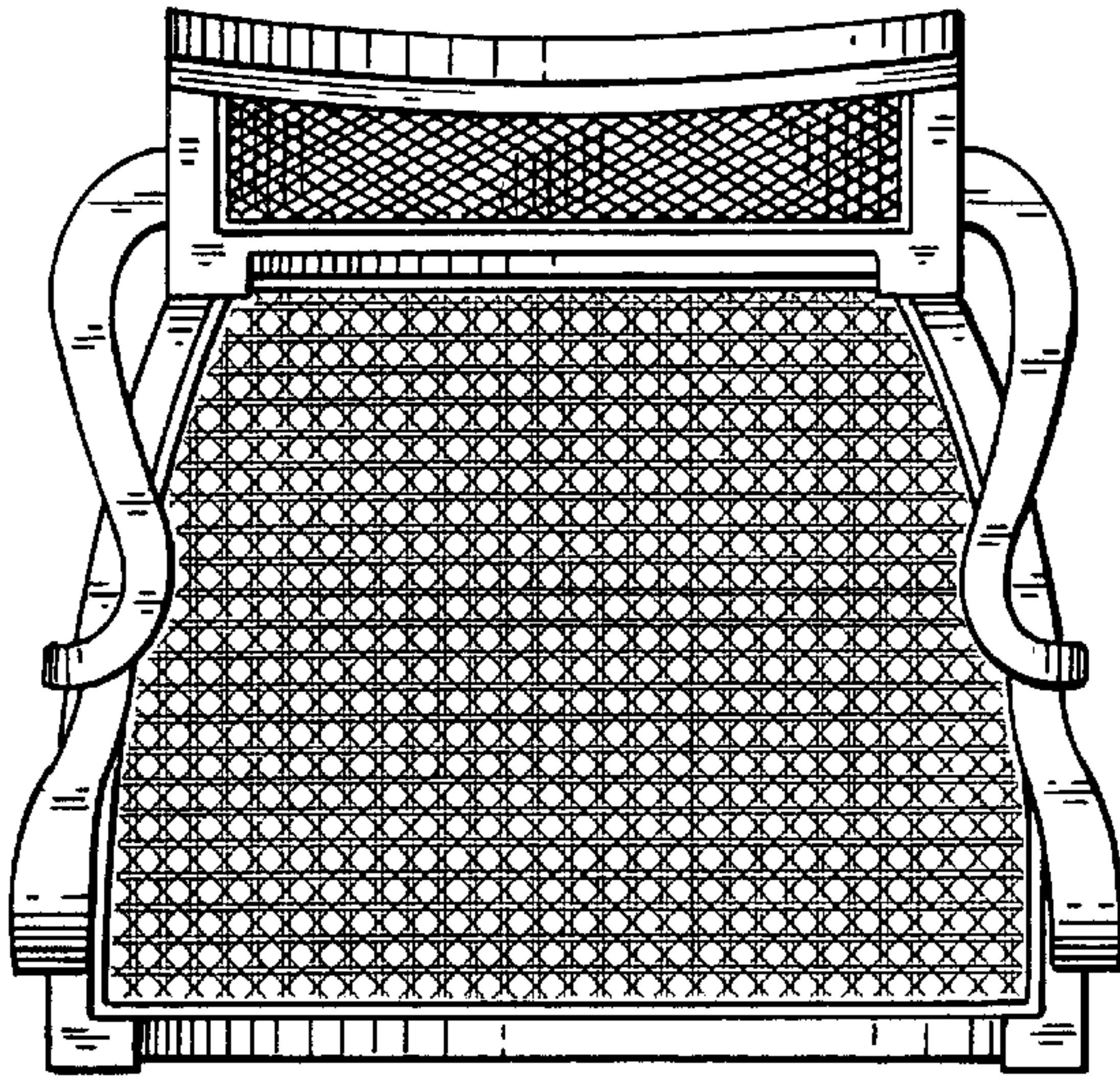


FIG. 5

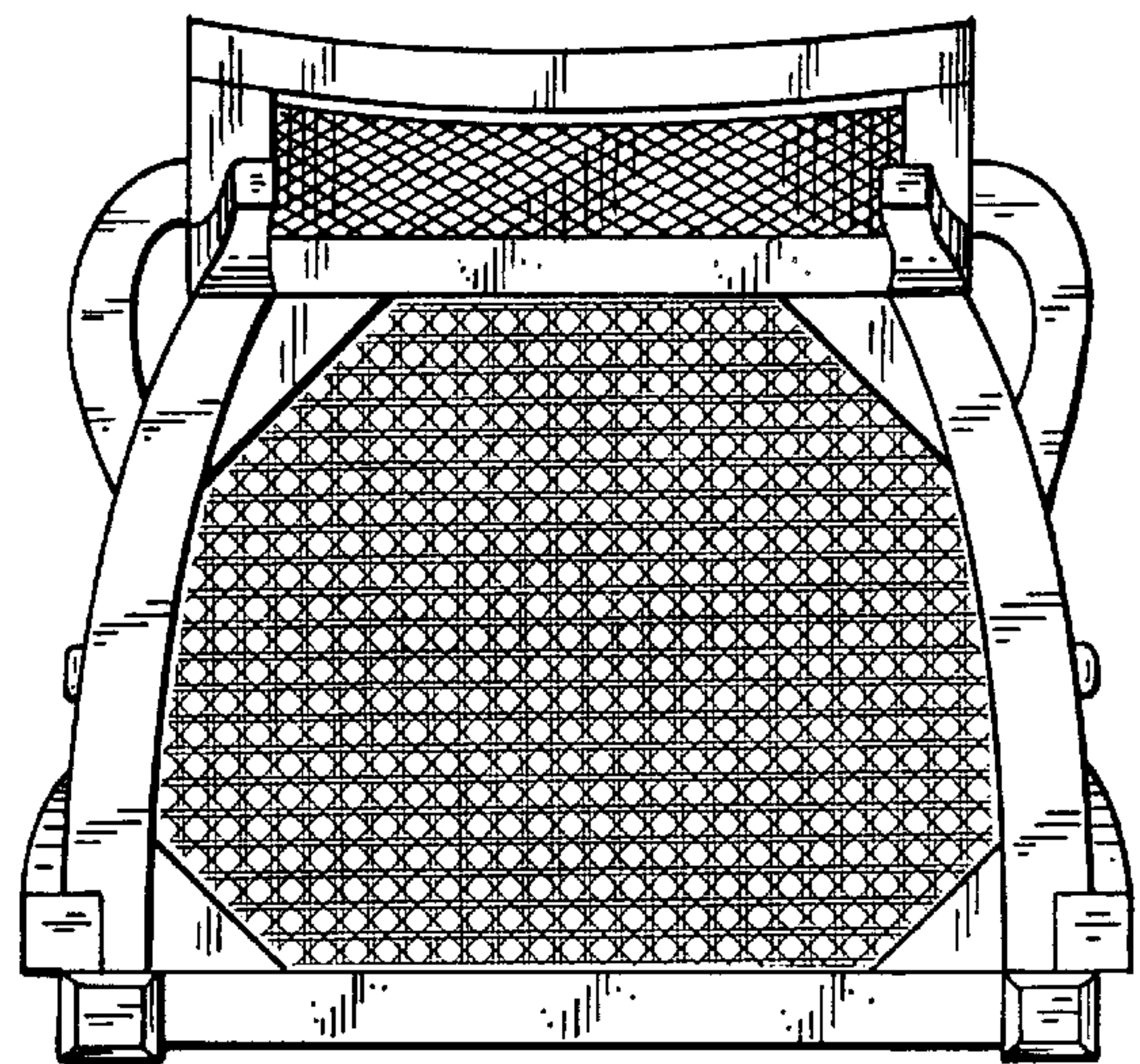


FIG. 6

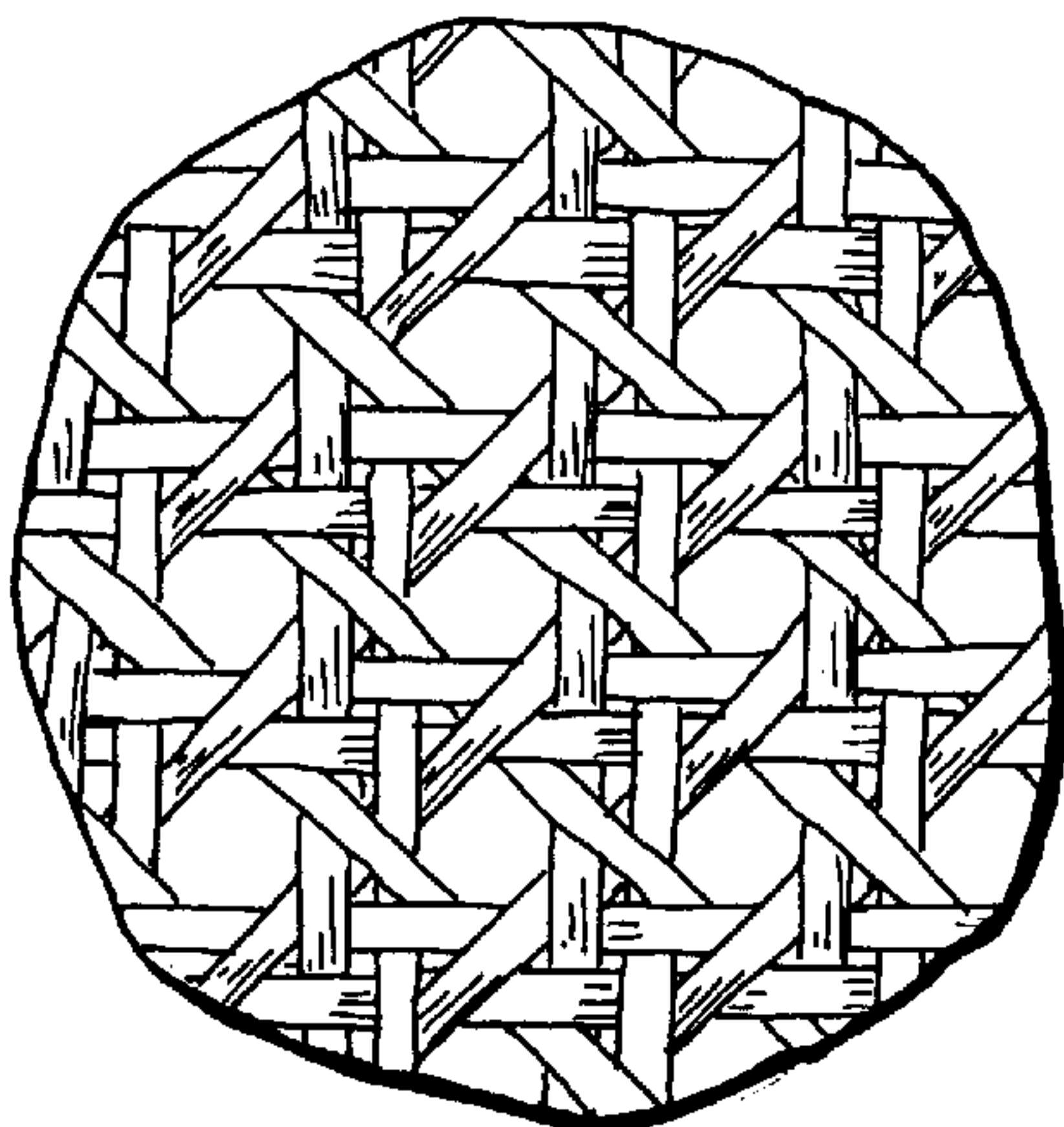


FIG. 7

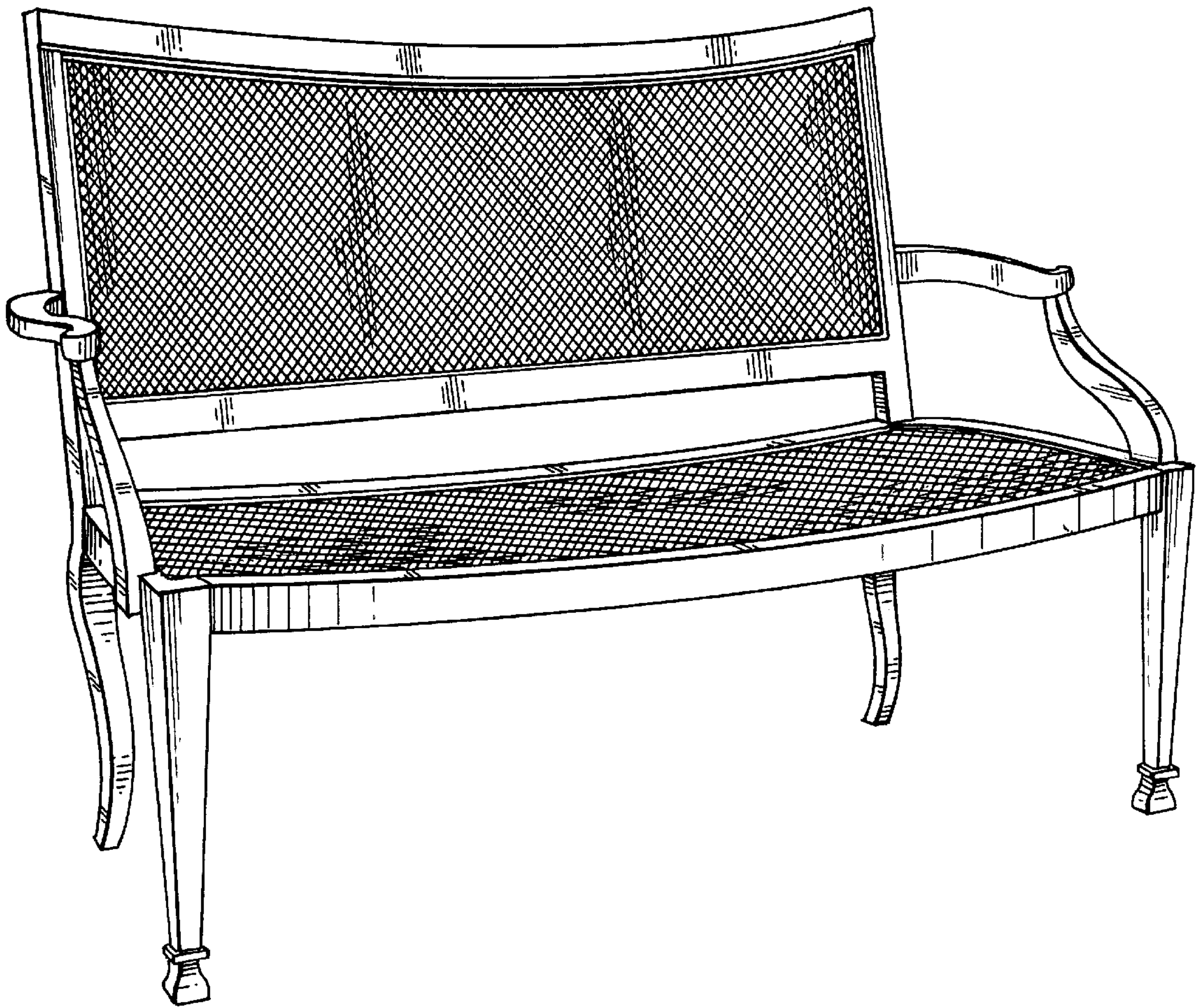


FIG. 8

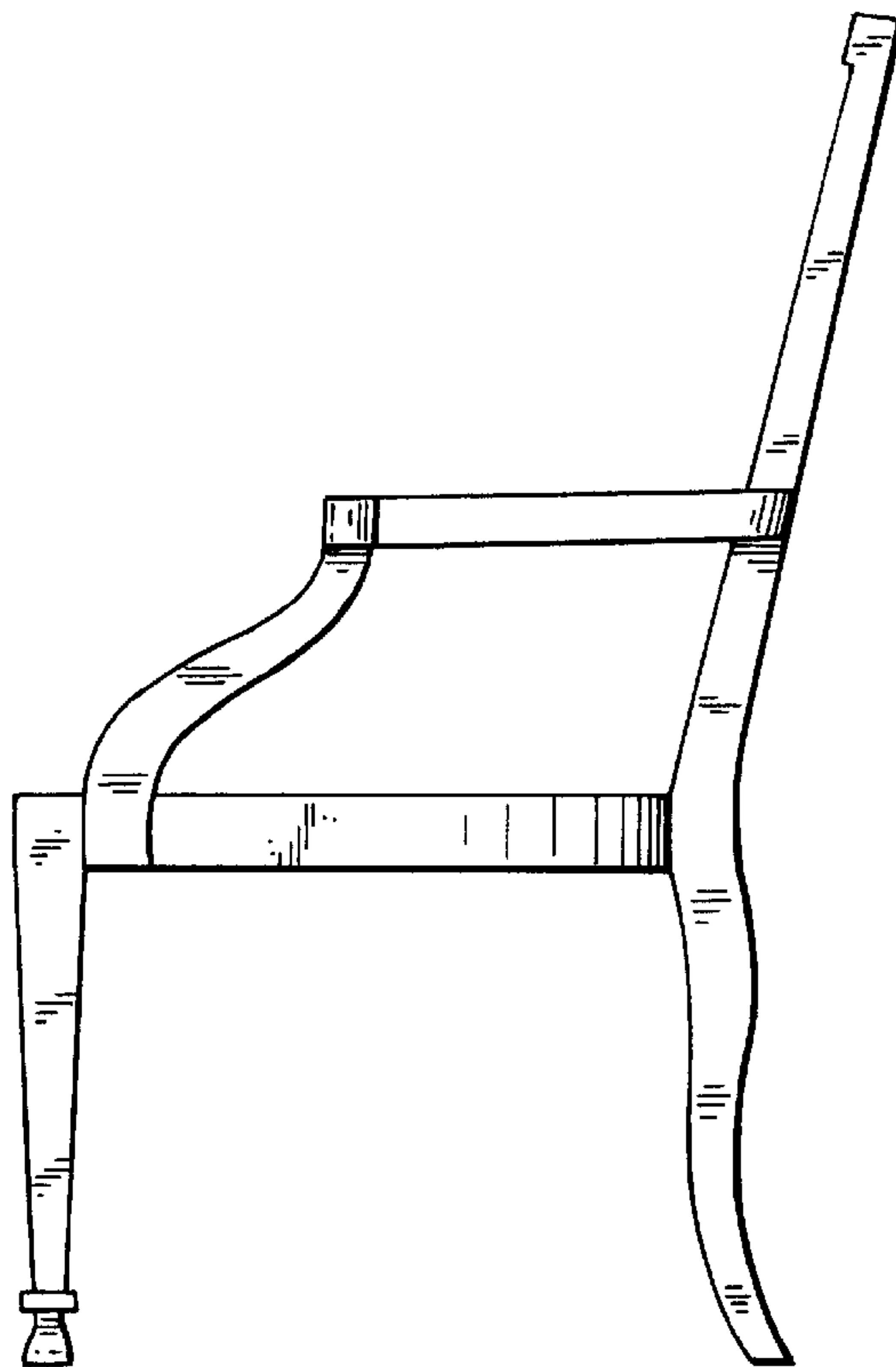


FIG. 9

FIG. 10

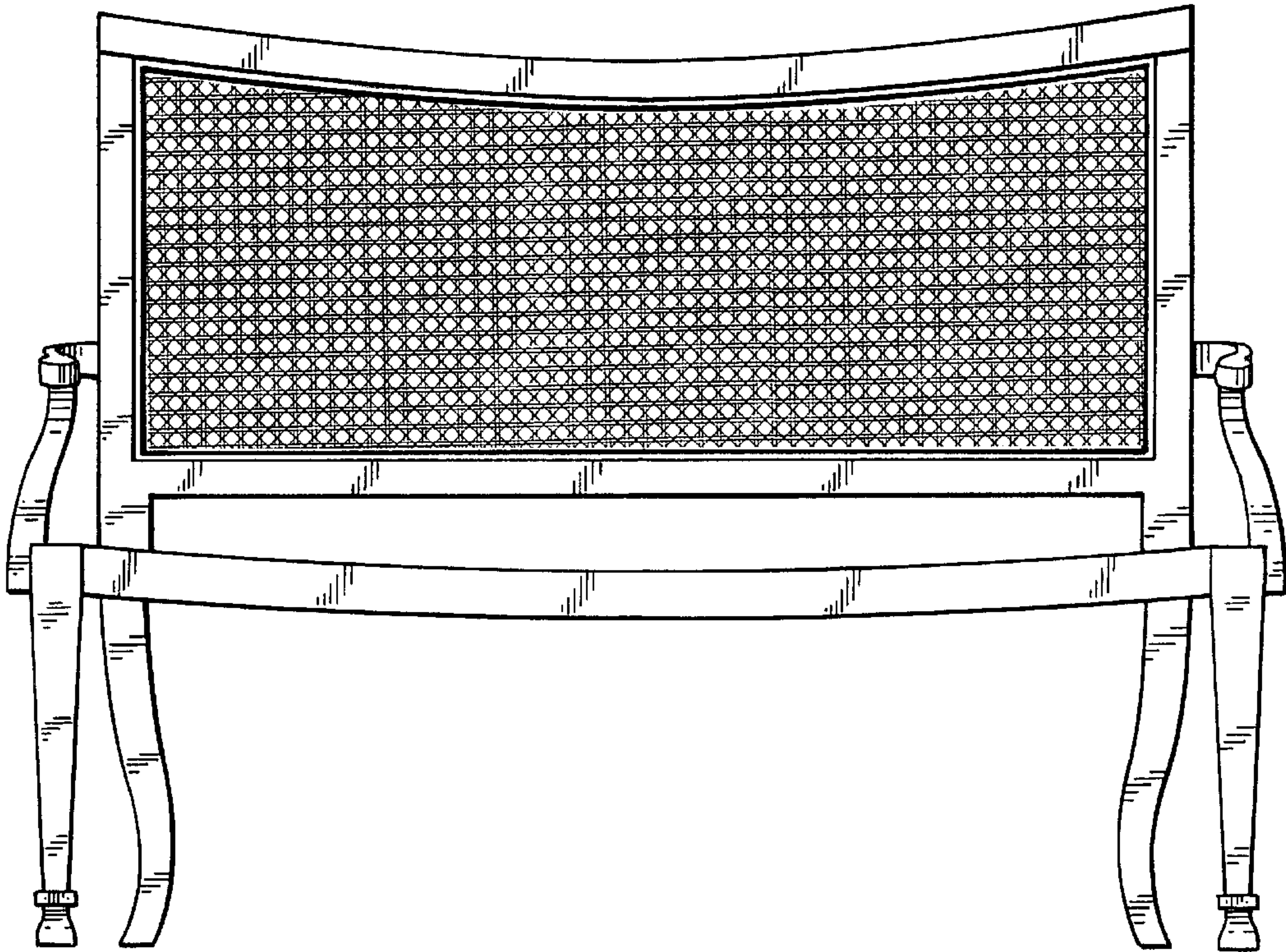


FIG. 11

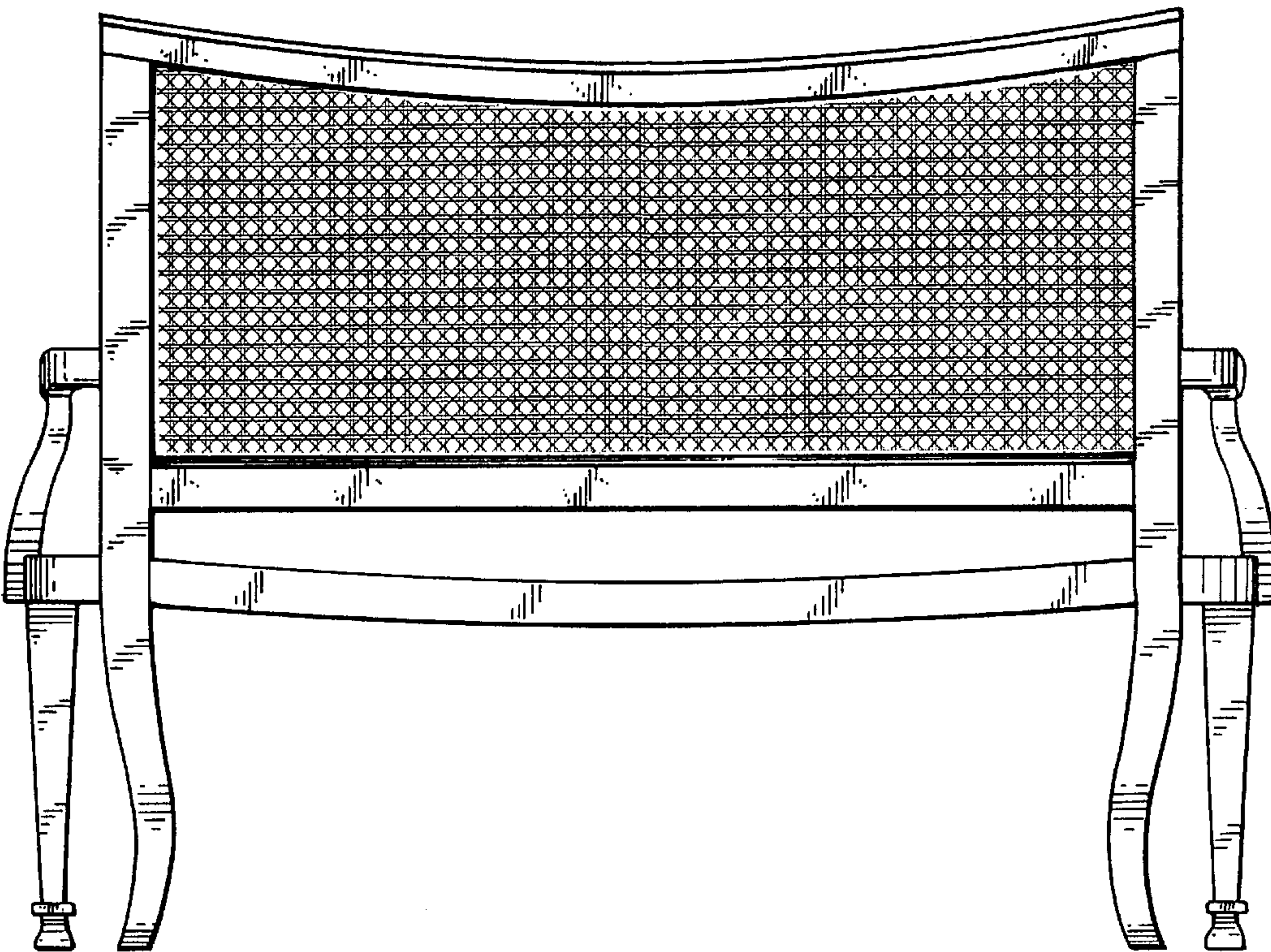


FIG. 12

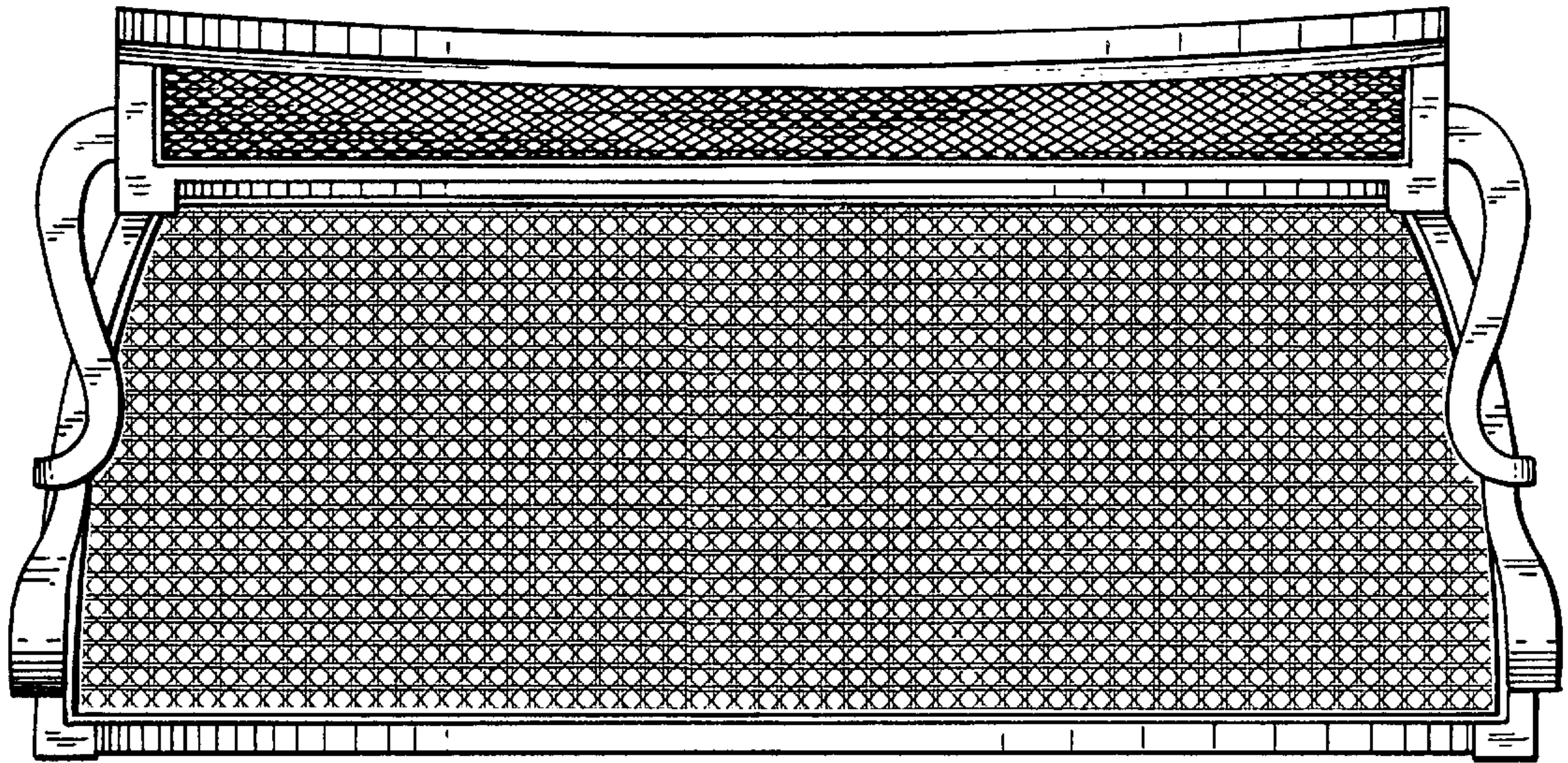
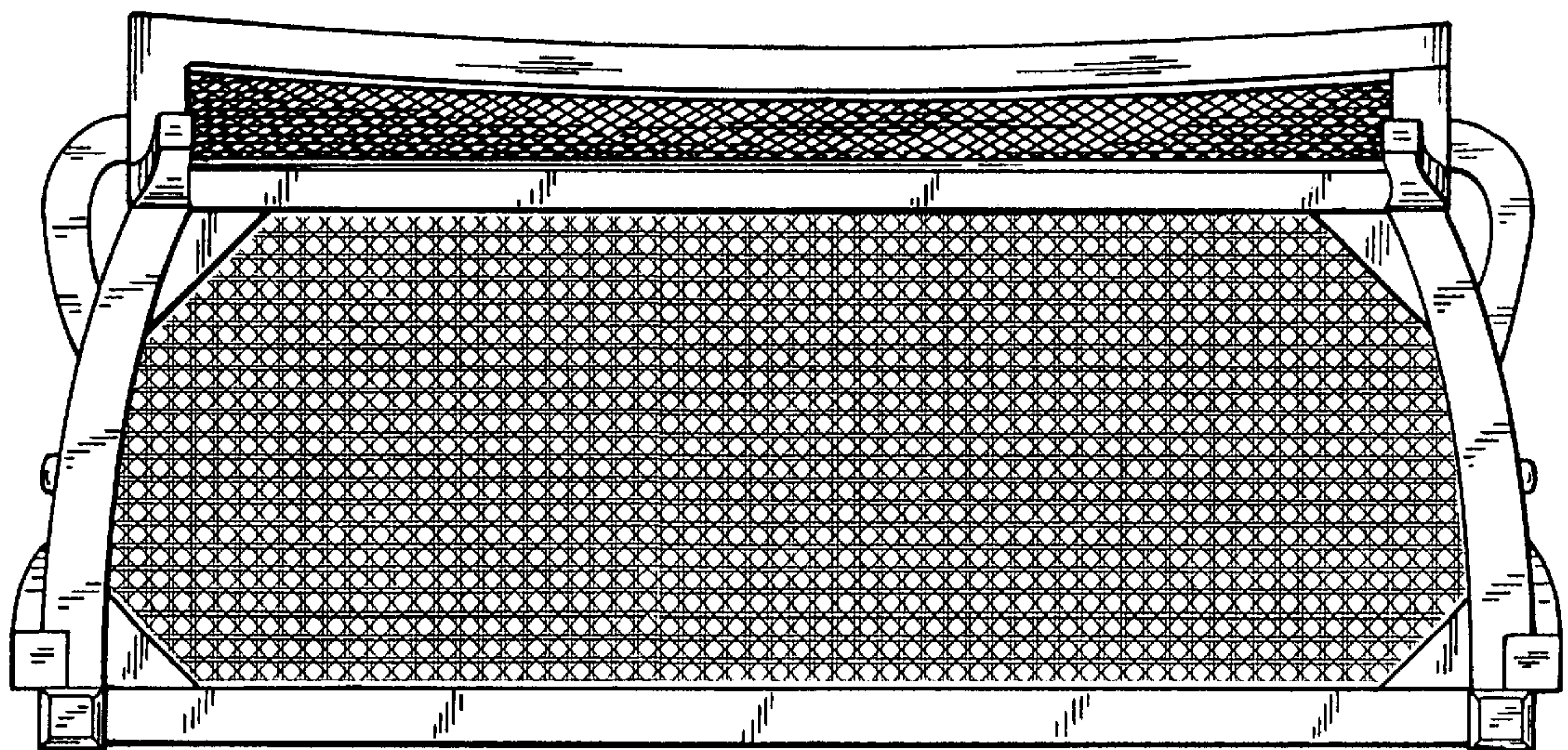


FIG. 13



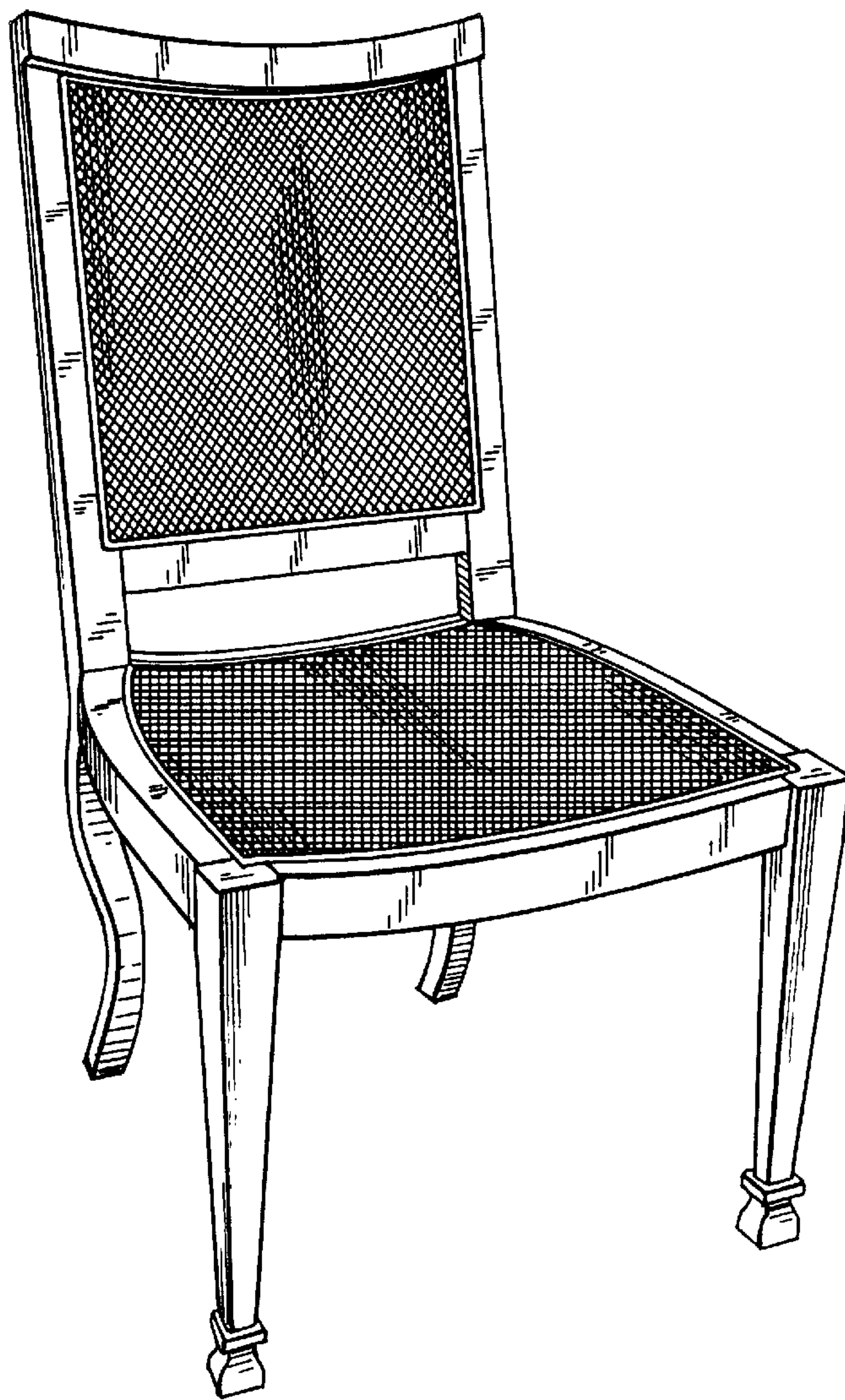


FIG. 14

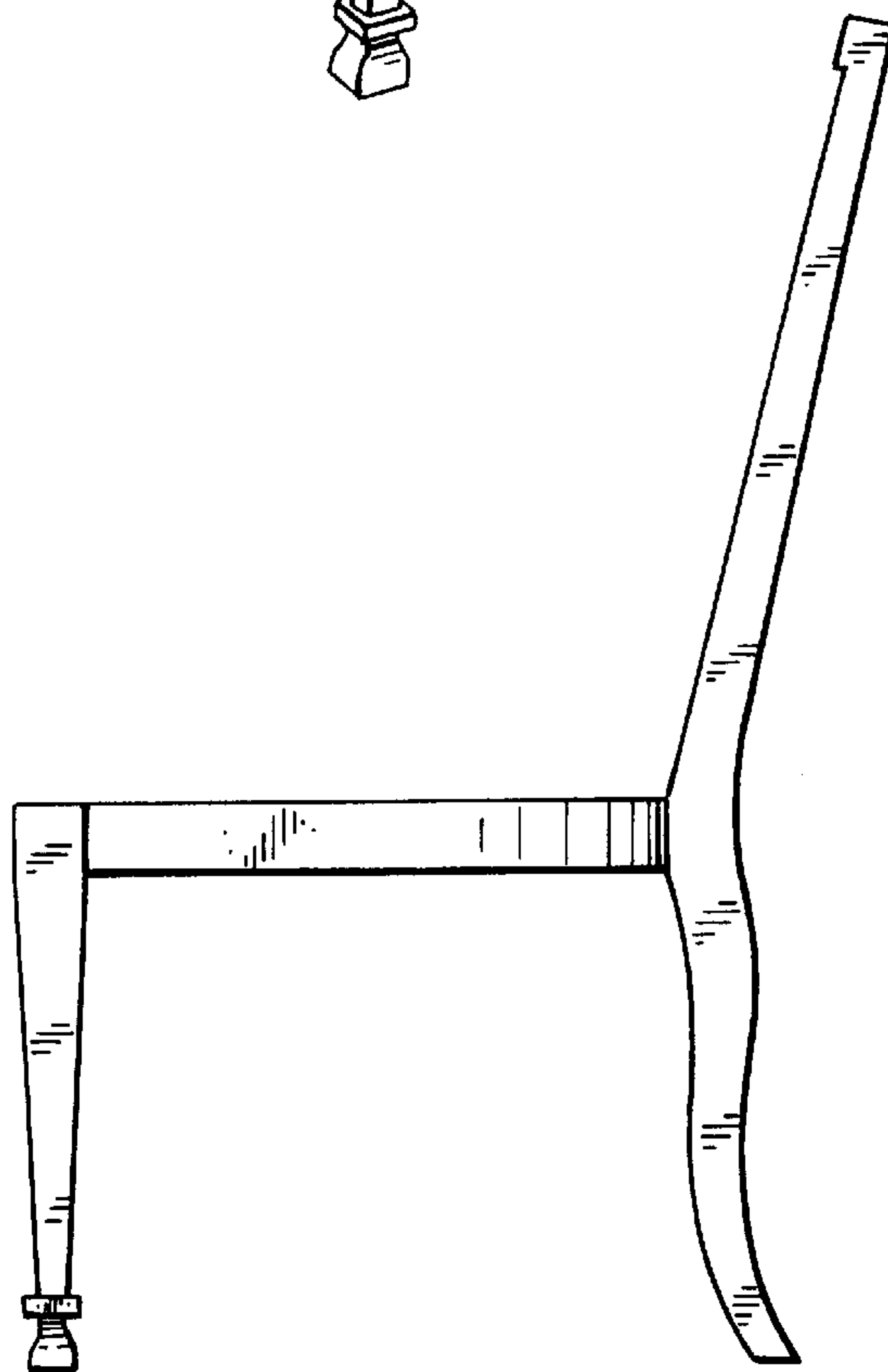


FIG. 15

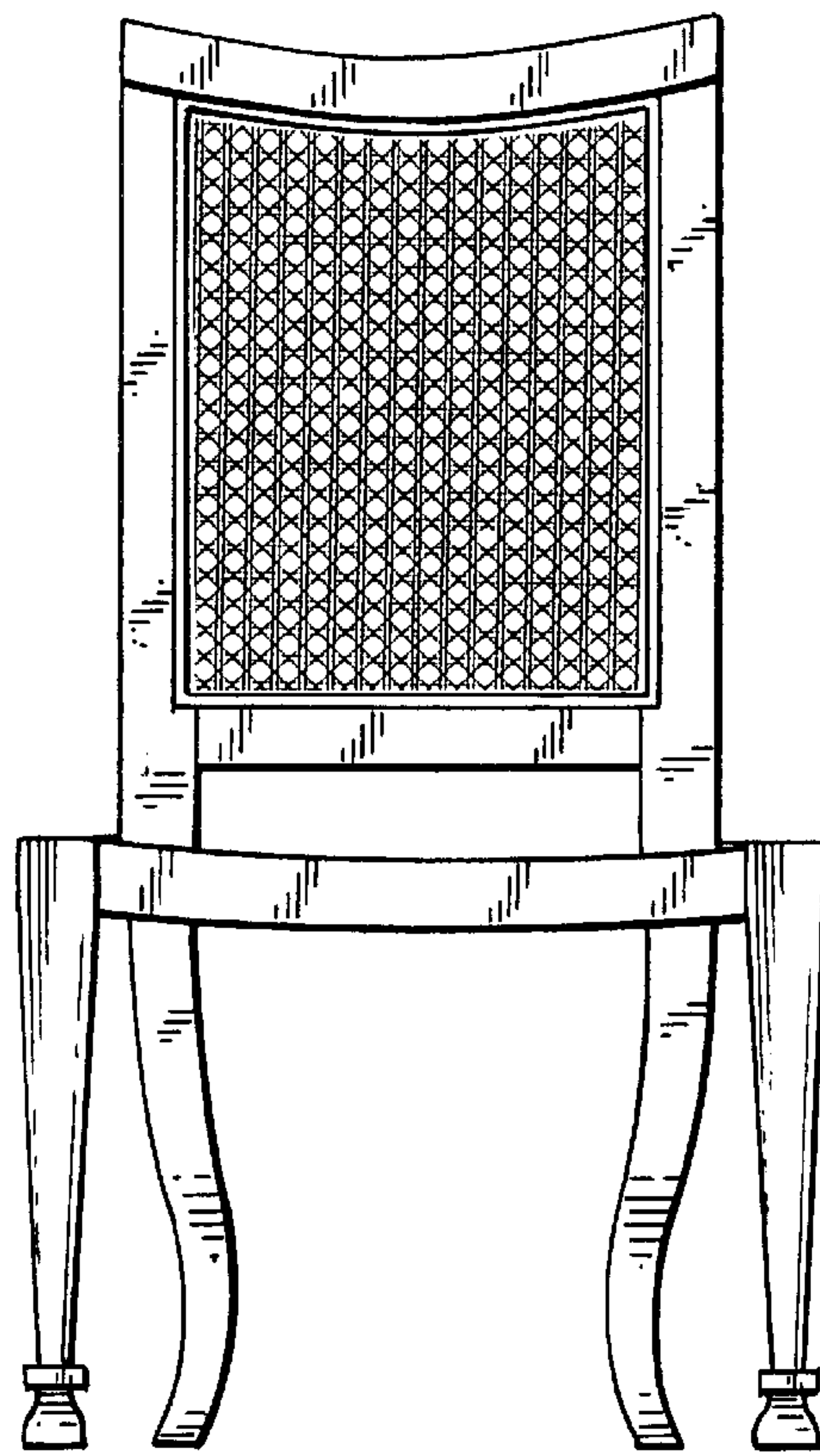
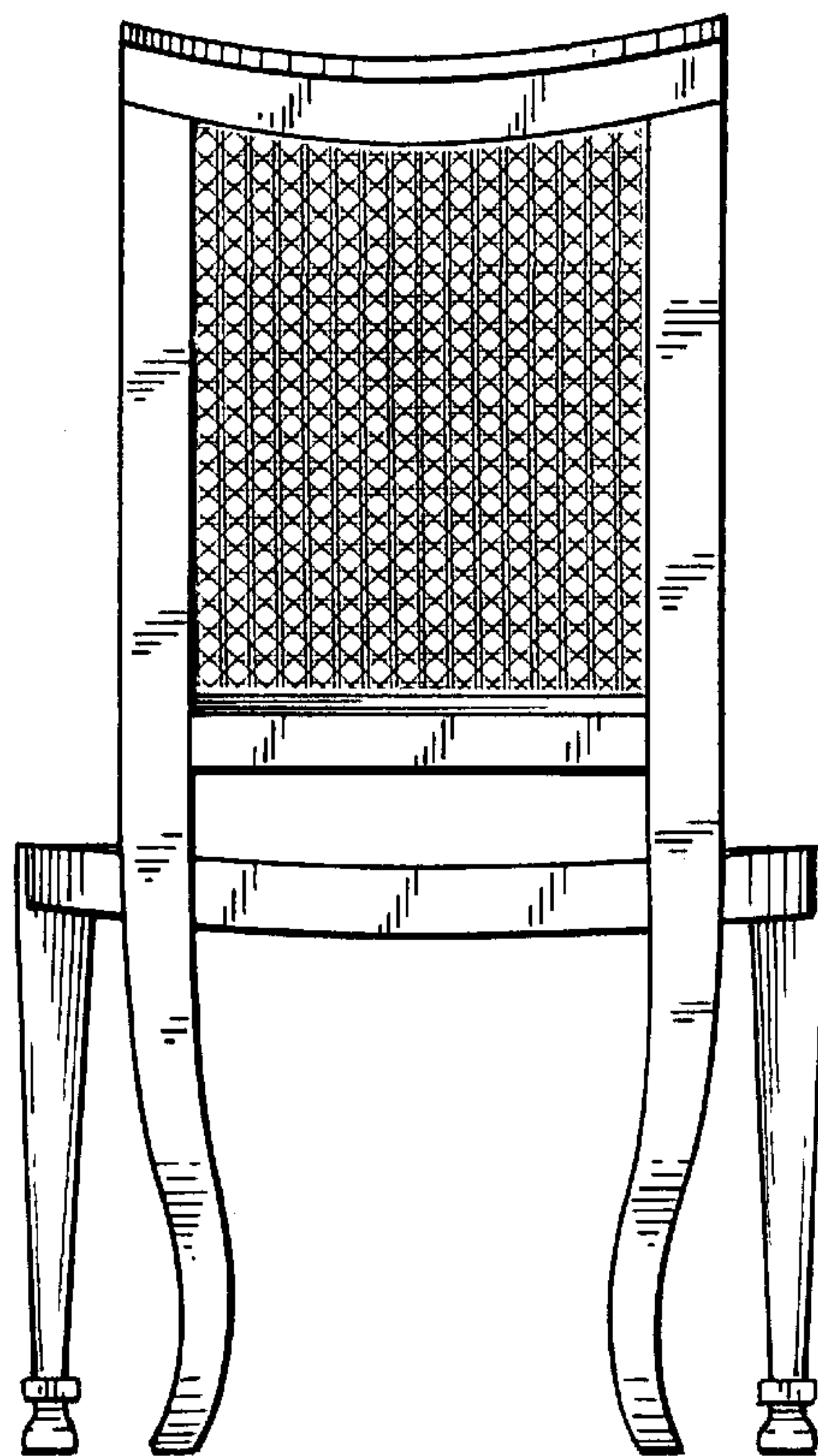


FIG. 16

FIG. 17



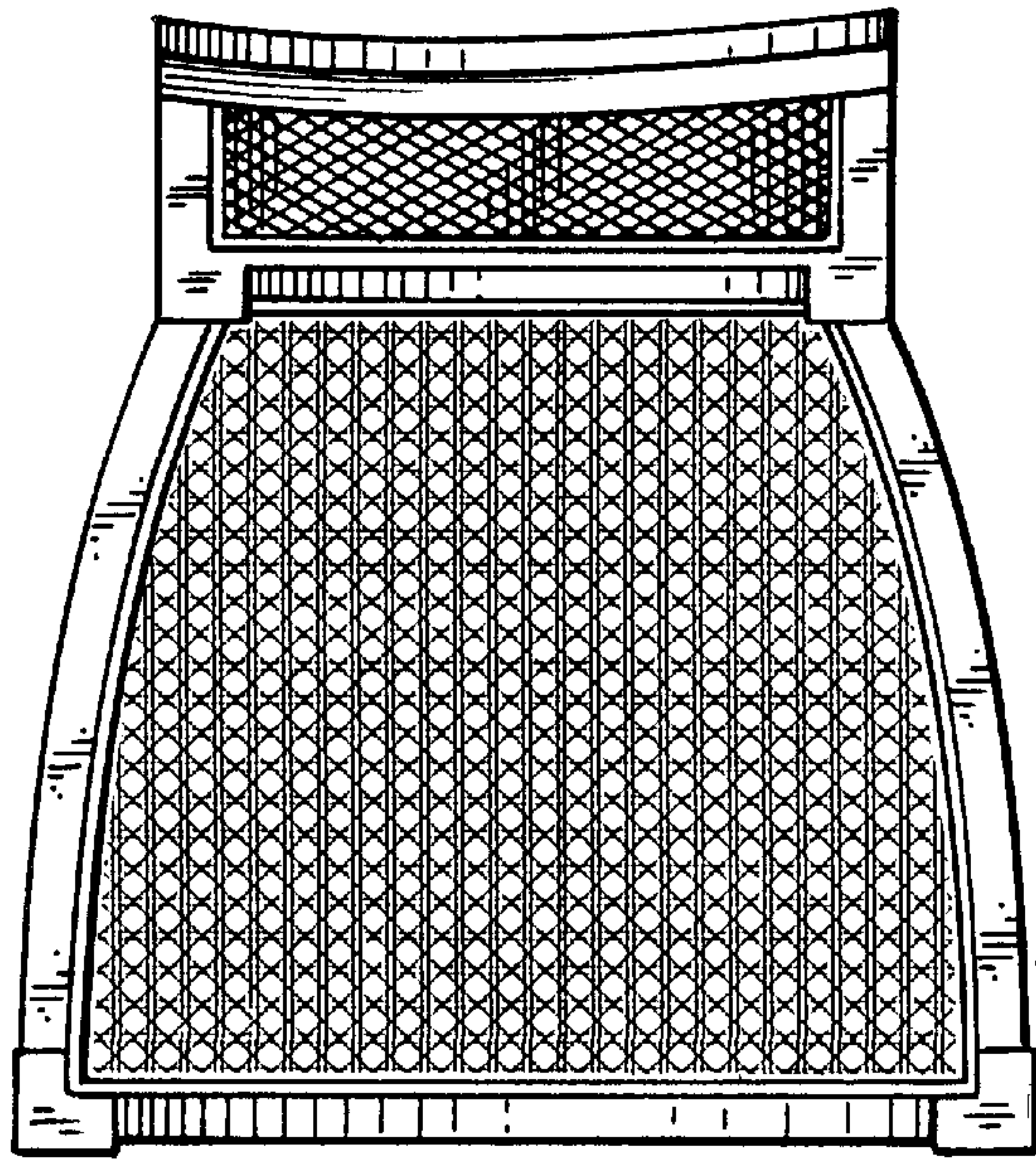


FIG. 18

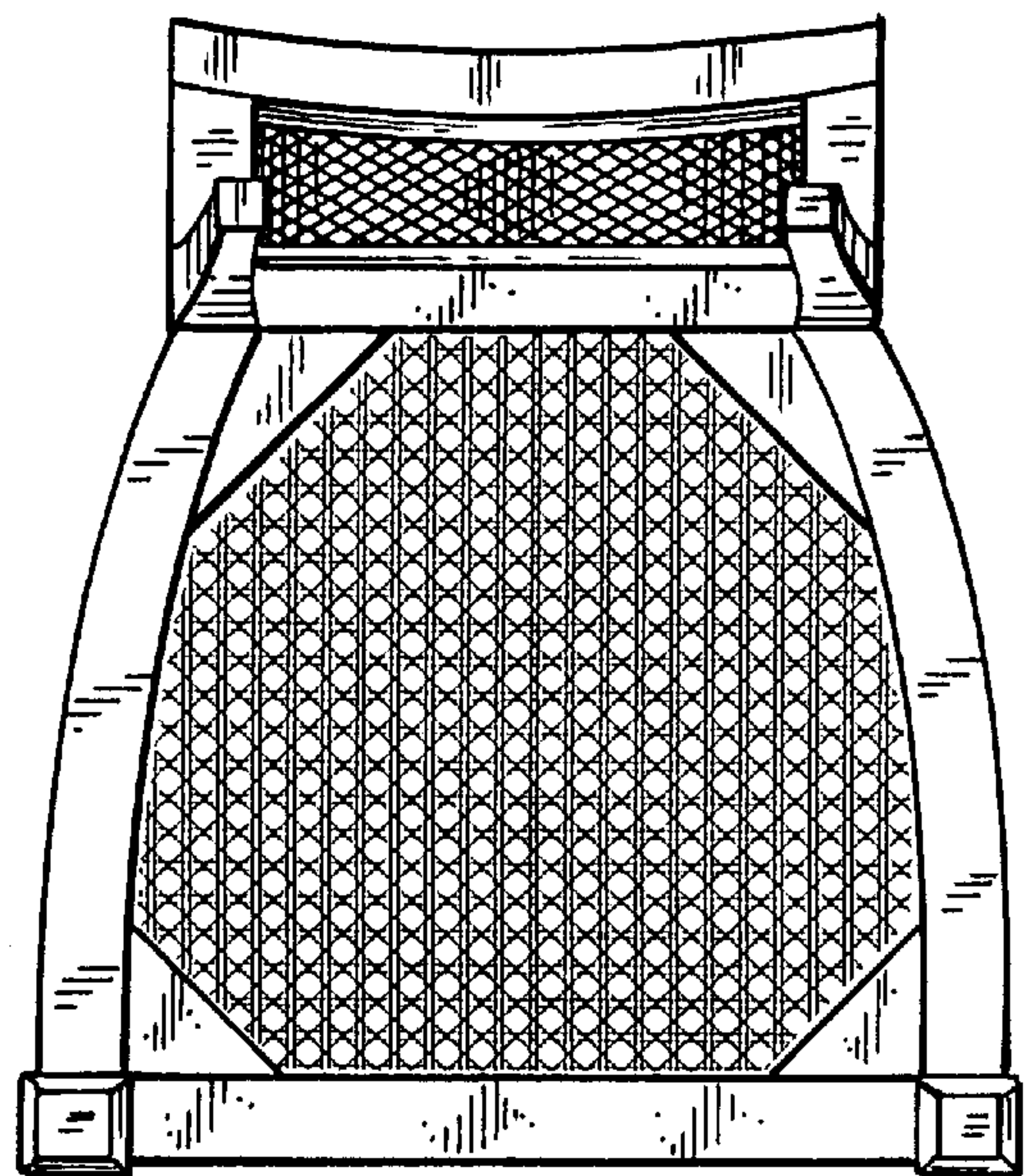


FIG. 19