



US00D401075S

United States Patent [19]
Smith

[11] **Patent Number: Des. 401,075**

[45] **Date of Patent: **Nov. 17, 1998**

[54] **RECLINING CHAIR**

Attorney, Agent, or Firm—Wolf, Greenfield & Sacks, P.C.

[76] Inventor: **Nathaniel L. Smith**, 46 Front St.,
Holliston, Mass. 01746

[57] **CLAIM**

[**] Term: **14 Years**

The ornamental design for a reclining chair, as shown and described.

[21] Appl. No.: **55,625**

DESCRIPTION

[22] Filed: **Jun. 10, 1996**

[51] **LOC (6) Cl. 06-01**

FIG. 1 is a perspective view of a reclining chair in the upright position embodying my new design;

[52] **U.S. Cl. D6/366; D6/360; D6/367**

FIG. 2 is a front elevation view thereof;

[58] **Field of Search D6/334, 335, 360,
D6/364, 365, 366, 367, 500, 501, 502;
297/68, 411.2**

FIG. 3 is a rear elevation view thereof, the broken line showing of the knob and plate is for illustrative purposes only and forms no part of the claimed design;

[56] **References Cited**

U.S. PATENT DOCUMENTS

D. 247,010	1/1978	Daswick	D6/360
D. 276,957	1/1985	Schultz	D6/366
D. 362,974	10/1995	Olson et al.	D6/366
D. 369,689	5/1996	Locher	D6/366
D. 374,560	10/1996	Fujimoto et al.	D6/367

FIG. 4 is a right side elevation view thereof, the left side elevation being a mirror image thereof;

FIG. 5 is a top plan view thereof;

OTHER PUBLICATIONS

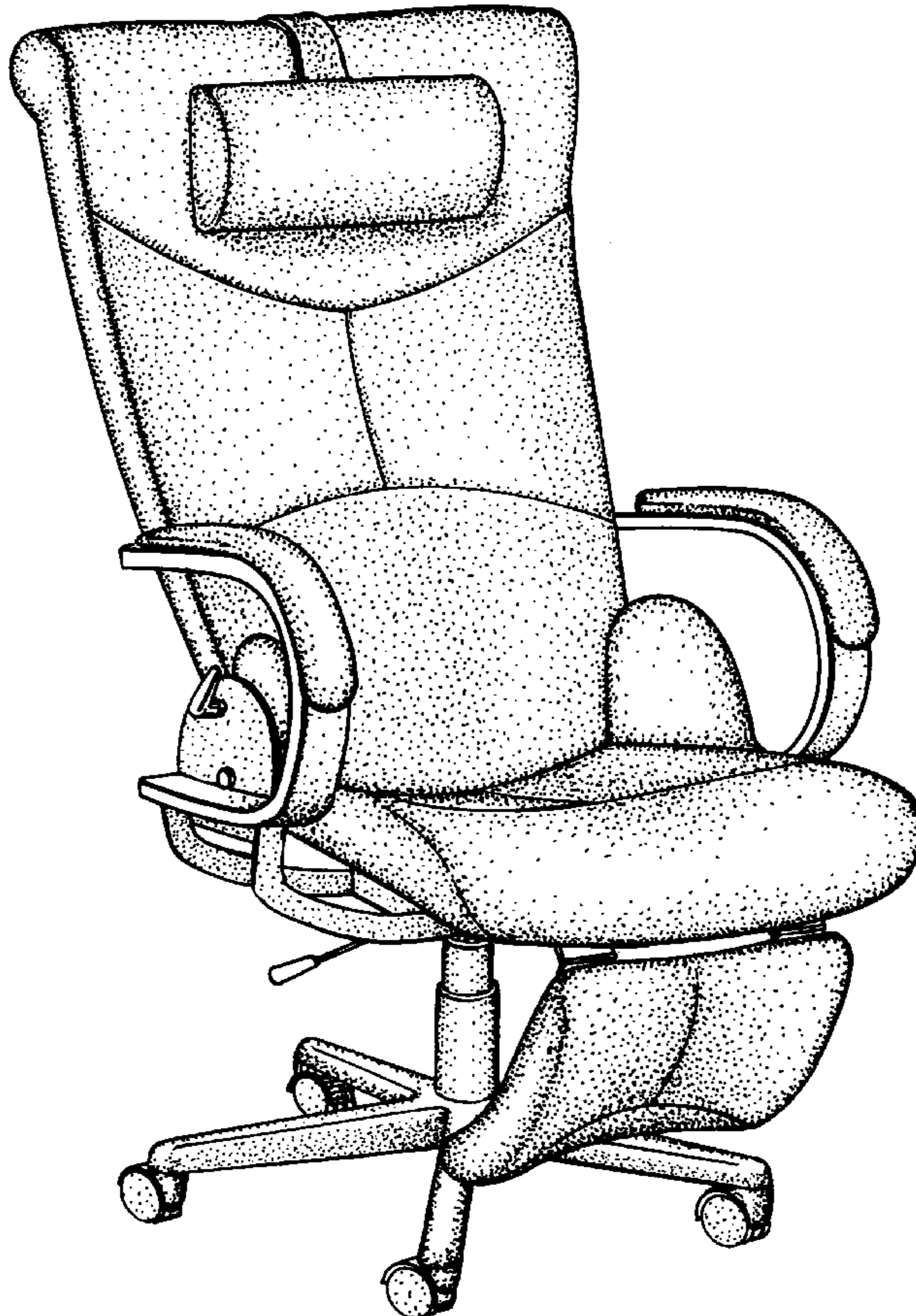
Furniture Today, p. 114, Chair at mid-page left by Polar-design, Apr. 1989.

FIG. 6 is a perspective view thereof with the chair in the partially reclined position; and,

FIG. 7 is a perspective view thereof with the chair in the fully reclined position.

Primary Examiner—Gary D. Watson

1 Claim, 7 Drawing Sheets



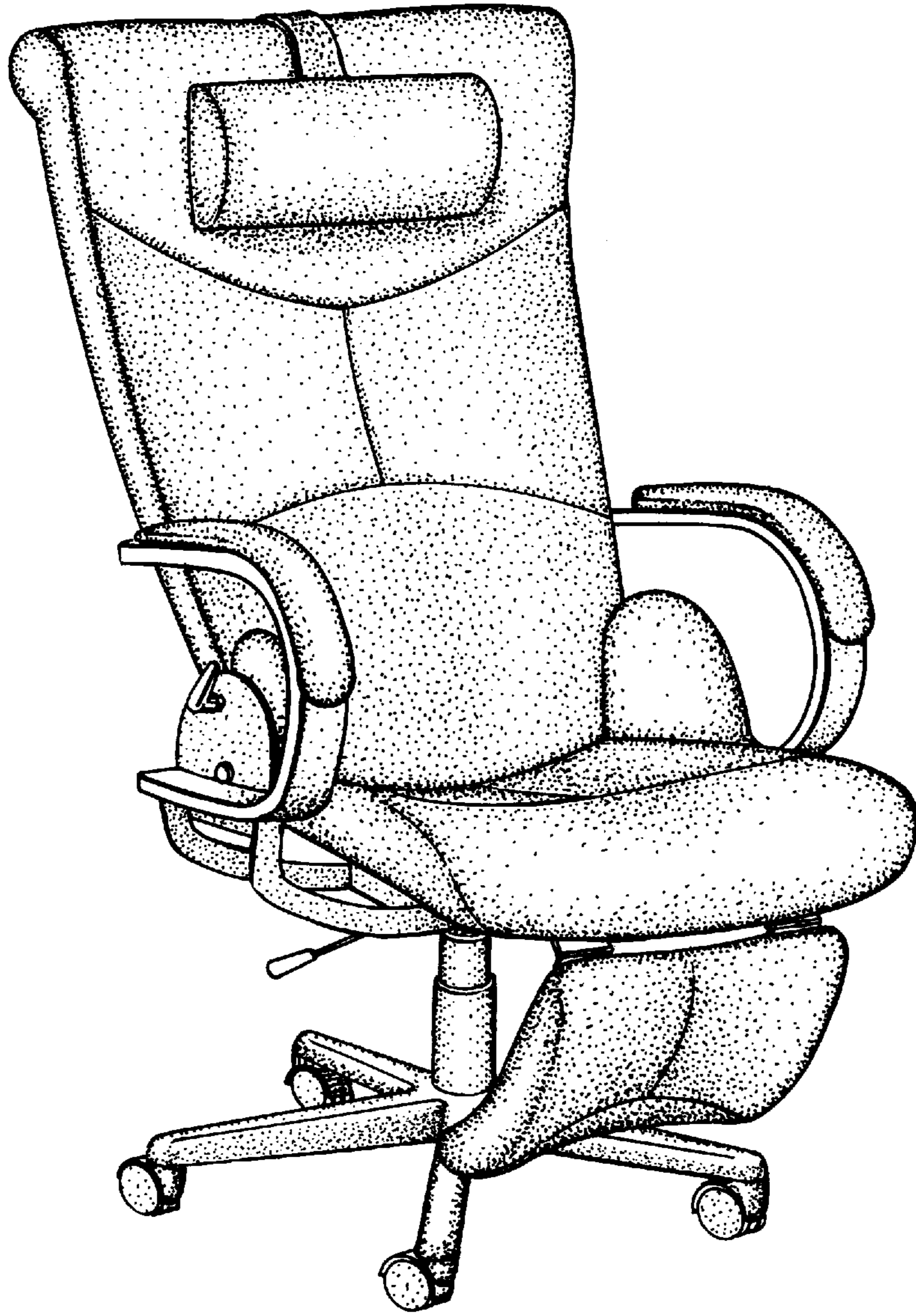


Fig. 1

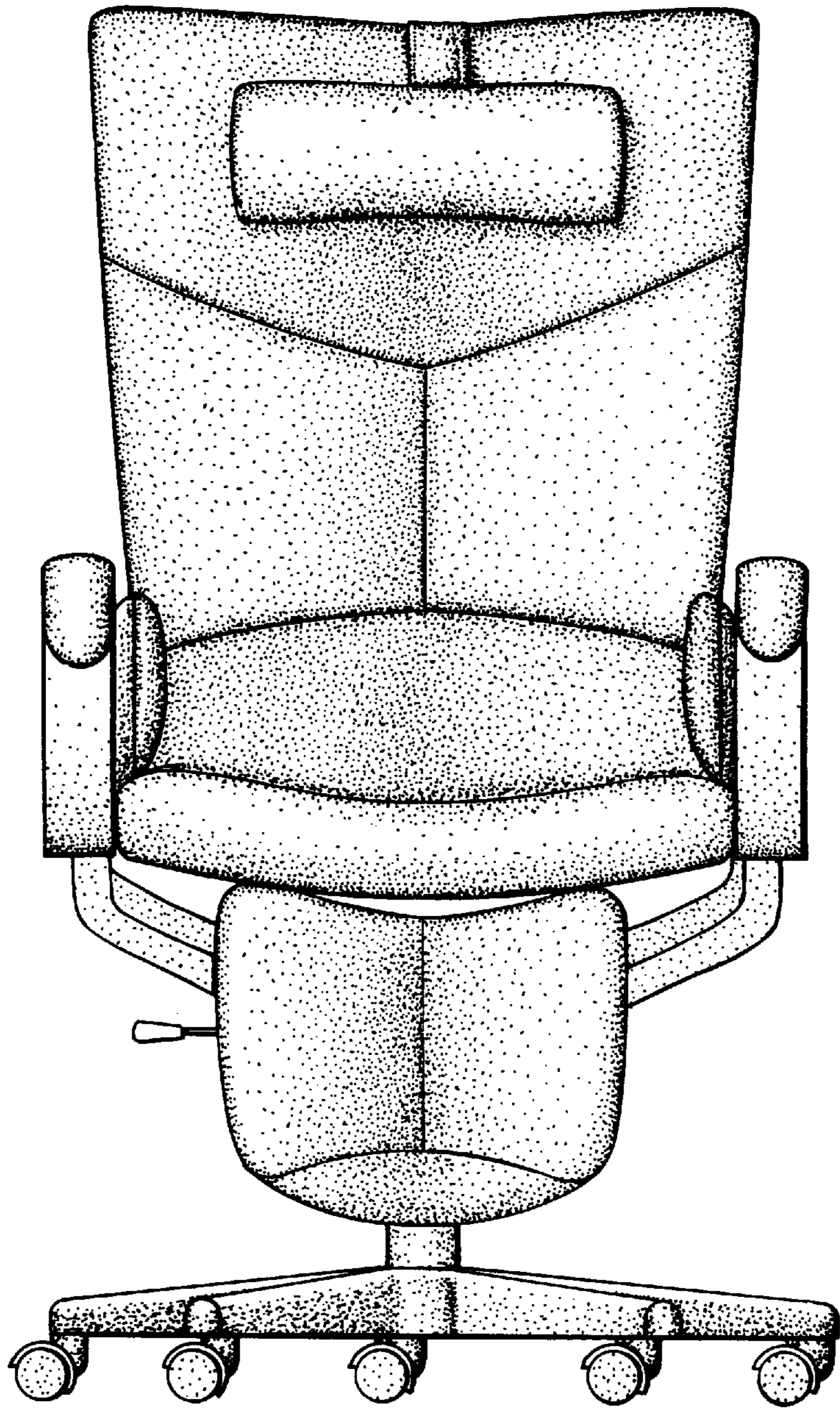


Fig. 2

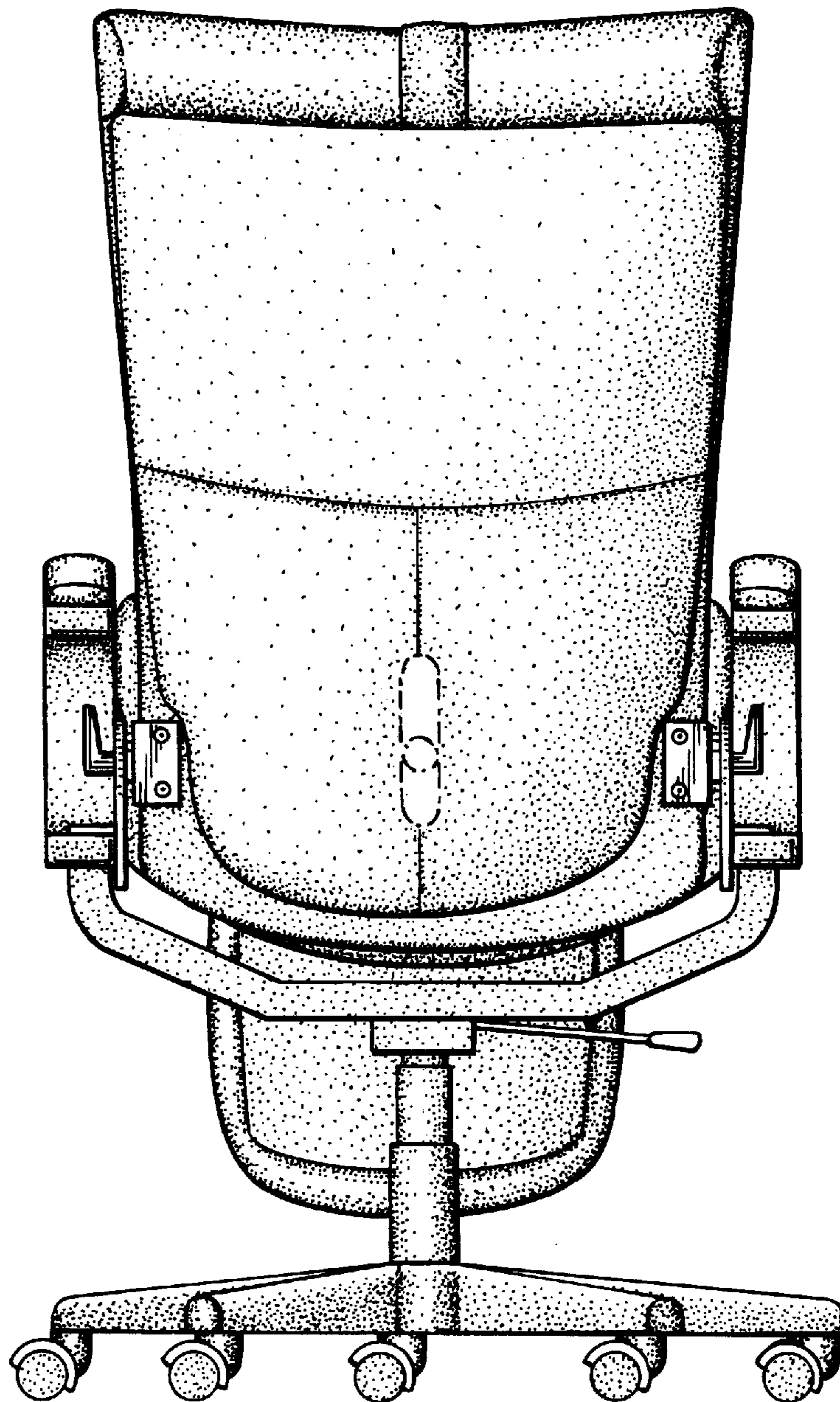


Fig. 3

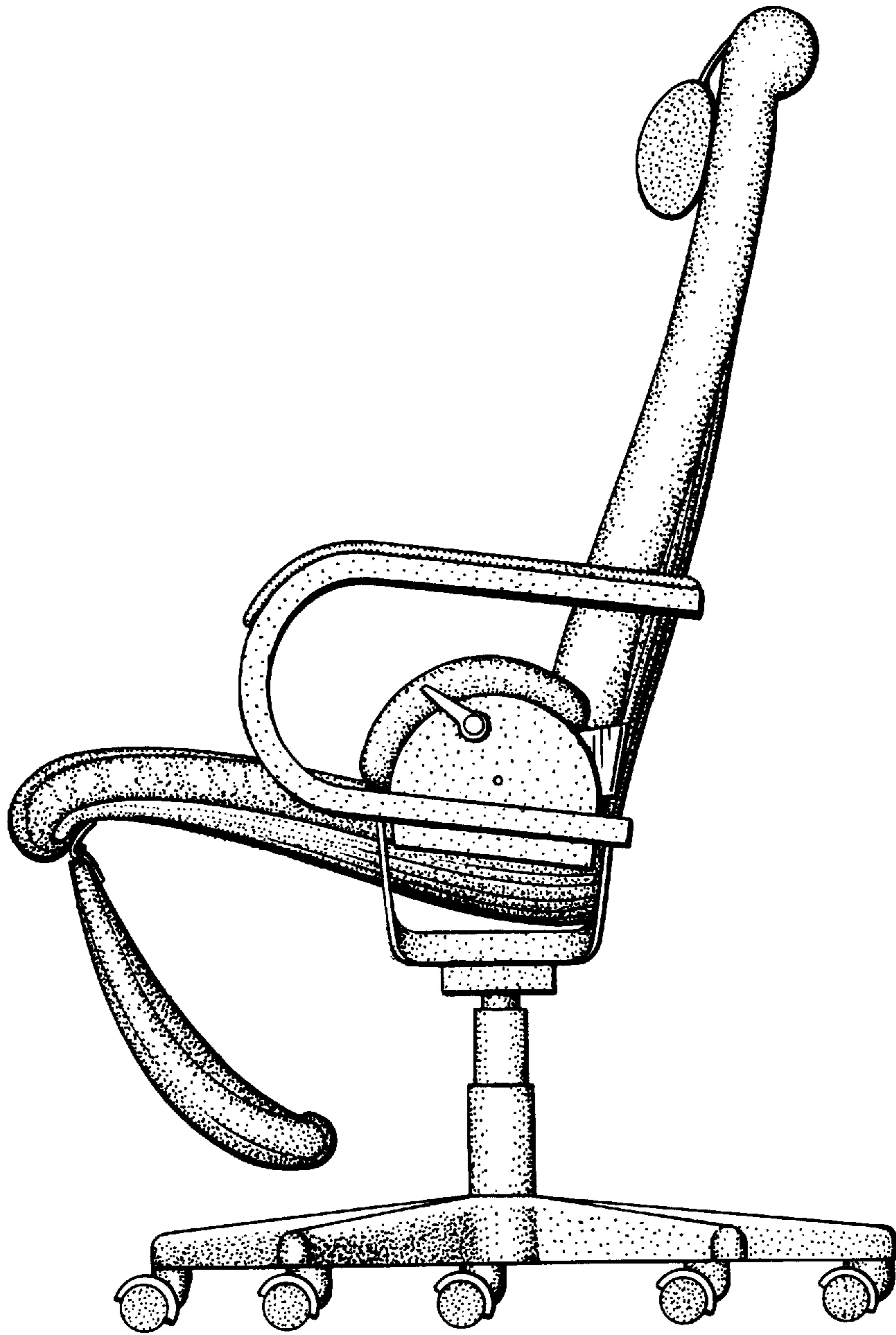


Fig. 4

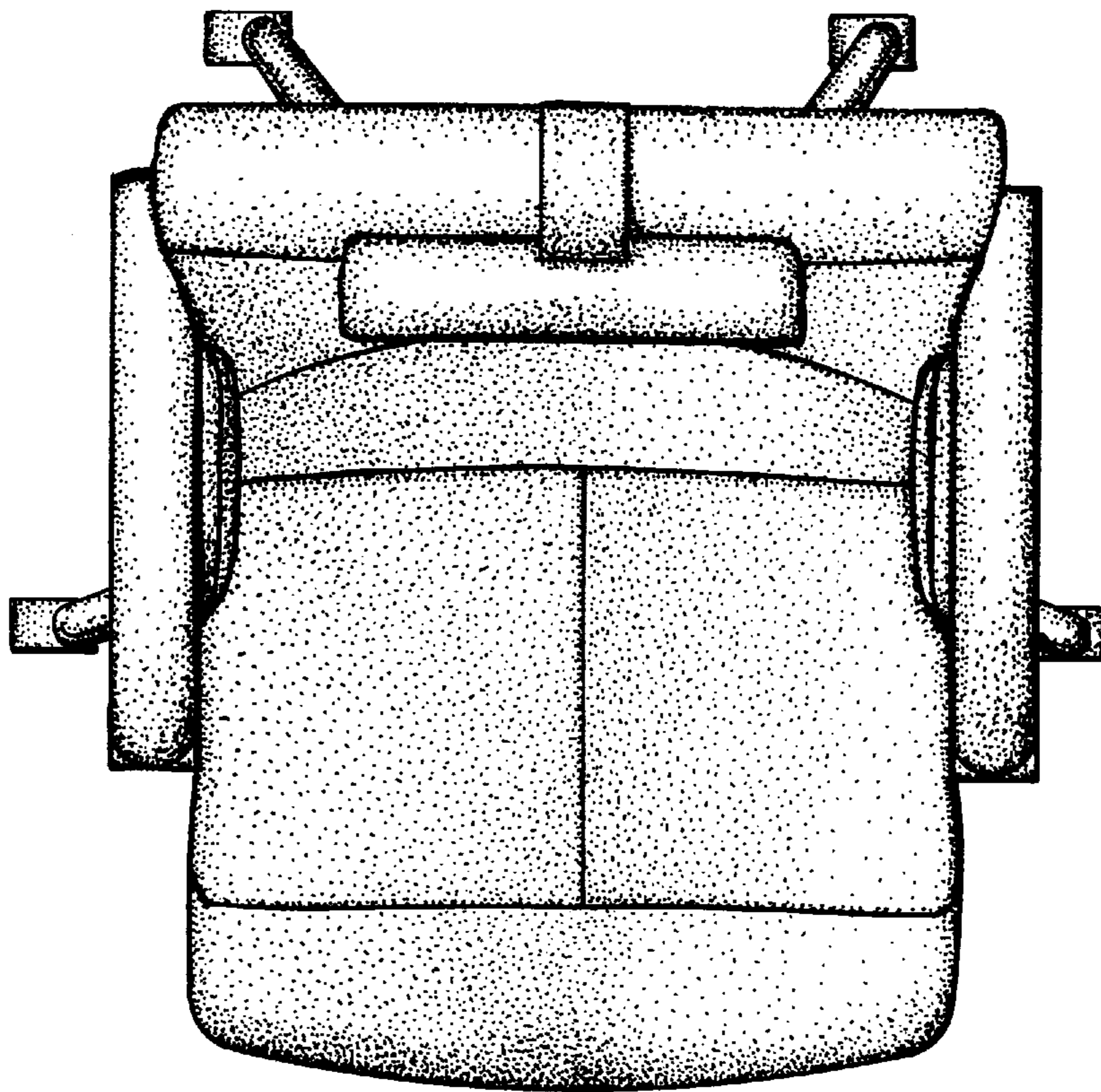


Fig. 5

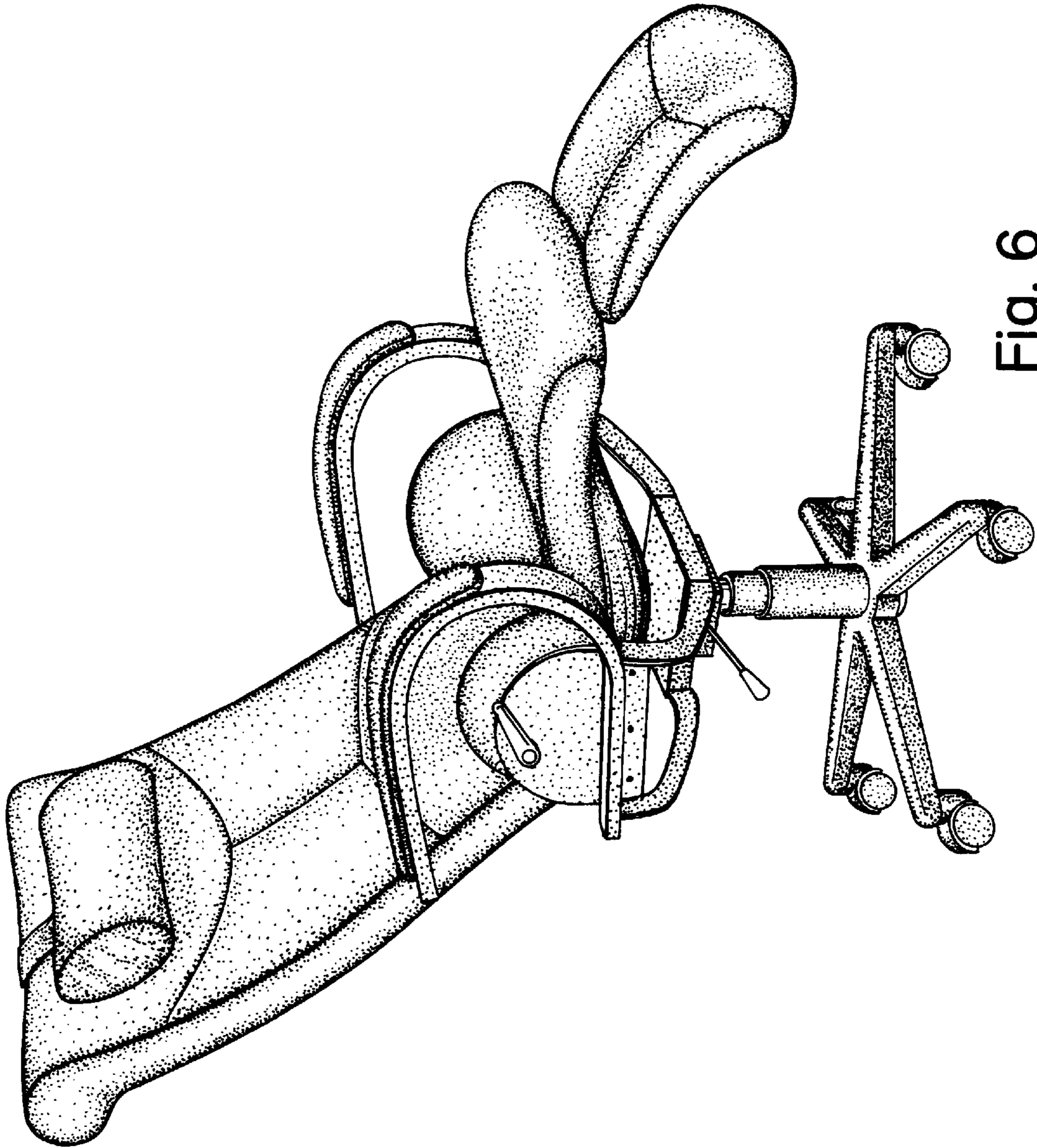


Fig. 6

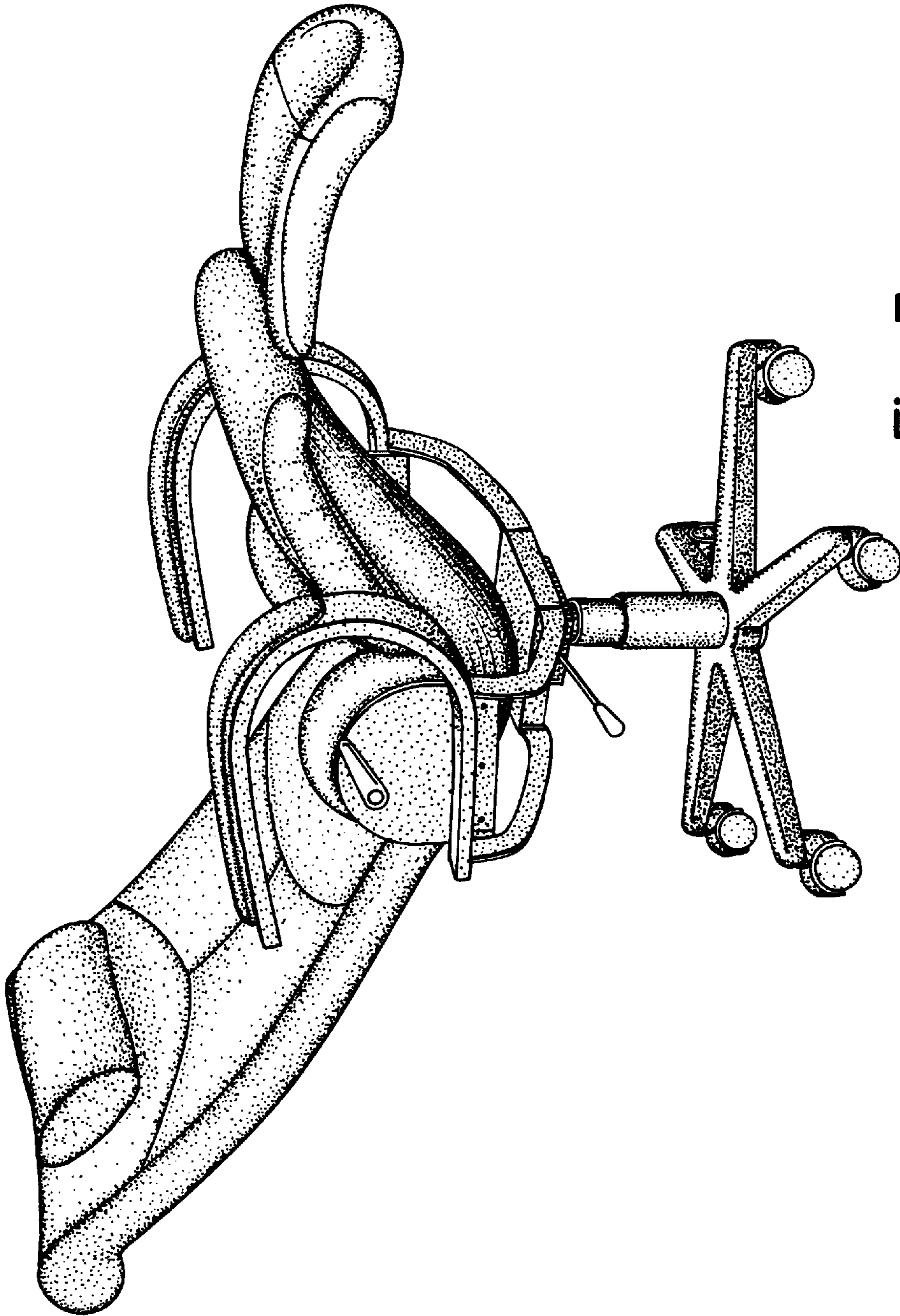


Fig. 7