



US00D401071S

# United States Patent [19]

Laster

[11] Patent Number: **Des. 401,071**

[45] Date of Patent: **\*\*Nov. 17, 1998**

[54] **BRUSH ATTACHMENT FOR A SPRAY NOZZLE**

2,807,816 10/1957 O'Brien ..... 401/288 X  
3,371,370 3/1968 Feser ..... 401/46

[76] Inventor: **Victor J. Laster**, 5901 Brassie Ridge La., Ellenwood, Ga. 30049

*Primary Examiner*—Alan P. Douglas  
*Assistant Examiner*—Lavone D. Tabor  
*Attorney, Agent, or Firm*—James B. Middleton

[\*\*] Term: **14 Years**

[57] **CLAIM**

[21] Appl. No.: **52,082**

The ornamental design for a brush attachment for a spray nozzle, as shown and described.

[22] Filed: **Mar. 22, 1996**

**DESCRIPTION**

[51] **LOC (6) Cl.** ..... **04-01**

[52] **U.S. Cl.** ..... **D4/115; D4/127; D23/239**

[58] **Field of Search** ..... D4/114-115, 127, D4/130; 15/24, 28, 29, 159.1, 160; 401/40-46, 288-291; D23/228, 239; 239/289

FIG. 1 is a front elevational view of a brush attachment for a spray nozzle embodying my new design, the top plan, bottom plan and rear elevational views being the same as the front elevational view, the portion shown in broken lines forming no part of the inventive design;

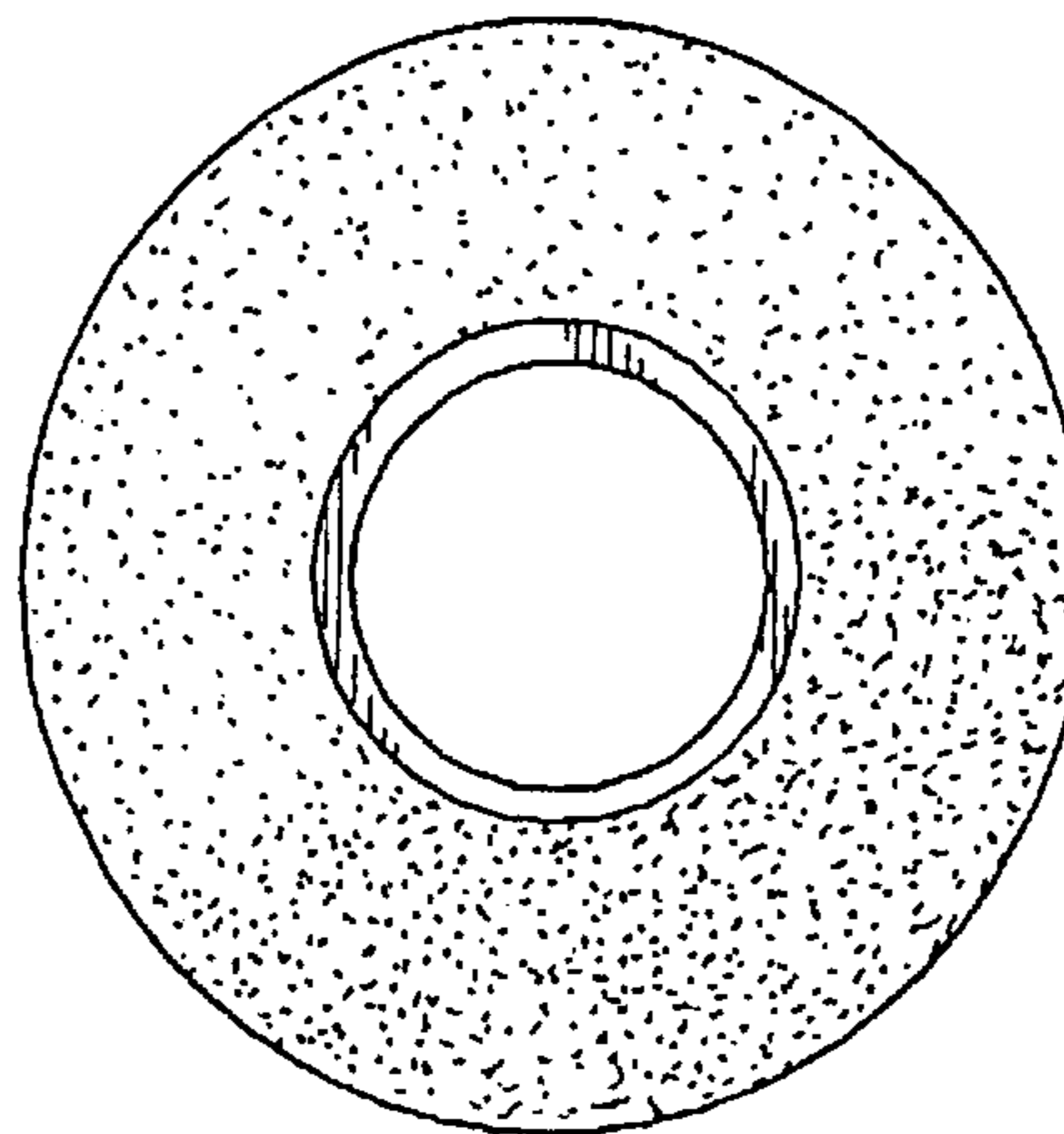
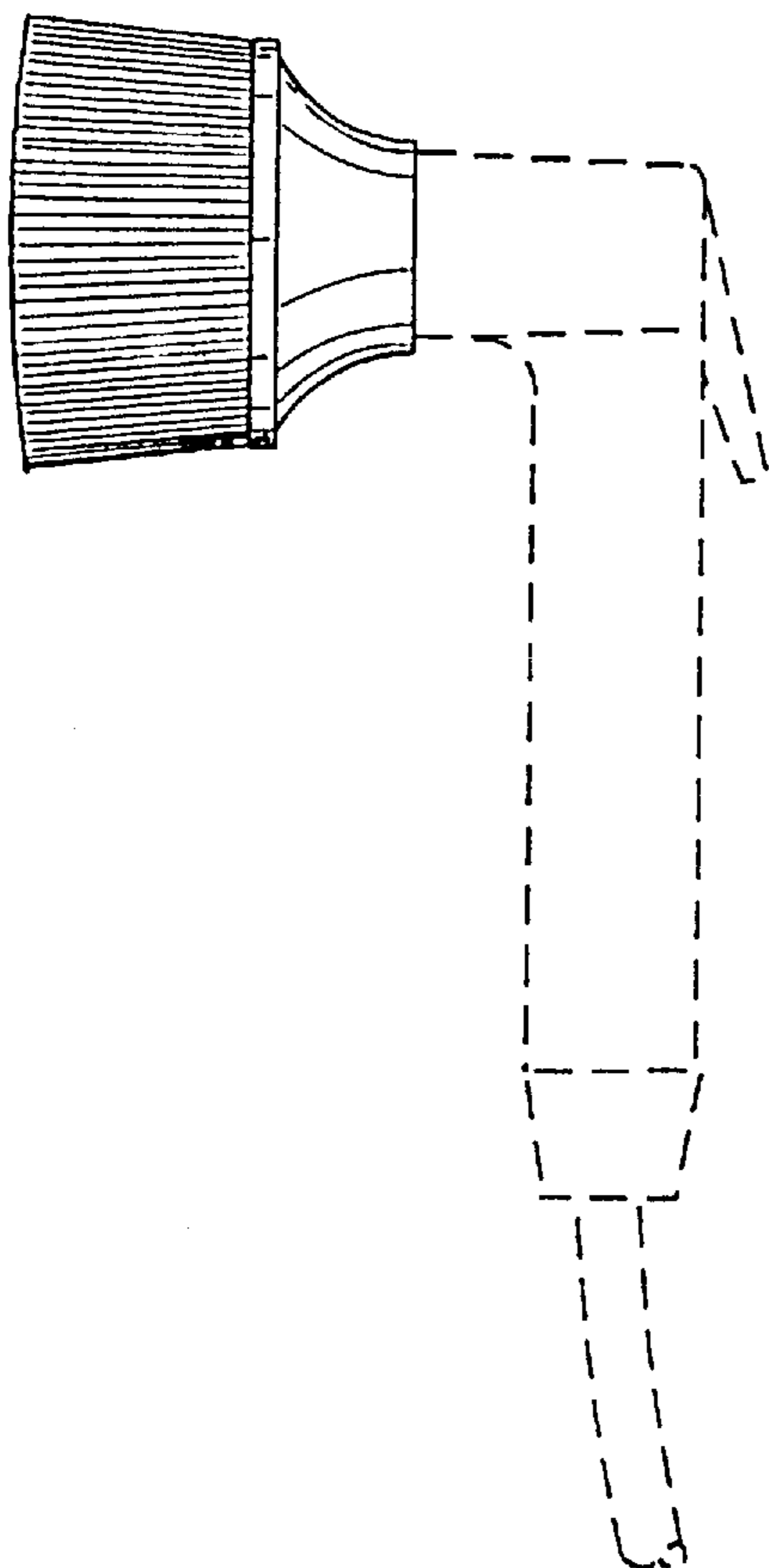
[56] **References Cited**

**U.S. PATENT DOCUMENTS**

D. 317,988 7/1991 Nicholson ..... D4/115  
D. 326,019 5/1992 Spangler et al. .... D4/115 X  
2,508,958 5/1950 Manville ..... 401/46  
2,602,698 7/1952 Wyckoff ..... 401/288 X

FIG. 2 is an exploded view of the design shown in FIG. 1; FIG. 3 is a right side elevational view thereof; FIG. 4 is a left side elevational view thereof; and, FIG. 5 is a view similar to FIG. 1 but showing the brush portion in cross-section.

**1 Claim, 1 Drawing Sheet**



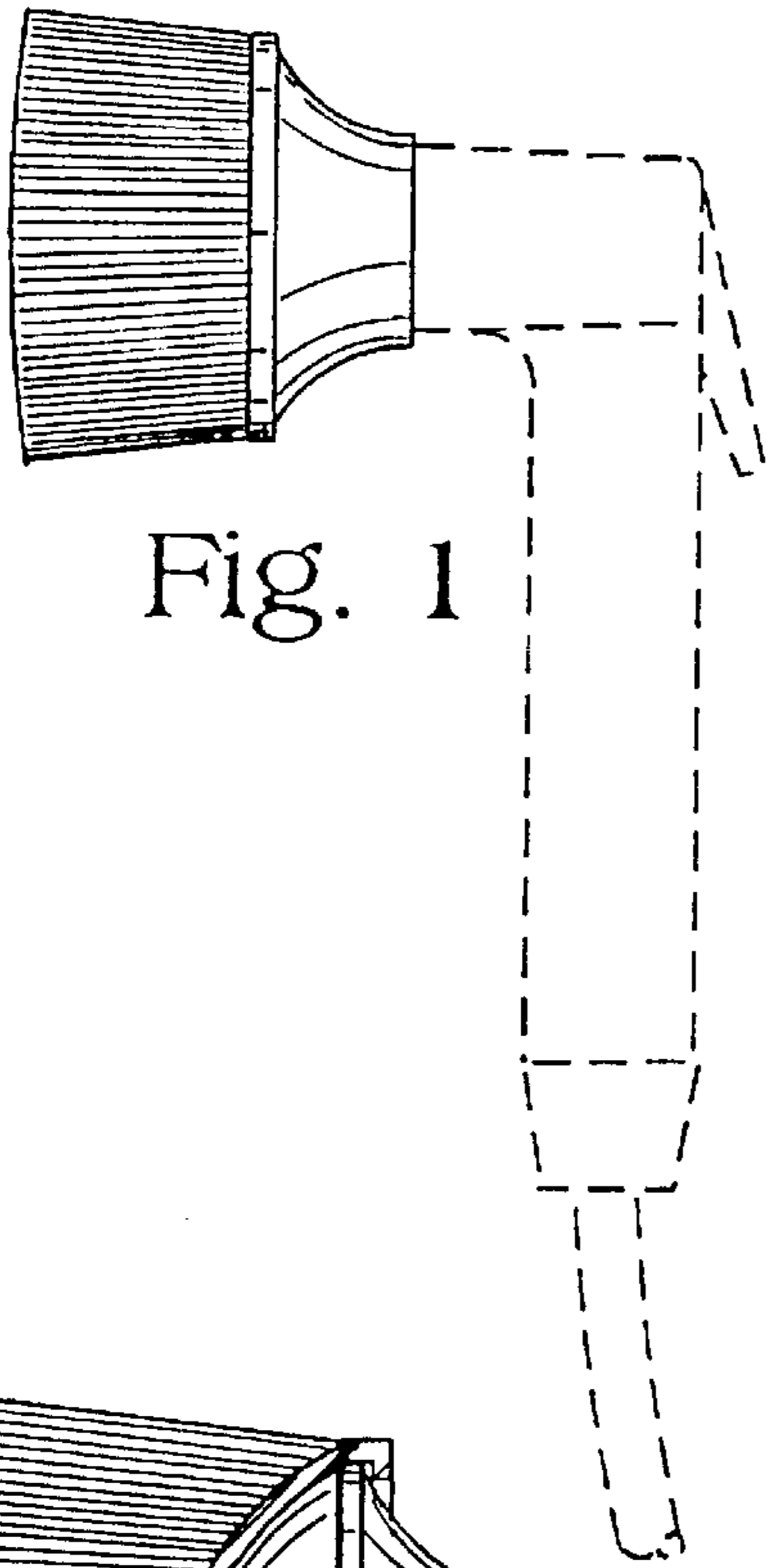


Fig. 1

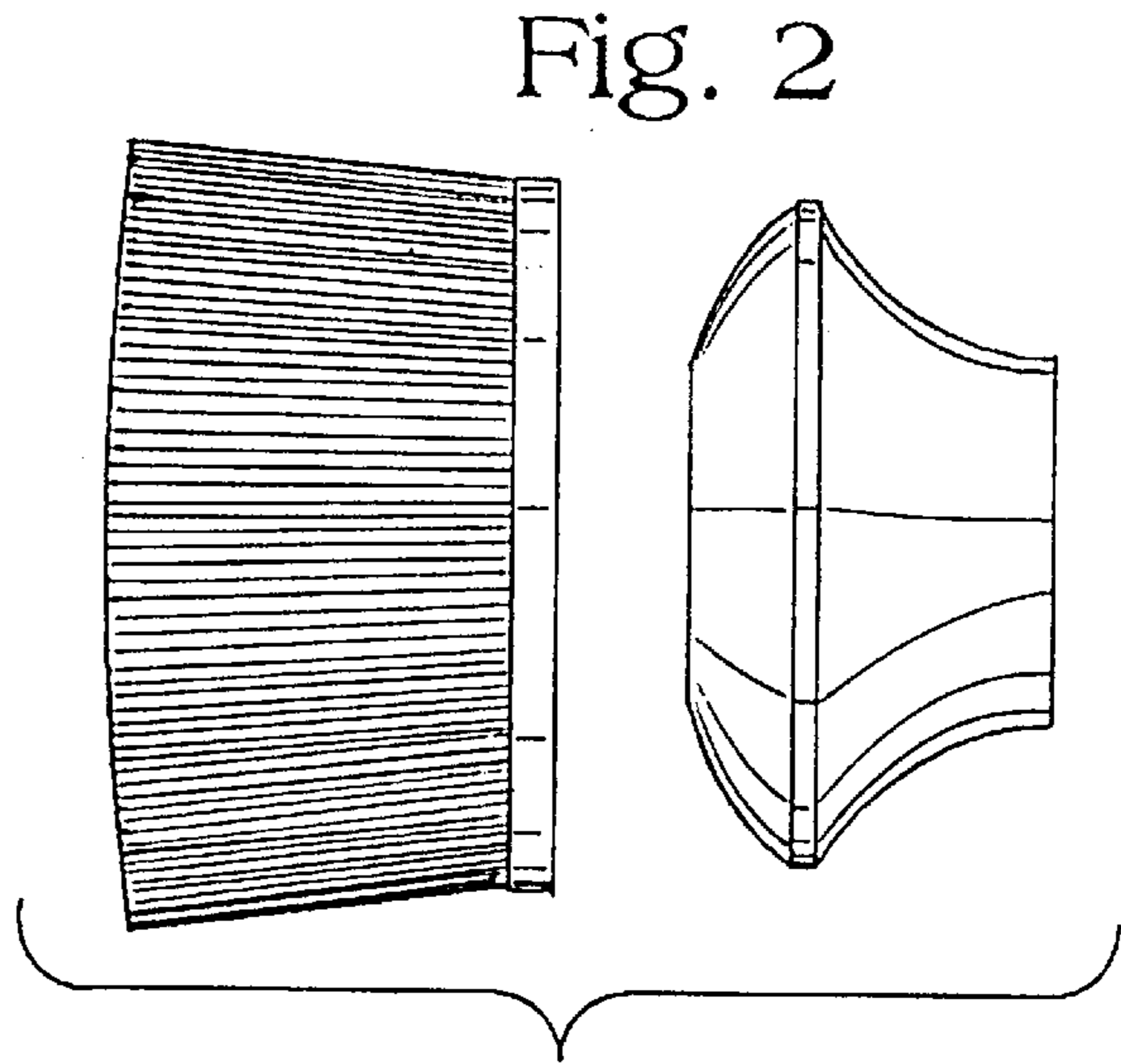


Fig. 2

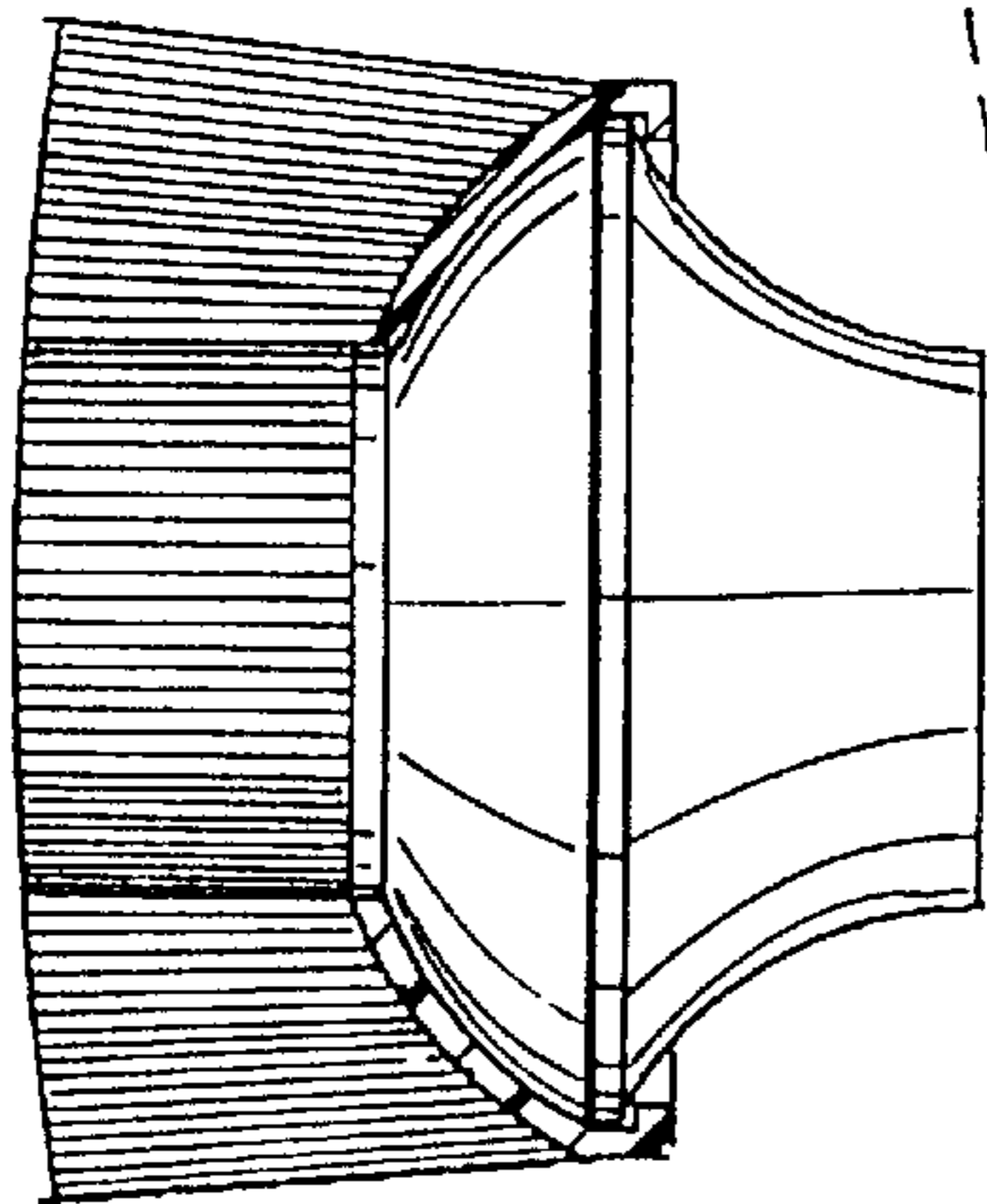


Fig. 5

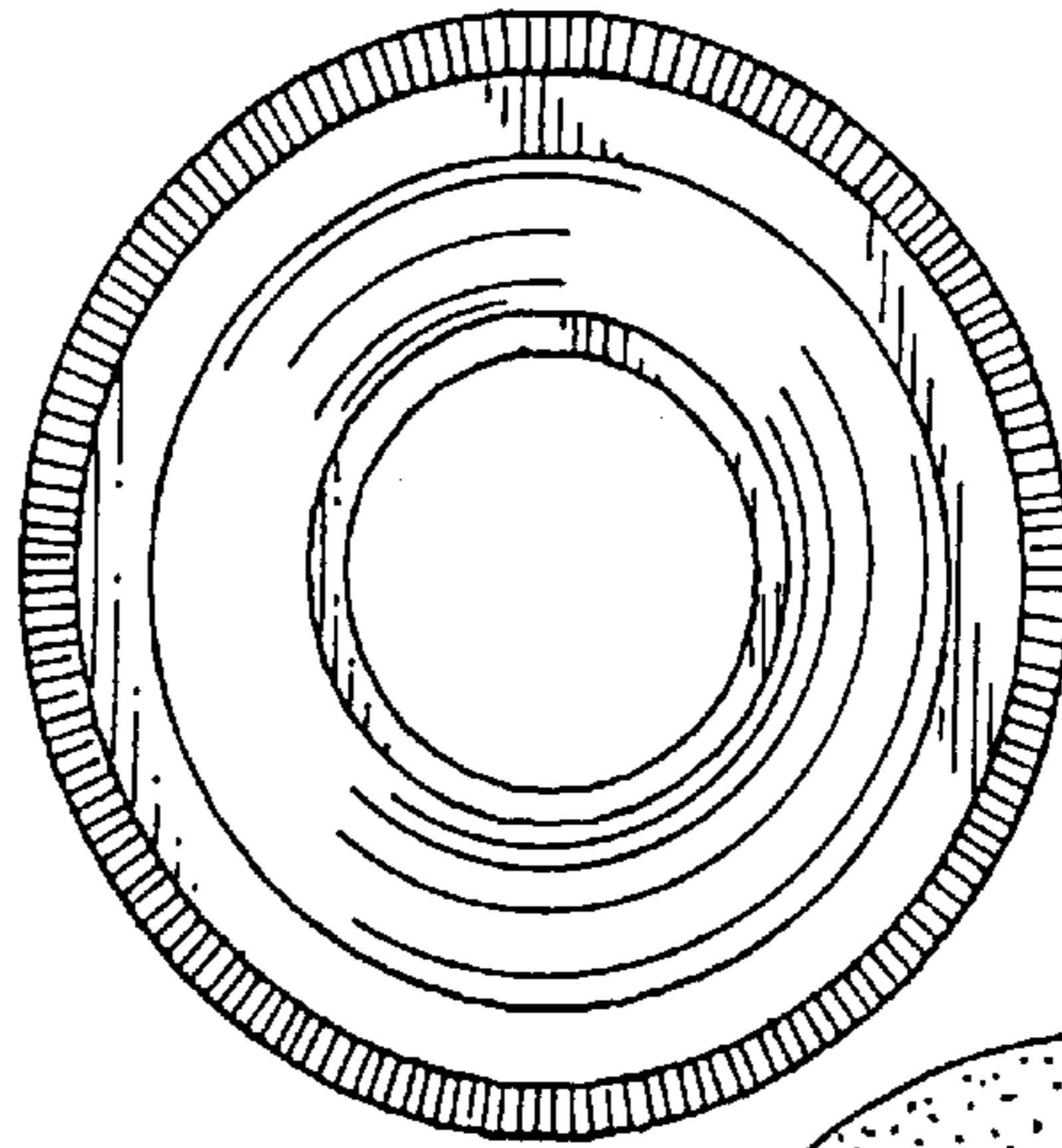


Fig. 3

Fig. 4

