



US00D401067S

**United States Patent** [19]  
**Hampshire**

[11] **Patent Number: Des. 401,067**

[45] **Date of Patent: \*\*Nov. 17, 1998**

[54] **TOTE**

[75] Inventor: **James Hampshire**, Solon, Ohio

[73] Assignee: **InterDesign, Inc.**, Solon, Ohio

[\*\*] Term: **14 Years**

[21] Appl. No.: **73,052**

[22] Filed: **Jun. 30, 1997**

[51] **LOC (6) Cl.** ..... **03-01**

[52] **U.S. Cl.** ..... **D3/309; D3/306**

[58] **Field of Search** ..... D3/304, 307-314;  
D9/424, 425, 432; 16/120; 206/503, 506,  
511; 220/676, 753, 755, 768, 775

[56] **References Cited**

**U.S. PATENT DOCUMENTS**

D. 330,984 11/1992 Hampshire ..... D3/309

D. 372,583 8/1996 Brightbill ..... D3/314  
441,343 11/1890 Warner ..... 16/120  
1,420,851 6/1922 Lindhorst ..... 220/755  
1,948,202 2/1934 Chapman ..... D3/306 X

*Primary Examiner*—Sandra L. Morris  
*Assistant Examiner*—Richelle Shelton  
*Attorney, Agent, or Firm*—D. Peter Hochberg

[57] **CLAIM**

The ornamental design for a tote, as shown and described.

**DESCRIPTION**

FIG. 1 is a perspective view of a tote embodying my new design;

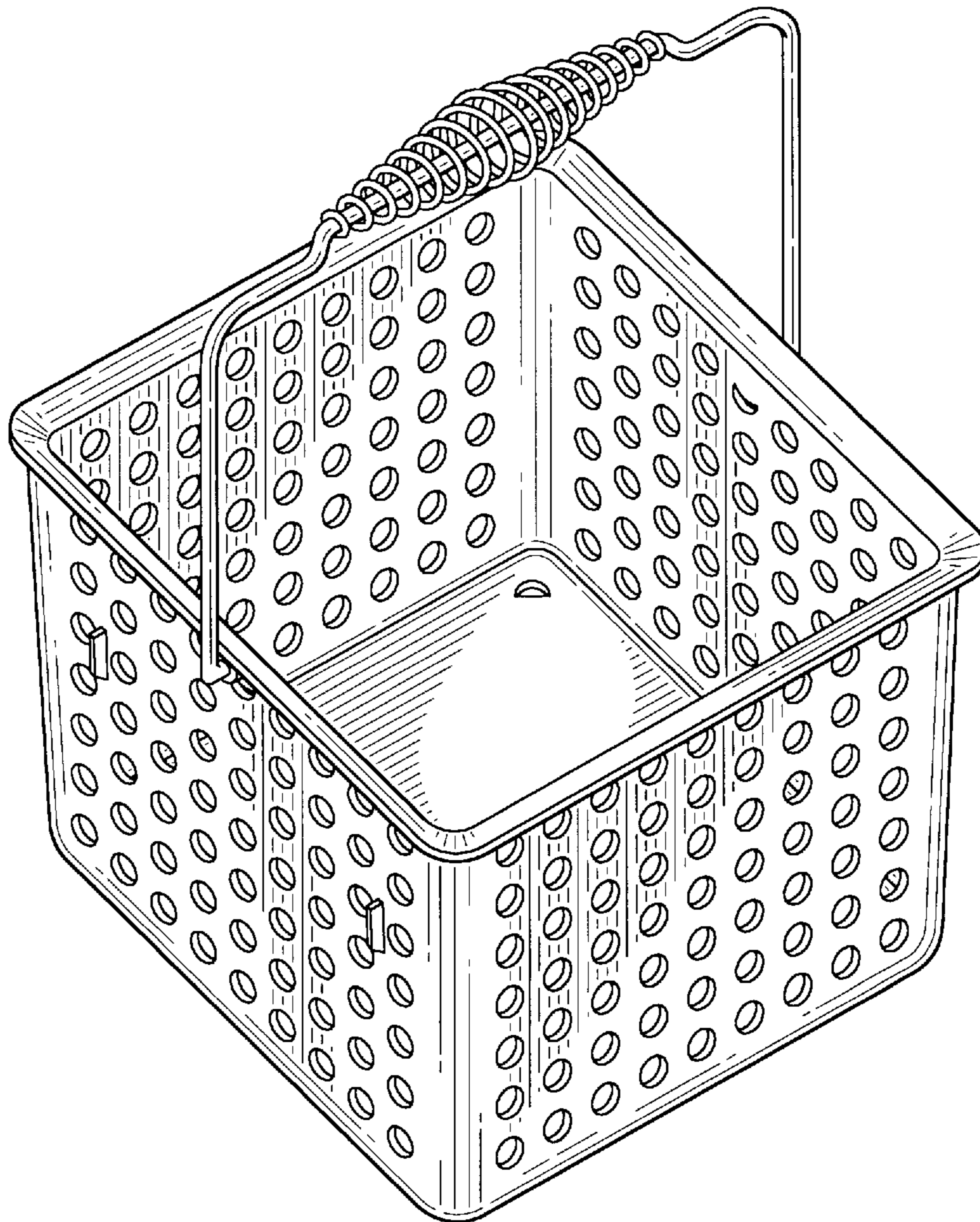
FIG. 2 is a top view of the tote shown in FIG. 1;

FIG. 3 is a side view of the tote shown in FIG. 1;

FIG. 4 is a bottom view of the tote in FIG. 1; and,

Fig. 5 is another side view of the tote shown in FIG. 1.

**1 Claim, 3 Drawing Sheets**



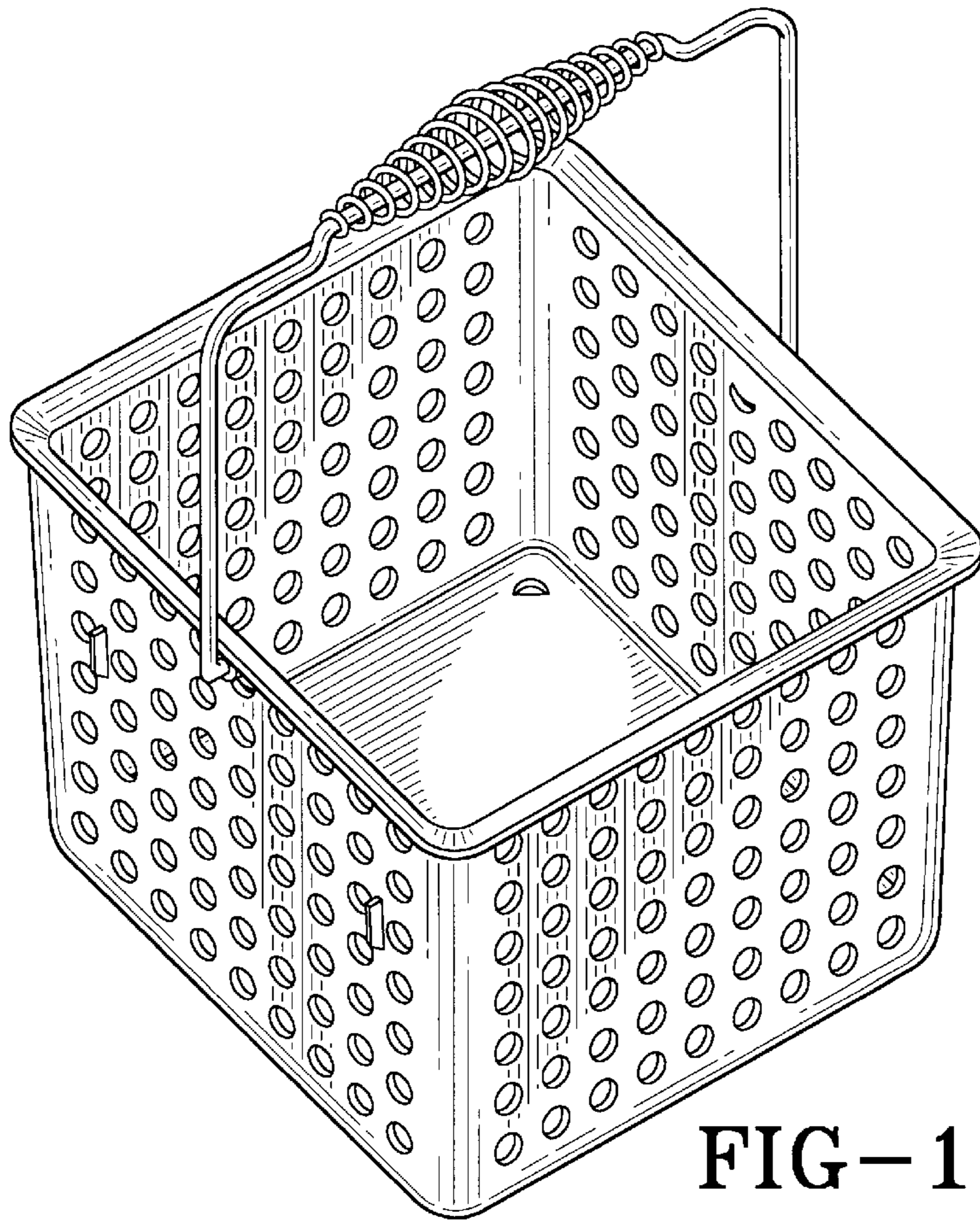


FIG-1

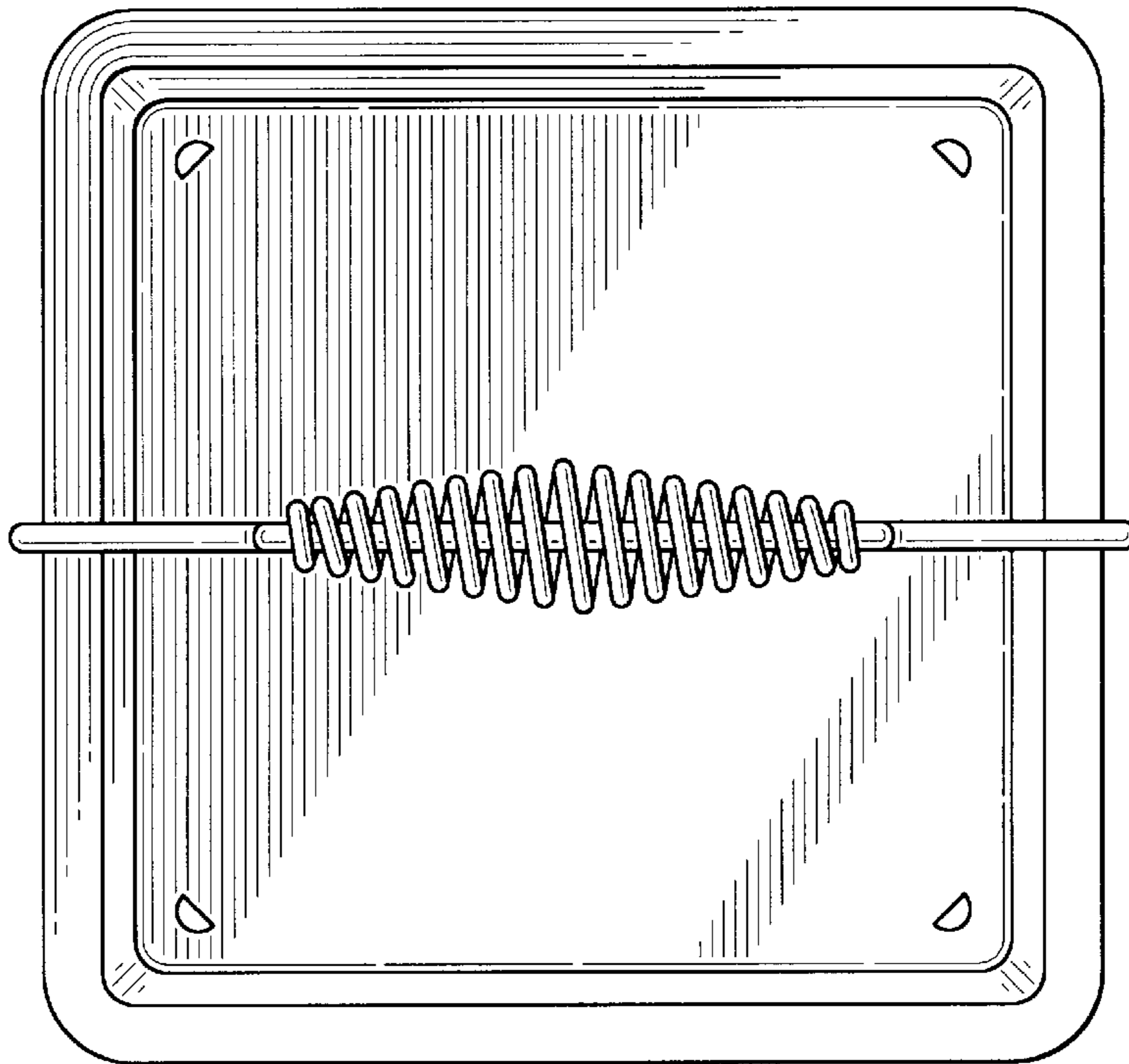


FIG-2

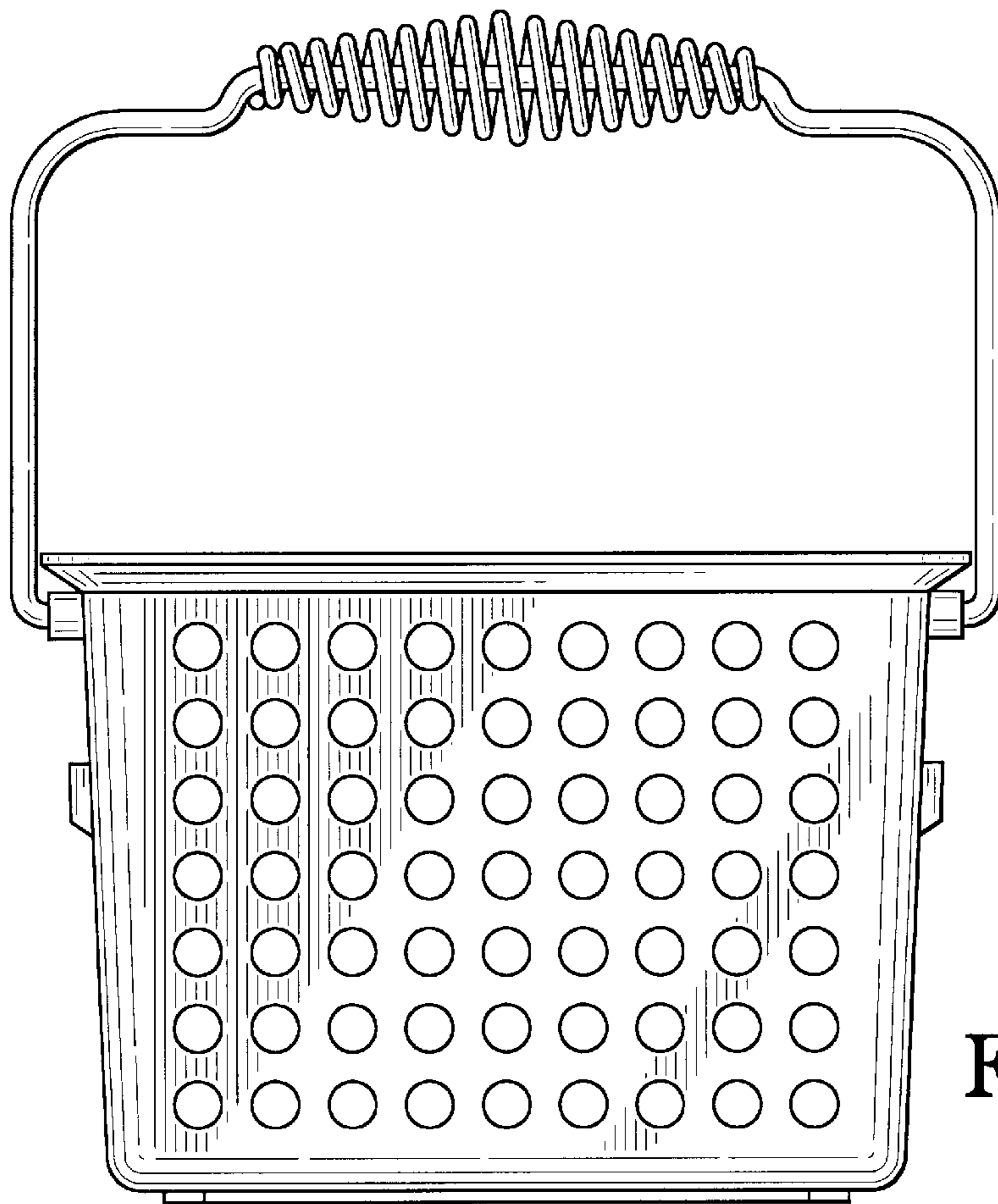


FIG-3

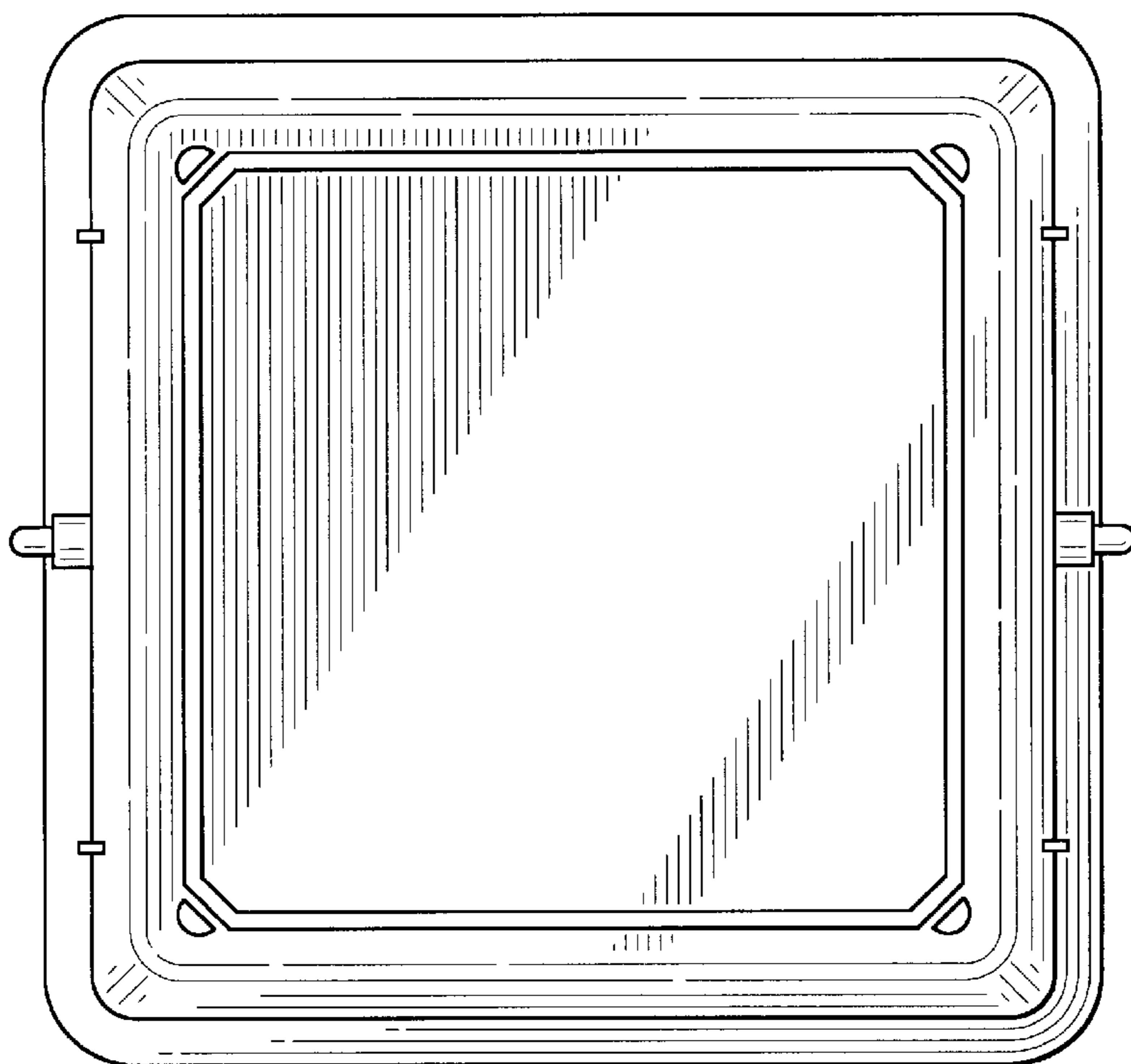


FIG-4

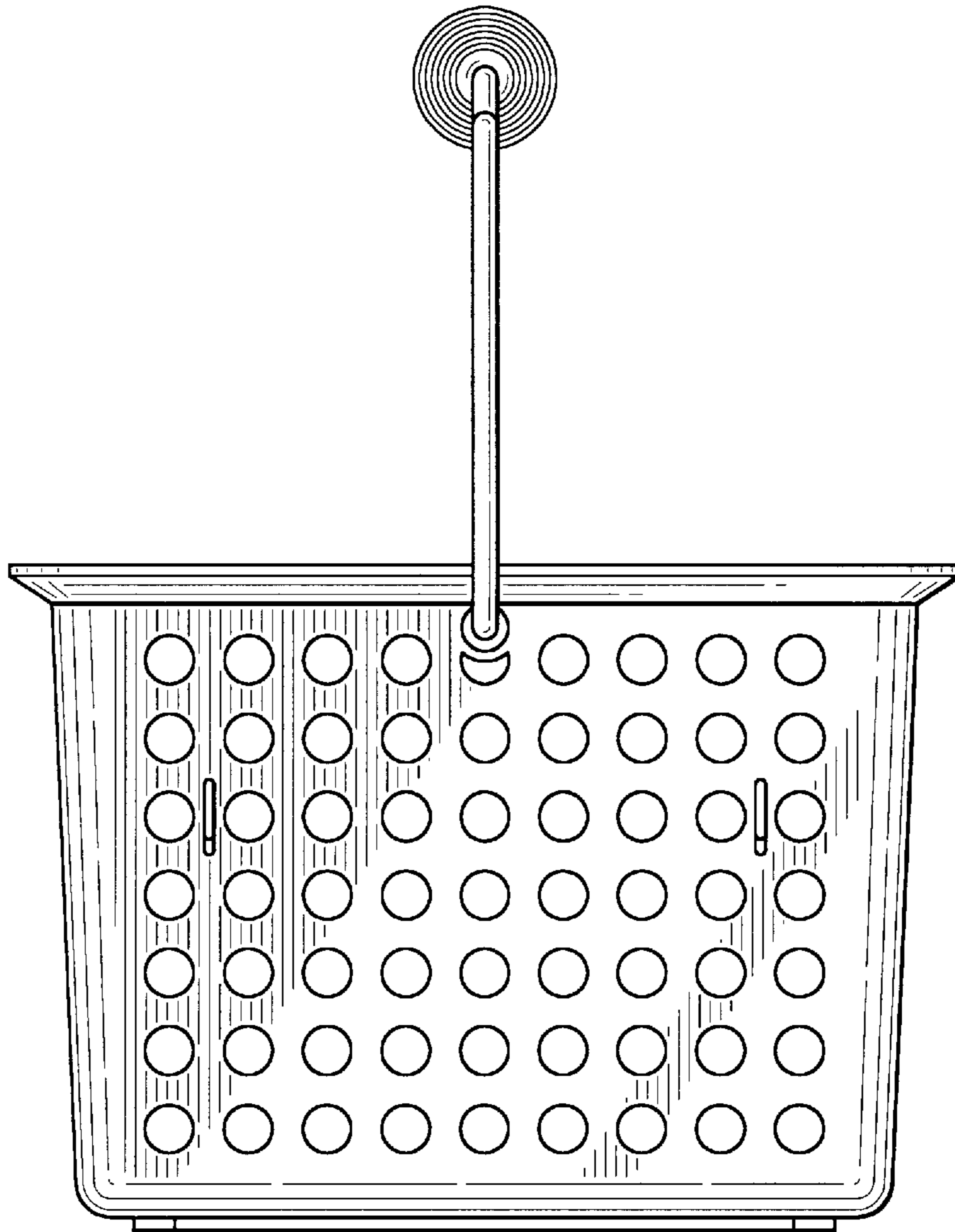


FIG-5