



US00D401062S

**United States Patent** [19]  
**Hauschild**

[11] **Patent Number: Des. 401,062**

[45] **Date of Patent: \*\*Nov. 17, 1998**

[54] **PISTOL CASE**

[76] Inventor: **Alan D. Hauschild**, 28908 W. Fox Trail, Lake Villa, Ill. 60046

[\*\*] Term: **14 Years**

[21] Appl. No.: **46,913**

[22] Filed: **Nov. 20, 1995**

[51] **LOC (6) Cl. .... 03-01**

[52] **U.S. Cl. .... D3/287; D3/283**

[58] **Field of Search** ..... D3/283, 284, 285,  
D3/286, 287, 288, 289; 190/110, 109, 111,  
112, 113, 114, 115

[56] **References Cited**

**U.S. PATENT DOCUMENTS**

D. 285,748	9/1986	Feinberg et al. ....	D3/286
D. 291,149	8/1987	Smith .....	D3/287
D. 311,452	10/1990	Ehret .....	D3/286
D. 313,888	1/1991	Workman .....	D3/286
4,210,186	7/1980	Belenson .....	190/110
4,301,898	11/1981	Plough et al. ....	190/109
4,610,286	9/1986	Cyr .....	190/110
4,830,154	5/1989	Gerch et al. ....	190/111
5,413,199	5/1995	Clement .....	190/110

*Primary Examiner*—Philip S. Hyder

*Attorney, Agent, or Firm*—Ladas & Parry

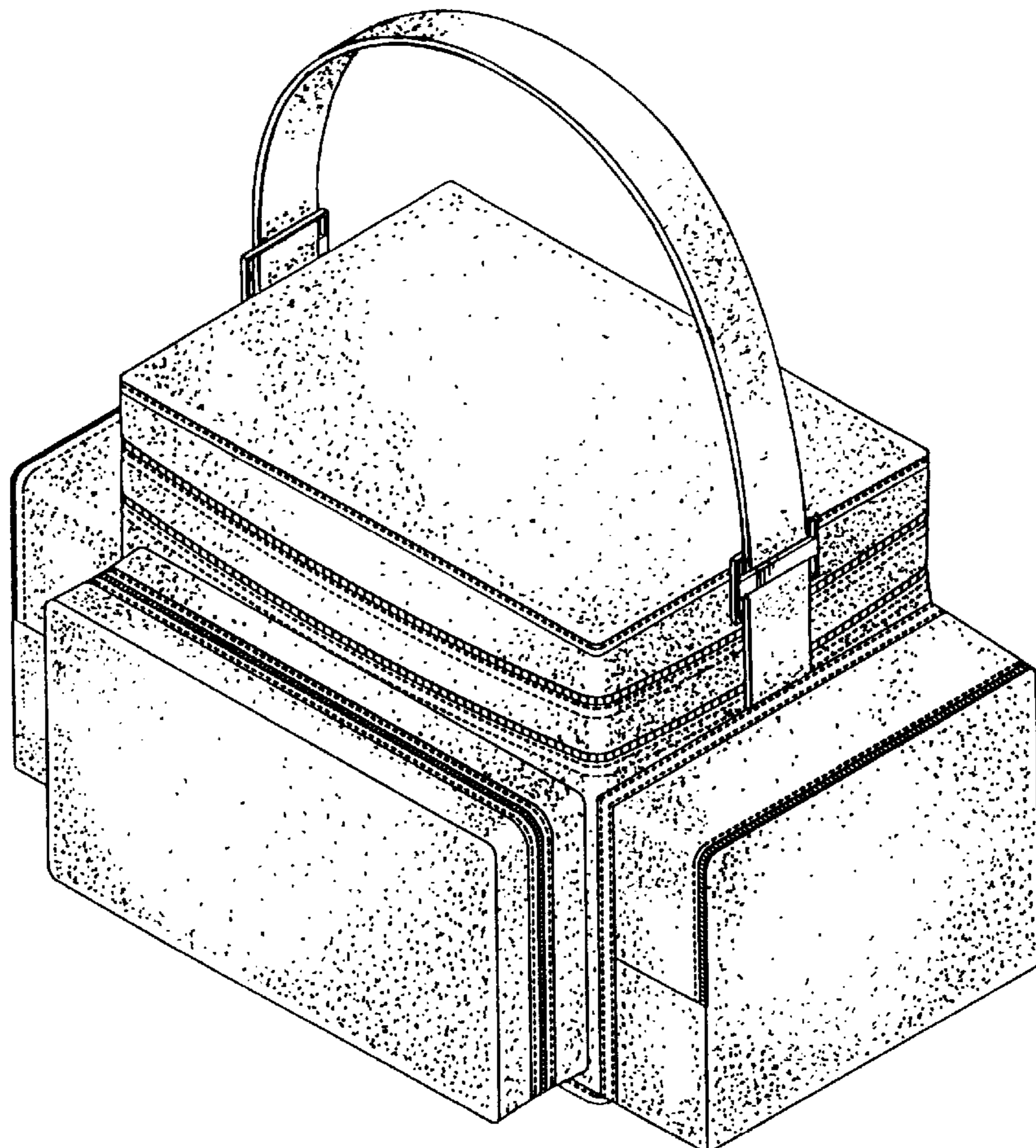
[57] **CLAIM**

The ornamental design for a pistol case, as shown and described.

**DESCRIPTION**

FIG. 1 is a top, front and right side exploded perspective view of a pistol case showing my new design; FIG. 2 is a top, front and right perspective view of the pistol case of FIG. 1 in an assembled state; FIG. 3 is a front elevational view thereof; FIG. 4 is a right side elevational view thereof; FIG. 5 is a left side elevational view thereof; FIG. 6 is a top plan view thereof; FIG. 7 is a bottom plan view thereof; FIG. 8 is a rear elevational view thereof; FIG. 9 is a perspective view of the front of one of the inserts shown in FIG. 1; FIG. 10 is a perspective view of the back of the insert shown in FIG. 9; FIG. 11 is a perspective view of the front of another insert shown in FIG. 1; FIG. 12 is a perspective view of the back of the insert of FIG. 11; and FIG. 13 is a perspective view from the bottom of a removable case shown in the exploded perspective view of FIG. 1.

**1 Claim, 5 Drawing Sheets**



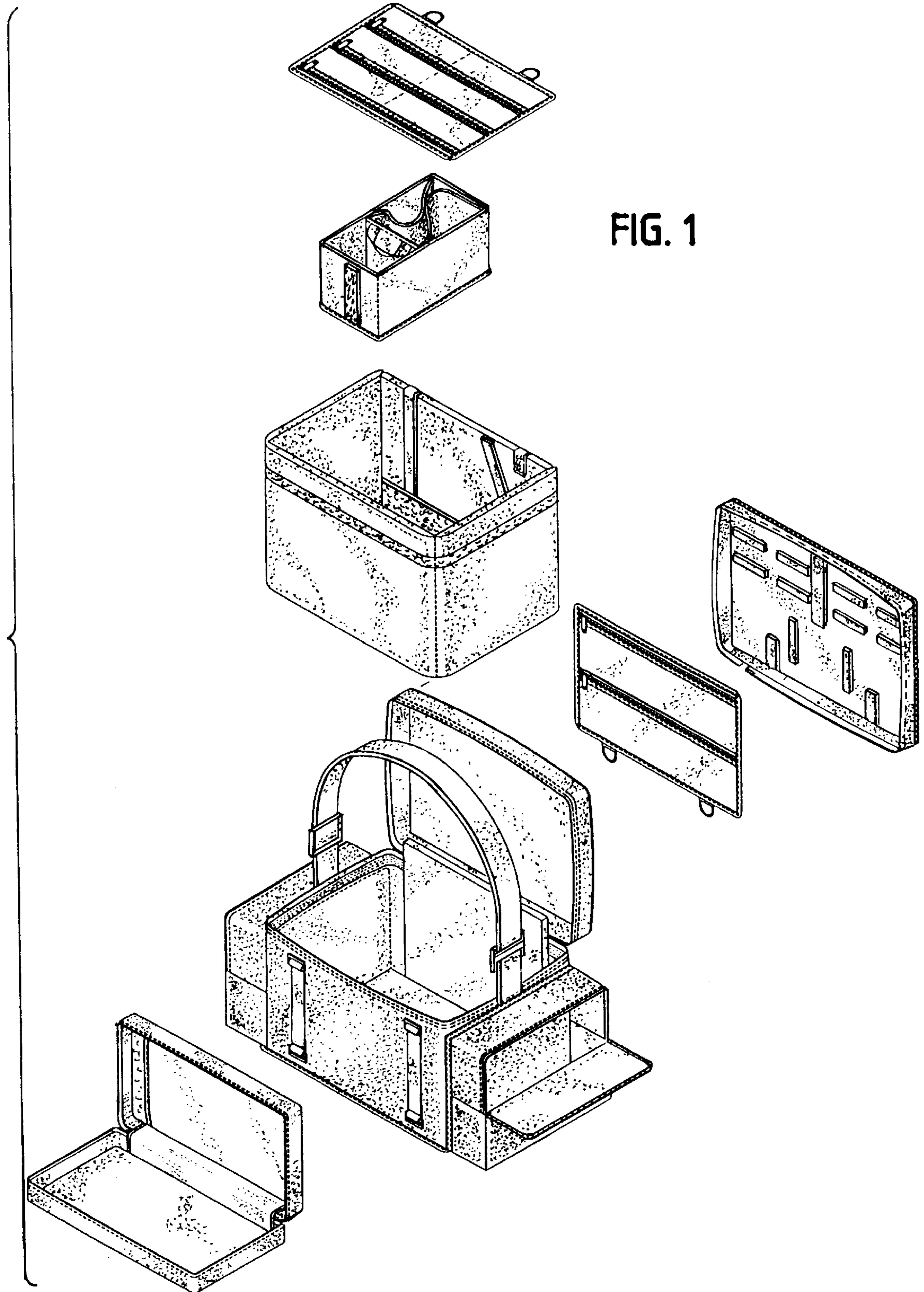


FIG. 1

FIG. 2

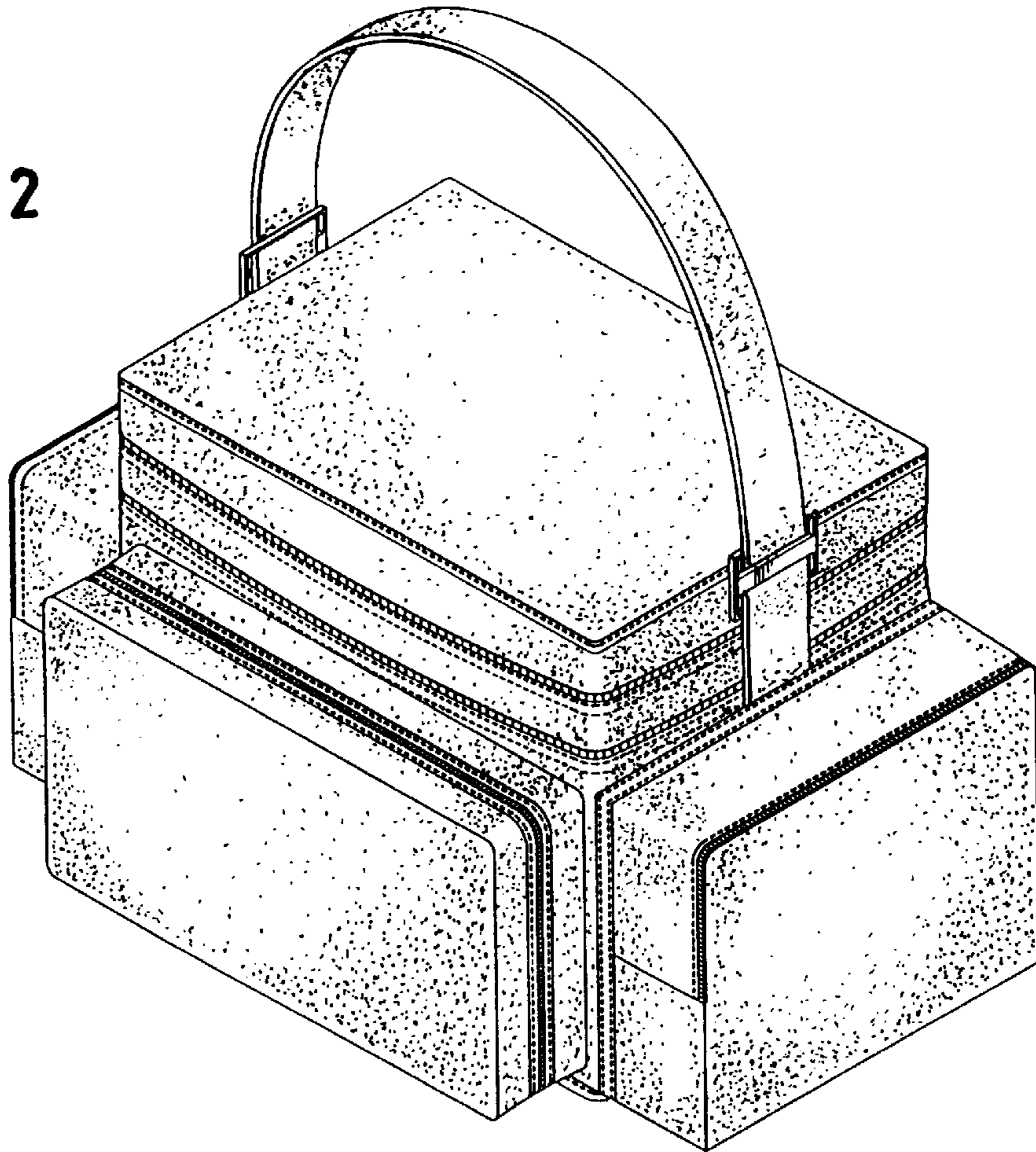


FIG. 3

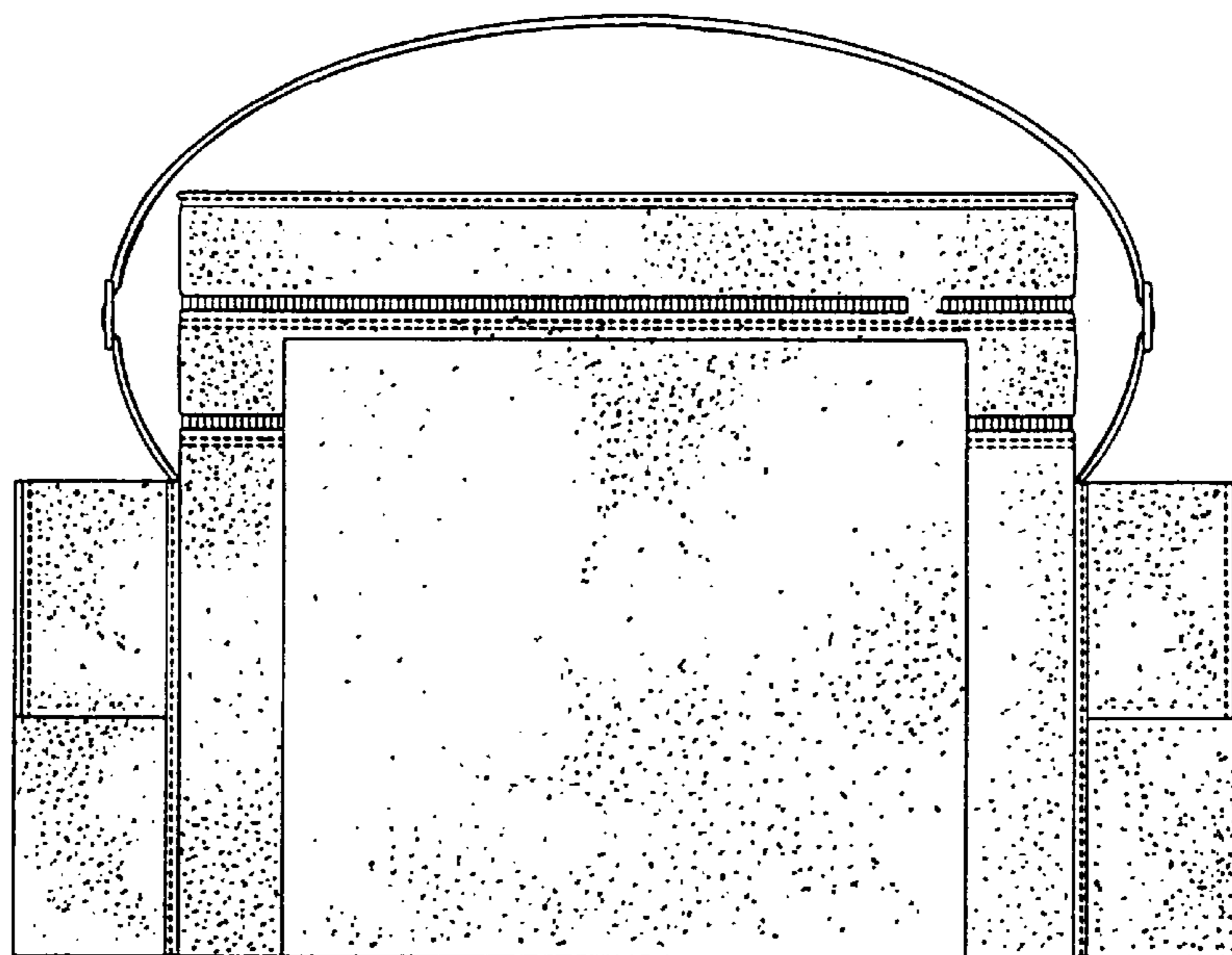


FIG. 4

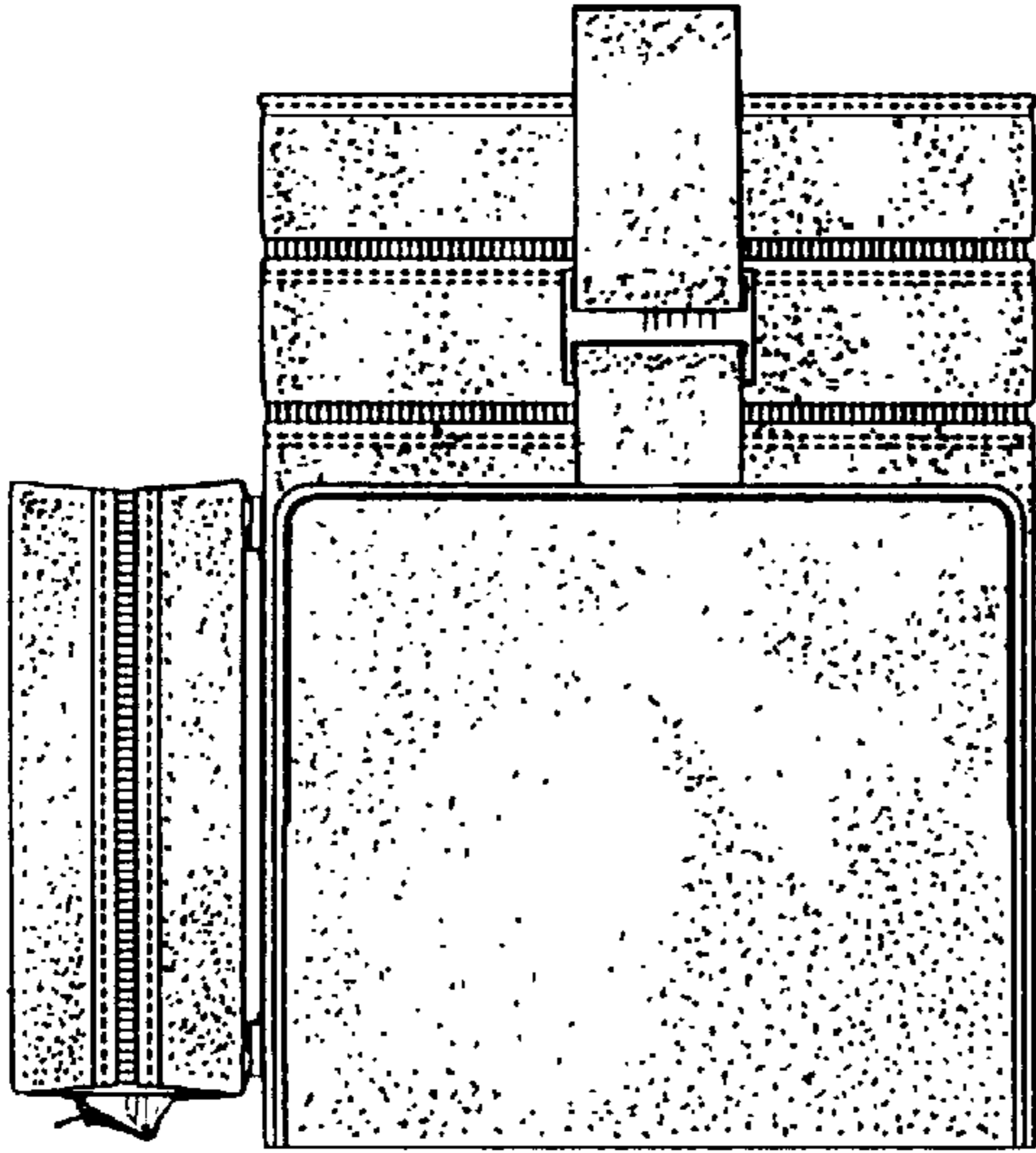


FIG. 5

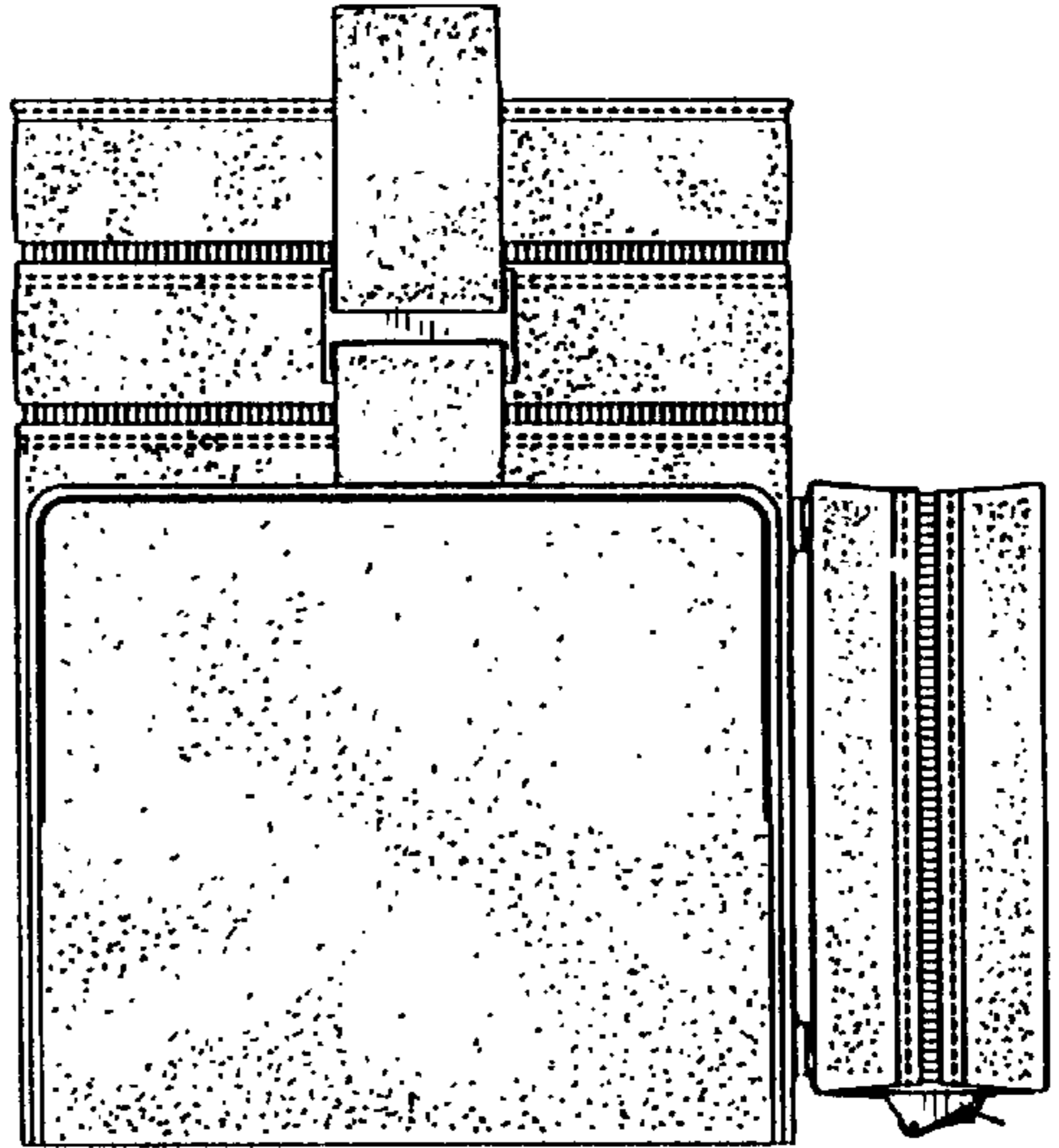


FIG. 6

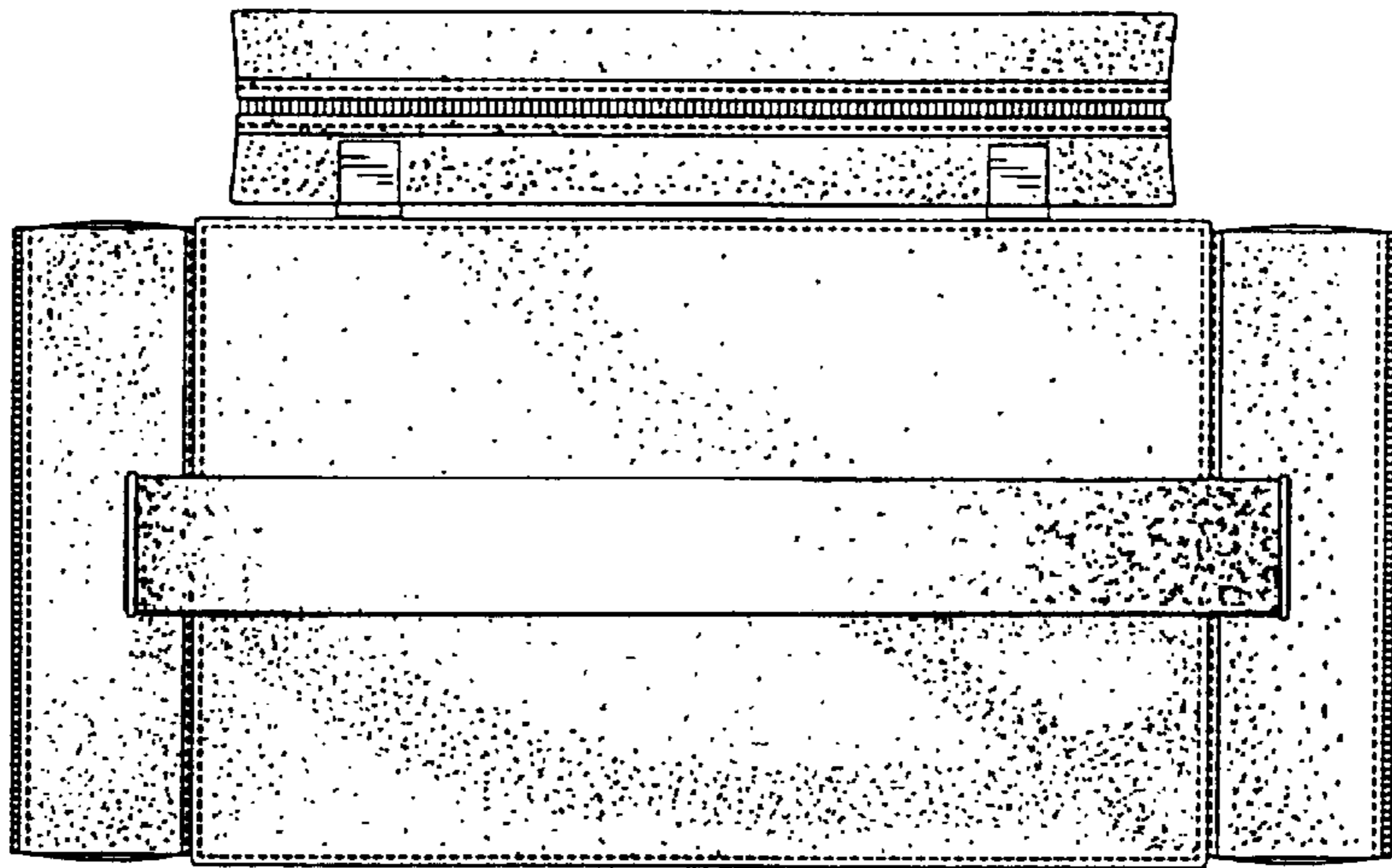


FIG. 7

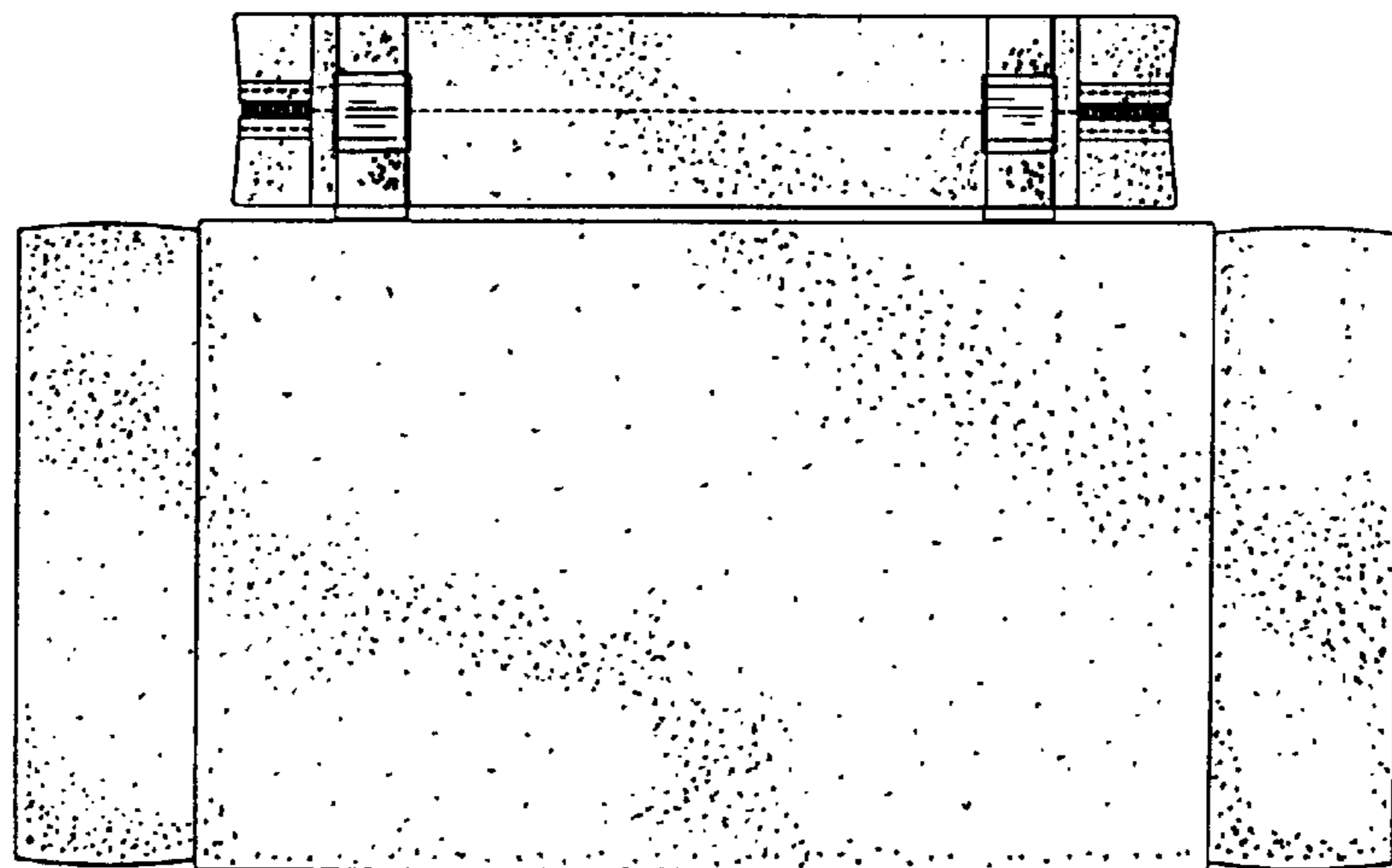


FIG. 8

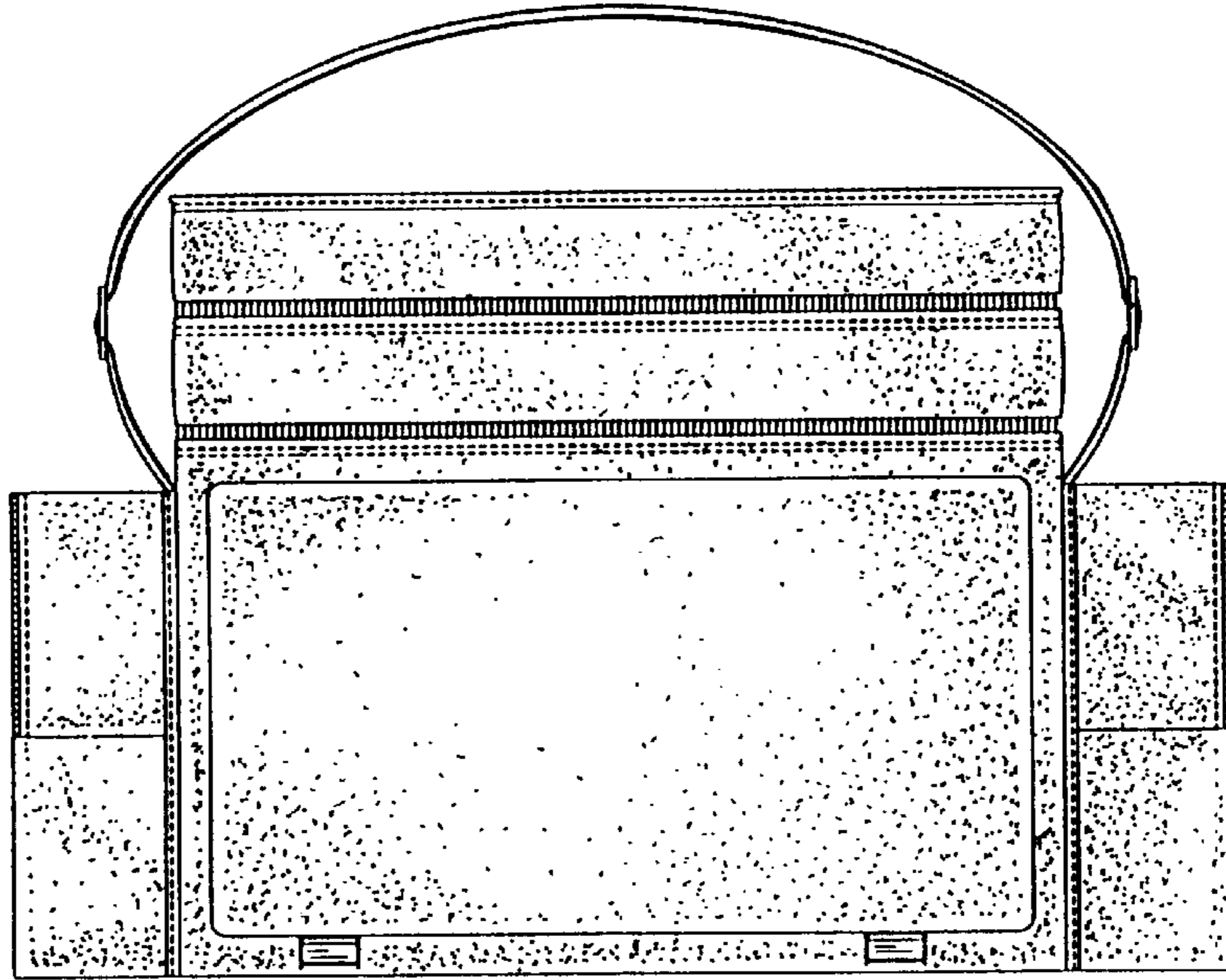


FIG. 9

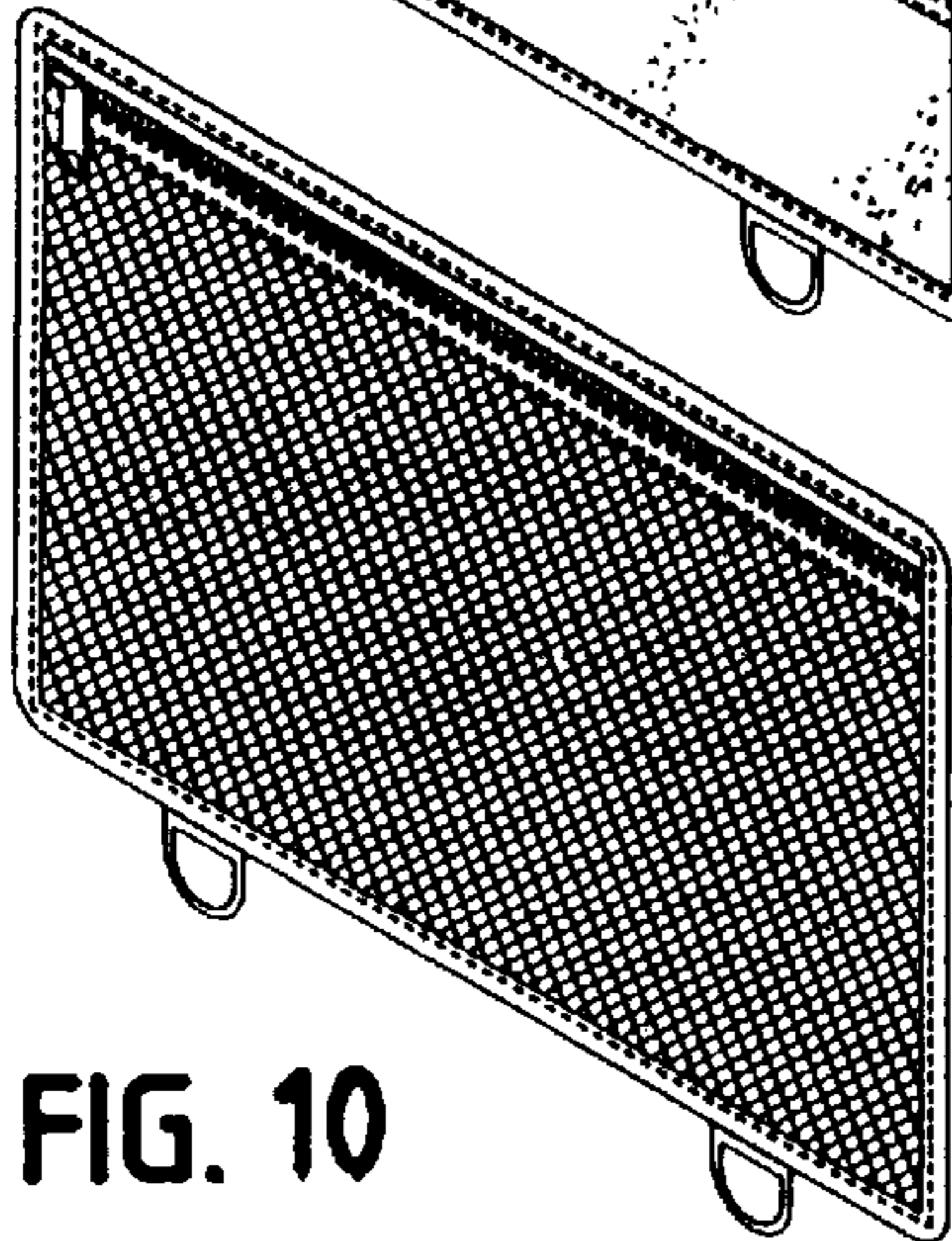
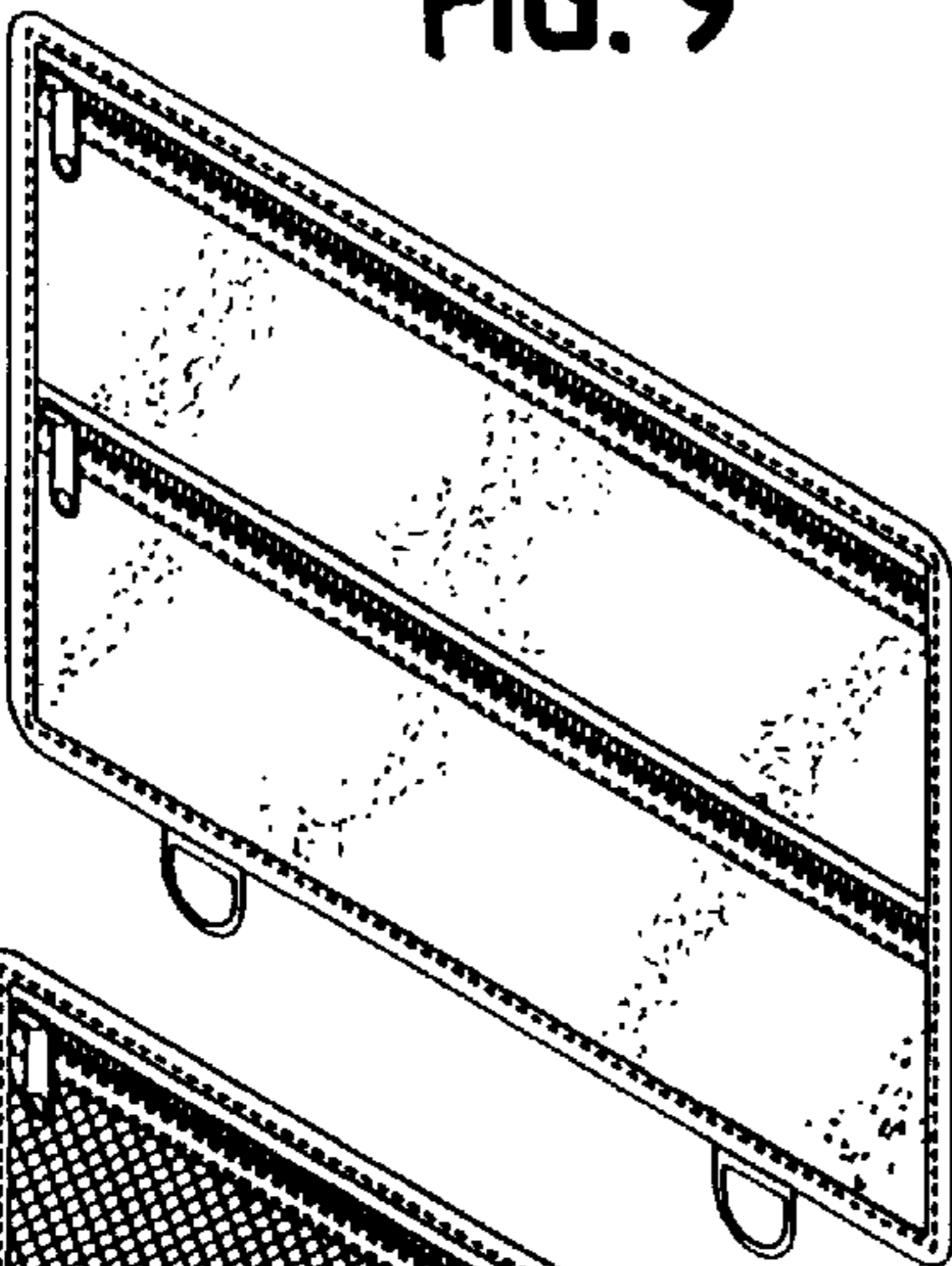


FIG. 10

FIG. 11

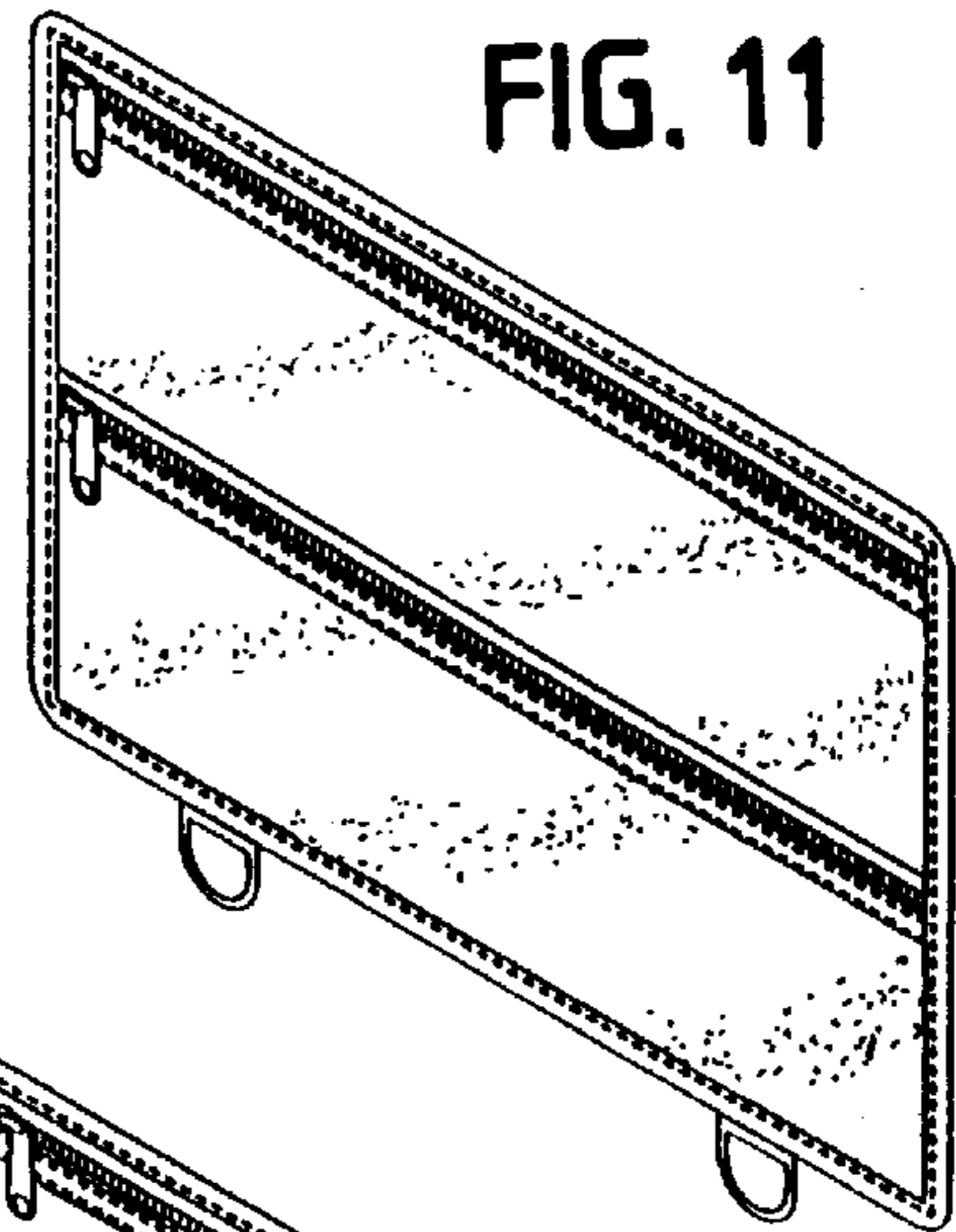


FIG. 12

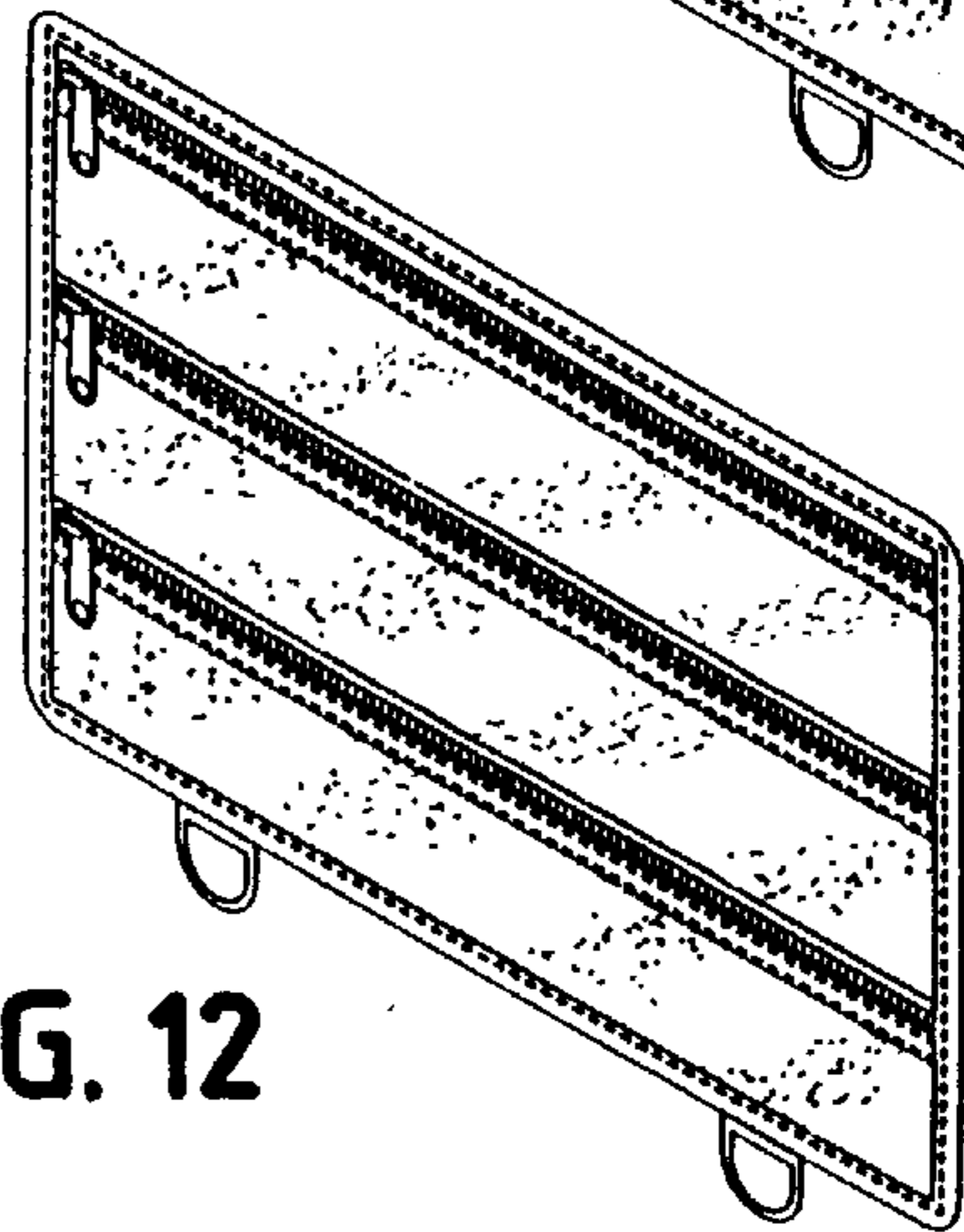


FIG. 13

