



US00D401059S

United States Patent [19]
Blackburn

[11] **Patent Number: Des. 401,059**

[45] **Date of Patent: **Nov. 17, 1998**

[54] **TACKLE BOX FOR FISHING LURES**

[76] Inventor: **Edwin L. Blackburn**, 814 Blackburn St., Grand Prairie, Tex. 75050

[**] Term: **14 Years**

[21] Appl. No.: **69,998**

[22] Filed: **Apr. 21, 1997**

[51] **LOC (6) Cl. 03-01**

[52] **U.S. Cl. D3/260**

[58] **Field of Search** D3/260, 904, 905;
D22/134, 136; 206/315.11; 43/25.2, 21.2,
26, 54.1, 54.4, 57.1; 224/922

[56] **References Cited**

U.S. PATENT DOCUMENTS

D. 158,368	5/1950	Felts et al.	D3/260
D. 318,175	7/1991	Venanzini	D3/260
D. 361,659	8/1995	Kahl et al.	D3/260
D. 394,955	6/1998	Dickinson et al.	D3/905
2,138,190	11/1938	Myers	206/315.11 X
2,503,490	4/1950	Janz	43/54.1 X

Primary Examiner—Louis R. Zarfes
Assistant Examiner—Catherine R. Oliver
Attorney, Agent, or Firm—Charles W. McHugh

[57] **CLAIM**

The ornamental design for a “tackle box for fishing lures,” as shown and described.

DESCRIPTION

FIG. 1 is a perspective view of a tackle box for fishing lures, showing my new design;

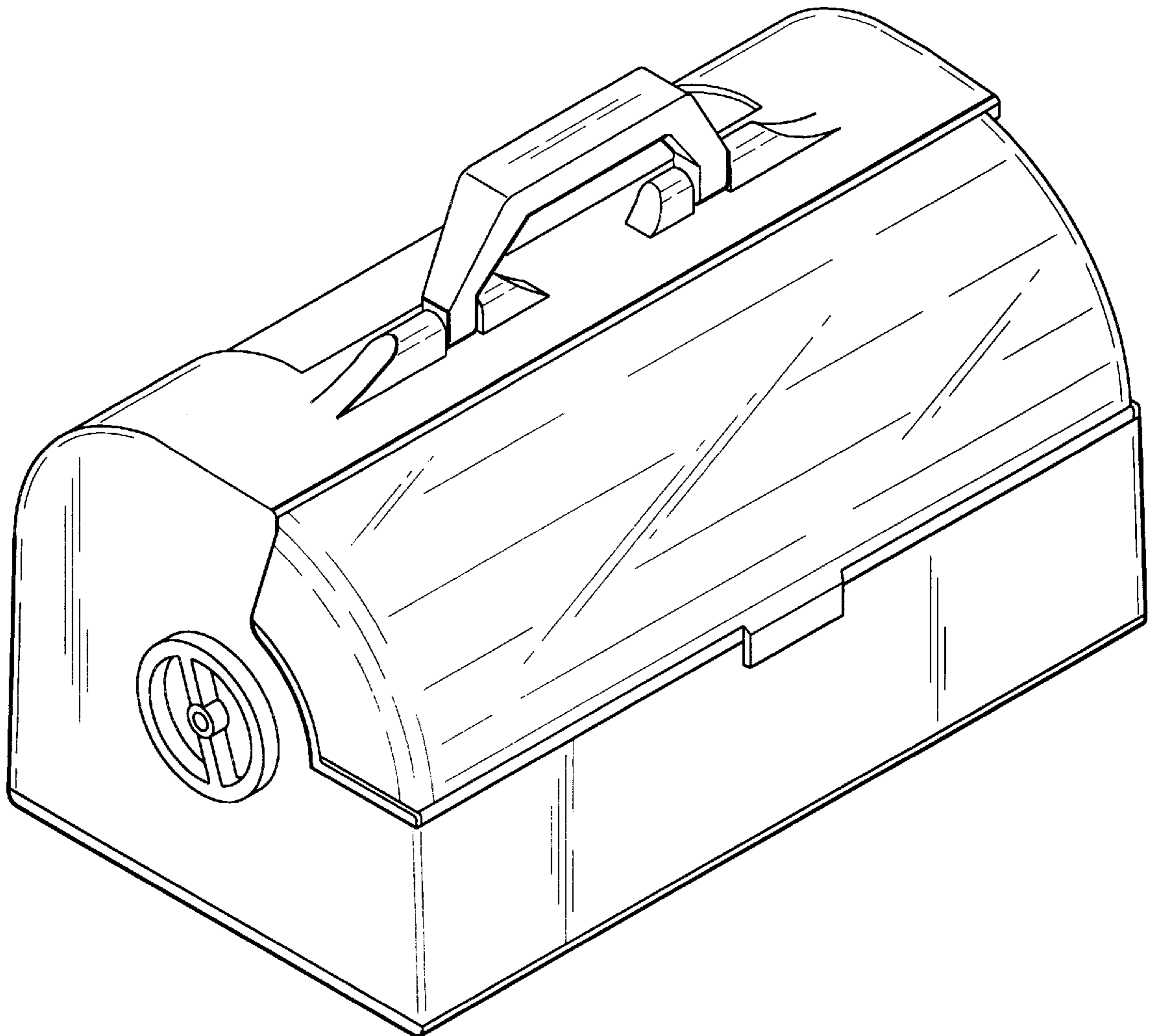
FIG. 2 is an elevational view of one side of the tackle box shown in FIG. 1, and the opposite side view being a mirror image thereof;

FIG. 3 is a front elevational view of the tackle box shown in FIG. 1;

FIG. 4 is a top plan view of the tackle box shown in FIG. 1; FIG. 5 is a bottom plan view of the tackle box shown in FIG. 1; and,

FIG. 6 is a rear elevational view of the tackle box shown in FIG. 1.

1 Claim, 2 Drawing Sheets



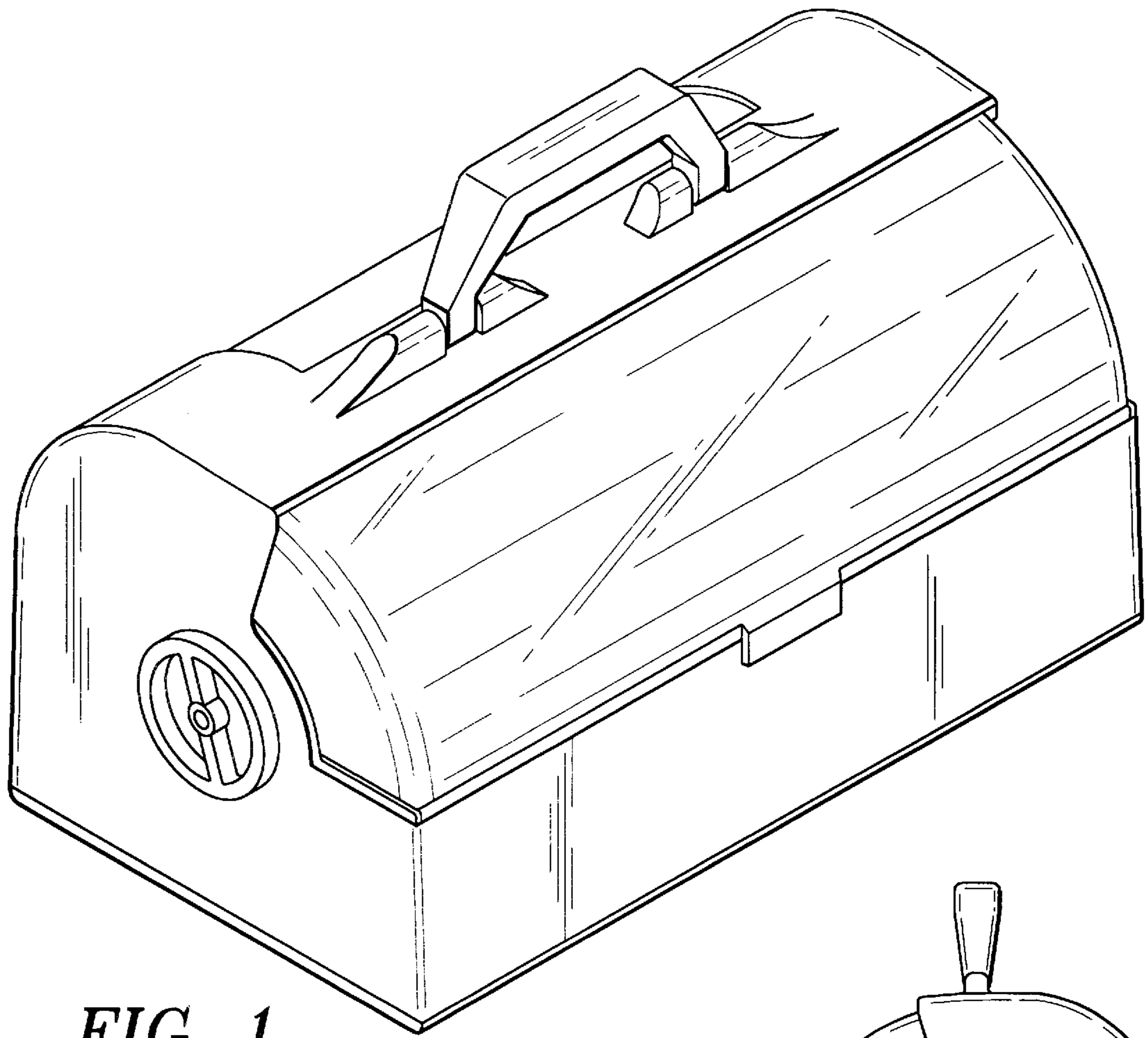


FIG. 1

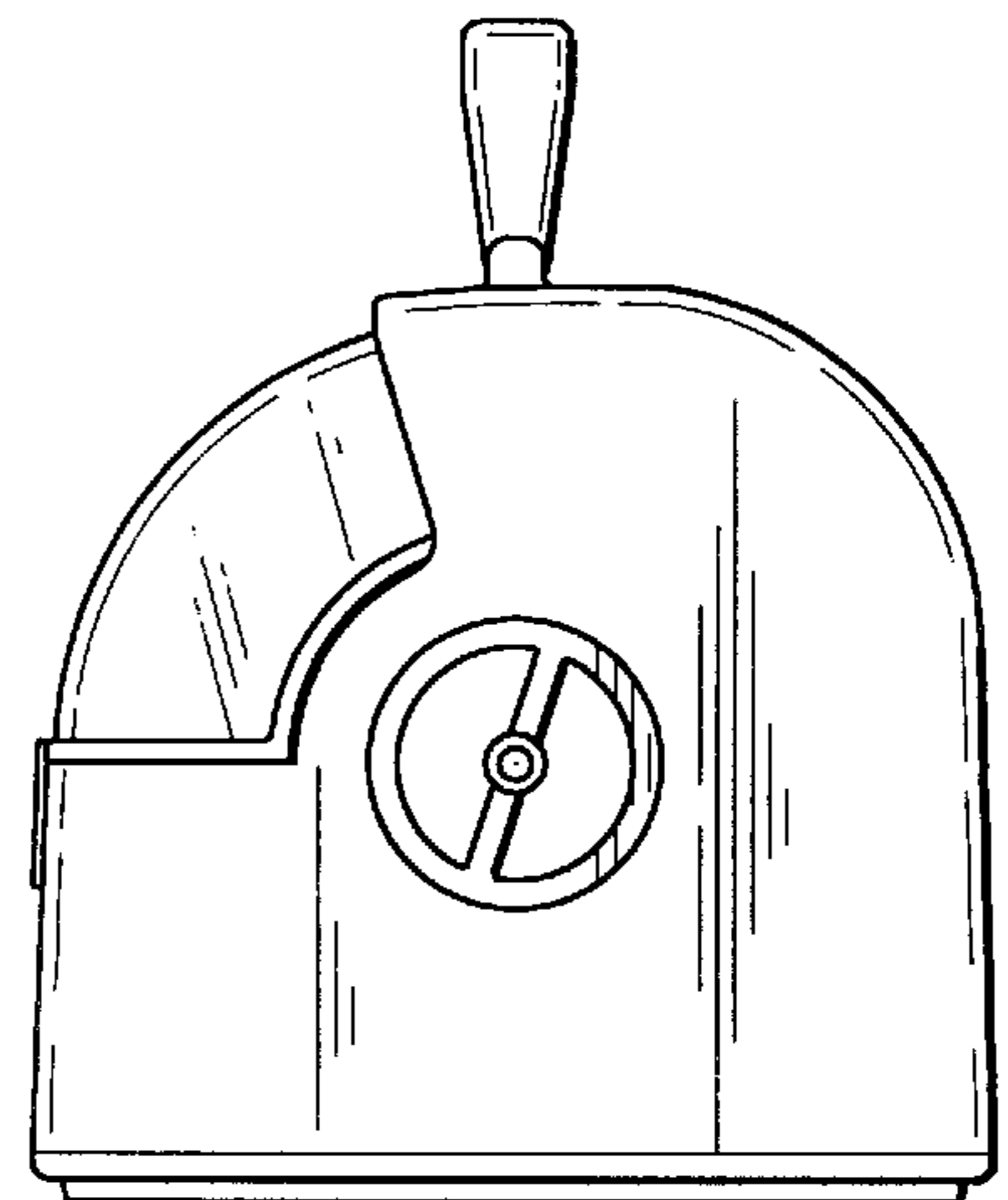


FIG. 2

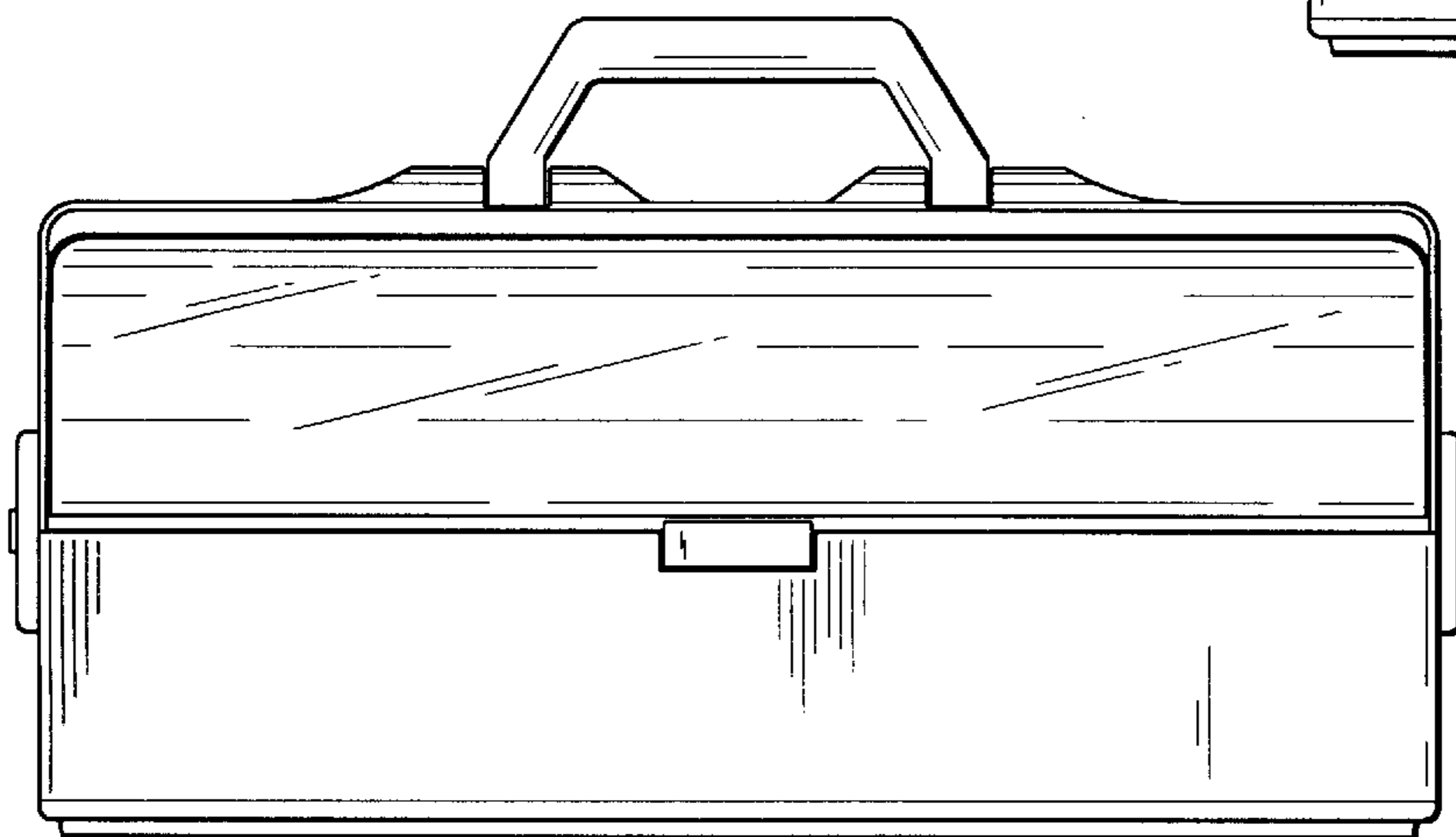


FIG. 3

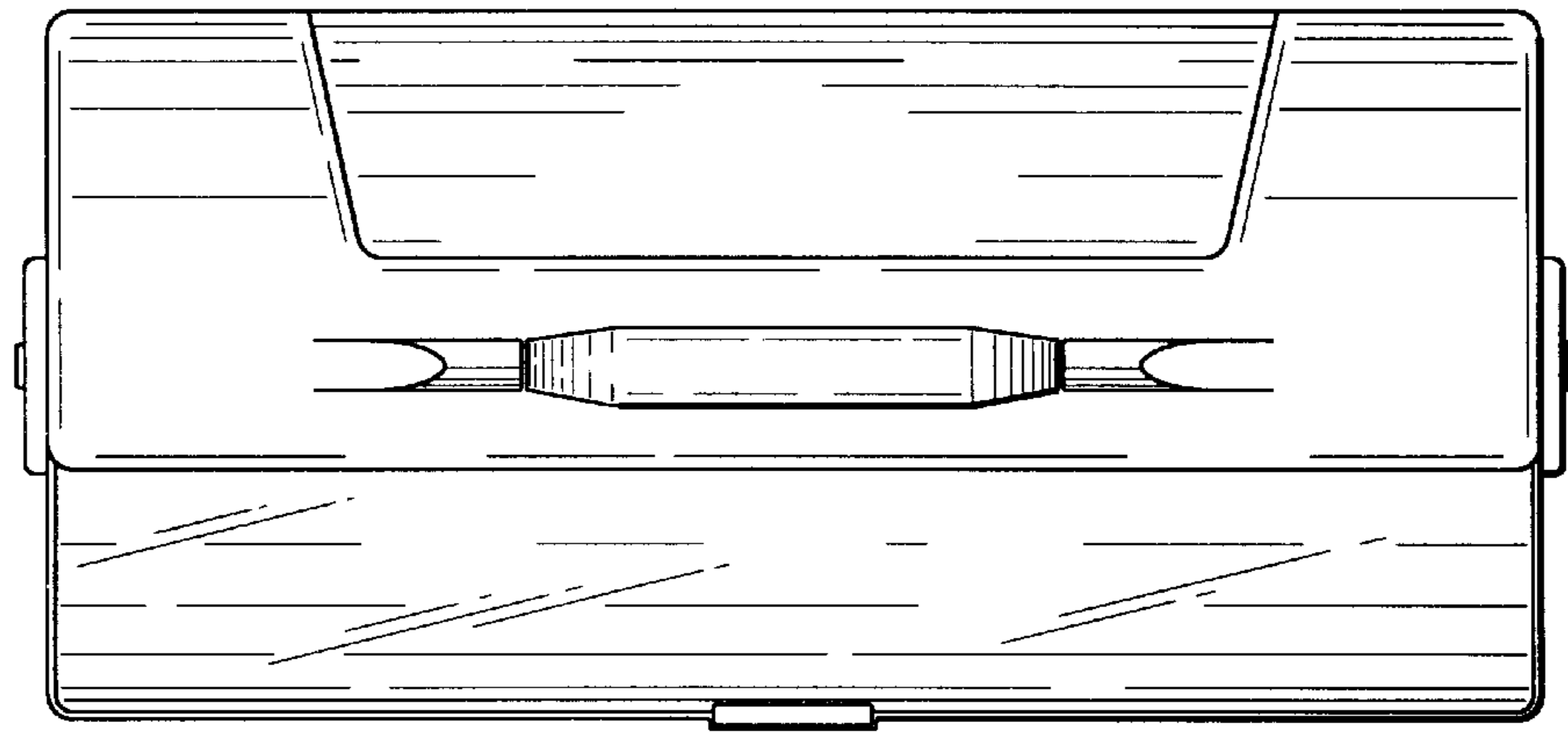


FIG. 4

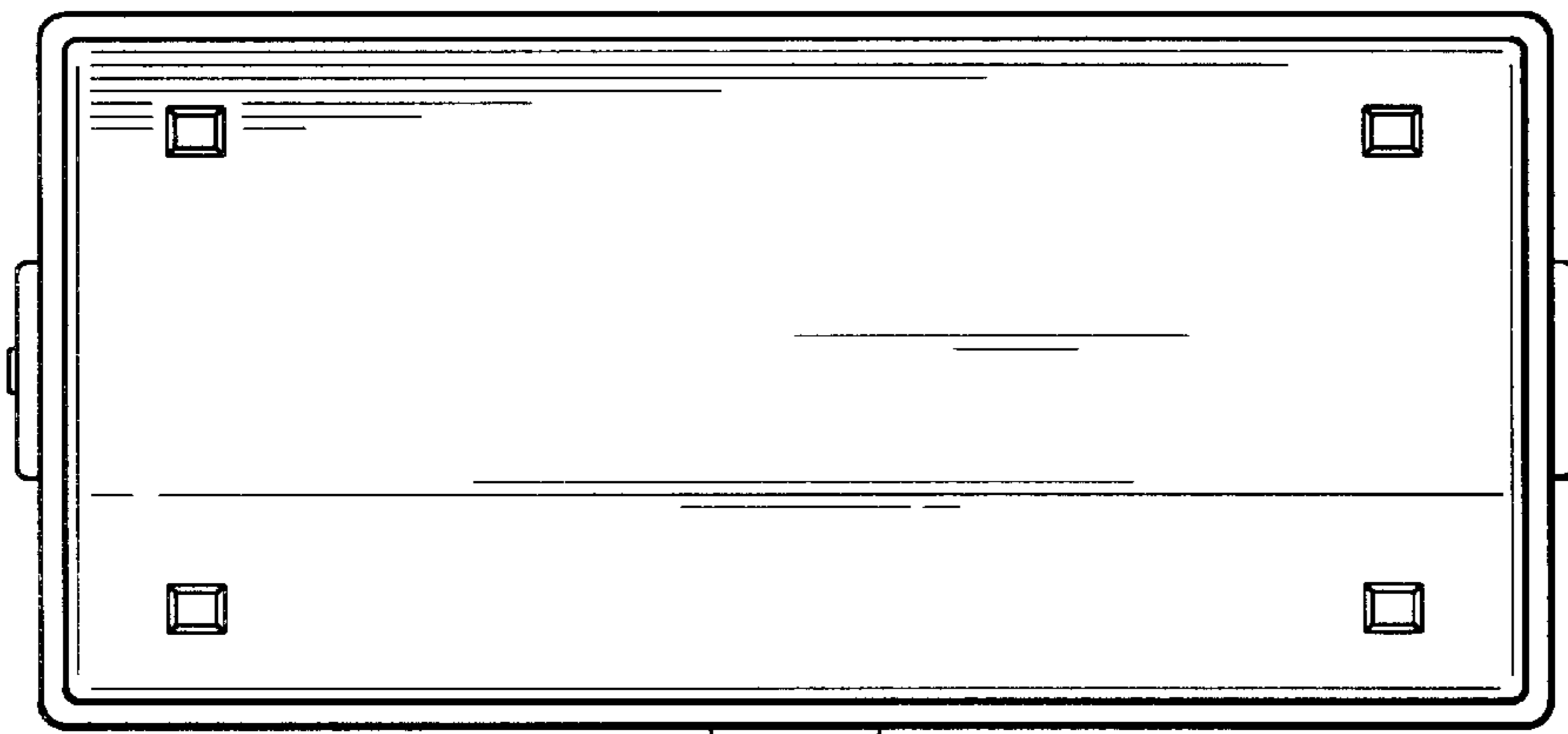


FIG. 5

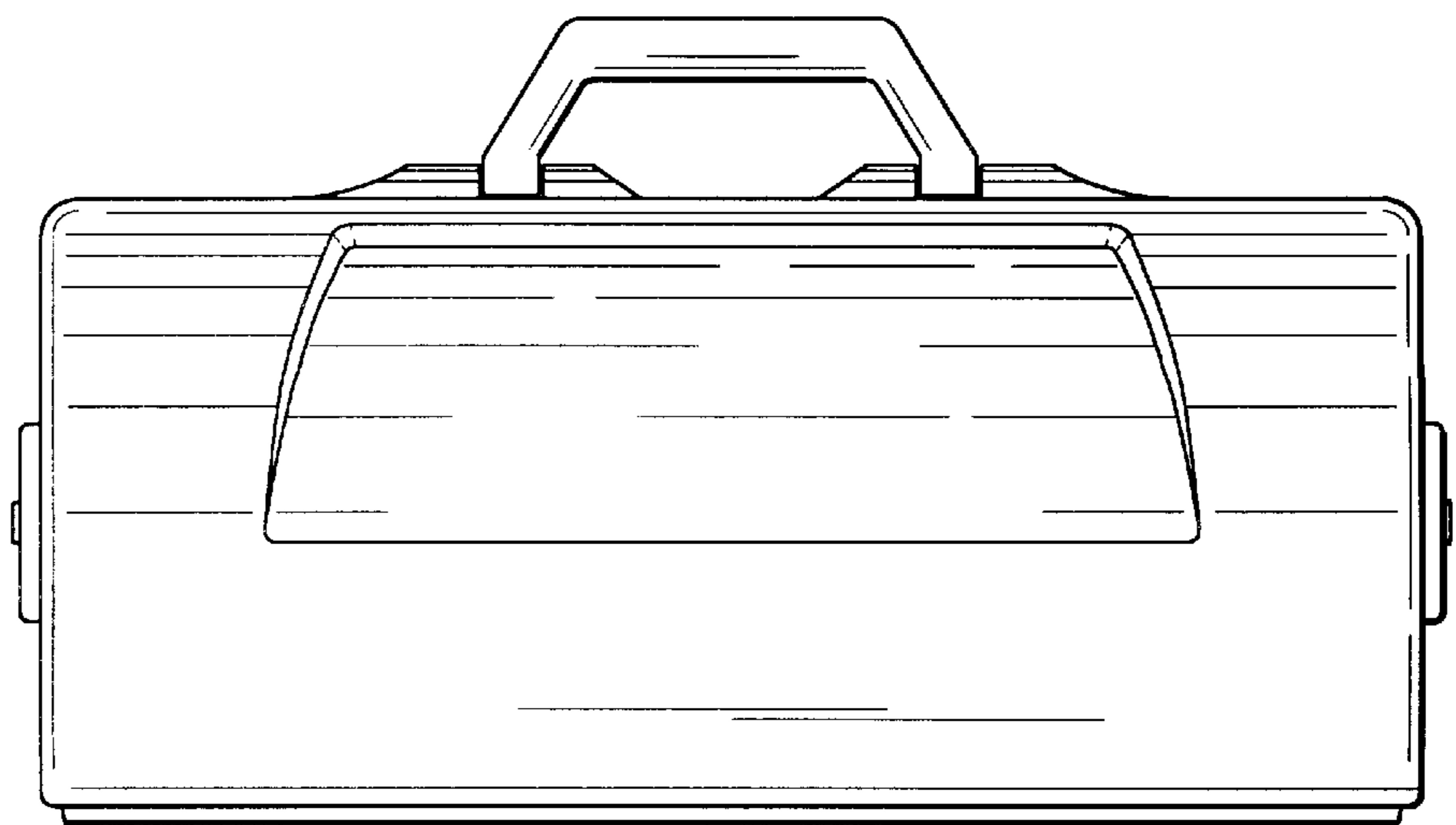


FIG. 6