



US00D401058S

United States Patent [19]
Blackburn

[11] **Patent Number: Des. 401,058**

[45] **Date of Patent: **Nov. 17, 1998**

[54] **ROTATABLE HOLDER FOR FISHING LURES**

[76] Inventor: **Edwin L. Blackburn**, 814 Blackburn St., Grand Prairie, Tex. 75050

[**] Term: **14 Years**

[21] Appl. No.: **69,995**

[22] Filed: **Apr. 21, 1997**

[51] **LOC (6) Cl.** **03-01**

[52] **U.S. Cl.** **D3/260**

[58] **Field of Search** D3/260, 904, 905;
D22/134, 136; 206/315.11; 43/21.2, 25.2,
26, 54.1, 54.4, 57.5, 57.1; 224/922

[56] **References Cited**

U.S. PATENT DOCUMENTS

4,366,641	1/1983	Price et al.	43/54.5
4,999,943	3/1991	Crabtree	43/54.1
5,185,952	2/1993	Bruce	43/57.1
5,289,940	3/1994	Wisnbaugh	43/57.1 X
5,371,968	12/1994	Casey	43/25.2

Primary Examiner—Louis S. Zarfaz
Assistant Examiner—Catherine R. Oliver
Attorney, Agent, or Firm—Charles W. McHugh

[57] **CLAIM**

The ornamental design for a “rotatable holder for fishing lures,” as shown and described.

DESCRIPTION

FIG. 1 is a perspective view of a “rotatable holder for fishing lures,” showing my new design;

FIG. 2 is an elevational view of one side of the holder shown in FIG. 1, and the opposite side view being a mirror image thereof;

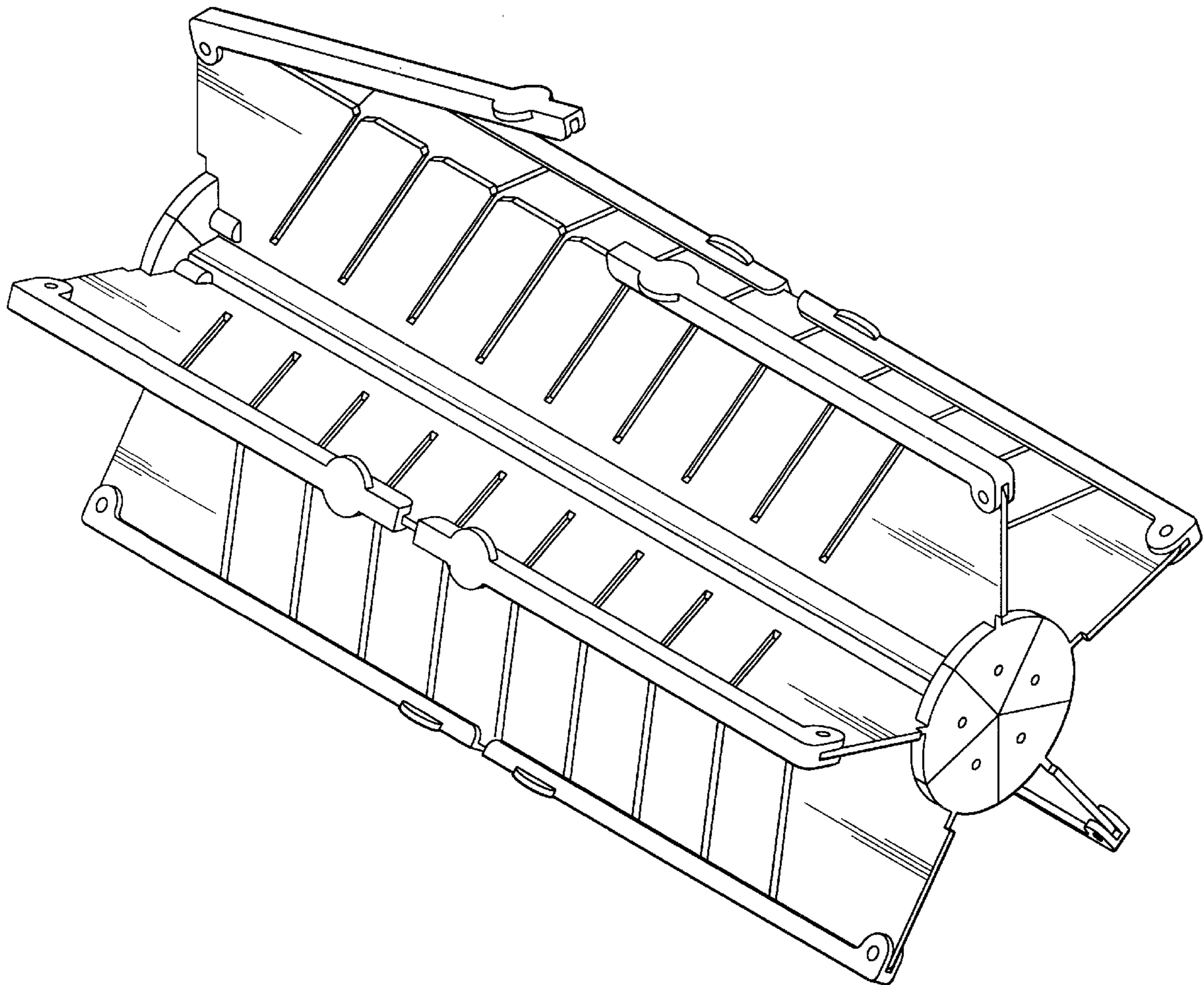
FIG. 3 is a top plan view of the holder shown in FIG. 1;

FIG. 4 is a front elevational view of the holder shown in FIG. 1;

FIG. 5 is a bottom plan view of the holder shown in FIG. 1; and,

FIG. 6 is a cross-sectional view of the holder taken in the plane represented by the lines 6—6 in FIG. 3.

1 Claim, 3 Drawing Sheets



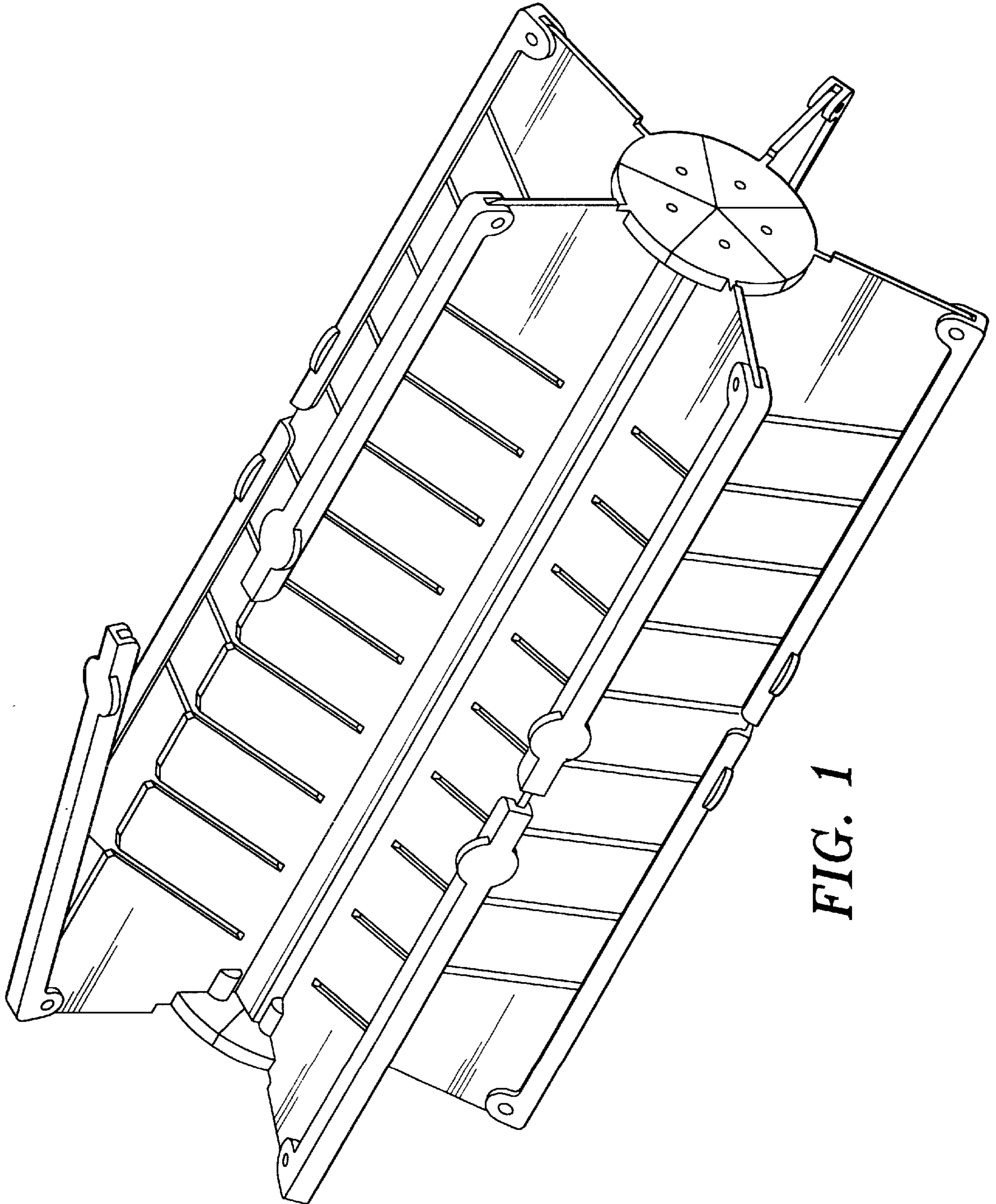


FIG. 1

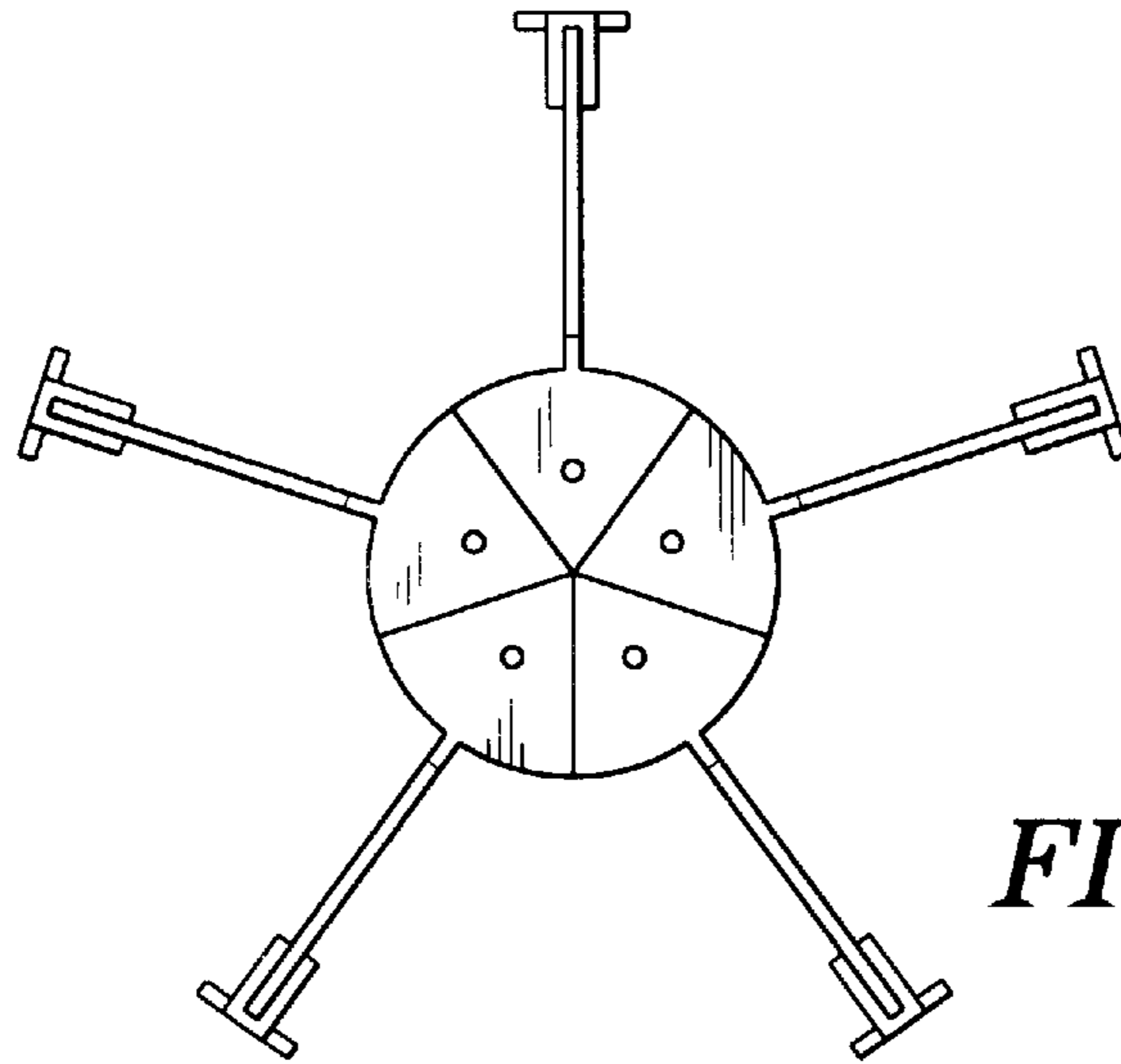


FIG. 2

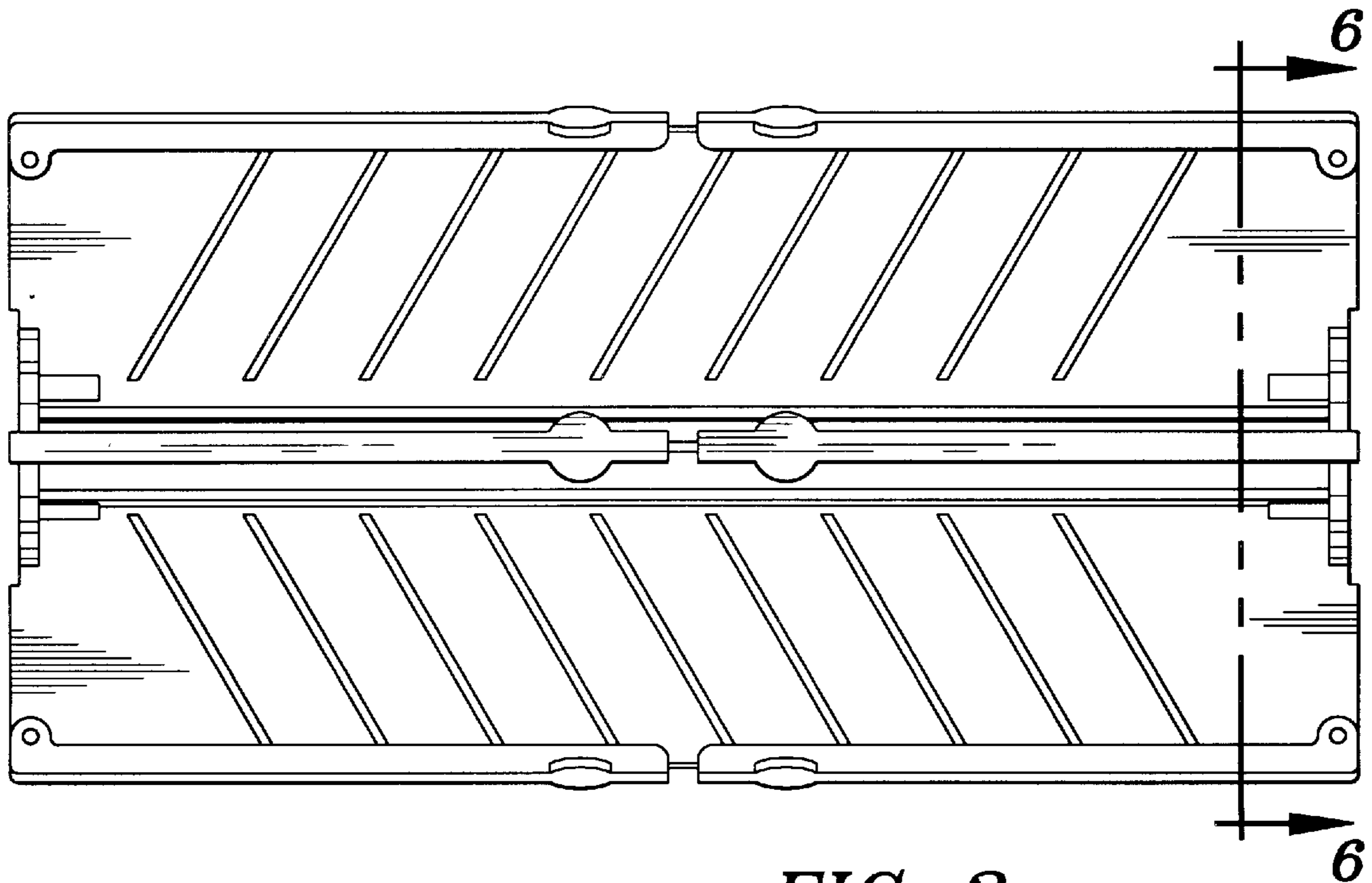


FIG. 3

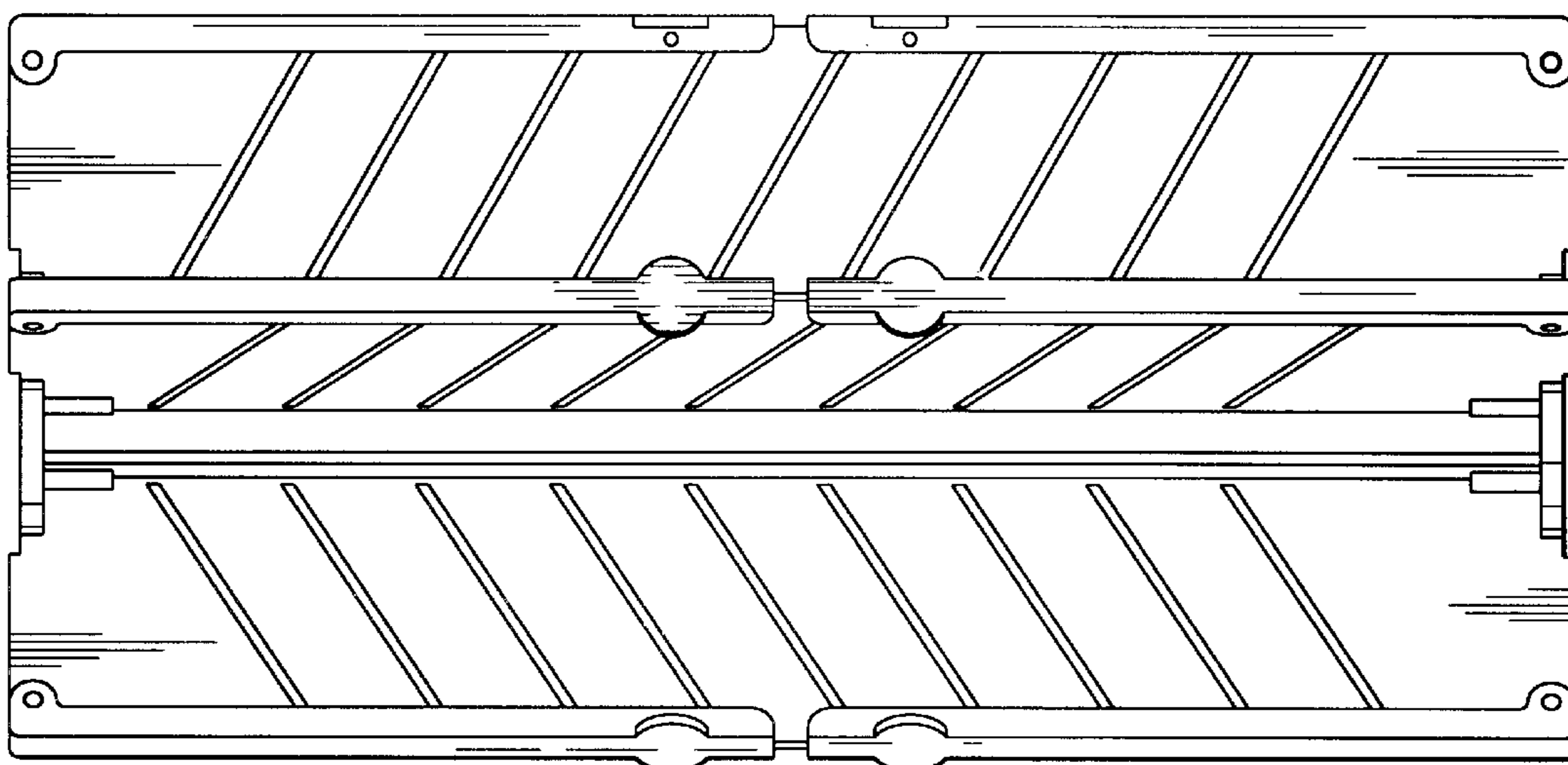


FIG. 4

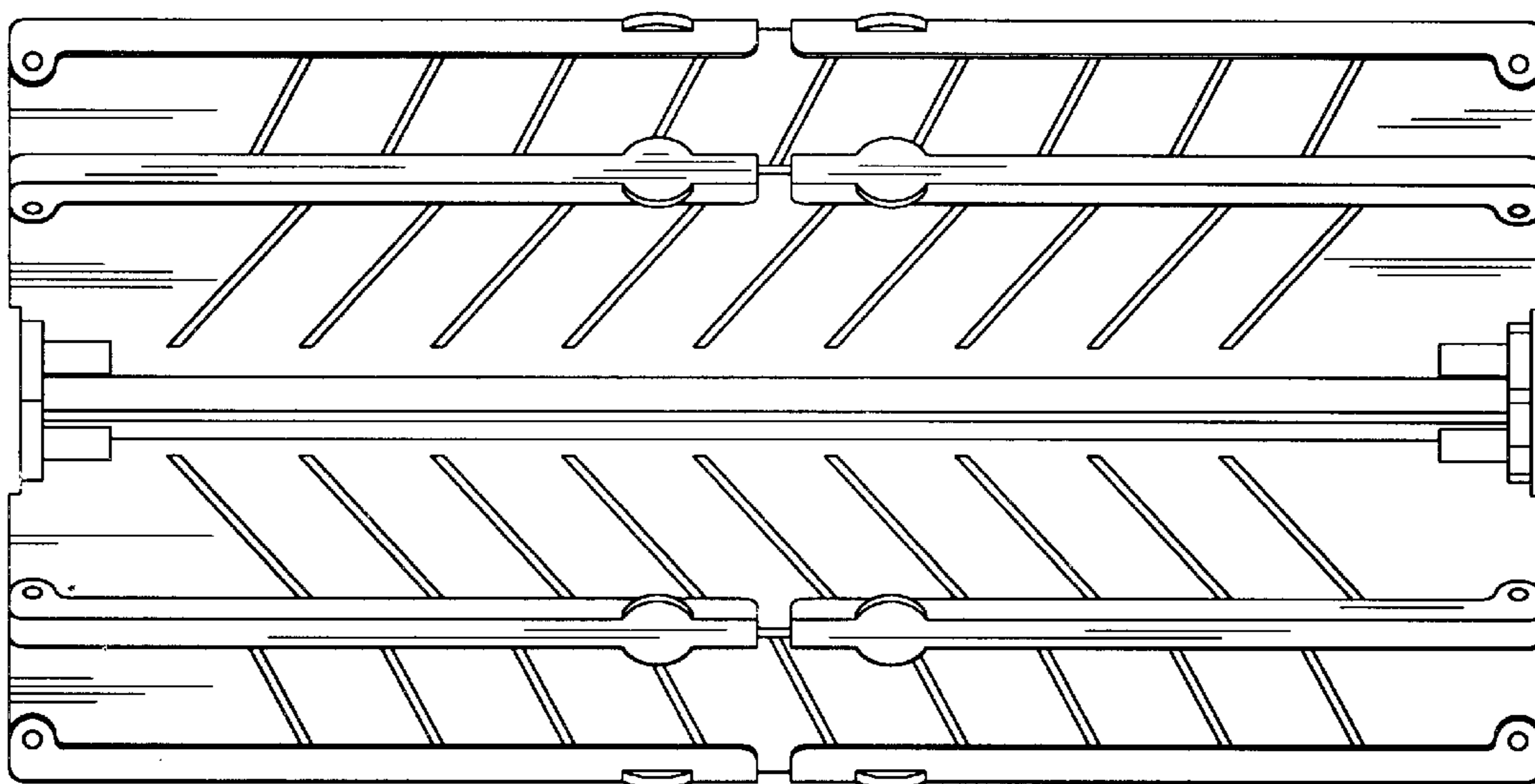


FIG. 5

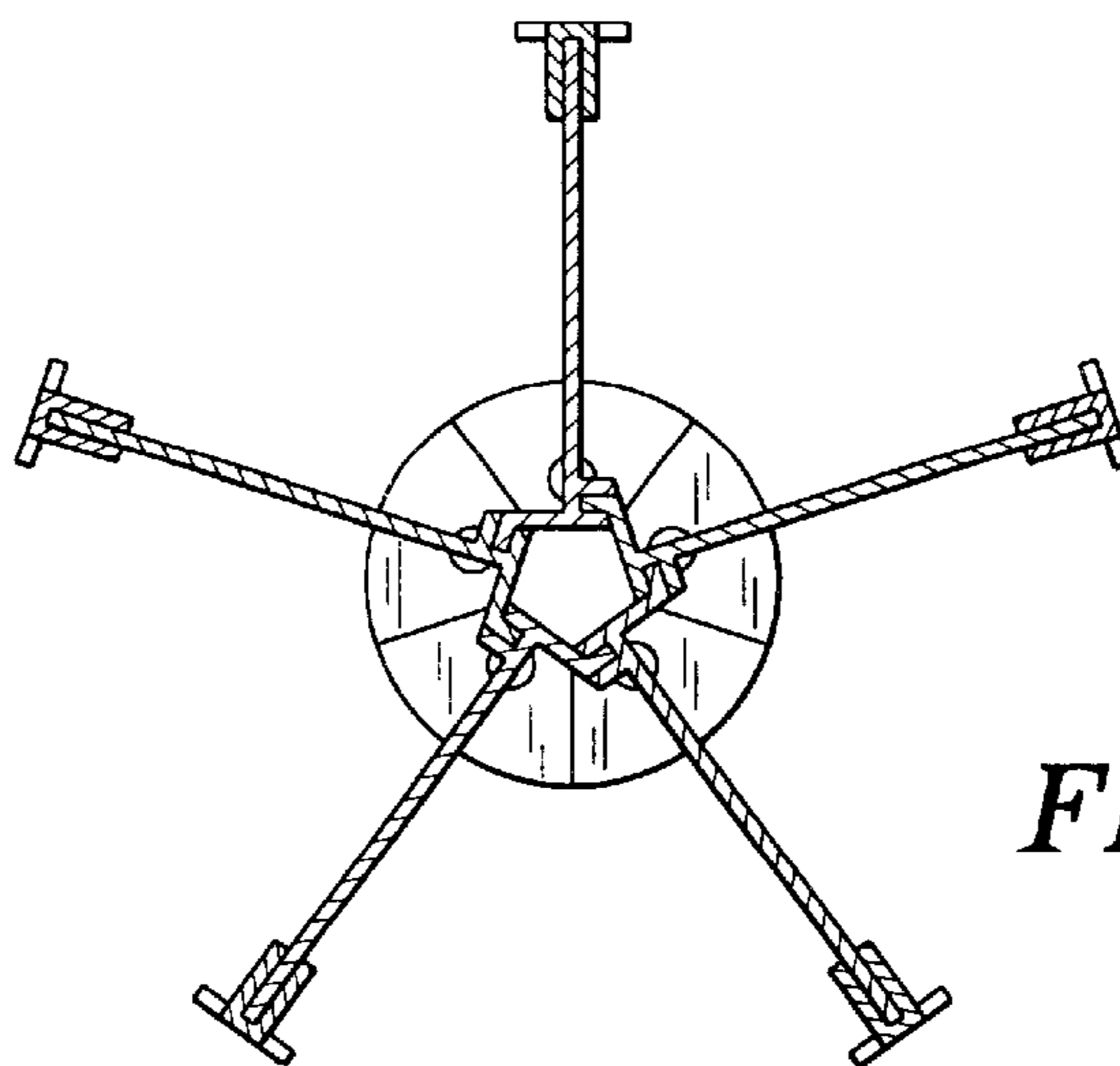


FIG. 6