



US00D401056S

United States Patent [19]

[11] **Patent Number: Des. 401,056**

Akutsu

[45] **Date of Patent: **Nov. 17, 1998**

[54] **PANNIERS**

[76] Inventor: **Akira Akutsu**, Itabashi 1-36-4,
Itabashi-ku Tokyo 173, Japan

[**] Term: **14 Years**

[21] Appl. No.: **68,574**

[22] Filed: **Mar. 24, 1997**

[30] Foreign Application Priority Data

Nov. 26, 1996 [JP] Japan 8-35632

[51] **LOC (6) Cl.** **03-01**

[52] **U.S. Cl.** **D3/231; D3/201**

[58] **Field of Search** D3/201, 231, 243,
D3/245, 246; D9/305; 150/108; 224/42.11,
429, 430; 383/7, 38; D12/409

[56] References Cited

U.S. PATENT DOCUMENTS

| | | | | |
|------------|---------|---------------|-----------|---|
| 271,540 | 1/1883 | Strubbe | 224/42.11 | X |
| D. 272,428 | 1/1984 | Kelley | 224/42.11 | X |
| D. 278,225 | 4/1985 | Heiman et al. | D12/409 | |
| 340,339 | 4/1886 | Marshall | 224/42.11 | X |
| D. 365,322 | 12/1995 | Hrib | D3/231 | X |
| 501,821 | 7/1893 | Browne | 224/42.11 | X |
| 1,665,892 | 4/1928 | O'Dea | 224/42.11 | |

FOREIGN PATENT DOCUMENTS

69365 1/1952 Netherlands 224/42.11

Primary Examiner—Louis S. Zarfes
Assistant Examiner—Monica A. Weingart
Attorney, Agent, or Firm—Howson and Howson

[57] CLAIM

The ornamental design for panniers, as shown and described.

DESCRIPTION

FIG. 1 is a front elevational view of panniers, showing my new design;

FIG. 2 is a top plan view thereof;

FIG. 3 is a bottom plan view thereof;

FIG. 4 is a rear elevational view thereof;

FIG. 5 is a left side elevational view thereof;

FIG. 6 is a fragmentary exploded perspective view thereof;

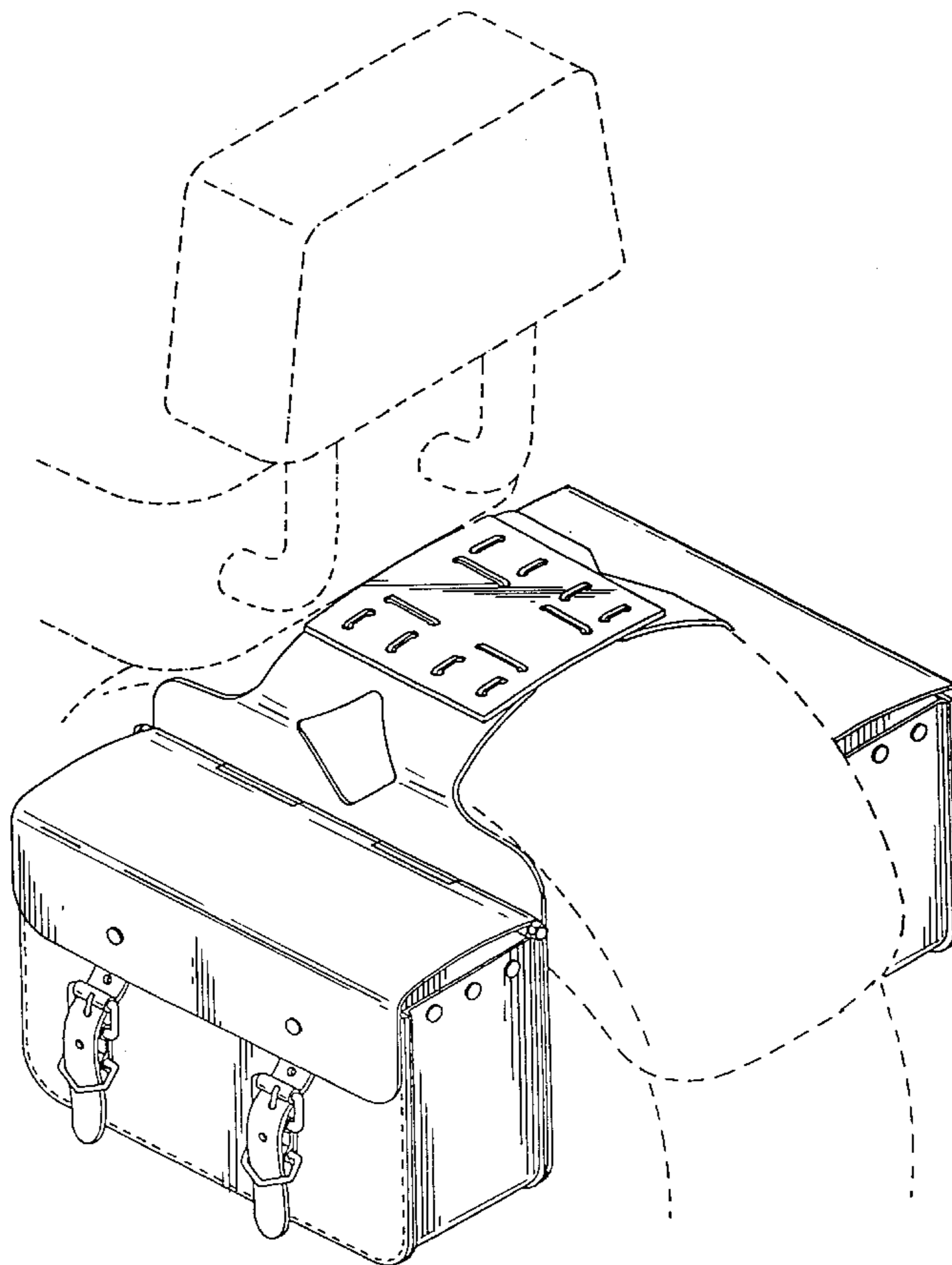
FIG. 7 is a fragmentary perspective view thereof, showing a pannier in its opened condition; and,

FIG. 8 is a perspective view thereof, showing the panniers in use on a motorcycle.

The right side view of the panniers is a mirror image of the left side elevational view.

The broken line showing of the rear of a motorcycle in FIG. 8 is for illustrative purposes only and forms no part of the claimed design.

1 Claim, 7 Drawing Sheets



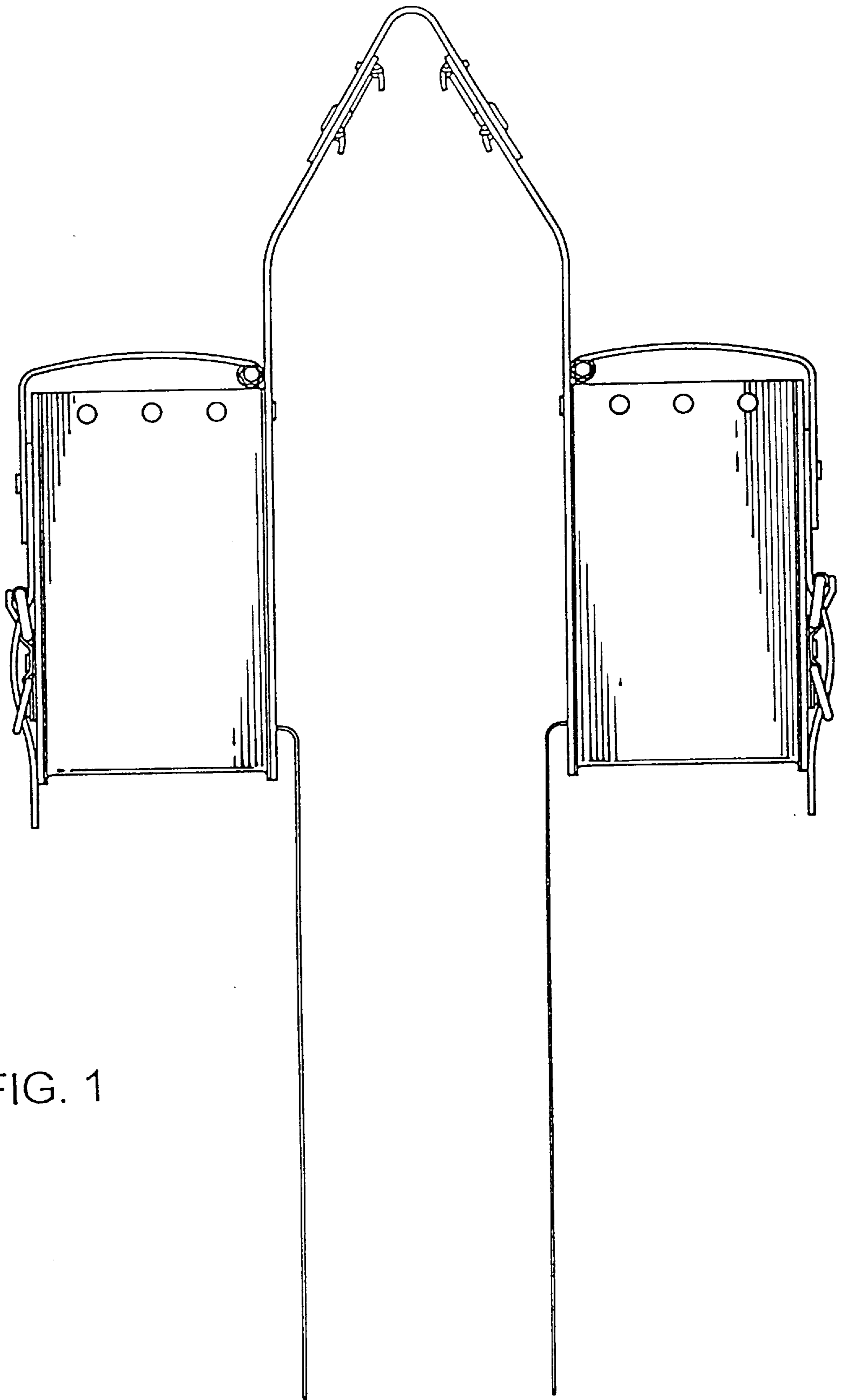


FIG. 1

FIG. 2

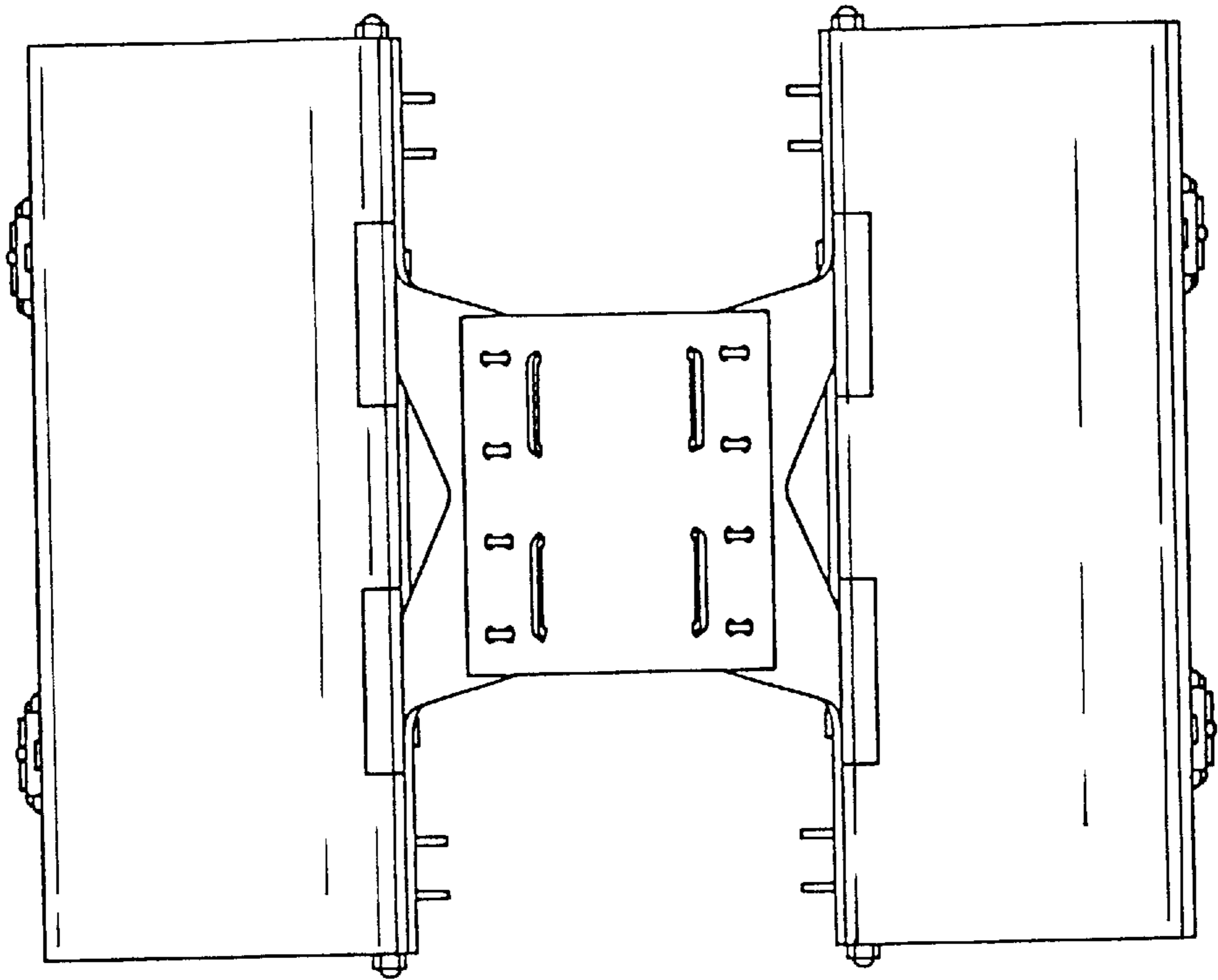
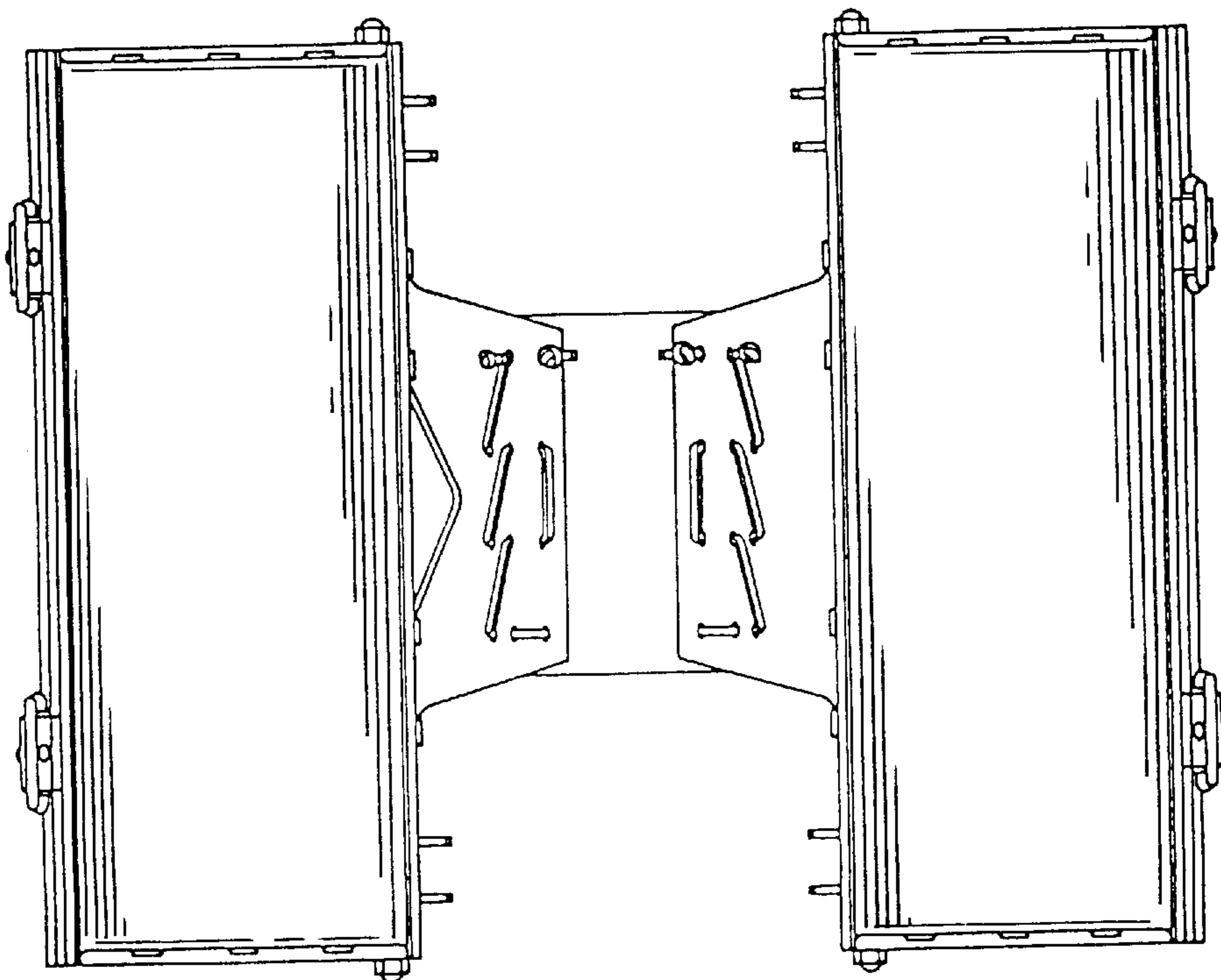


FIG. 3



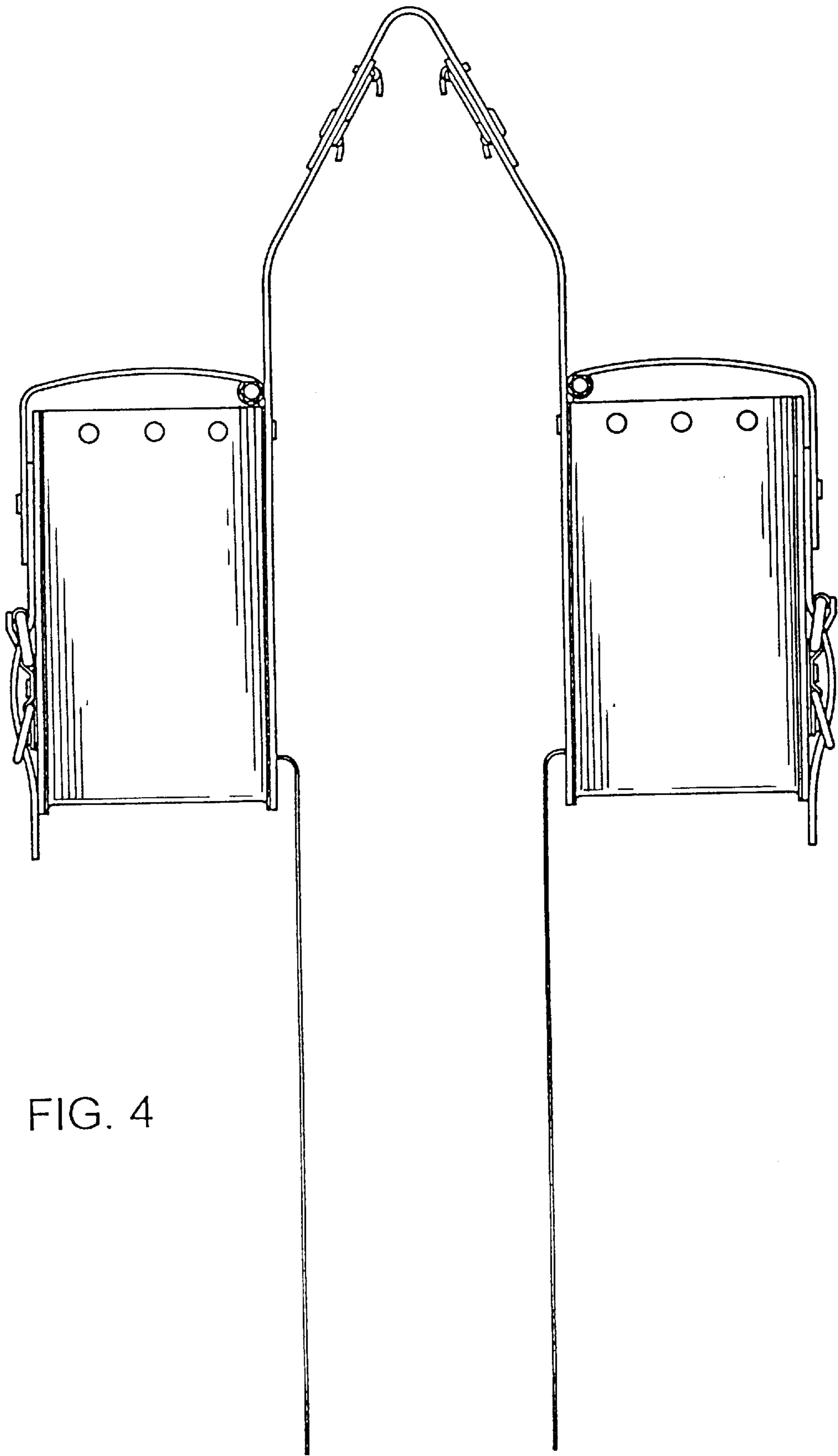


FIG. 4

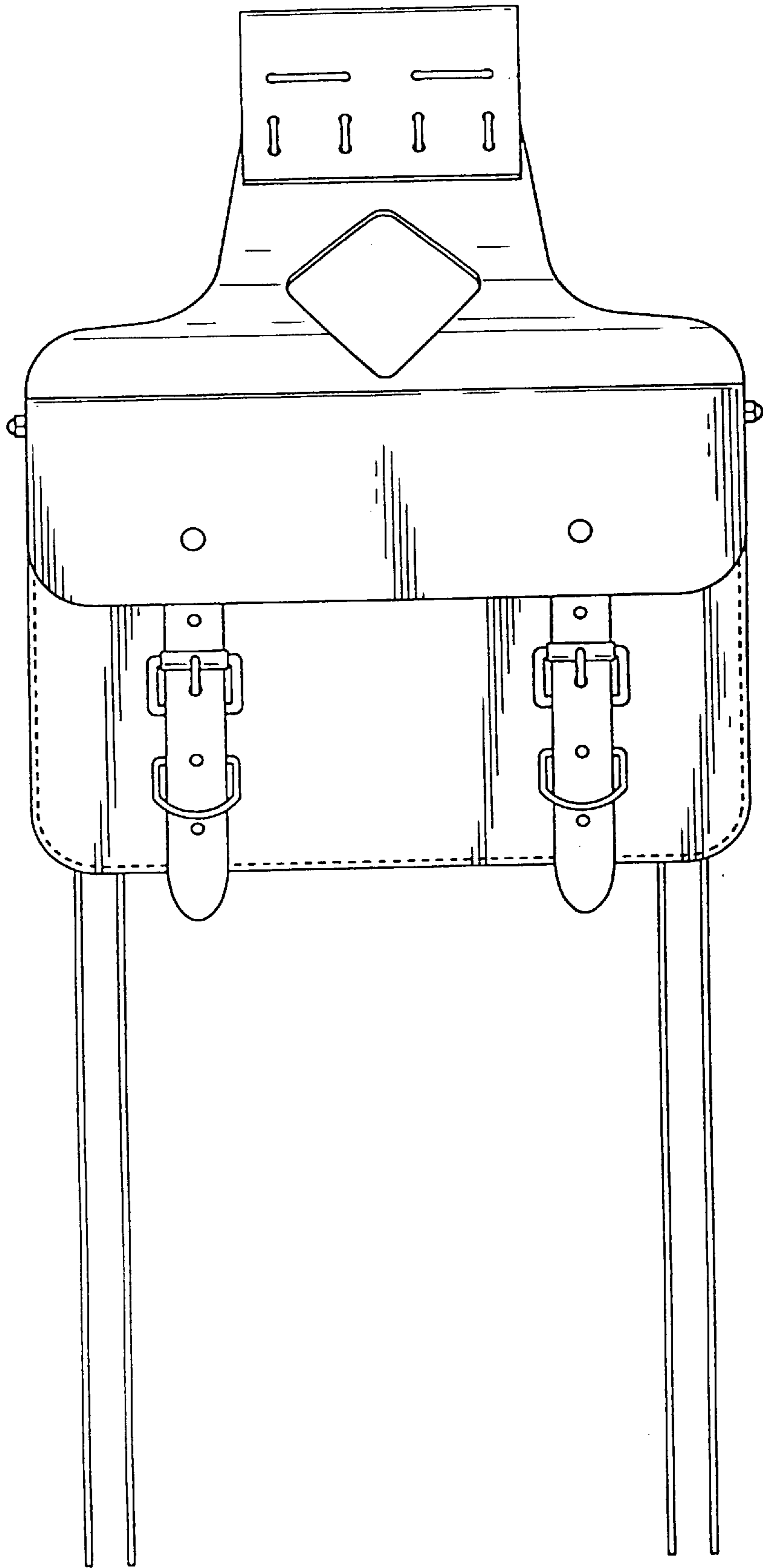


FIG. 5

FIG. 6

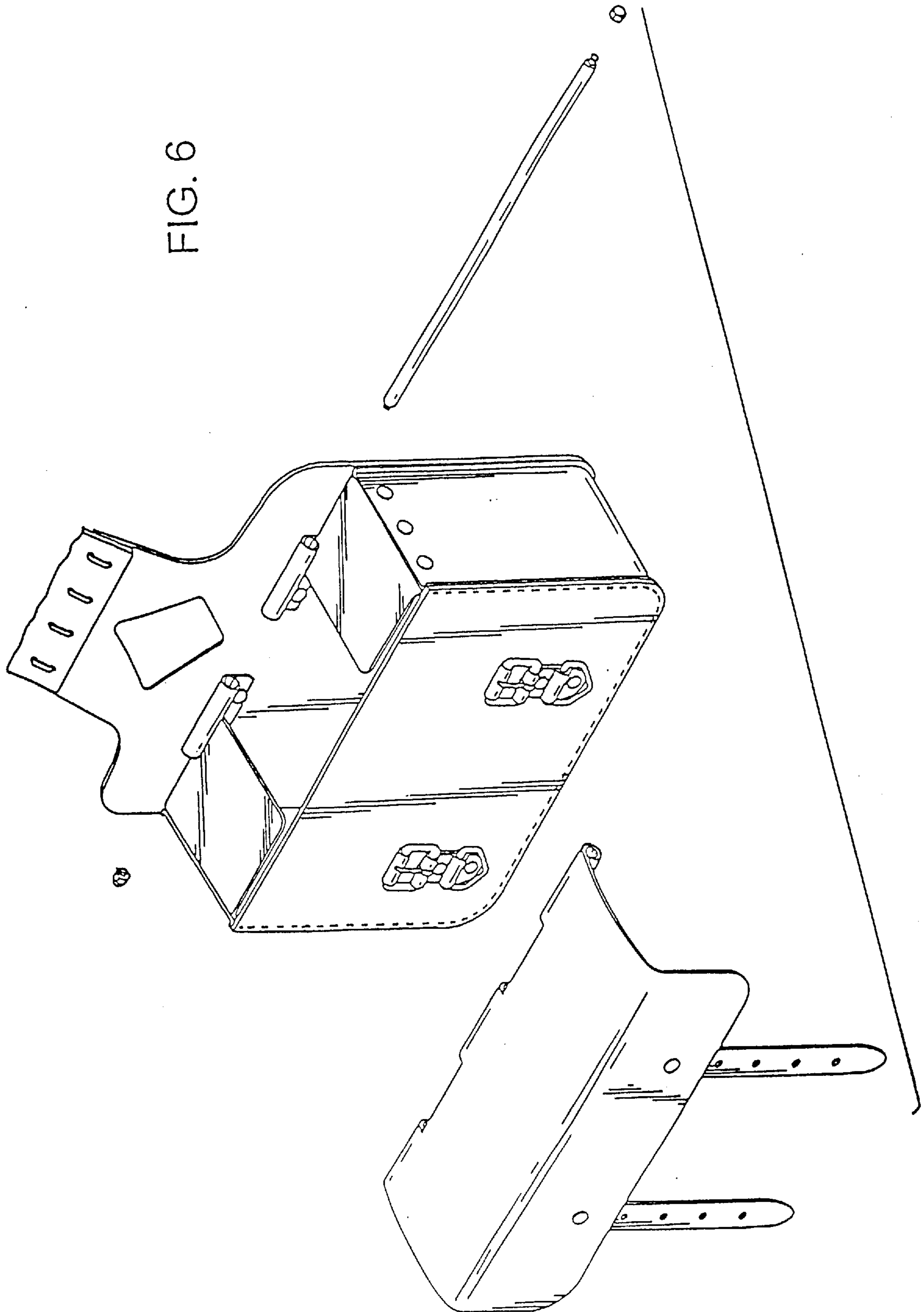


FIG. 7

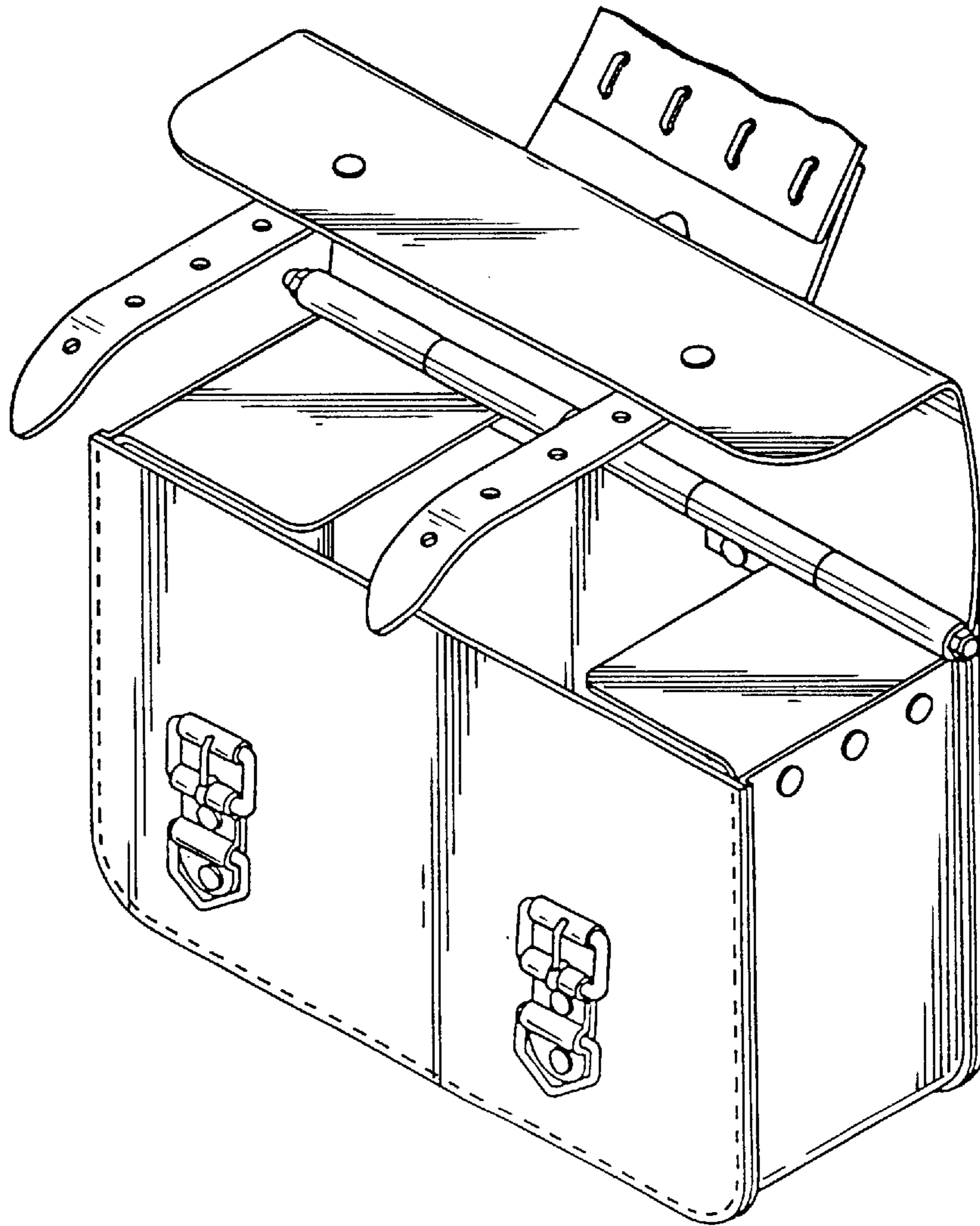


FIG. 8

