



US00D401054S

United States Patent [19]

Hartmann et al.

[11] **Patent Number: Des. 401,054**

[45] **Date of Patent: **Nov. 17, 1998**

[54] **MAGNETIC KEY CASE**

[75] Inventors: **Jerome J. Hartmann**, Carlisle;
Thomas R. Steinhagen, West Des Moines, both of Iowa

[73] Assignee: **Cobbs Manufacturing Company**, Des Moines, Iowa

[**] Term: **14 Years**

[21] Appl. No.: **78,883**

[22] Filed: **Nov. 3, 1997**

[51] **LOC (6) Cl.** **03-01**

[52] **U.S. Cl.** **D3/212**

[58] **Field of Search** D3/207-212; D8/347;
24/3.6; 70/456.12, 457

[56] **References Cited**

U.S. PATENT DOCUMENTS

D. 85,988 10/1932 Sakai D3/212

D. 326,957	6/1992	Gerbert	D3/212
D. 388,953	1/1998	Hartmann et al.	D3/212
2,714,479	8/1955	Zeitew	224/673
2,854,132	9/1958	Bjerknes et al.	70/456 R
2,874,740	2/1959	Mageau, Jr.	205/37.6

Primary Examiner—Ralf Seifert

[57] **CLAIM**

The ornamental design for a magnetic key case, as shown and described.

DESCRIPTION

FIG. 1 is a front elevational view of the magnetic key case; FIG. 2 is a top view thereof; FIG. 3 is a right side view thereof, the left side view being a mirror image; FIG. 4 is a bottom view thereof; FIG. 5 is a rear elevational view thereof; FIG. 6 is a perspective view thereof; FIG. 7 is a perspective view thereof, with cap removed.

1 Claim, 2 Drawing Sheets

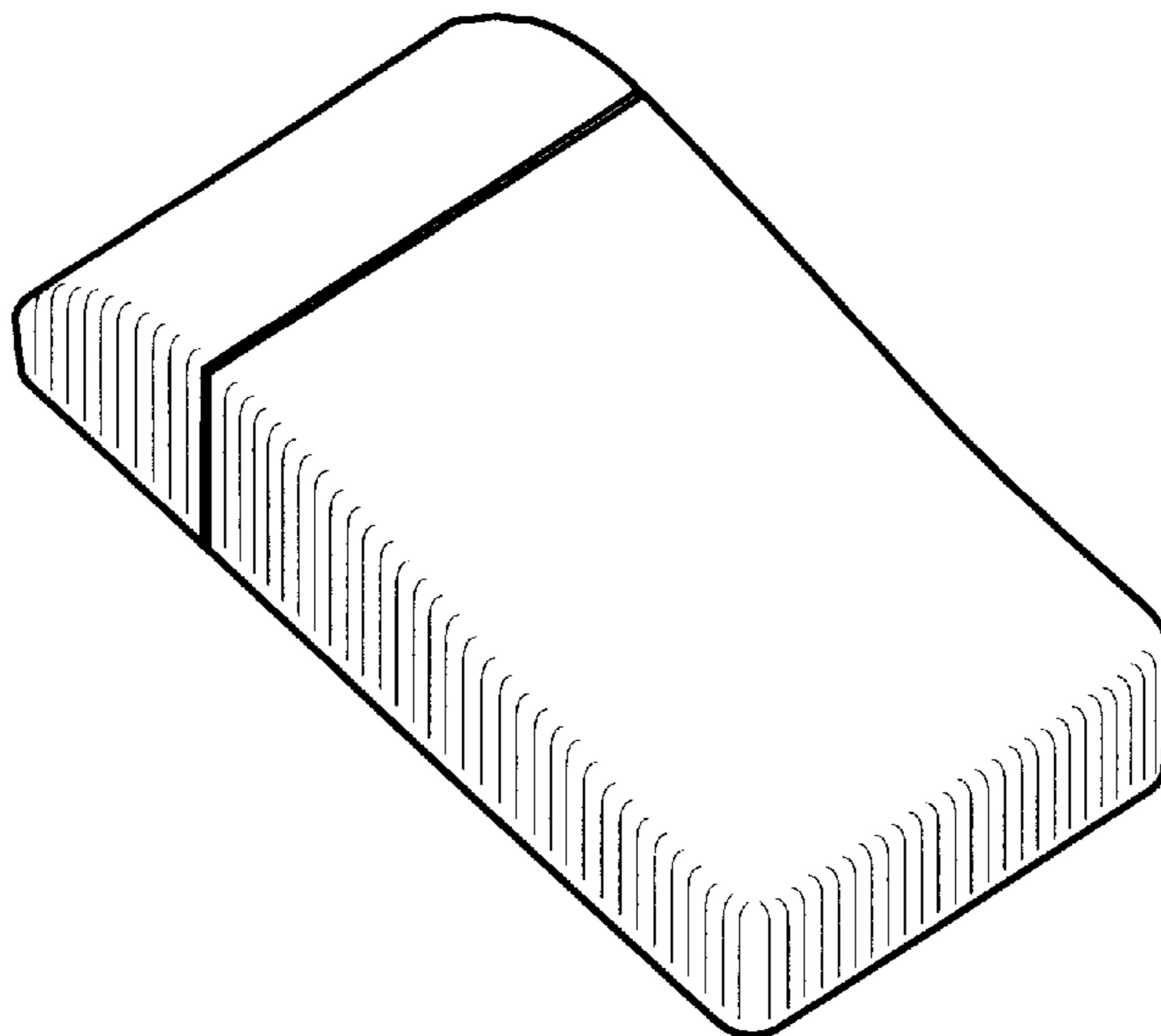


Fig 1

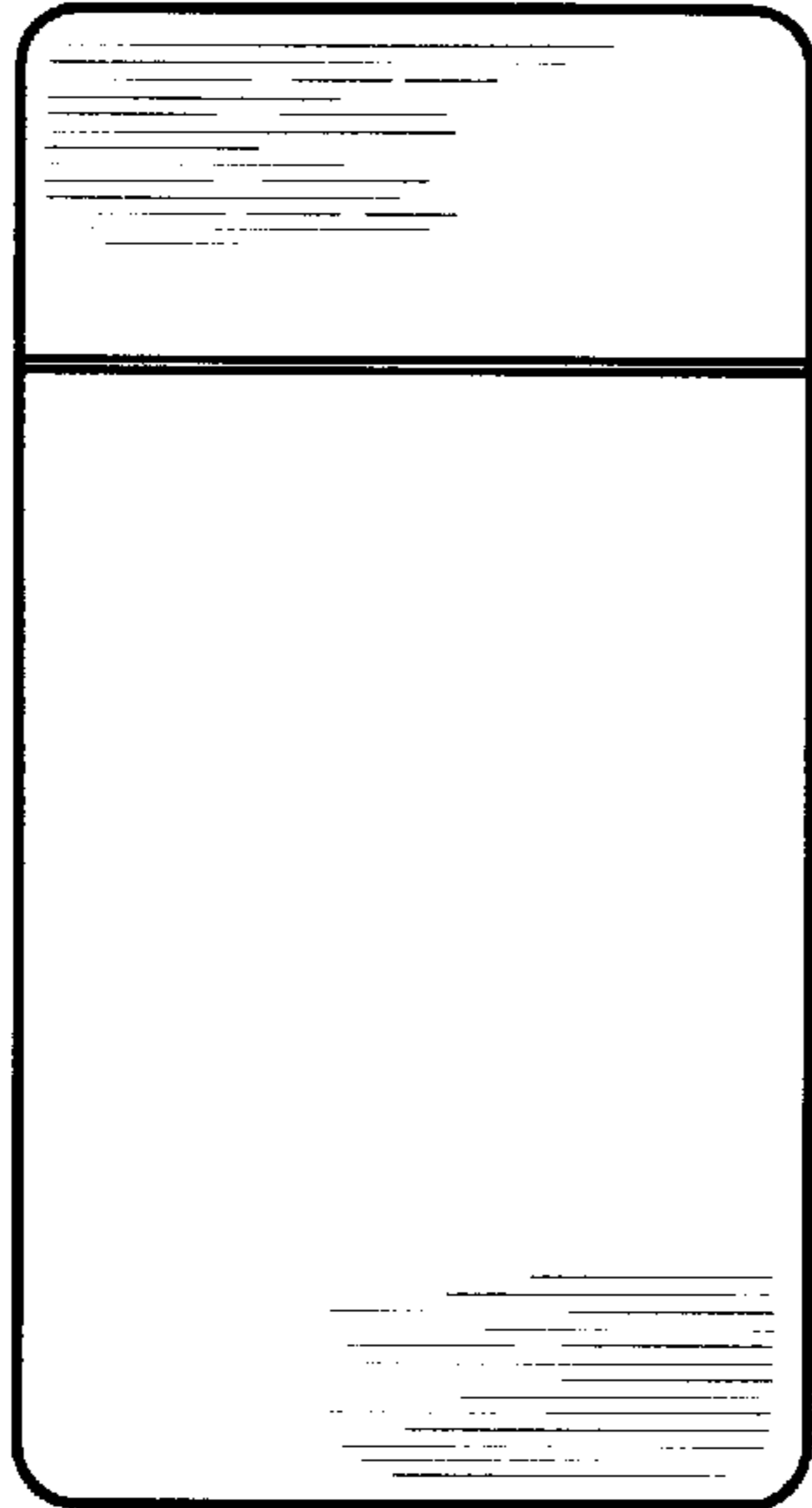


Fig 2

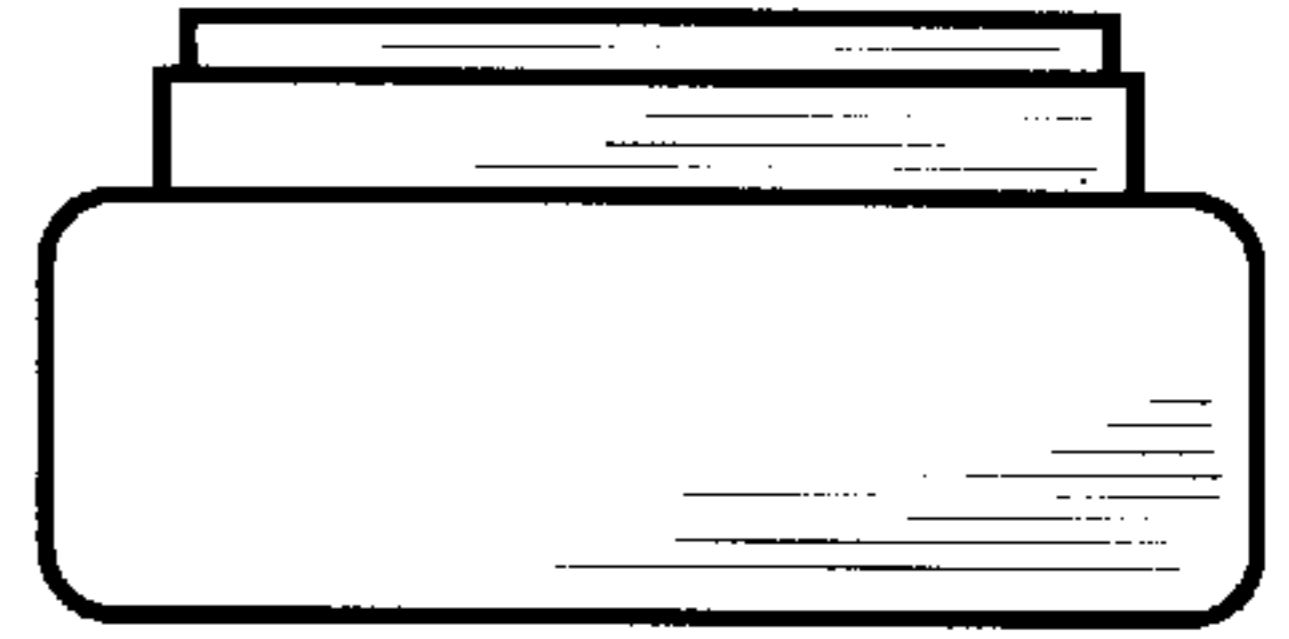


Fig 4

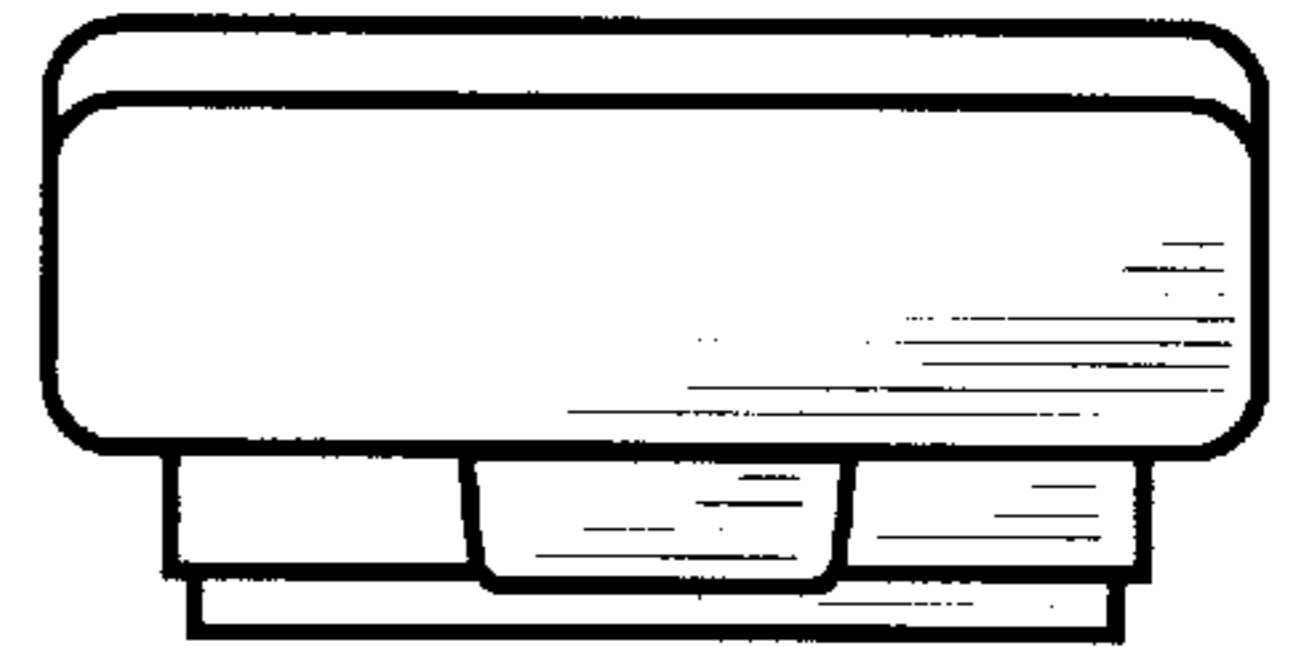


Fig 3

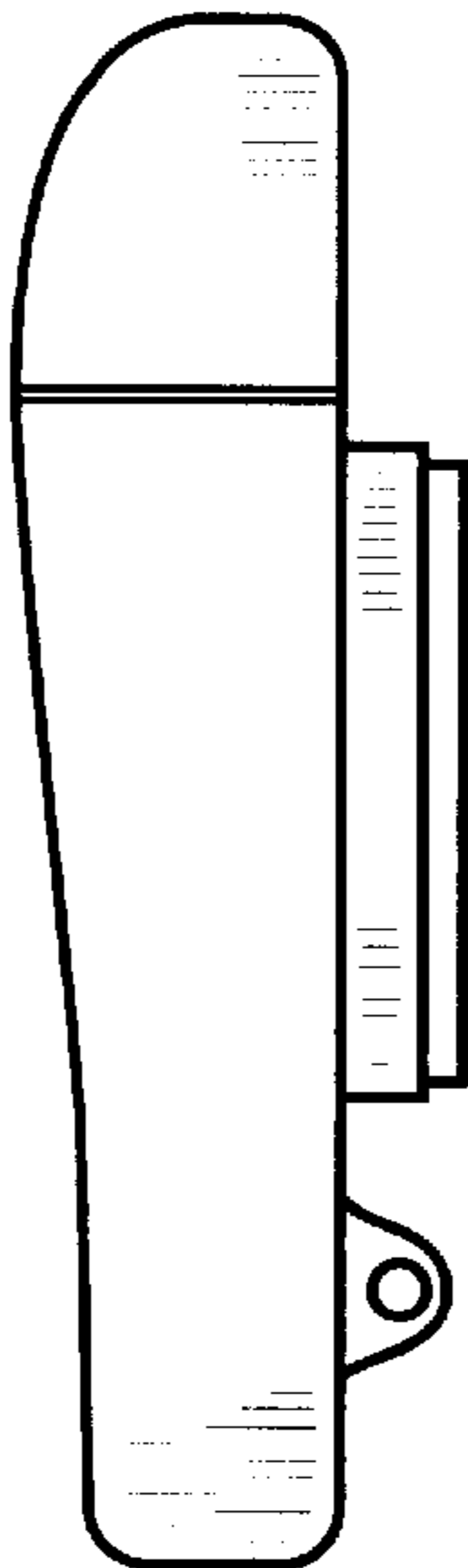


Fig 5

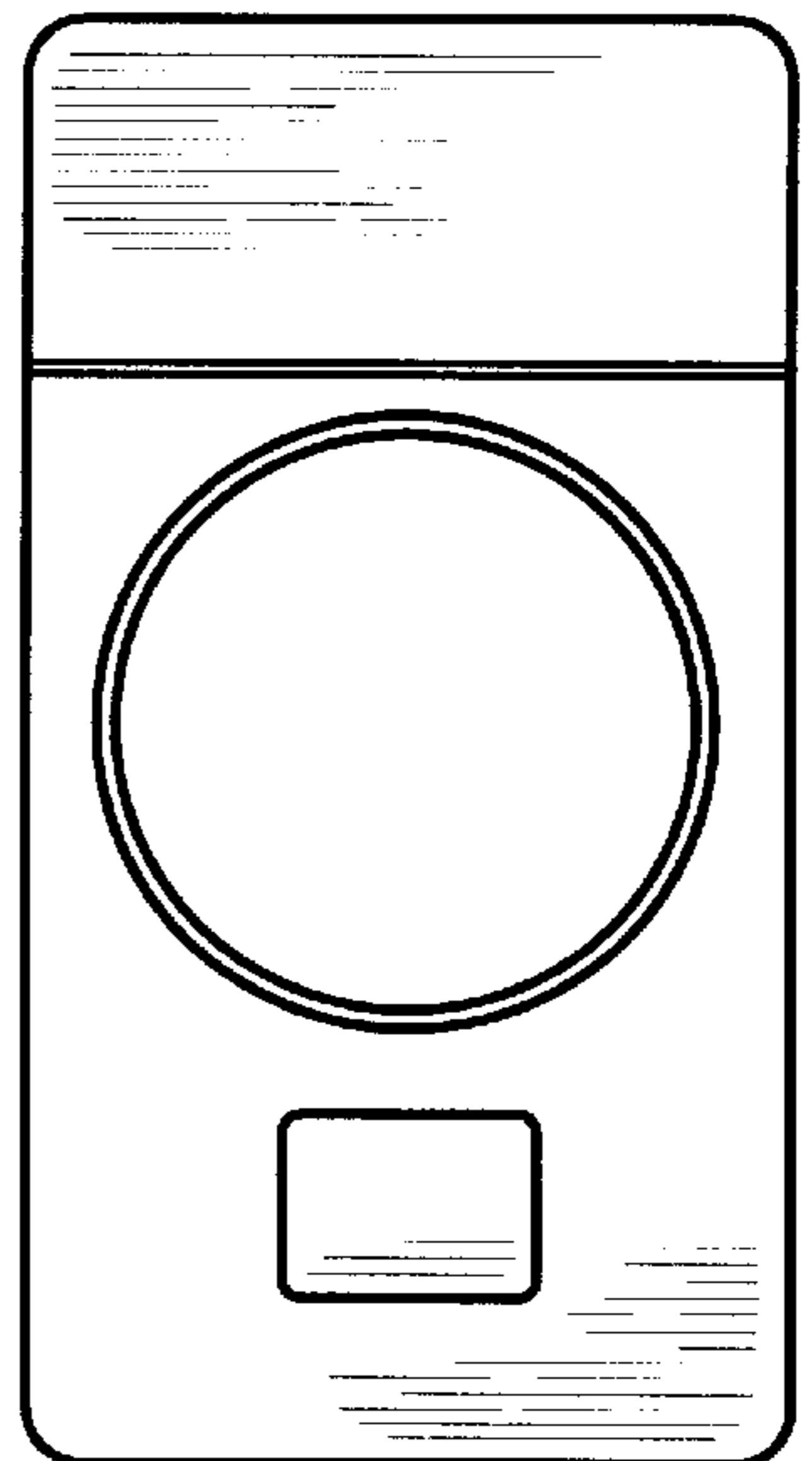


Fig 6

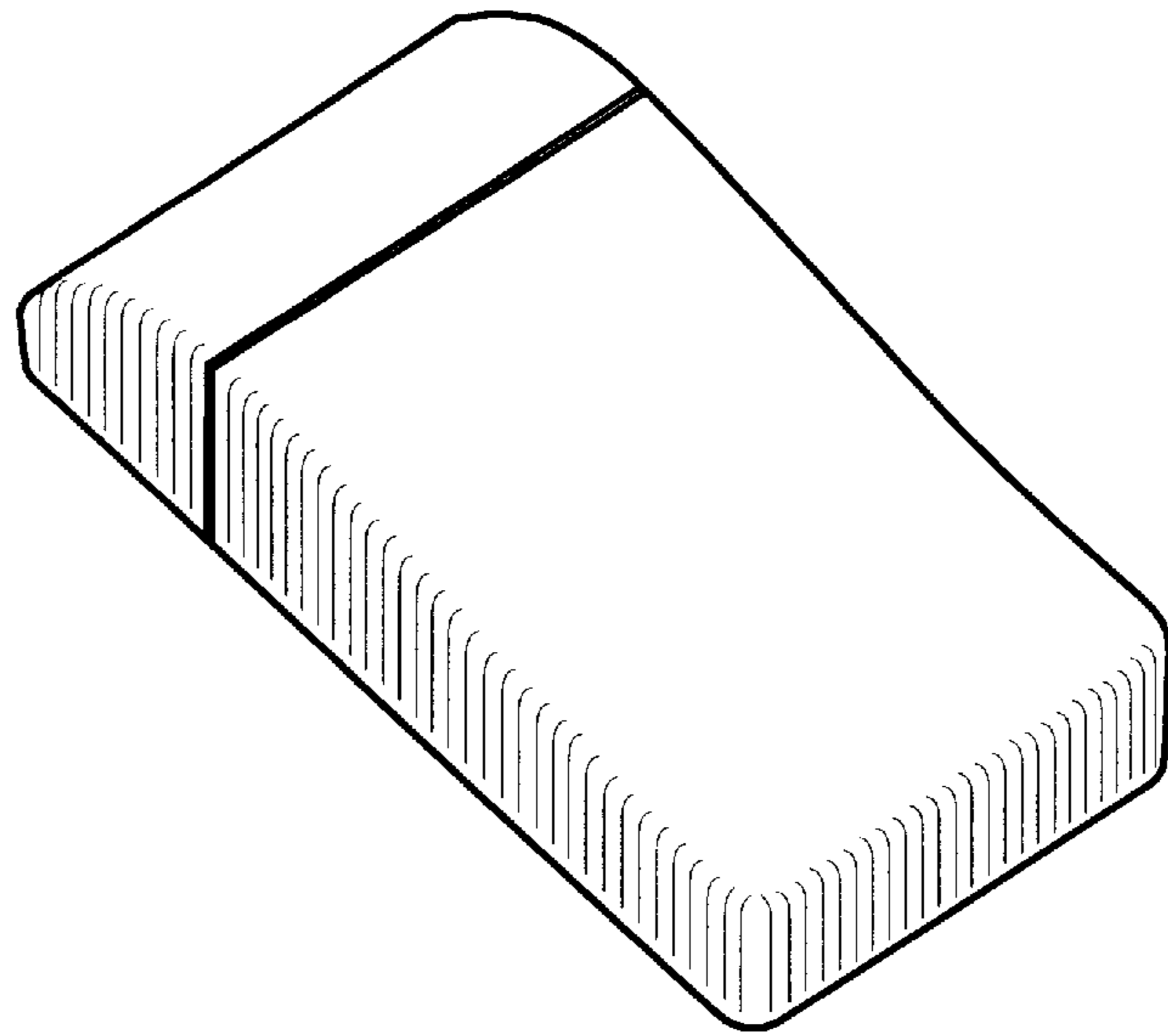


Fig 7

