



US00D401046S

United States Patent [19] McMullin

[11] **Patent Number: Des. 401,046**

[45] **Date of Patent: **Nov. 17, 1998**

[54] **GOLF CLEAT**

3,583,082 6/1971 Jordan, Jr. 36/59
4,014,114 3/1977 Jordan et al. 36/67 D

[75] Inventor: **Faris W. McMullin**, Boise, Id.

FOREIGN PATENT DOCUMENTS

[73] Assignee: **Softspikes, Inc.**, Rockville, Md.

0 342 232 11/1989 European Pat. Off. .
0 524 861 1/1993 European Pat. Off. .
25 29 027 1/1977 Germany .
467815 12/1951 Italy .

[**] Term: **14 Years**

[21] Appl. No.: **66,421**

Primary Examiner—Doris V. Coles
Attorney, Agent, or Firm—Fish & Neave; Jeffrey H. Ingerman

[22] Filed: **Feb. 6, 1997**

[51] **LOC (6) Cl.** **02-04**

[52] **U.S. Cl.** **D2/962**

[58] **Field of Search** D2/962; 36/126,
36/127, 128, 134, 59 R, 67 D, 114

[57] CLAIM

The ornamental design for a golf cleat, as shown and described.

[56] References Cited

DESCRIPTION

U.S. PATENT DOCUMENTS

D. 371,895	7/1996	McMullin	D2/962
D. 371,896	7/1996	McMullin	D2/962
D. 373,675	9/1996	McMullin	D2/962
D. 385,988	11/1997	McMullin	D2/962
D. 387,548	12/1997	McMullin	D2/962
D. 389,299	1/1998	McMullin	D2/962
1,876,195	9/1932	Youmans	36/128

FIG. 1 is a bottom perspective view of a golf cleat showing my new design;
FIG. 2 is a top plan view thereof;
FIG. 3 is a side elevational view thereof, the golf cleat being symmetrical; and,
FIG. 4 is a bottom plan view thereof.

1 Claim, 2 Drawing Sheets

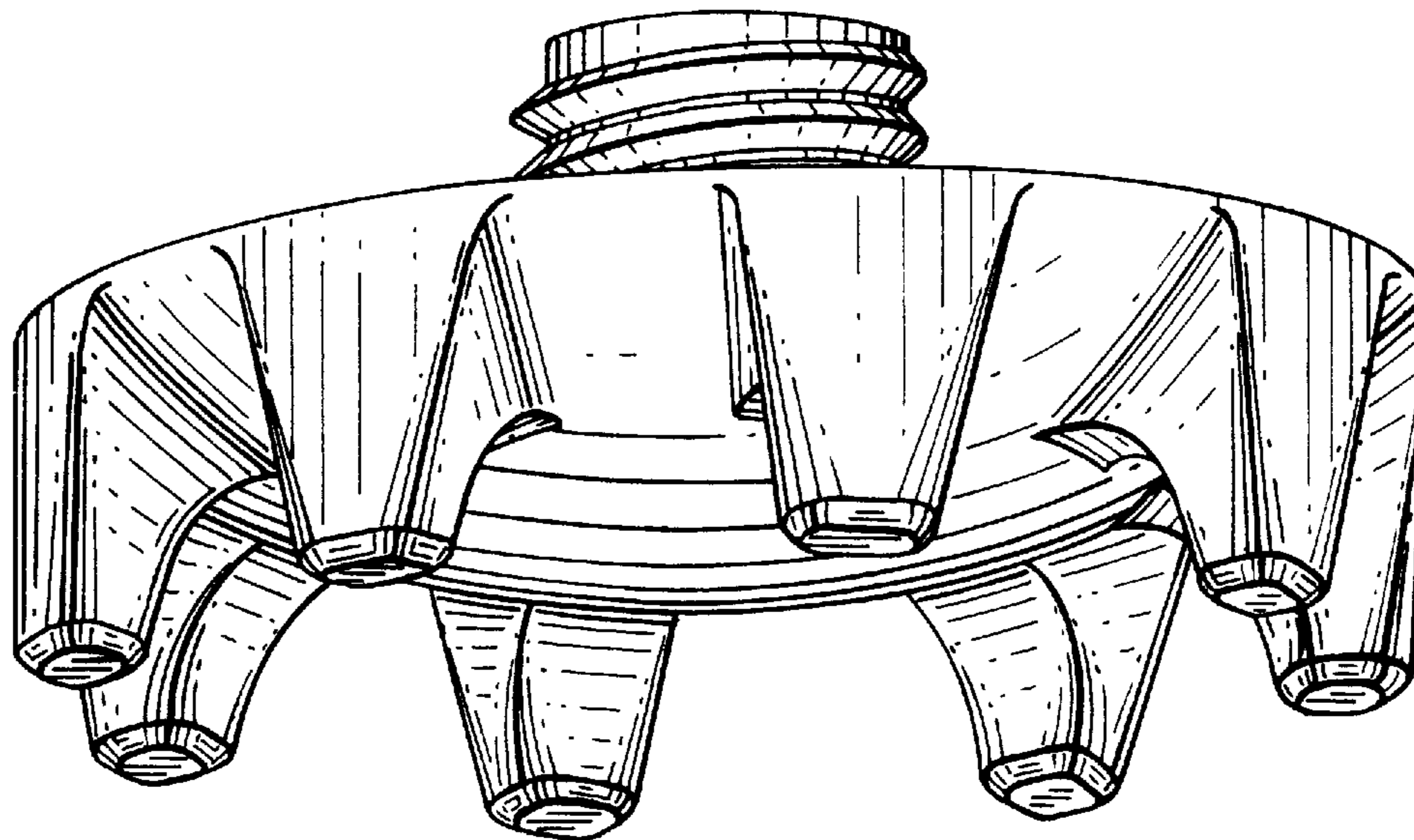


FIG. 1

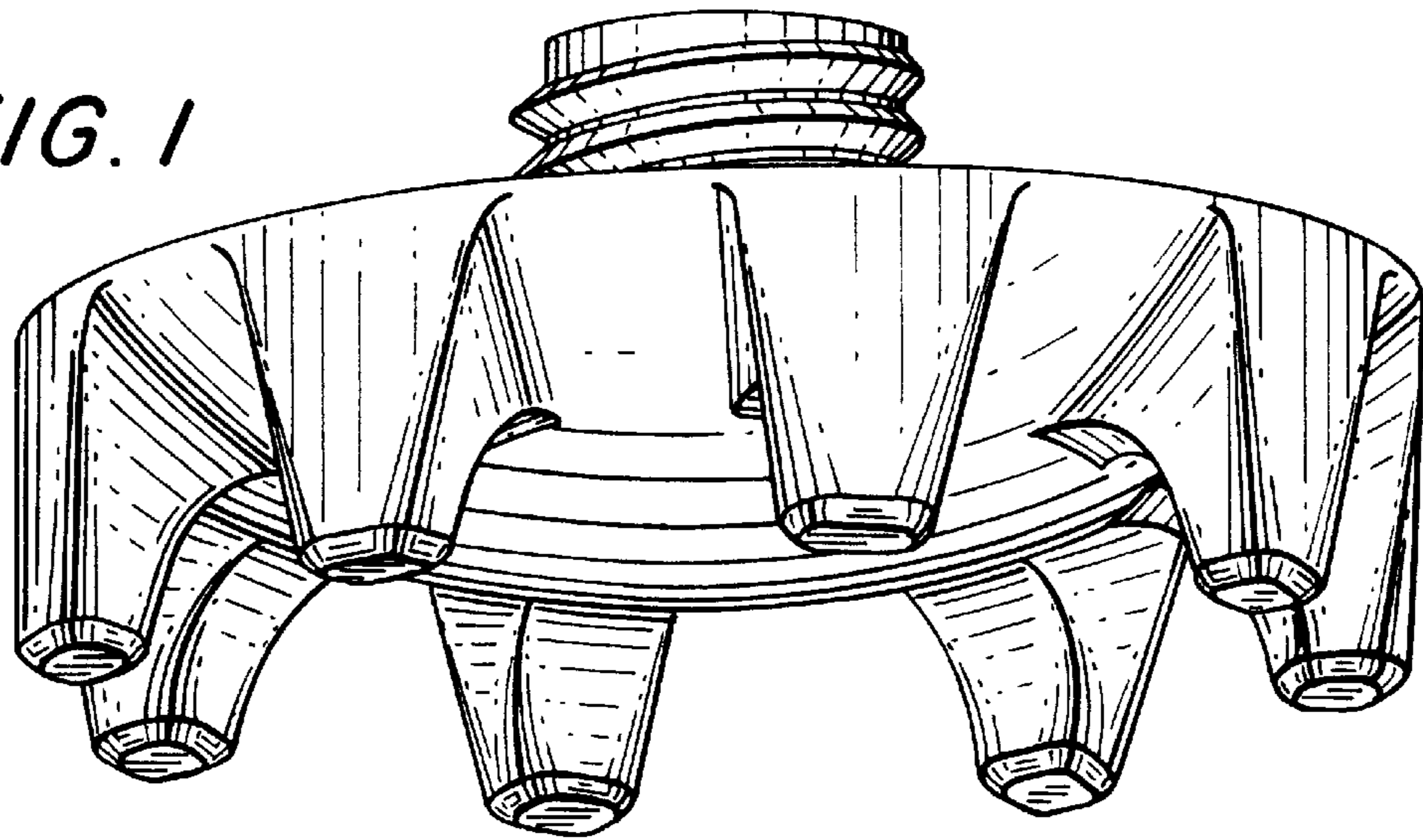


FIG. 2

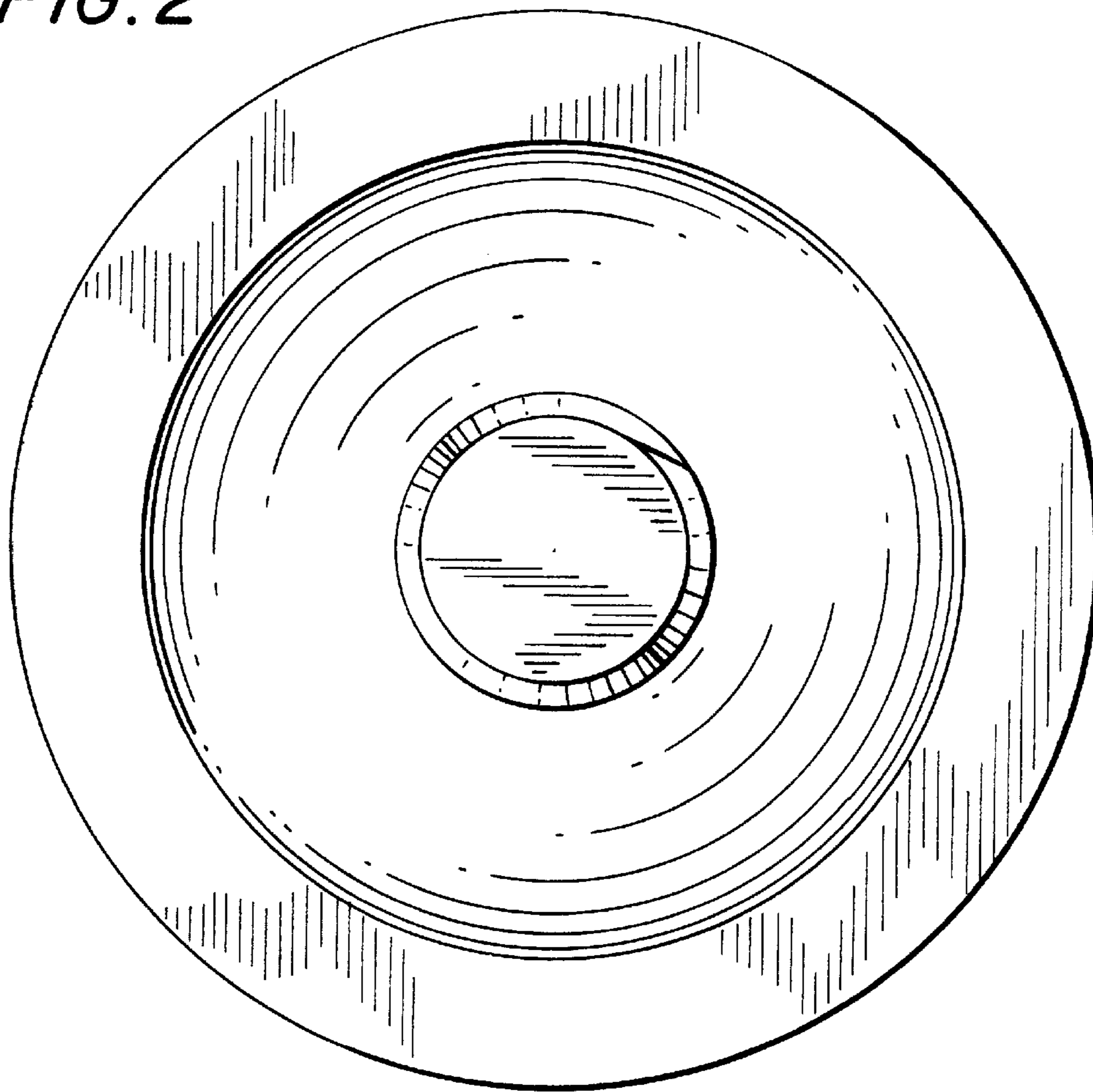


FIG. 3

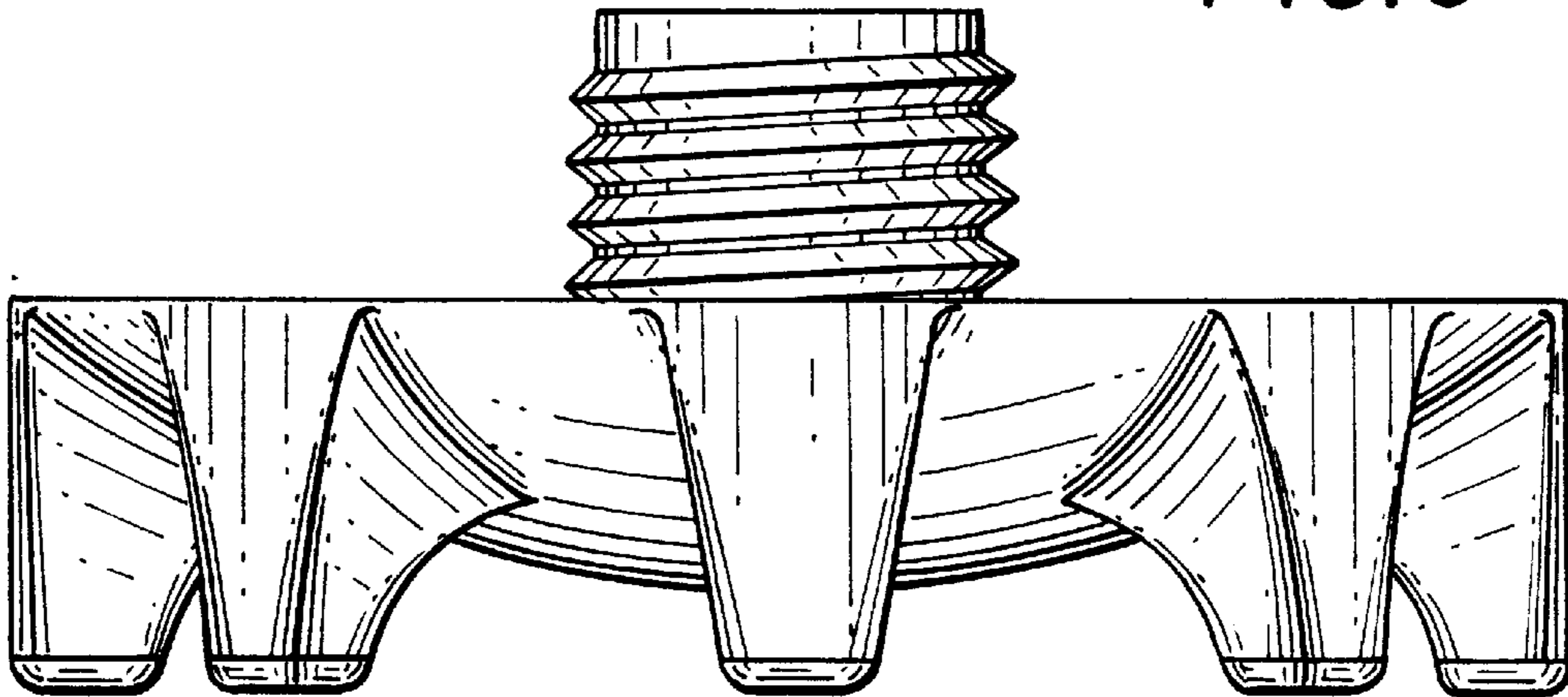


FIG. 4

