



US00D401036S

# United States Patent [19] Clegg

[11] **Patent Number: Des. 401,036**

[45] **Date of Patent: \*\*Nov. 17, 1998**

[54] **ALLIGATOR SHAPED HEAD BAND**

5,285,530 2/1994 Nardone, Jr. .... 2/209

[76] Inventor: **Glenn M Clegg**, 2300 Reagan St. #214,  
Dallas, Tex. 75219

### OTHER PUBLICATIONS

Gifts and Decorative Accessories (Top Left Headband), Mar. 1980.

Playthings (Center Horn Head), Mar. 1959.

[\*\*] Term: **14 Years**

*Primary Examiner*—Paula A. Mortimer

[21] Appl. No.: **77,911**

[22] Filed: **Aug. 12, 1997**

### [57] CLAIM

[51] **LOC (6) Cl.** ..... **02-03**

The ornamental design for an alligator shaped head band, as shown and described.

[52] **U.S. Cl.** ..... **D2/869**

[58] **Field of Search** ..... D2/865, 869, 872;  
D29/100, 112; 2/209; D28/41

### DESCRIPTION

### [56] References Cited

FIG. 1 is a front perspective view of an alligator shaped head band showing our new design;

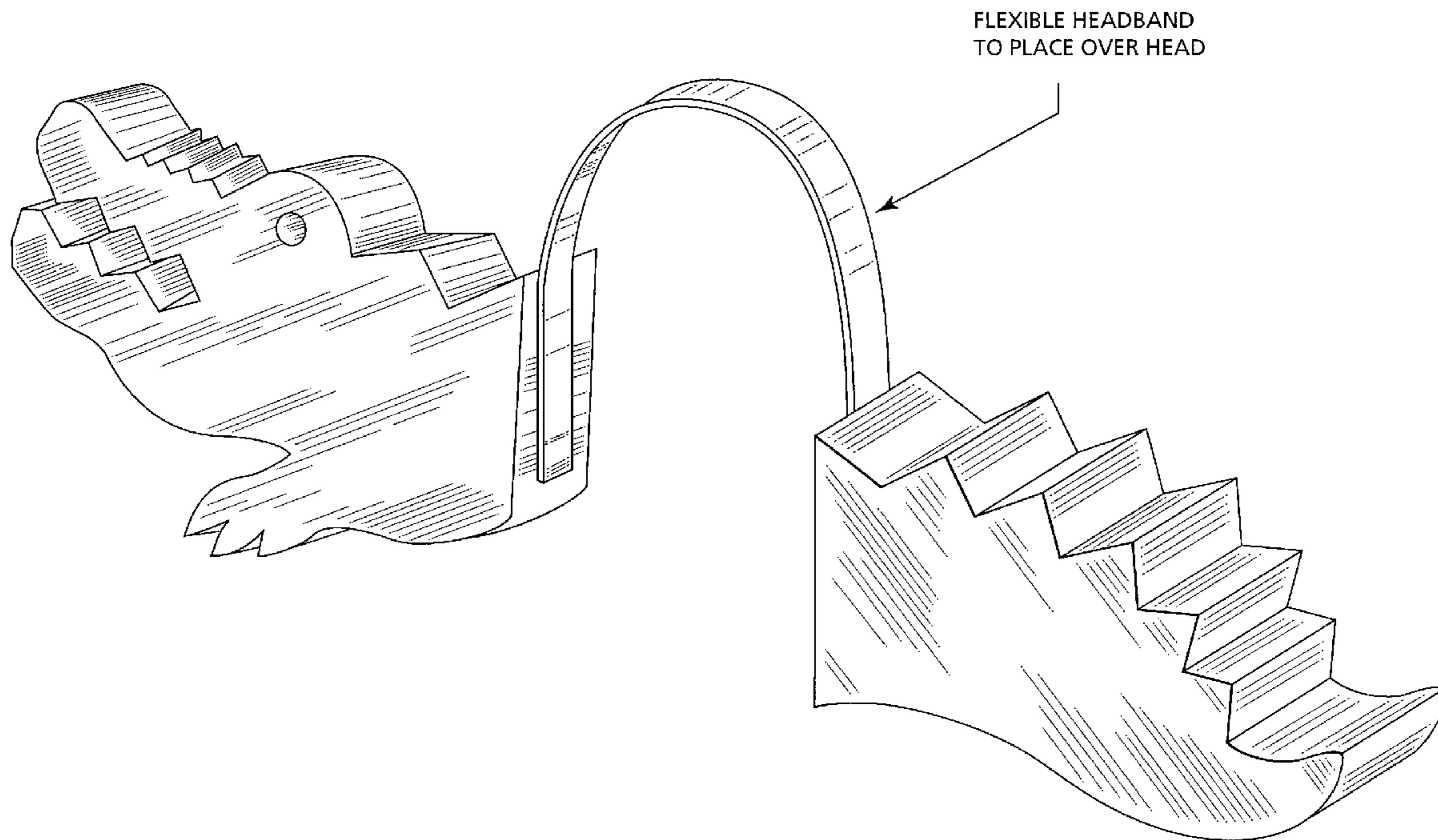
FIG. 2 is a front elevation of the alligator shaped head band; and,

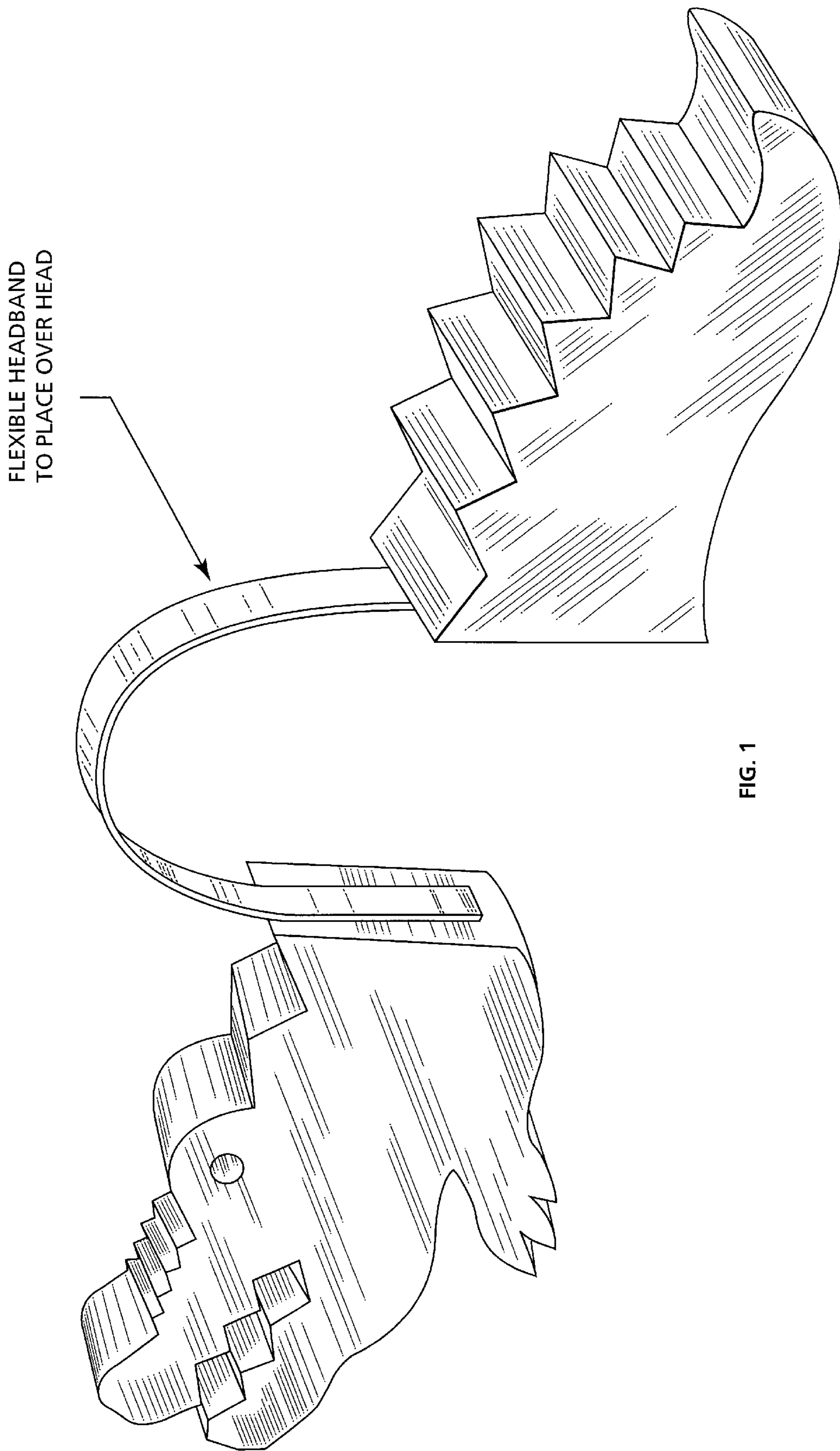
FIG. 3 is a top elevation view of the alligator shaped head band.

#### U.S. PATENT DOCUMENTS

D. 247,333	2/1978	Dame	.....	D2/869
D. 288,141	2/1987	Pozzini	.....	D29/112
D. 371,639	7/1996	Schmitt	.....	D29/112
3,184,757	5/1965	Pennington	.....	D2/872 X
4,747,164	5/1988	Foulke	.....	D2/872 X

**1 Claim, 2 Drawing Sheets**





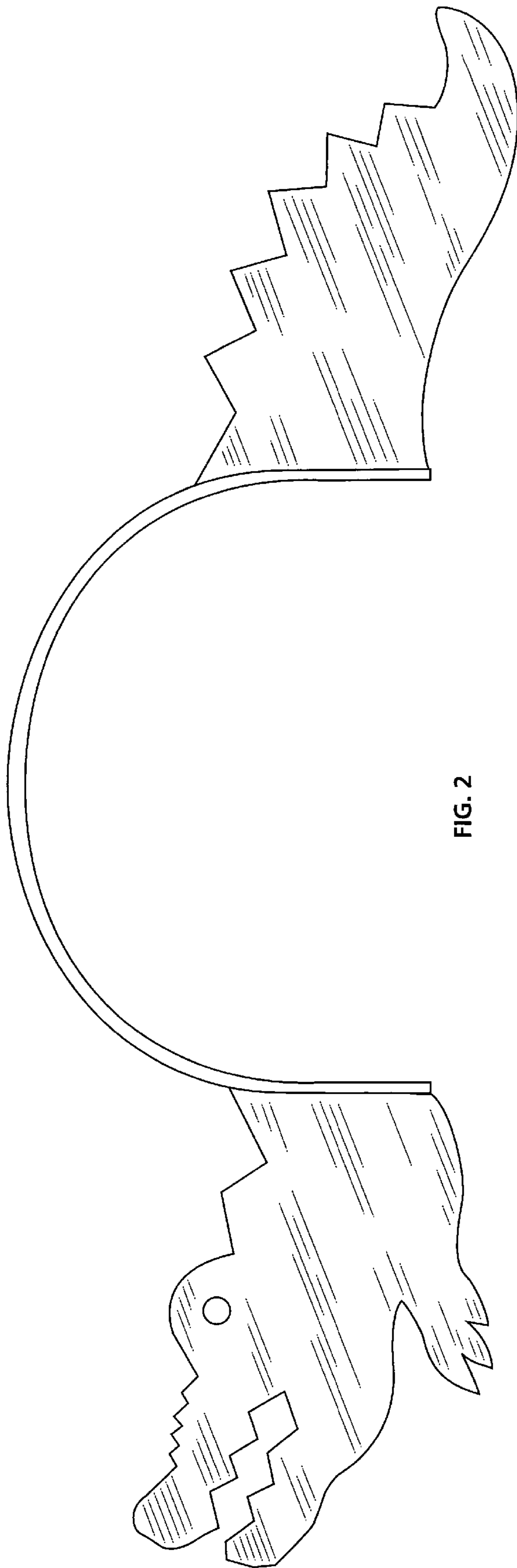


FIG. 2

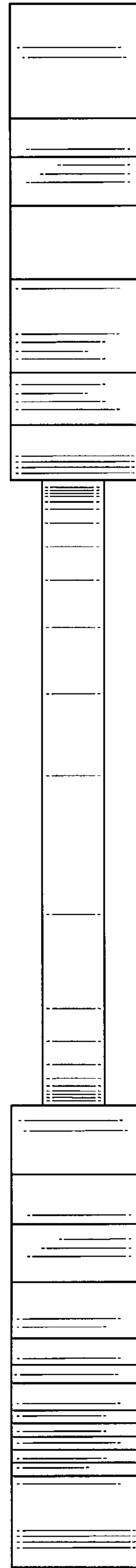


FIG. 3