



US00D401033S

United States Patent [19] Genovese

[11] Patent Number: Des. 401,033

[45] Date of Patent: **Nov. 10, 1998

[54] VENDING CART

OTHER PUBLICATIONS

[76] Inventor: Alan A. Genovese, 702 Spirit 40 Park, Suite 110, Clarkson Valley, Mo. 63005

Lucky Dogs, Inc. U.S. Trademark Registration No. 1,429, 464; Lucky Dogs and Design; Registered Feb. 17, 1987.

[**] Term: 14 Years

Primary Examiner—Kay H. Chin
Attorney, Agent, or Firm—Senniger, Powers, Leavitt & Roedel

[21] Appl. No.: 77,112

[22] Filed: Sep. 23, 1997

[57] CLAIM

Related U.S. Application Data

The ornamental design for a vending cart, as shown and described.

[63] Continuation-in-part of Ser. No. 56,948, Jul. 12, 1996, Pat. No. Des. 384,463.

DESCRIPTION

[51] LOC (6) Cl. 12-02

[52] U.S. Cl. D34/13

[58] Field of Search D34/12-27; 296/22

FIG. 1 is a front elevational view of a vending cart embodying my new design, the rear being a mirror image of this view;

FIG. 2 is a top plan view;

FIG. 3 is a bottom plan view;

FIG. 4 is an end elevational view of the cart as viewed from the right of FIG. 1; and,

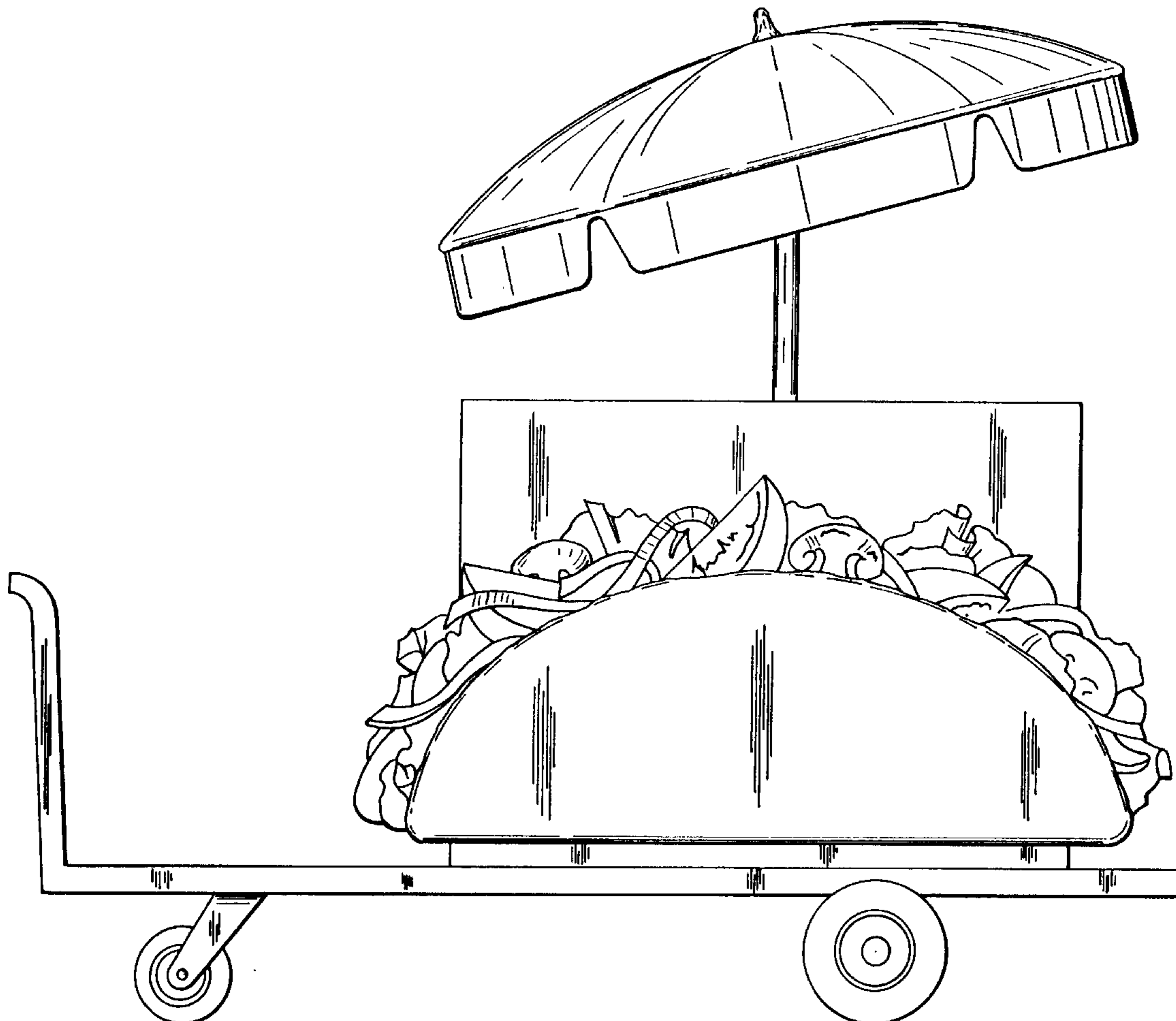
FIG. 5 is an end elevational view of the cart as viewed from the left of FIG. 1.

[56] References Cited

U.S. PATENT DOCUMENTS

D. 154,788	8/1949	Loyacano et al.	D34/13
D. 228,063	8/1973	Keeshin et al.	D34/14
D. 383,280	9/1997	Genovese	D34/13
D. 384,463	9/1997	Genovese	D34/13
D. 388,023	12/1997	Genovese	D12/1

1 Claim, 4 Drawing Sheets



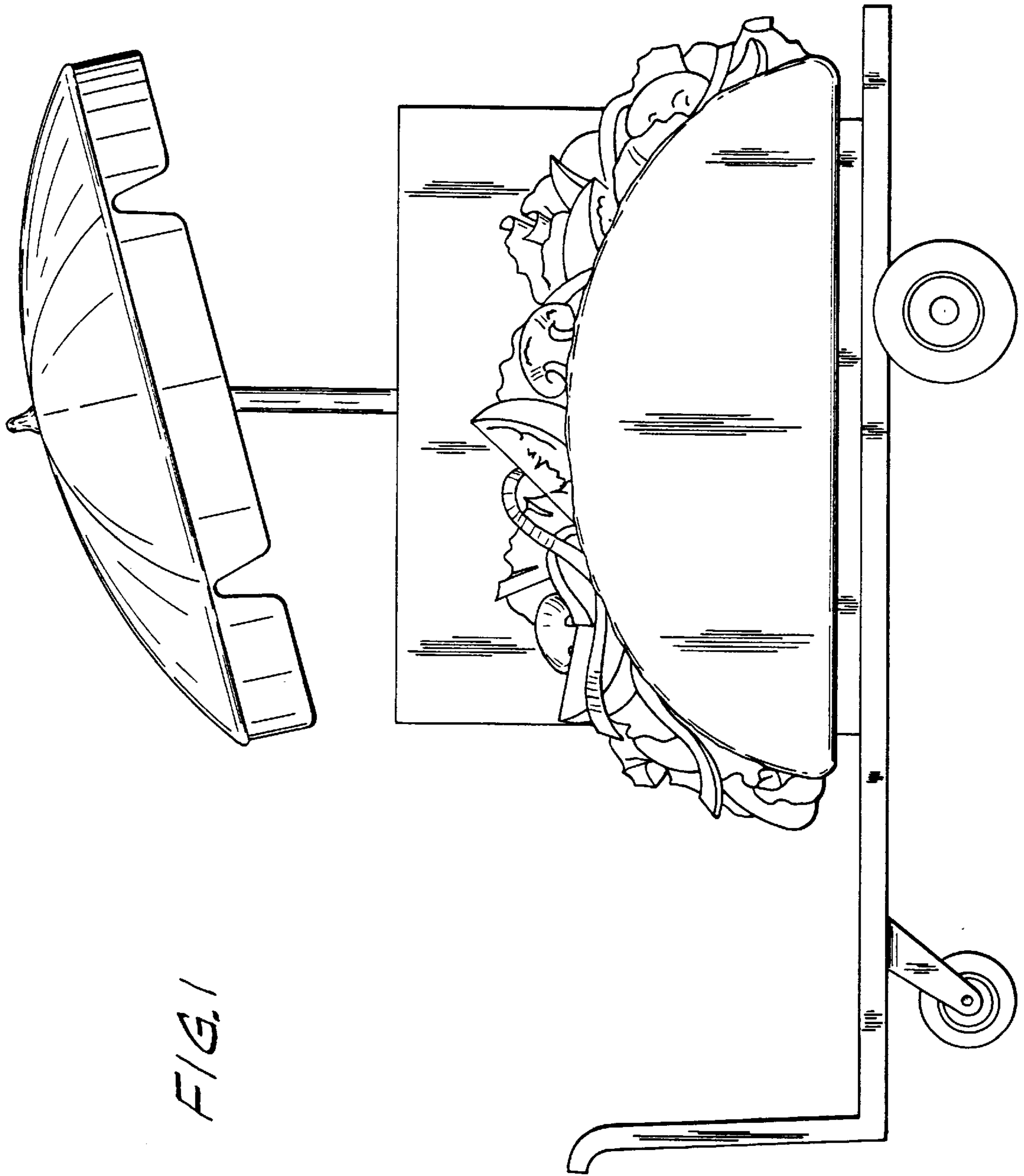


FIG. 1

