



US00D401031S

United States Patent [19] Lindahl

[11] **Patent Number: Des. 401,031**

[45] **Date of Patent: **Nov. 10, 1998**

[54] **JACK/AXLE STAND**

4,616,807 10/1986 Cheng 254/93 H
5,520,360 5/1996 Wensman 248/188.5
5,522,583 6/1996 Matrin 254/93 H

[75] Inventor: **Börje Lindahl**, Åseda, Sweden

[73] Assignee: **Volvo Articulated Haulers Ab**, Vaxjo, Sweden

[**] Term: **14 Years**

Primary Examiner—Alan P. Douglas
Assistant Examiner—Robin V. Taylor
Attorney, Agent, or Firm—IP Group of Pillsbury Madison & Sutro LLP

[21] Appl. No.: **72,229**

[57] **CLAIM**

[22] Filed: **May 6, 1997**

The ornamental design for a jack/axle stand, as shown.

[30] **Foreign Application Priority Data**

DESCRIPTION

Nov. 6, 1996 [SE] Sweden 96 2342

FIG. 1 is a perspective view showing the top side, the right side and the front of the jack/axle stand according to the new design;

[51] **LOC (6) Cl.** **12-05**

[52] **U.S. Cl.** **D34/31**

FIG. 2 shows the jack/axle stand from the right;

[58] **Field of Search** D34/28, 31, 33;

254/88, 84, 83, 11, 93 H

FIG. 3 shows the jack/axle stand from the left;

FIG. 4 shows the jack/axle stand from behind;

FIG. 5 shows the jack/axle stand from the front;

FIG. 6 shows the jack/axle stand from below; and,

FIG. 7 shows the jack/axle stand from above.

[56] **References Cited**

U.S. PATENT DOCUMENTS

D. 345,844 4/1994 Steele D34/31

1 Claim, 3 Drawing Sheets

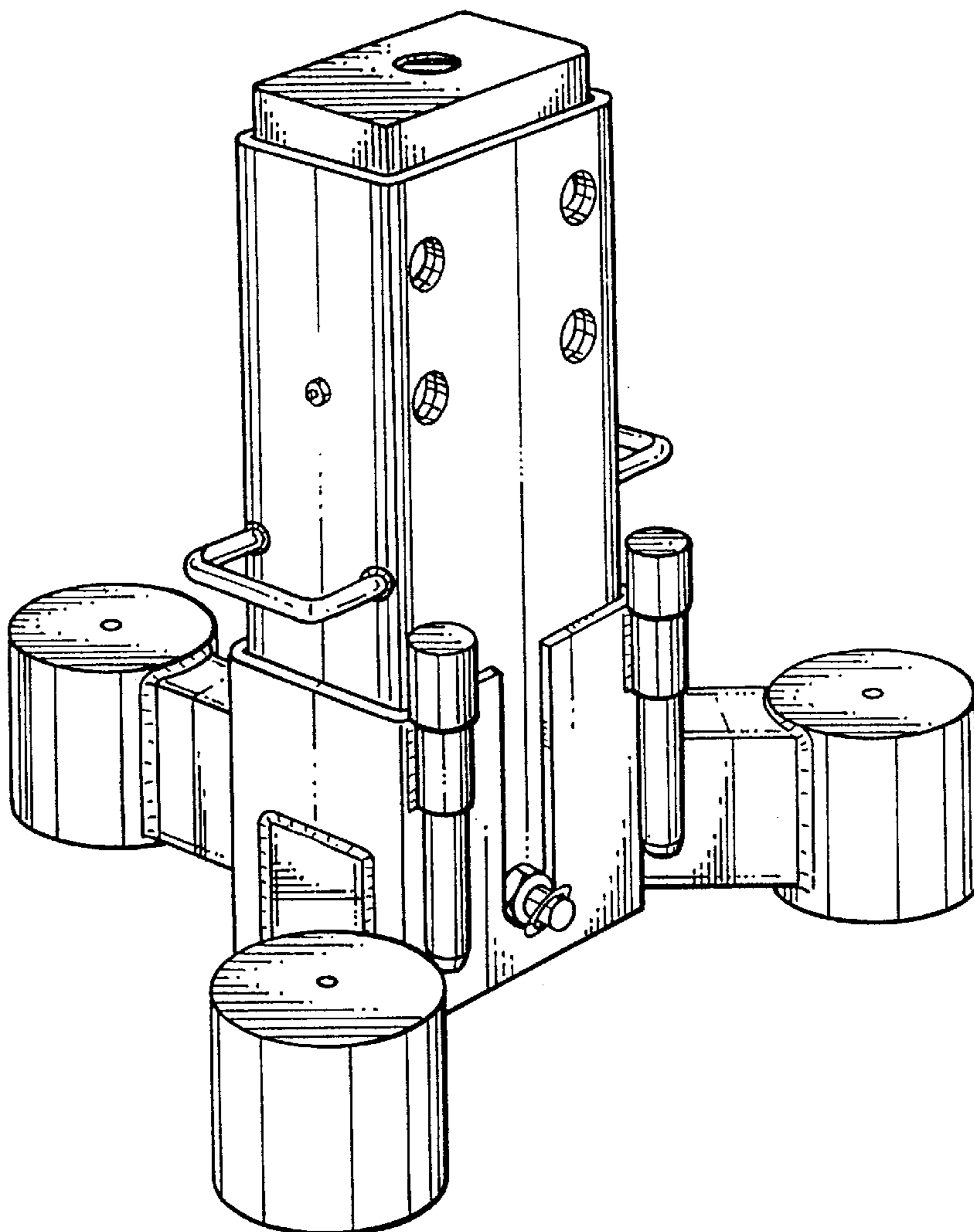


FIG. 1

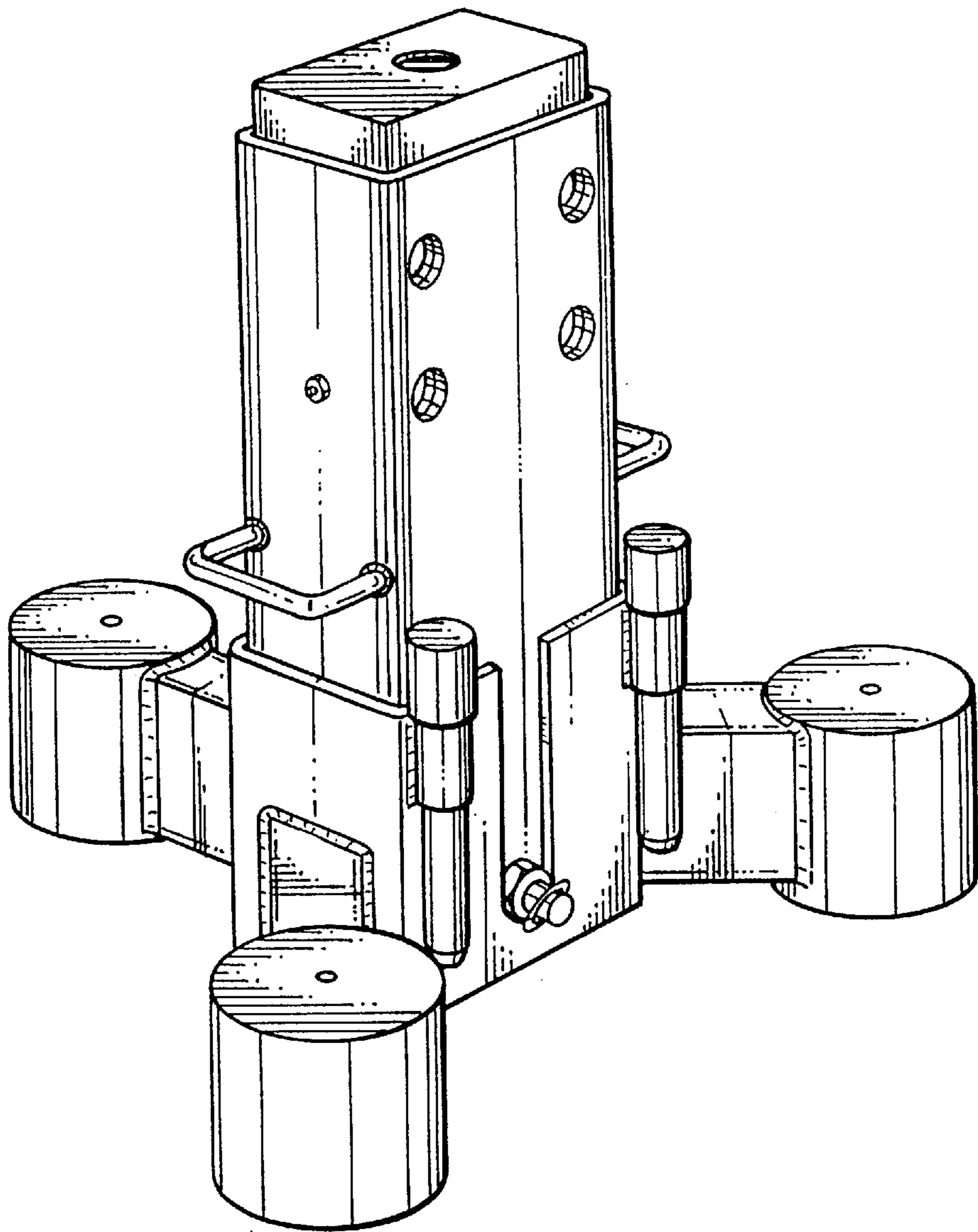


FIG.2

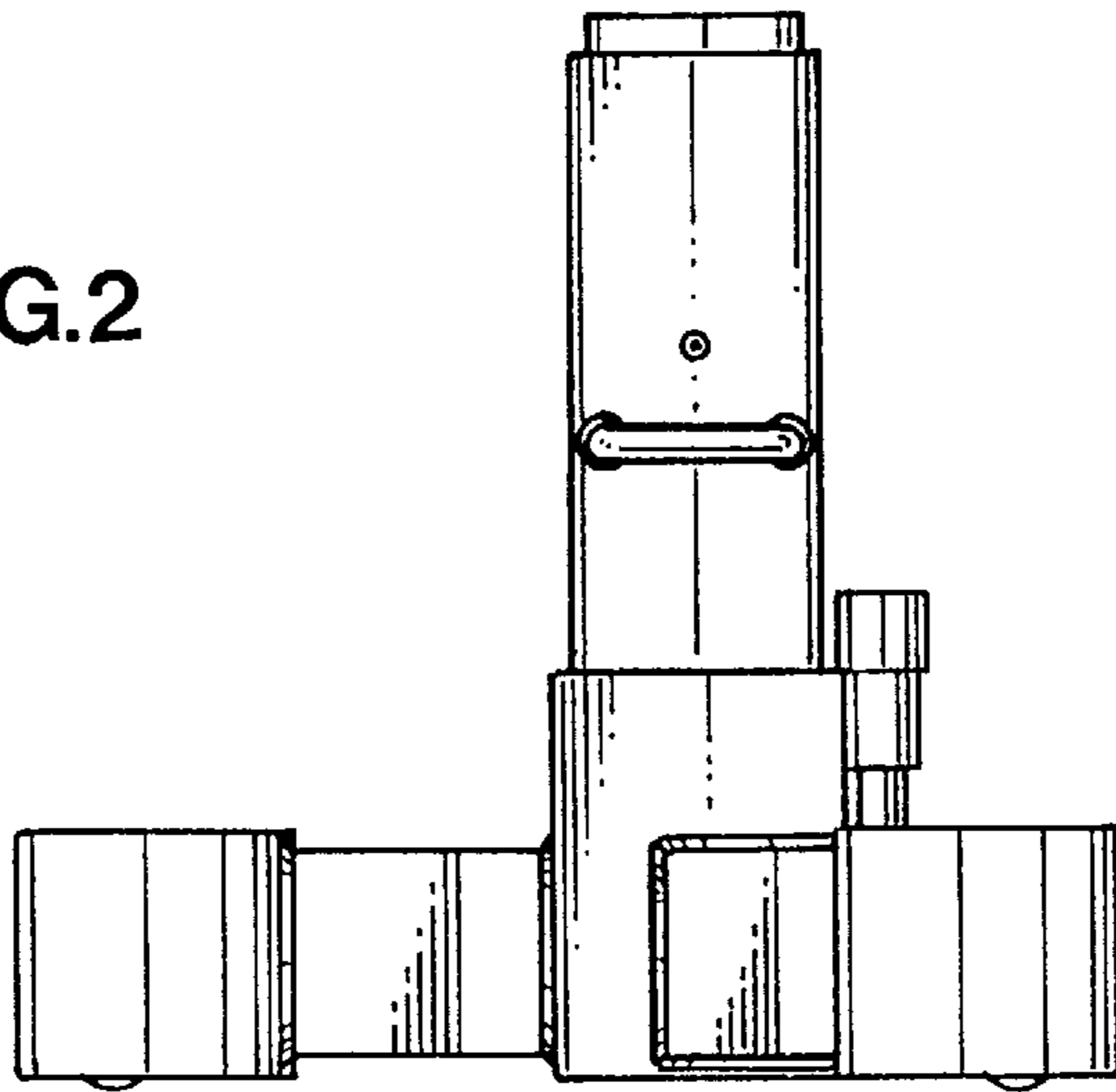


FIG.3

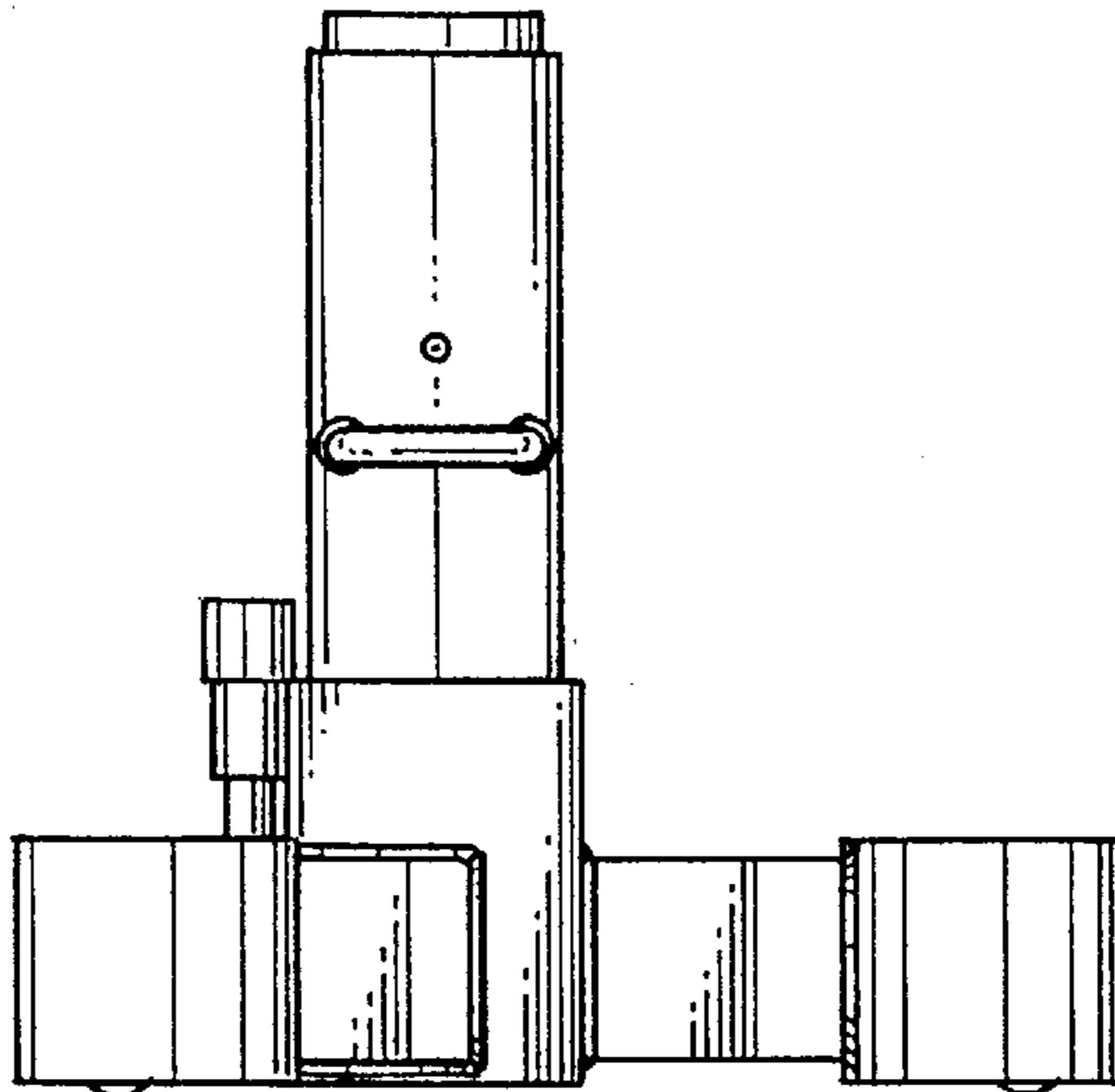


FIG.4

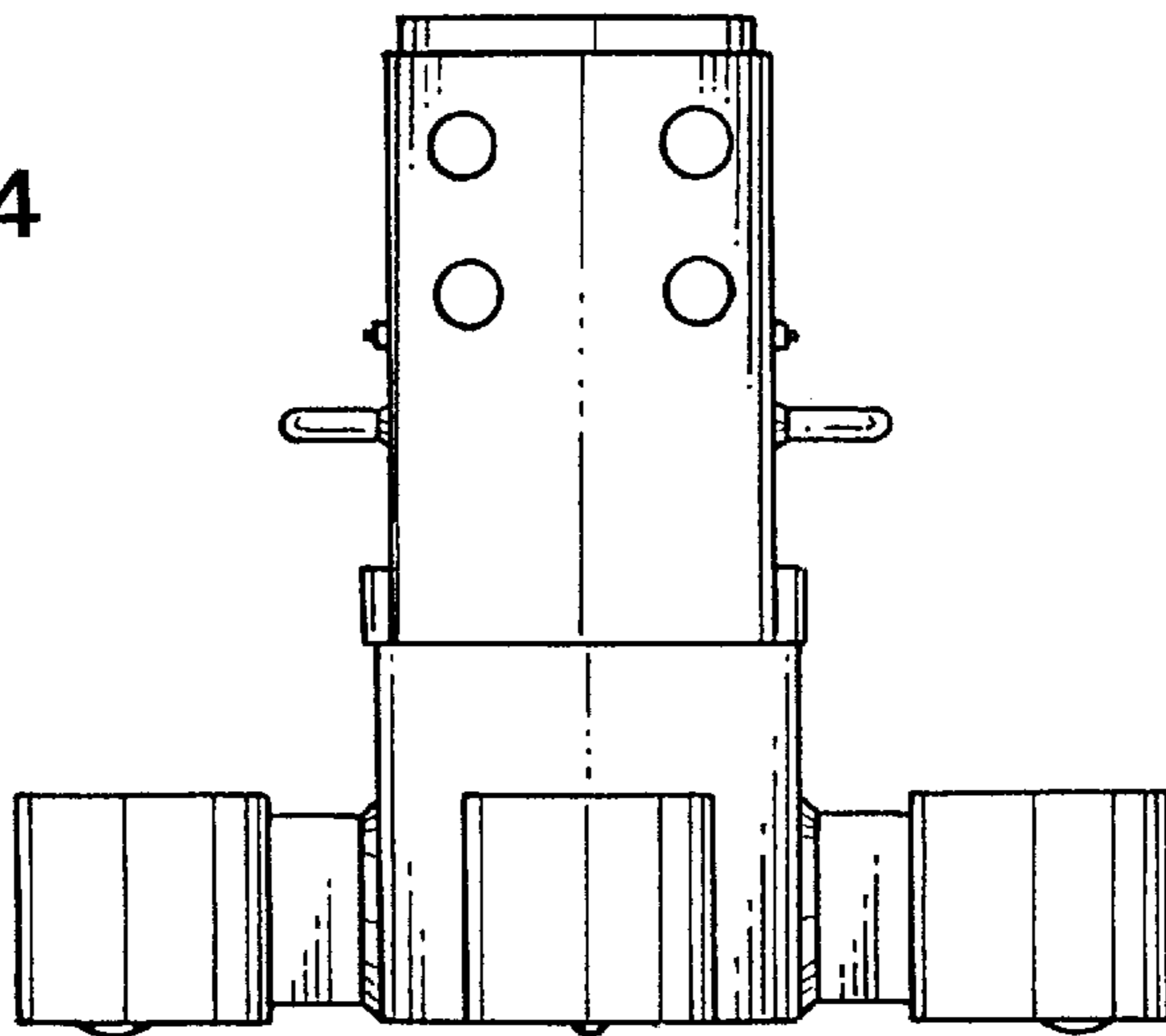


FIG.6

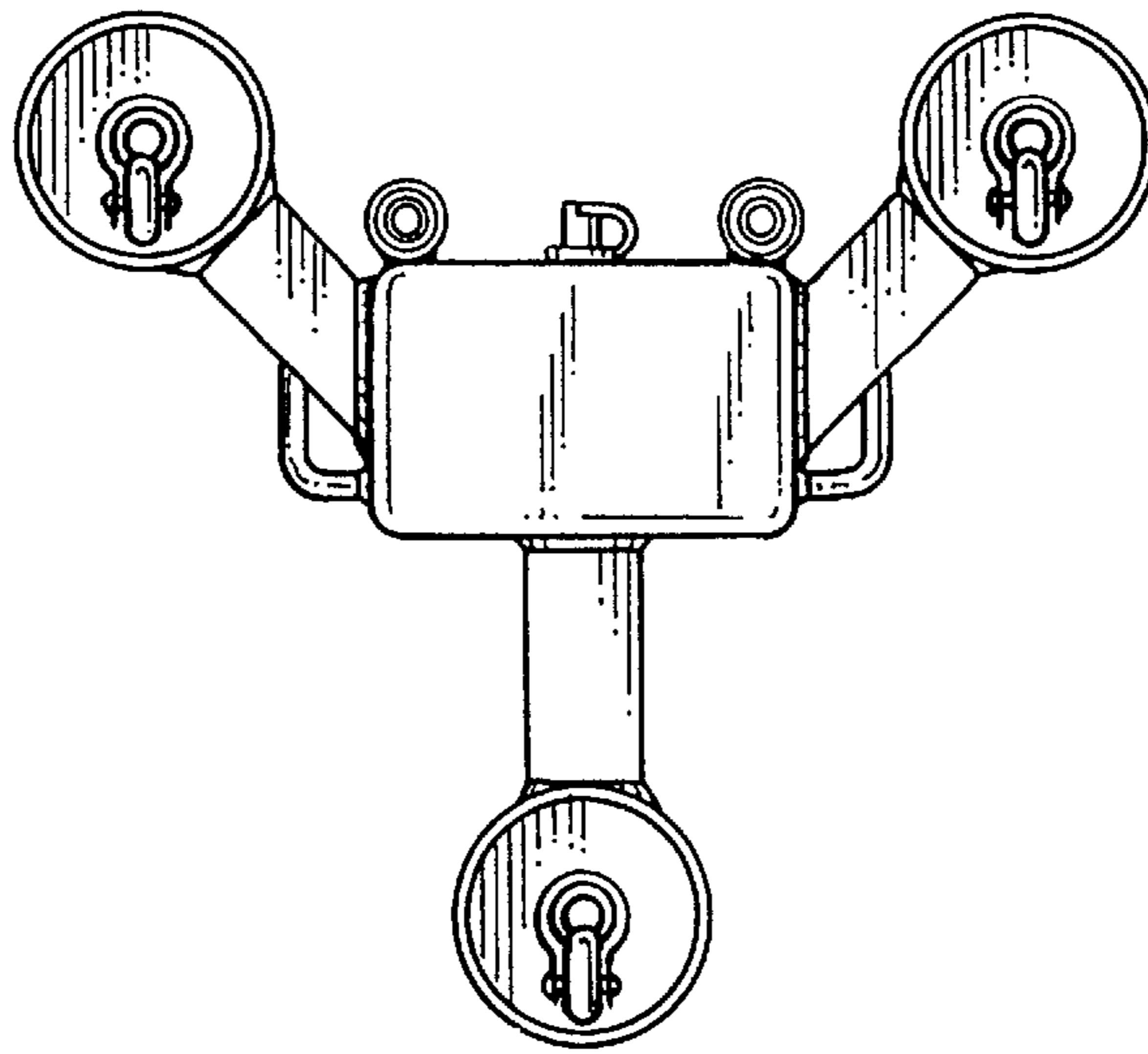


FIG.5

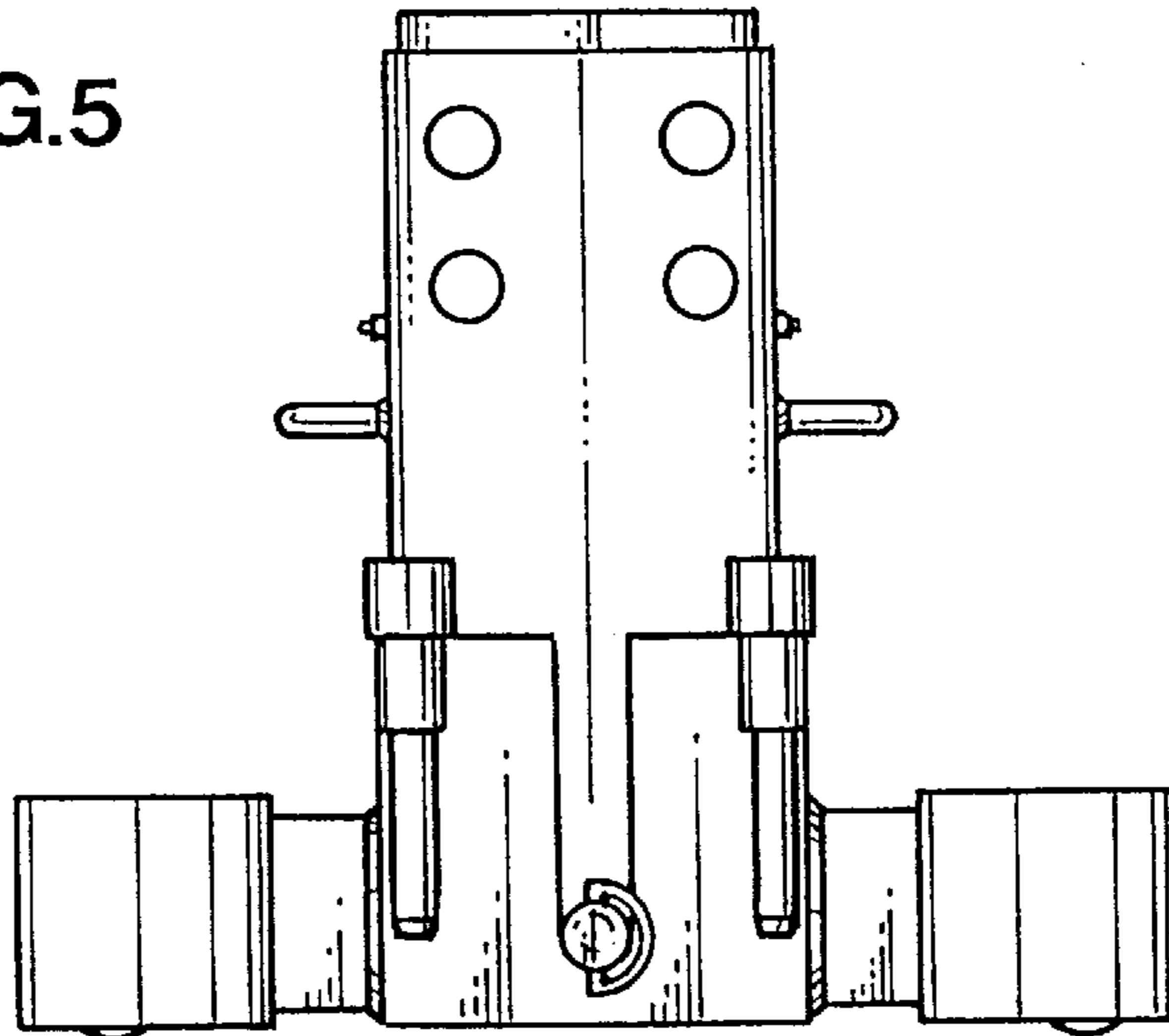


FIG.7

