



US00D401030S

United States Patent [19] De Deyne

[11] **Patent Number: Des. 401,030**

[45] **Date of Patent: **Nov. 10, 1998**

[54] **PORTABLE LIFTING AID FOR THE HANDICAPPED**

5,347,666 9/1994 Kippes 5/81.1
5,662,131 9/1997 Scarborough et al. 5/83.1
5,692,253 12/1997 Keijser et al. 5/83.1

[75] Inventor: **Gustave De Deyne**, Box 7259 Diamond Head, Hot Springs, Ark. 71913

Primary Examiner—Alan P. Douglas
Assistant Examiner—Robin V. Taylor

[73] Assignee: **Gustave De Deyne**, Hot Springs, Ark.

[**] Term: **14 Years**

[57] **CLAIM**

[21] Appl. No.: **68,700**

The ornamental design for a portable lifting aid for the handicapped, as shown and described.

[22] Filed: **Mar. 27, 1997**

DESCRIPTION

Related U.S. Application Data

[62] Division of Ser. No. 51,118, Mar. 4, 1996, Pat. No. Des. 384,469.

FIG. 1 is a front isometric view of the preferred embodiment of my portable lifting aid for the handicapped;
FIG. 2 is a rear isometric view thereof;
FIG. 3 is a side elevational view, with the opposite side being a mirror image thereof;
FIG. 4 is a front elevational view thereof;
FIG. 5 is a rear elevational view thereof;
FIG. 6 is a top plan view thereof; and,
FIG. 7 is a bottom plan view thereof.

[51] **LOC (6) Cl.** **12-05**

[52] **U.S. Cl.** **D34/28**

[58] **Field of Search** D34/28, 33; 53/81.1 R, 53/81.1 T, 83.1, 89.1; 414/921

[56] **References Cited**

U.S. PATENT DOCUMENTS

D. 384,468 9/1997 Tobias D34/28

1 Claim, 3 Drawing Sheets

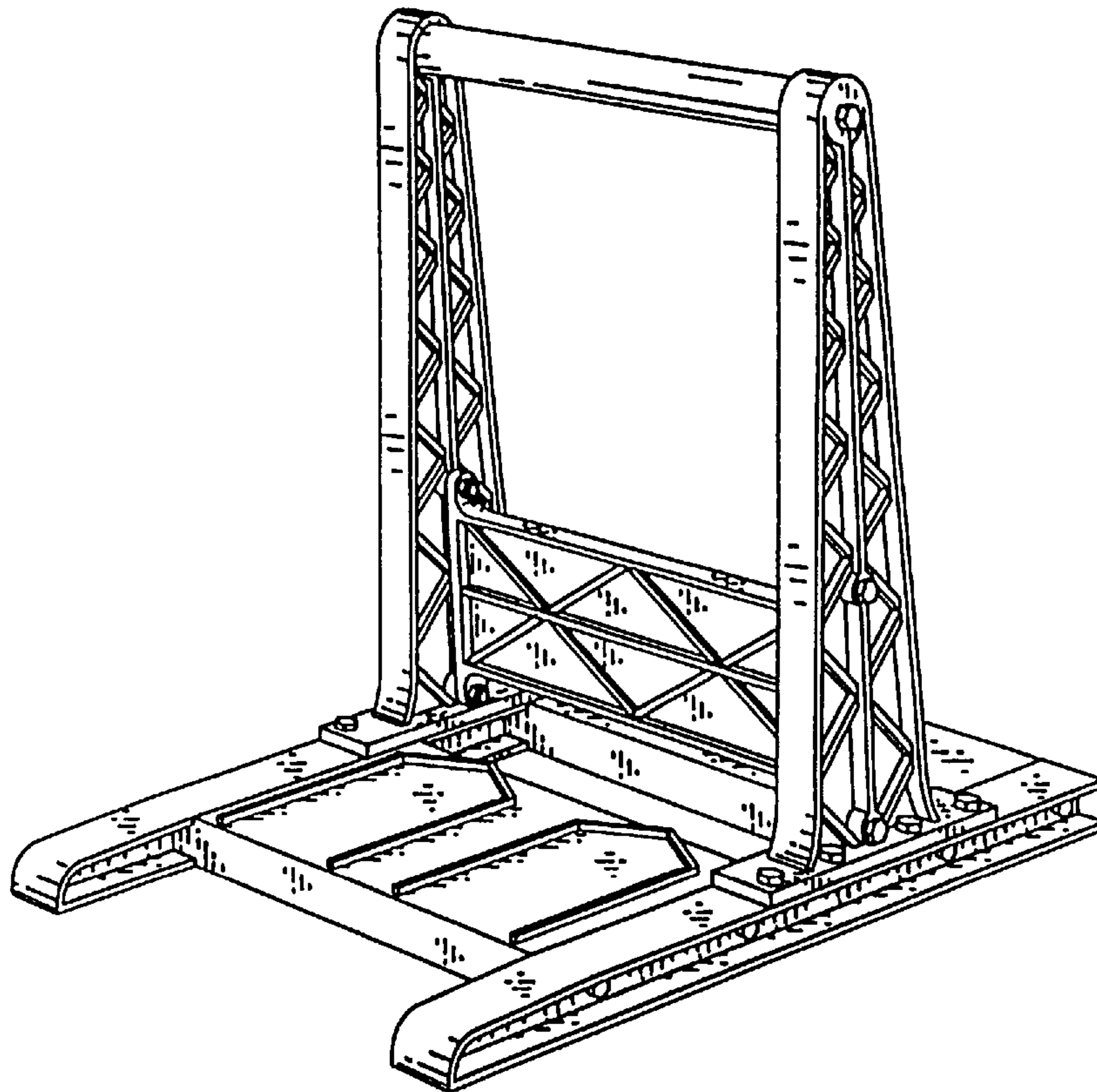


FIG.1

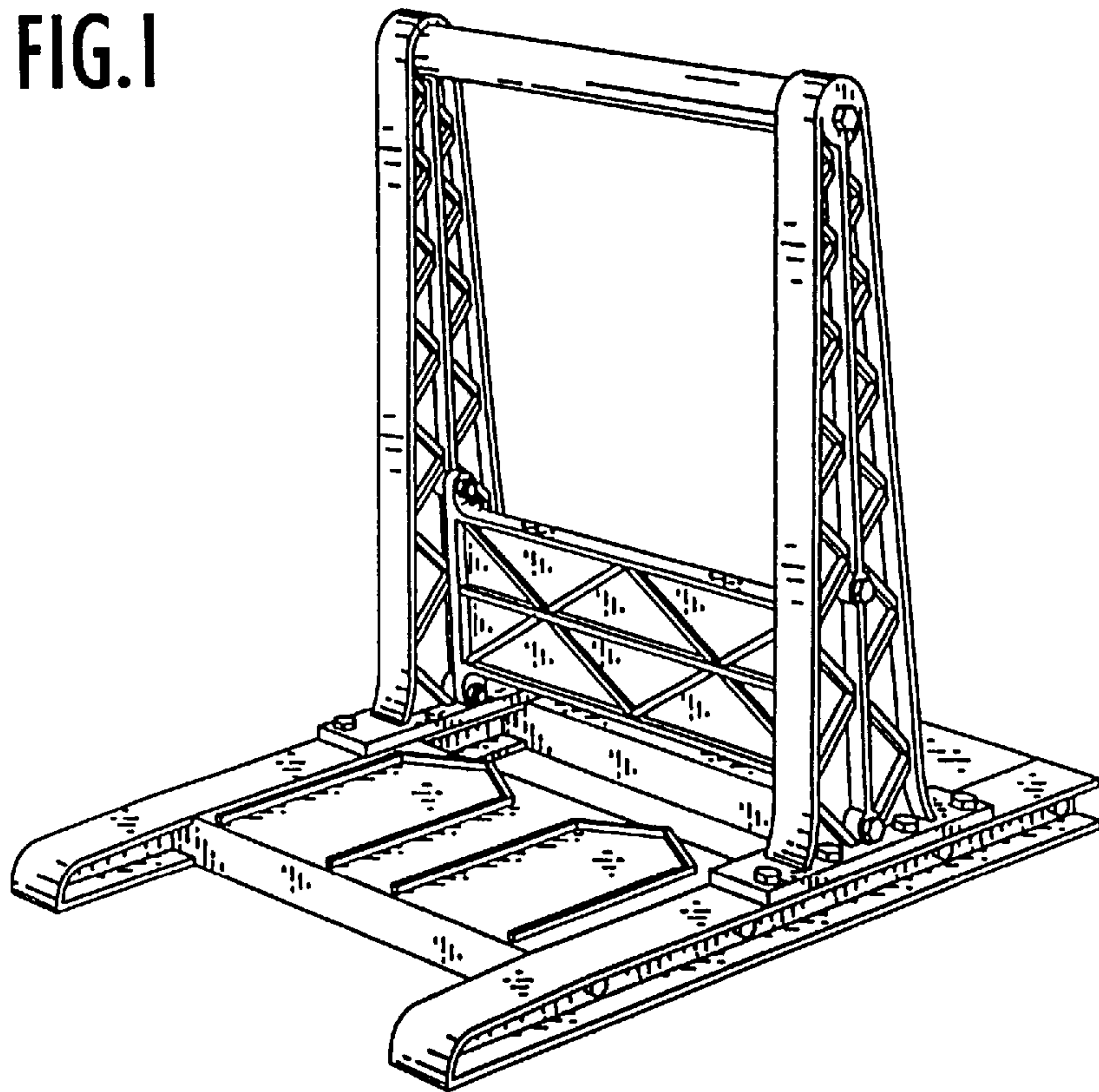


FIG.2

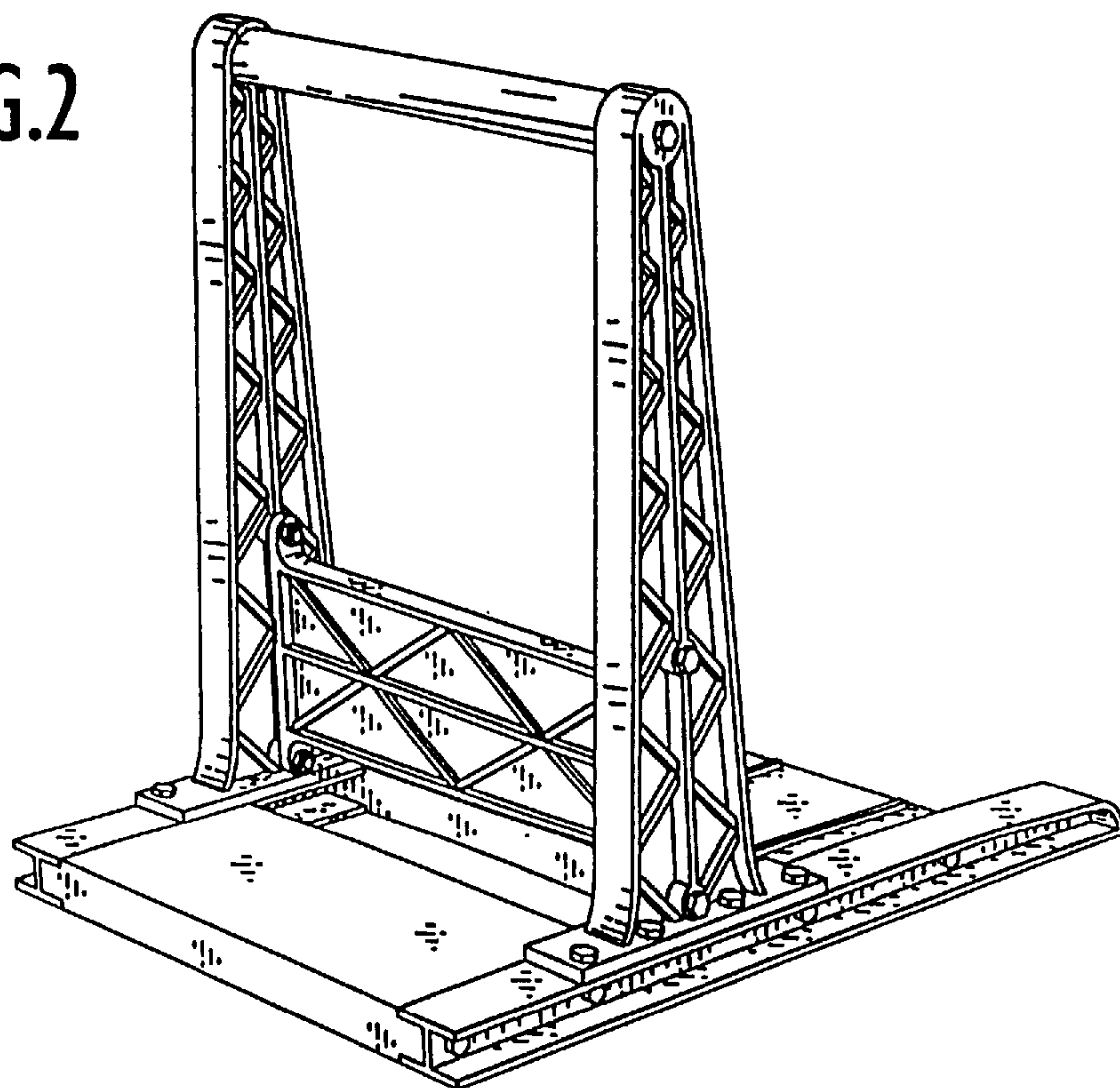


FIG.3

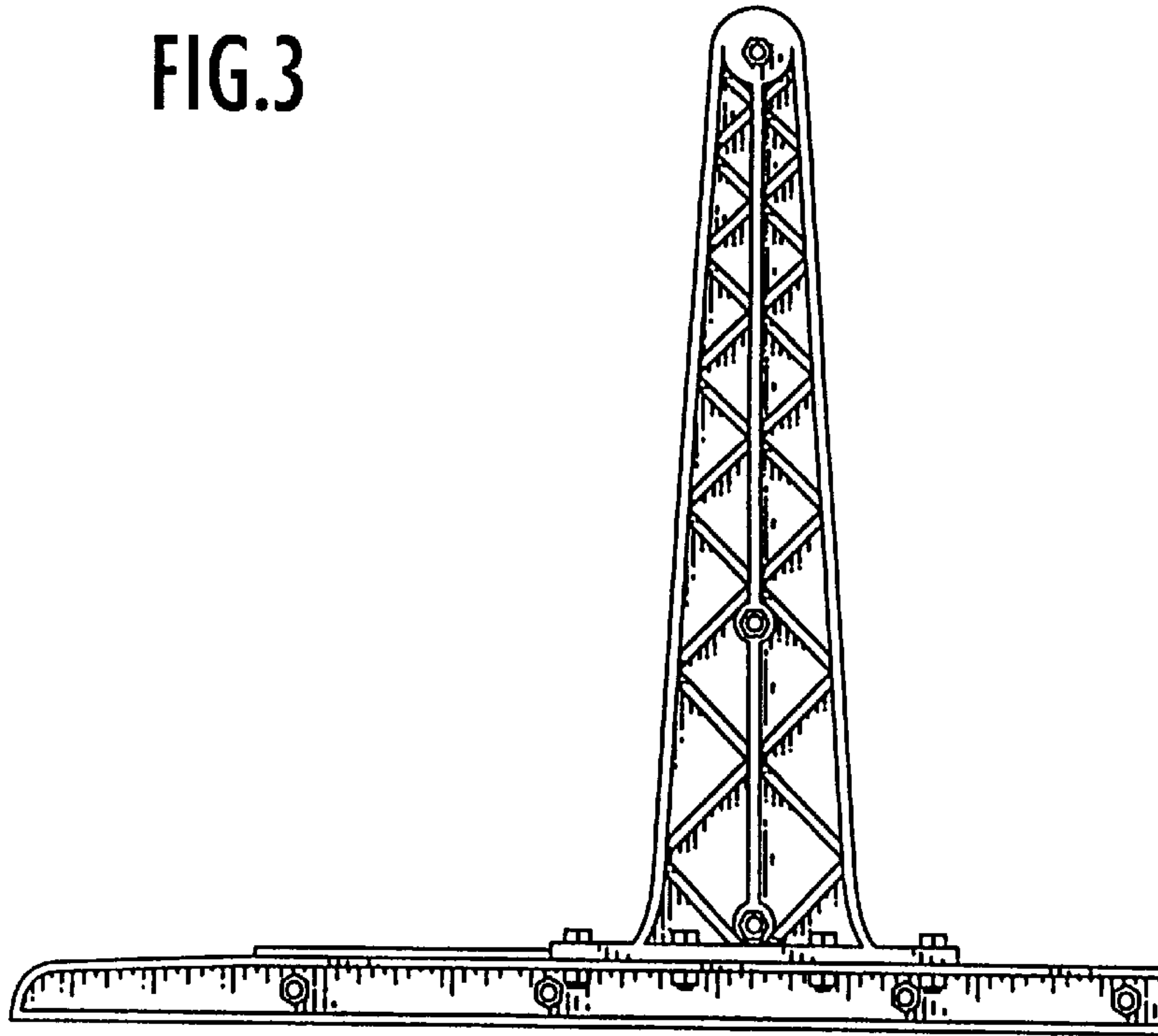


FIG.4

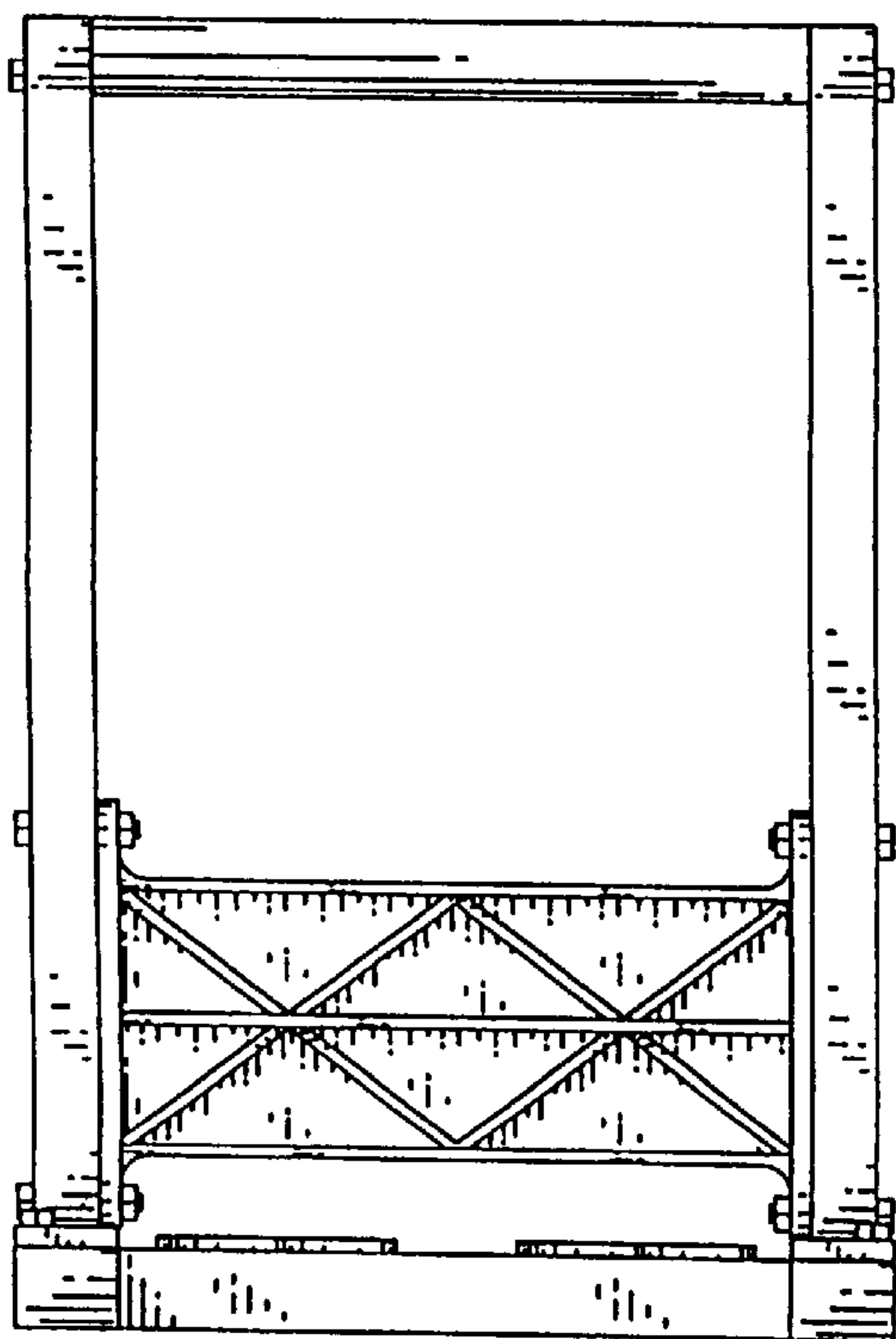


FIG.5

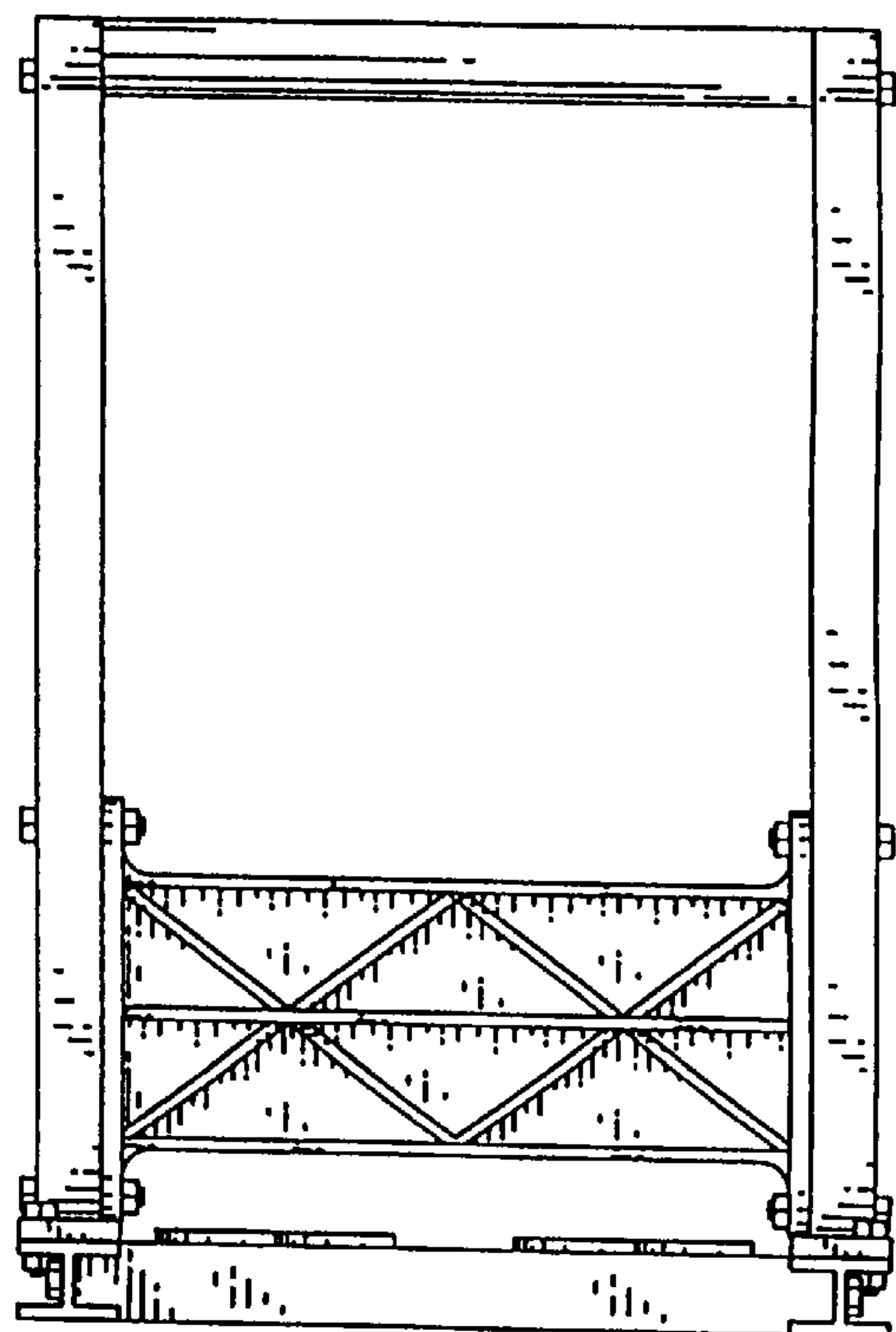


FIG.6

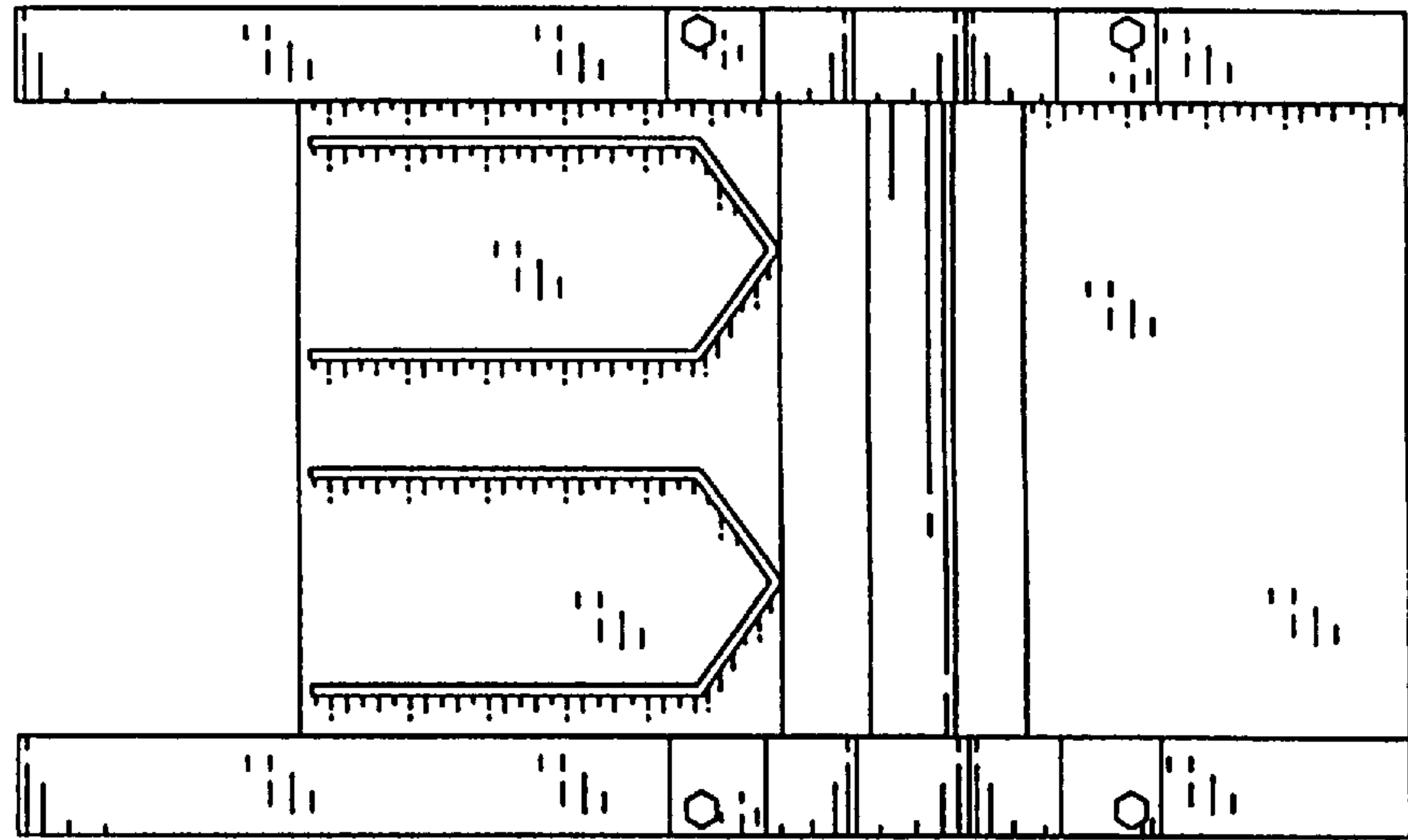


FIG.7

