



US00D401029S

# United States Patent [19]

Taylor

[11] Patent Number: **Des. 401,029**

[45] Date of Patent: **\*\*Nov. 10, 1998**

[54] **DROP SHOULDER CREEPER WITH T-BAR SUPPORT**

[75] Inventor: **Ken Taylor**, Merced, Calif.

[73] Assignee: **United Auto Systems, Inc.**, Tampa, Fla.

[\*\*] Term: **14 Years**

[21] Appl. No.: **55,766**

[22] Filed: **Jun. 13, 1996**

[51] **LOC (6) Cl.** ..... **12-02**

[52] **U.S. Cl.** ..... **D34/23**

[58] **Field of Search** ..... D34/12, 23; 280/32.6, 280/32.5, 79.11

2,487,706	11/1949	Happ	280/61.5
2,509,934	5/1950	Murray	280/61.5
2,595,783	5/1952	Griffin	280/61.5
2,780,472	2/1957	Weldon, Sr.	280/32.6
4,570,957	2/1986	Rose	280/32.6
4,721,316	1/1988	Whiteside	280/32.6
4,792,147	12/1988	Wissing	280/32.6
4,875,694	10/1989	Hamrick	280/32.6
4,895,380	1/1990	Brooks et al.	280/32.6
5,108,118	4/1992	Schaevitz	280/32.6
5,174,592	12/1992	Pool	280/32.6
5,195,763	3/1993	Scott et al.	280/32.6
5,213,350	5/1993	Hermanson	280/32.6
5,330,209	7/1994	Pool	280/32.6
5,378,003	1/1995	Burd et al.	280/32.6
5,397,139	3/1995	Simpson et al.	280/32.6
5,472,219	12/1995	Eckstrum	280/32.6
5,527,051	6/1996	Plaza	280/32.6

[56] **References Cited**

**U.S. PATENT DOCUMENTS**

D. 230,971	3/1974	Shanklin .	
D. 242,909	1/1977	Miller	D12/31
D. 270,962	10/1983	Martell	D34/23
D. 296,597	7/1988	Adams	D34/23
D. 298,374	11/1988	Hamrick	D34/23
D. 299,076	12/1988	Whiteside	D34/23
D. 301,078	5/1989	Szpot	D34/23
D. 301,791	6/1989	Osborne	D34/23
D. 309,967	8/1990	Fagan	D34/23
D. 319,717	9/1991	Schultz	D34/23
D. 320,484	10/1991	Wallin	D34/23
D. 321,072	10/1991	Bennett et al.	D34/23
D. 321,578	11/1991	Gilbert	D34/23
D. 325,799	4/1992	Chen	D34/23
D. 330,619	10/1992	Gilbert et al.	D34/23
D. 335,733	5/1993	Zimmer	D34/23
D. 351,707	10/1994	Pill	D34/23
D. 354,599	1/1995	Young	D34/23
1,104,398	7/1914	Zimmerman .	
1,769,548	7/1930	Rodin .	
2,154,952	4/1939	Mahloch .	
2,210,585	8/1940	Hulbert .	
2,288,568	6/1942	Holmes .	

*Primary Examiner*—Kay H. Chin  
*Attorney, Agent, or Firm*—Dominik & Stein

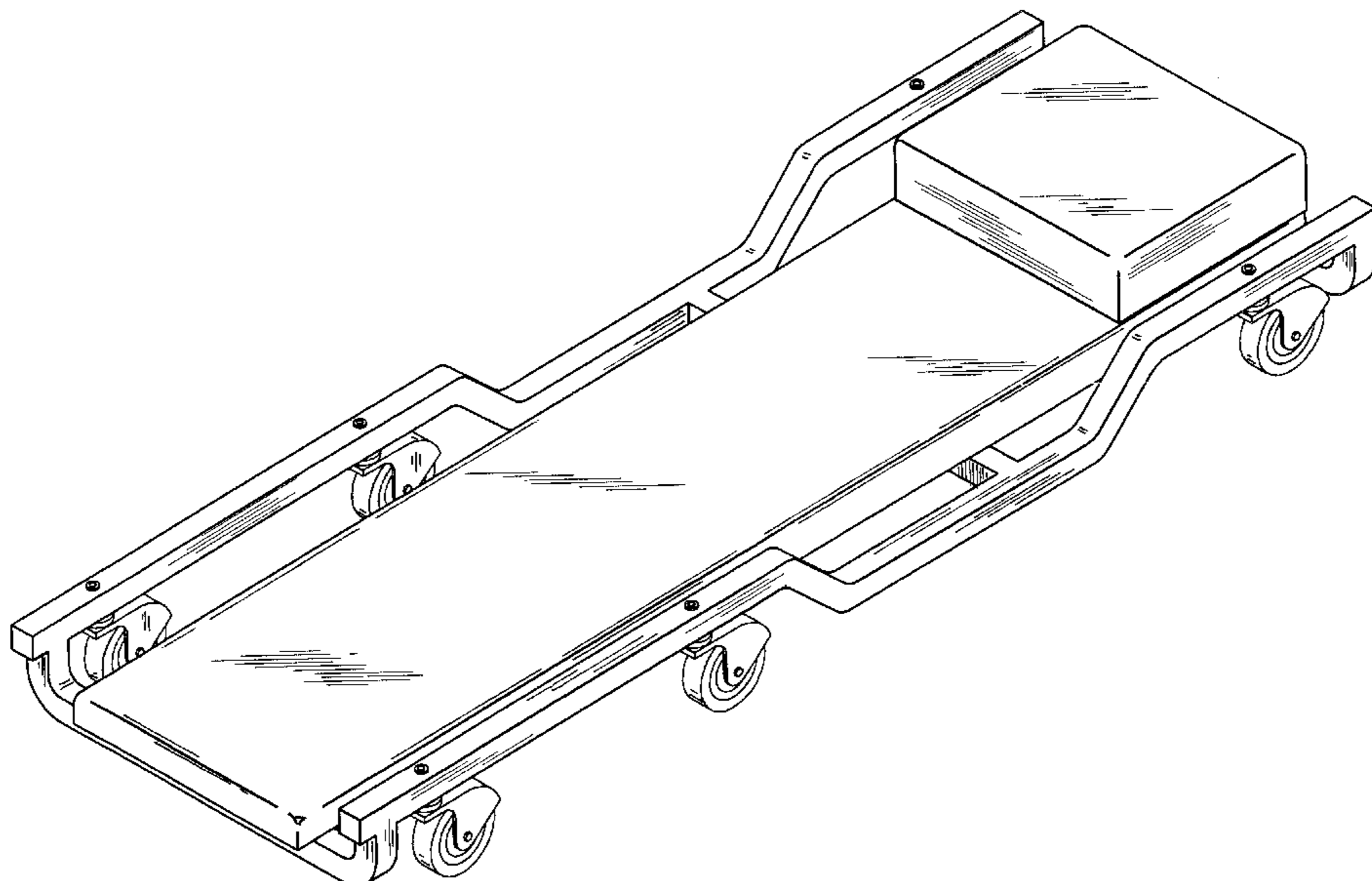
[57] **CLAIM**

The ornamental design for a drop shoulder creeper with T-bar support, as shown and described.

**DESCRIPTION**

FIG. 1 is a front elevated view of the drop shoulder creeper with T-bar support;  
 FIG. 2 is a front view of the drop shoulder creeper with T-bar support;  
 FIG. 3 is a rear view of the drop shoulder creeper with T-bar support;  
 FIG. 4 is a side view of the drop shoulder creeper with T-bar support;  
 FIG. 5 is a mirror side view of the drop shoulder creeper with T-bar support as shown in FIG. 4;  
 FIG. 6 is a top view of the drop shoulder creeper with T-bar support; and,  
 FIG. 7 is a bottom view of the drop shoulder creeper with T-bar support.

**1 Claim, 5 Drawing Sheets**



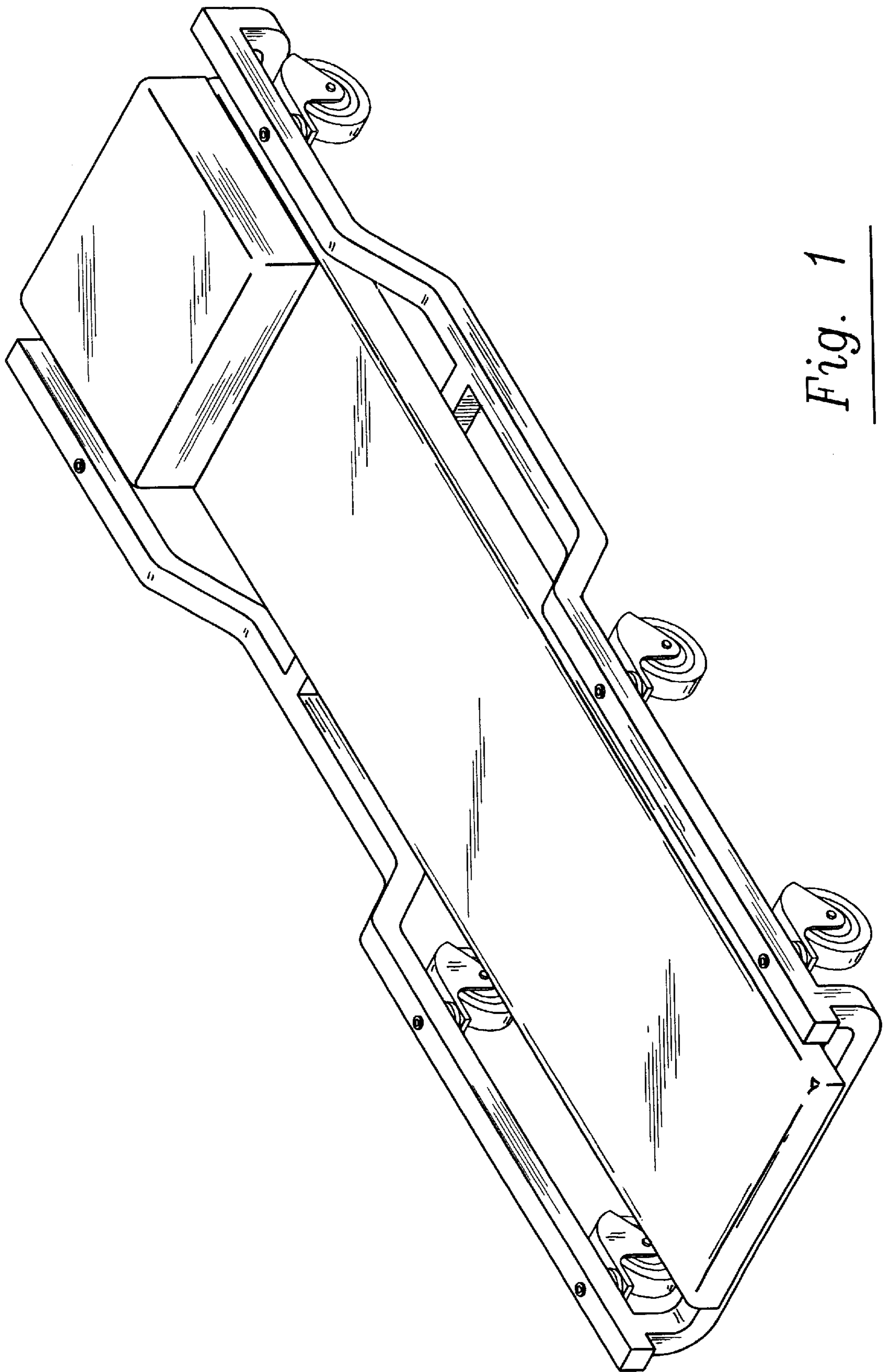


Fig. 1

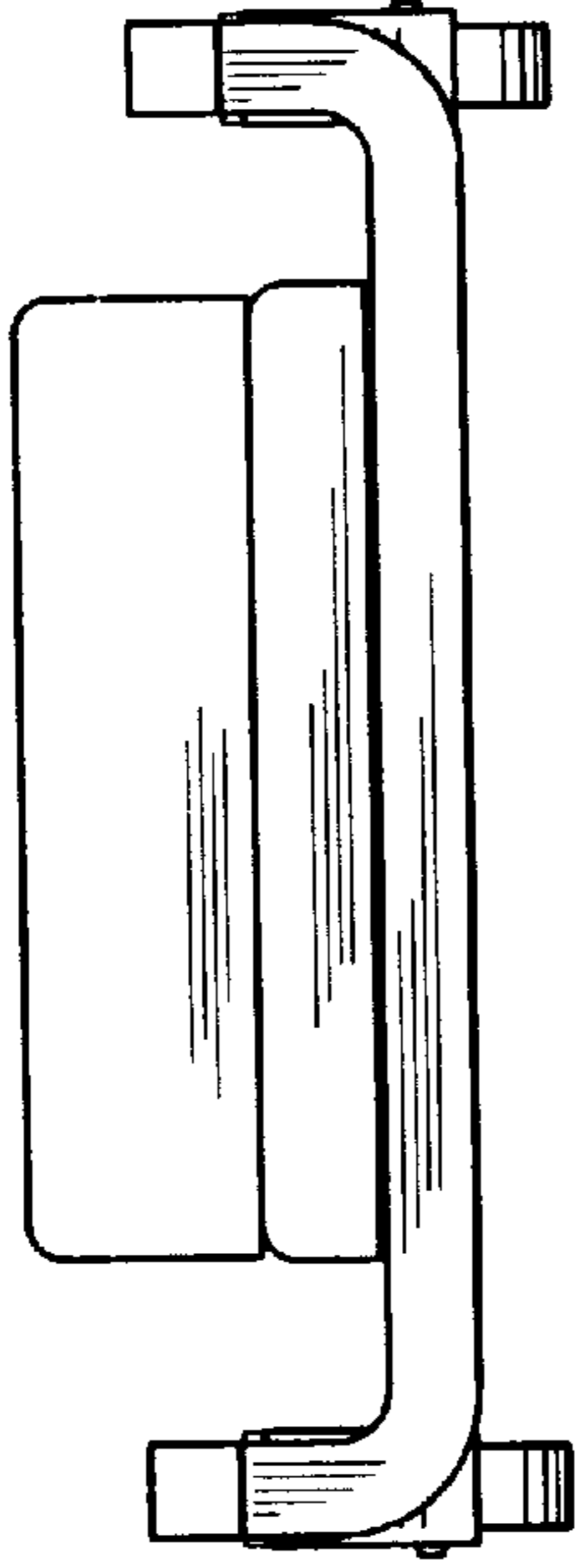


Fig. 3

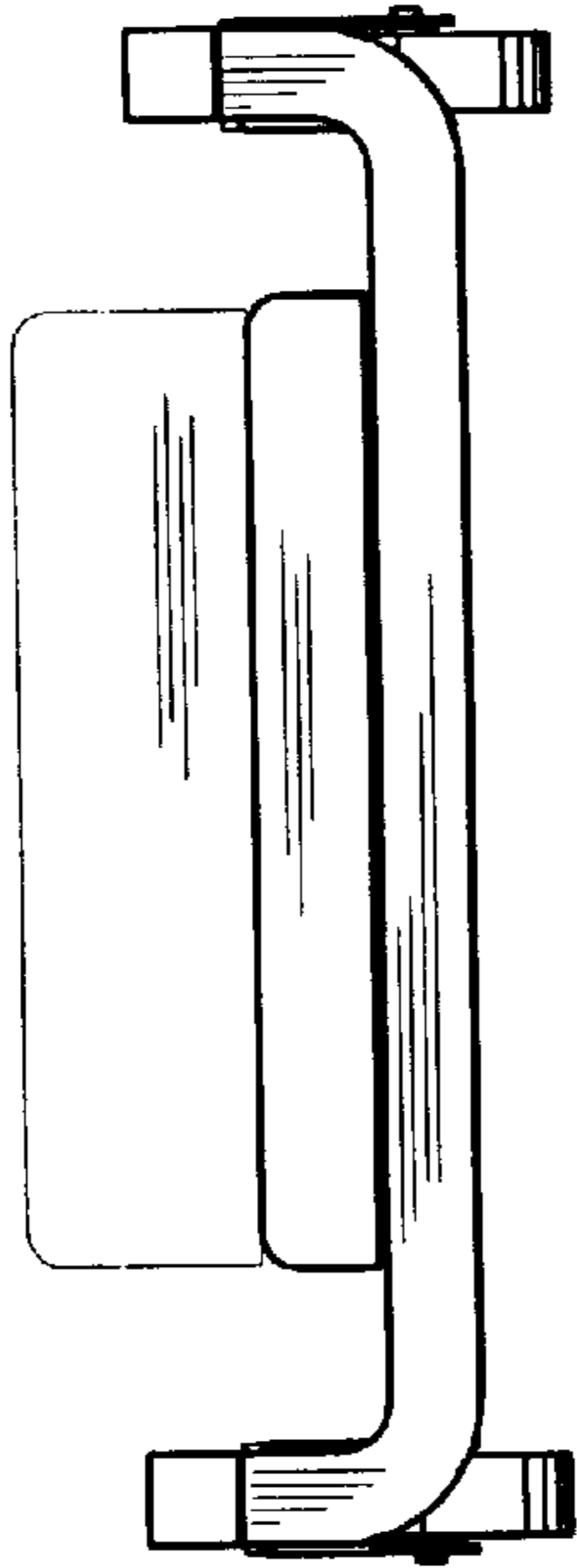
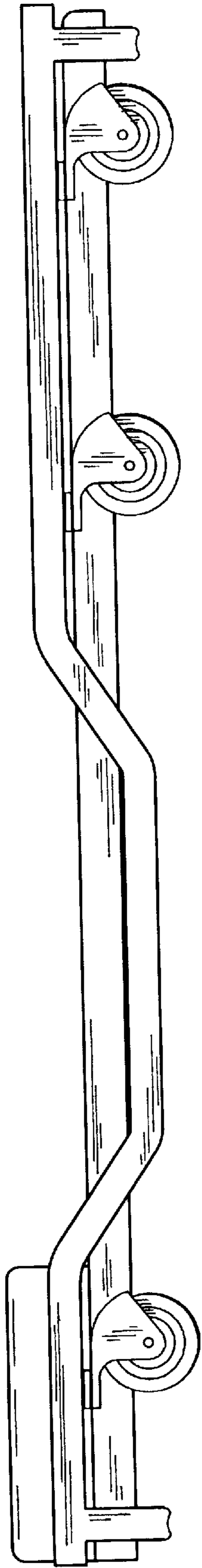
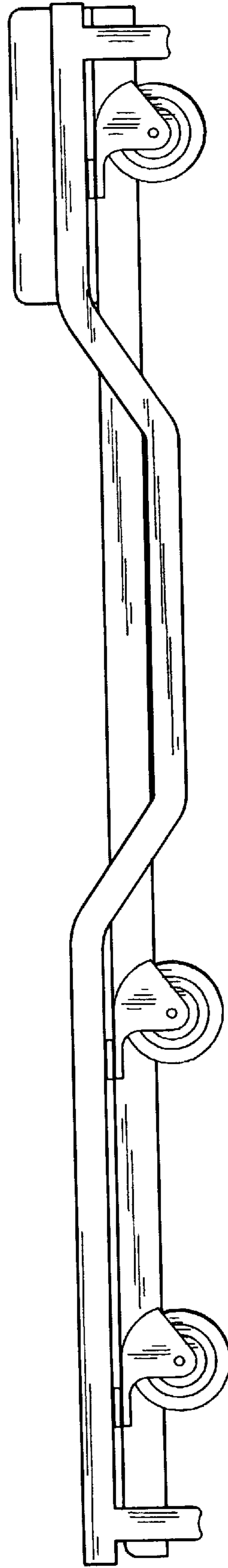


Fig. 2



*Fig. 4*



*Fig. 5*

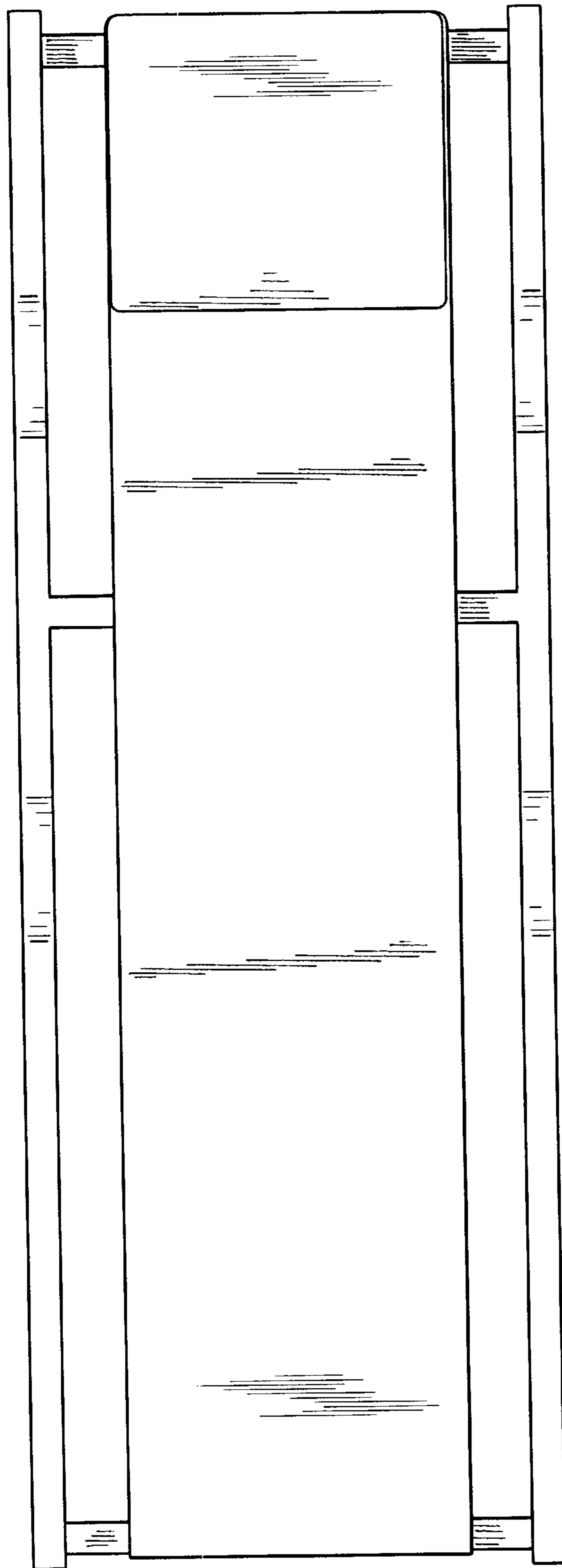


Fig. 6

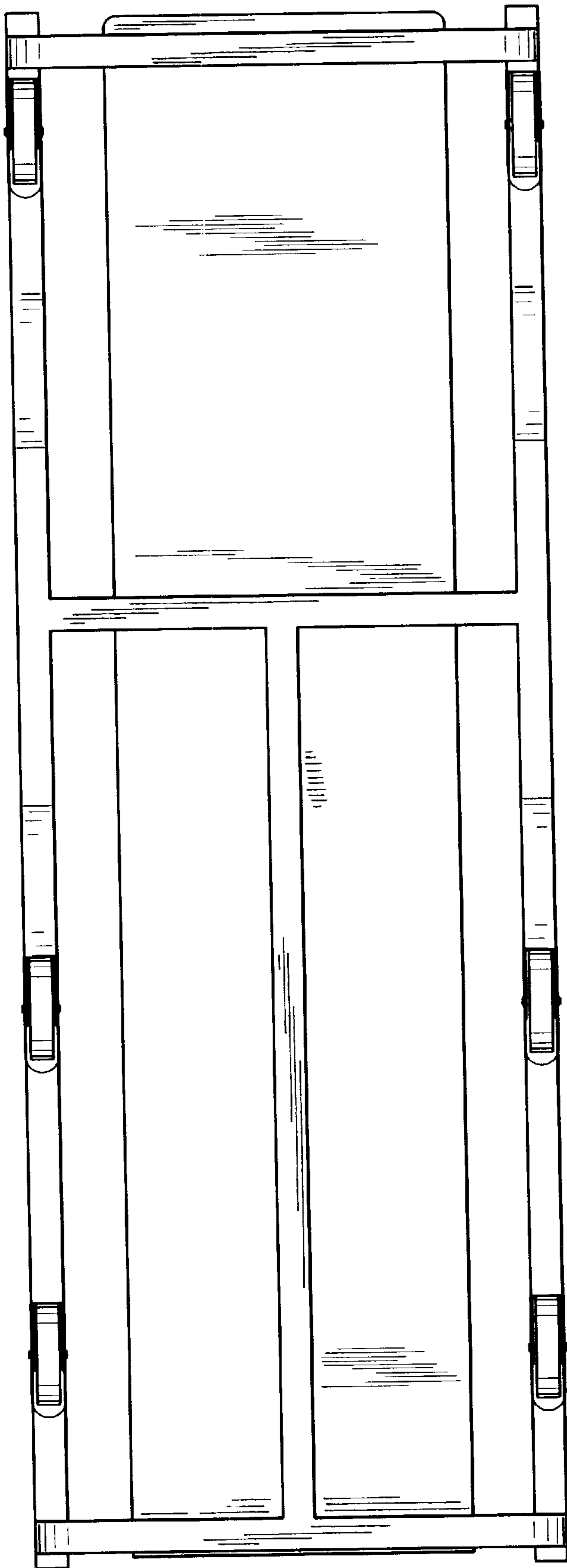


Fig. 7