



US00D401027S

United States Patent [19] Mueller

[11] Patent Number: **Des. 401,027**

[45] Date of Patent: ****Nov. 10, 1998**

[54] ENVIRONMENTAL LEAF BAGGER

[76] Inventor: **Richard J. Mueller**, 744 Kimberly Dr.,
Dekalb, Ill. 60115

[**] Term: **14 Years**

[21] Appl. No.: **48,829**

[22] Filed: **Jan. 2, 1996**

[51] LOC (6) Cl. **09-09**

[52] U.S. Cl. **D34/6**

[58] Field of Search D34/1, 5-7, 10,
D34/11; 220/908-911; 248/95, 97, 99, 100;
53/570

[56] **References Cited**

U.S. PATENT DOCUMENTS

D. 342,816	12/1993	Diotte	D34/1
D. 349,992	8/1994	Brohan	D34/5
D. 359,826	6/1995	Scarlett	D34/6
D. 361,185	8/1995	Seiler et al.	D34/5
4,273,167	6/1981	Stillwell	248/97
4,978,028	12/1990	George et al.	220/908
5,018,637	5/1991	Miller	220/908
5,054,724	10/1991	Hutcheson	248/97
5,226,621	7/1993	Skoff	248/97
5,292,093	3/1994	Shumake	248/97
5,593,117	1/1997	Alexander	248/99

Primary Examiner—Alan P. Douglas
Assistant Examiner—Robin V. Taylor

[57] **CLAIM**

The ornamental design for an environmental leaf bagger, as shown and described.

DESCRIPTION

FIG. 1 is a perspective view of the frame from the top, showing one of the handles;

FIG. 2 is a perspective view of the frame from the bottom, showing one of the handles;

FIG. 3 is a top, perspective view of the hopper;

FIG. 4 is a view of the long side of the hopper;

FIG. 5 is a view of the short side of the hopper;

FIG. 6 is an exploded view of the hopper hovering over the frame that has a bag inserted within, with edges of the bag overlapping the rim of the frame;

FIG. 7 is an elevational view of the broad side of the assembled hopper and frame;

FIG. 8 is an elevational view of the narrow side of the assembled hopper and frame; and,

FIG. 9 is a view of the environmental leaf bagger with the hopper in place over the frame, holding the edges of the yard bag firmly in place, ready for the impacting of yard debris. The broken line showing of a bag in FIGS. 6 and 9 is for illustrative purposes only and forms no part of the claimed design.

1 Claim, 7 Drawing Sheets

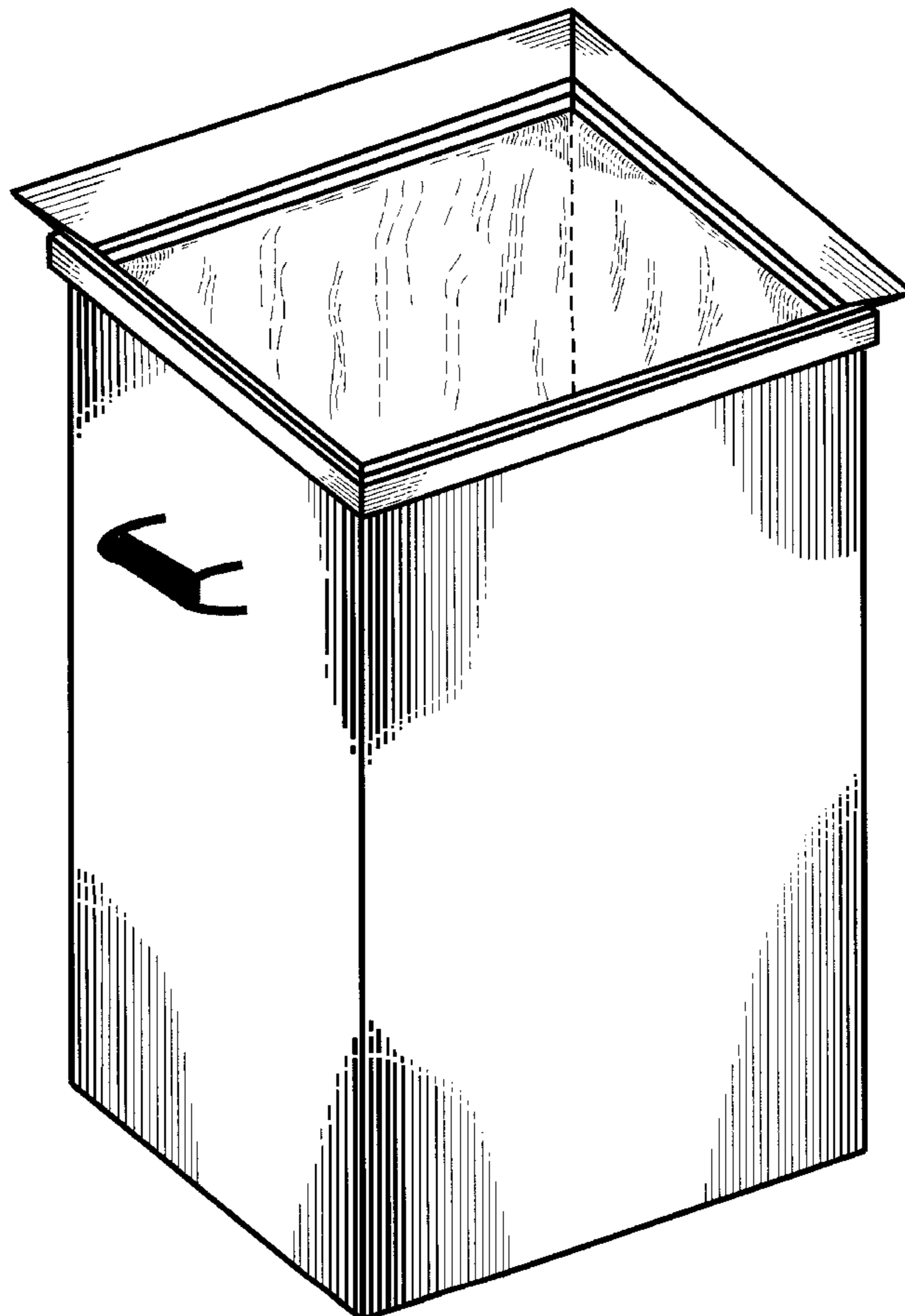


Fig. 1

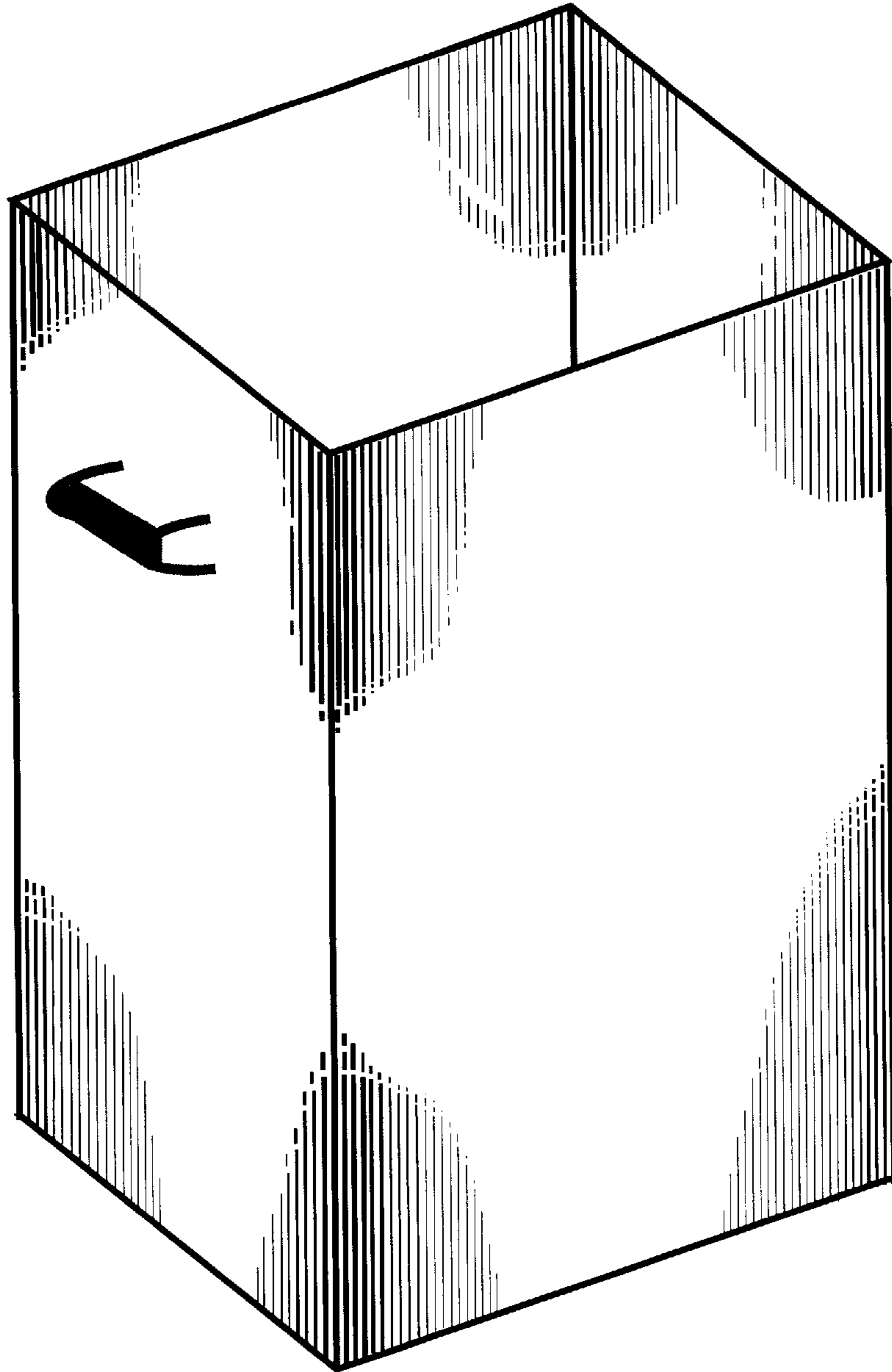


Fig. 2

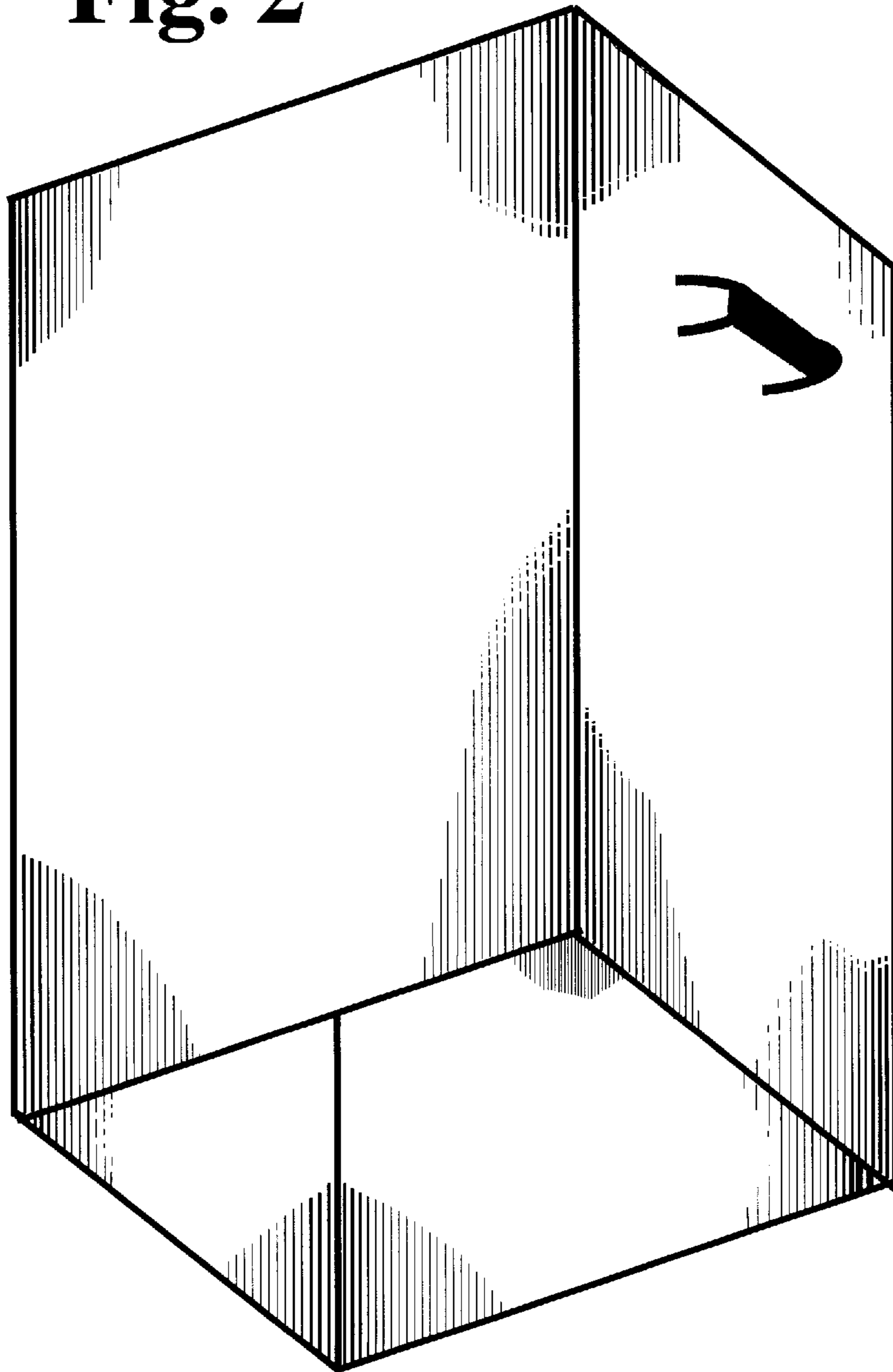


Fig. 3

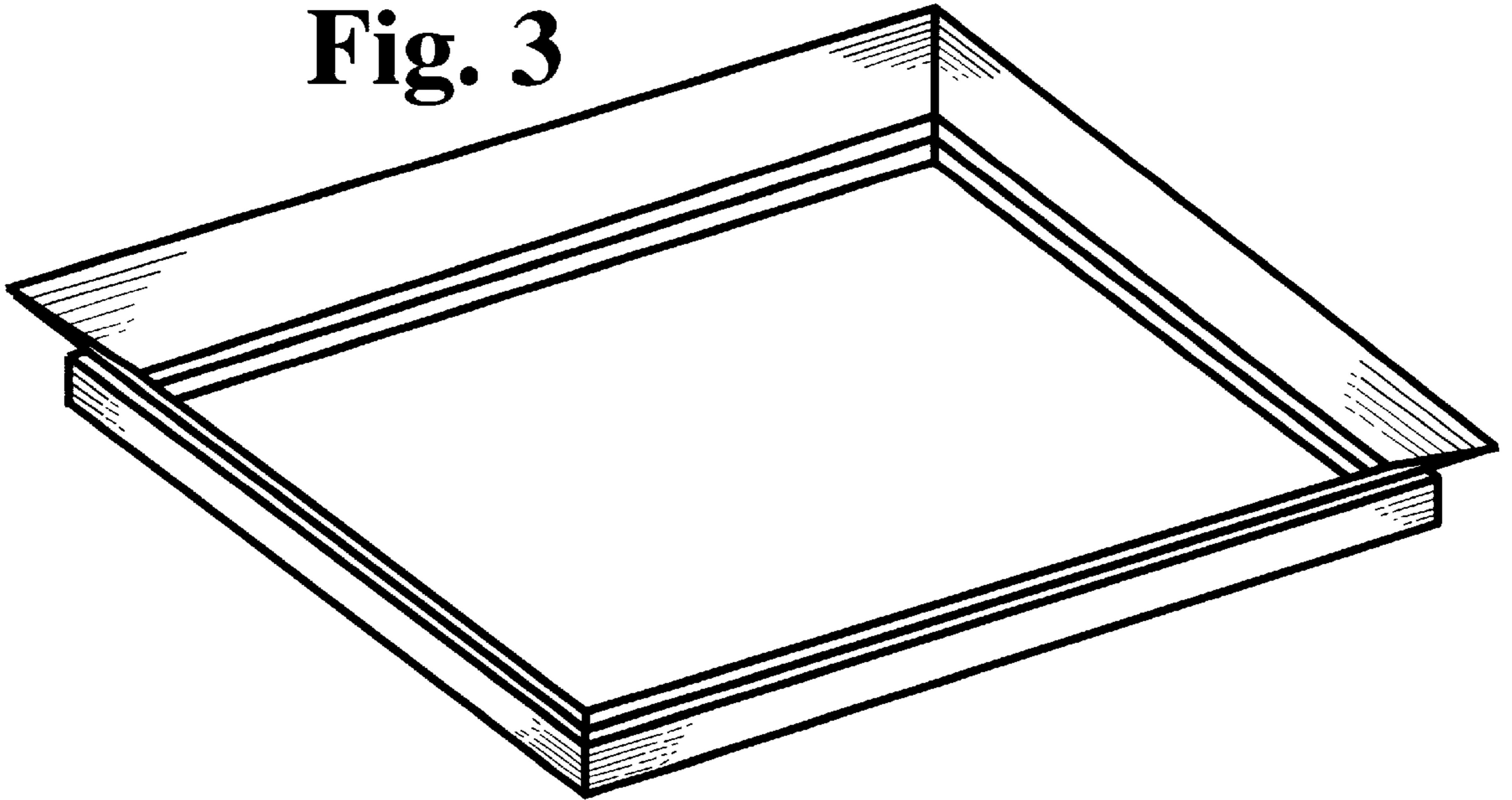


Fig. 4

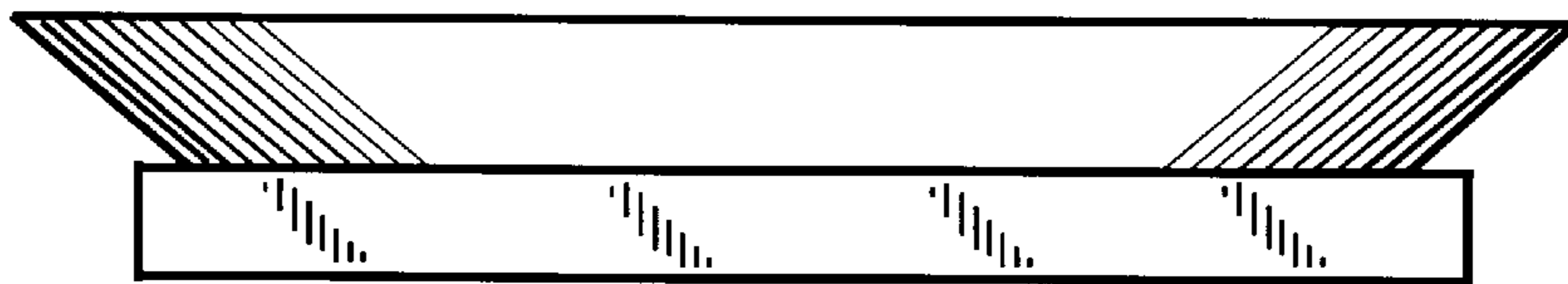


Fig. 5

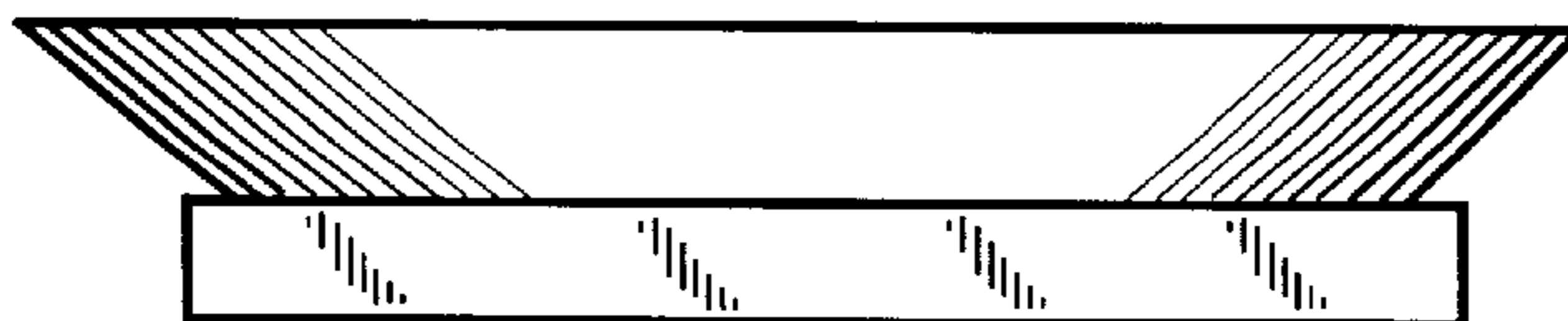


Fig. 6

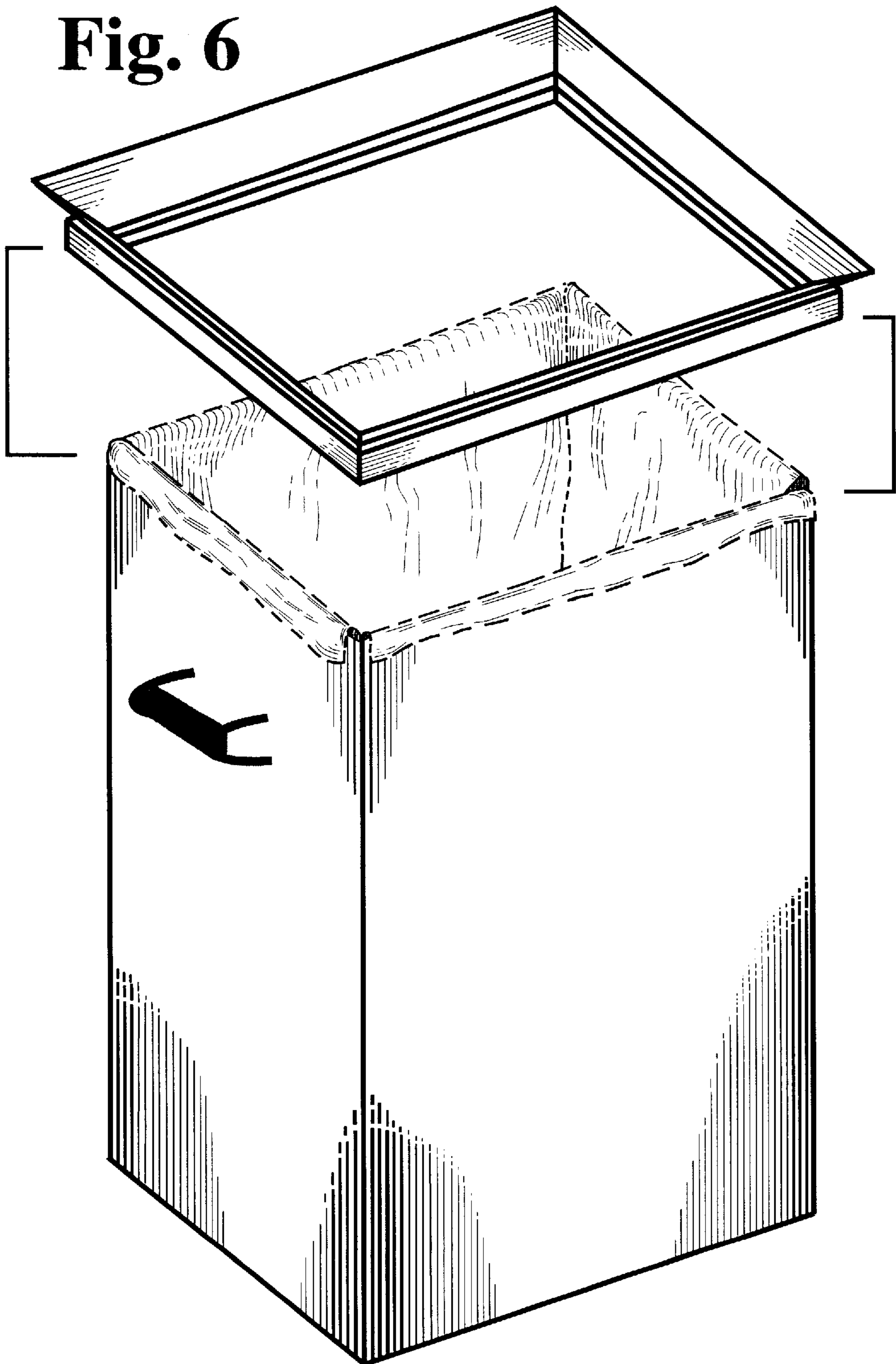


Fig. 7

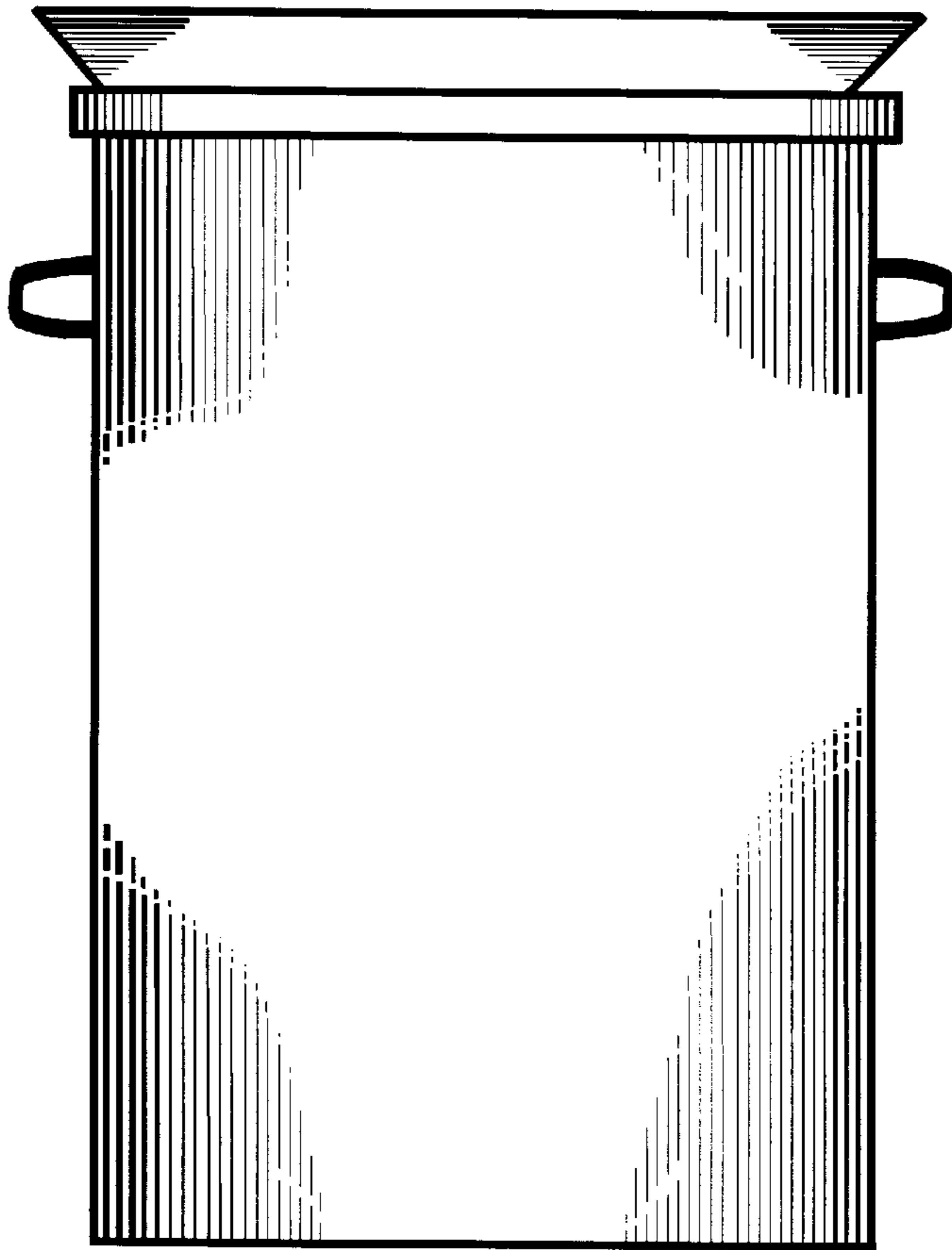


Fig. 8

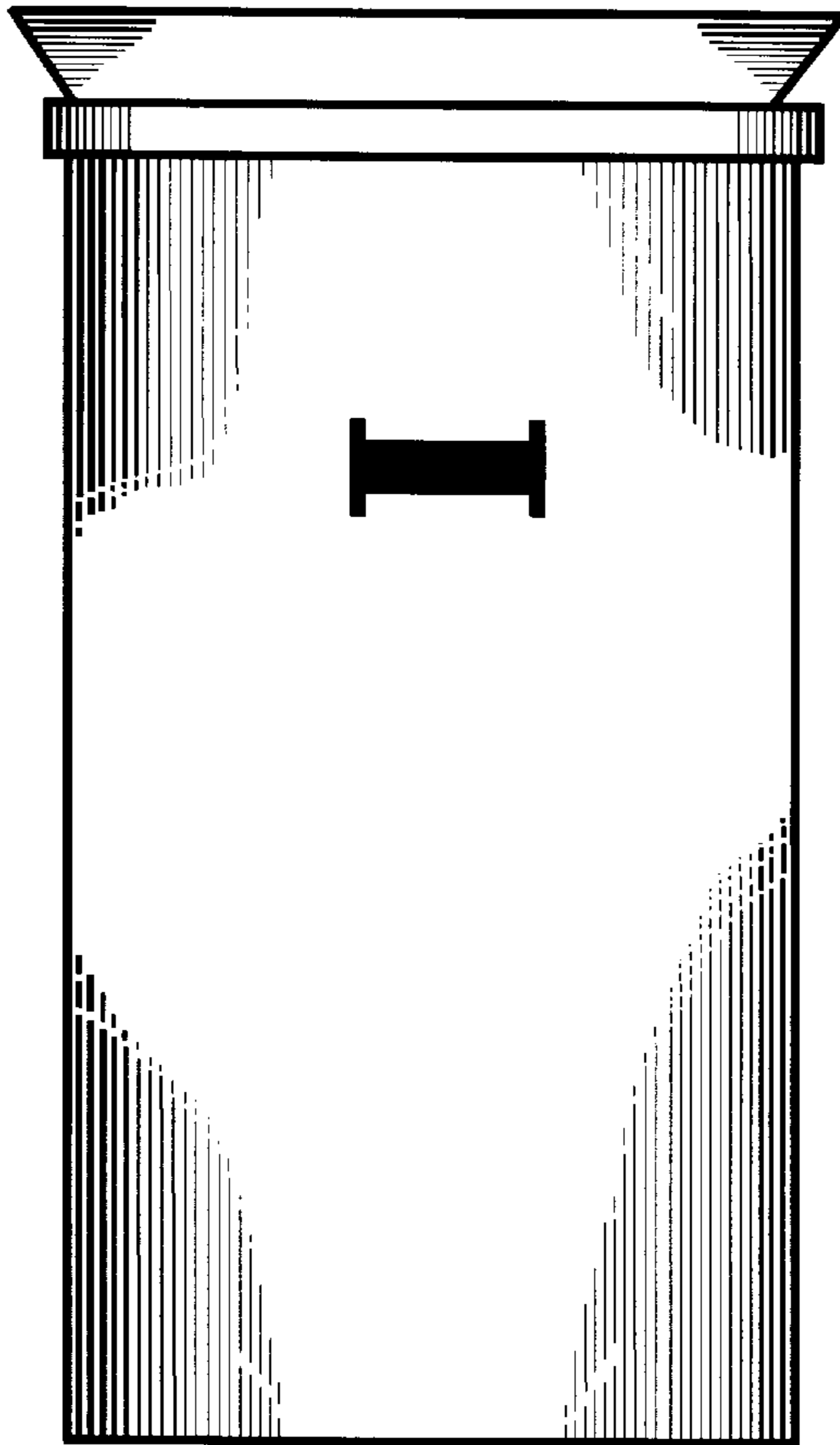


Fig. 9

