



US00D401025S

United States Patent [19]

Williams et al.

[11] Patent Number: **Des. 401,025**

[45] Date of Patent: ****Nov. 10, 1998**

[54] **CLOTHES DRYING RACK**

[76] Inventors: **Winfred Williams; Donna J. Williams,**
both of 37012 Kyle Dr., Zephyrhills,
Fla. 33541

[**] Term: **14 Years**

[21] Appl. No.: **82,851**

[22] Filed: **Jan. 29, 1998**

[51] **LOC (6) Cl.** **07-05**

[52] **U.S. Cl.** **D32/58**

[58] **Field of Search** D32/58, 59; D6/566;
211/86.01, 94.03, 85.3, 100, 104, 125

[56] **References Cited**

U.S. PATENT DOCUMENTS

D. 200,728	3/1965	Spielman	D32/58
D. 353,244	12/1994	Brazis	D32/58
1,046,319	12/1912	Mohney	211/100
1,496,739	6/1924	Ranson	211/100
2,508,938	5/1950	Derr	211/100
4,127,195	11/1978	Portnoy	211/100

Primary Examiner—Alan P. Douglas
Assistant Examiner—Robin V. Taylor
Attorney, Agent, or Firm—A. W. Fisher, III

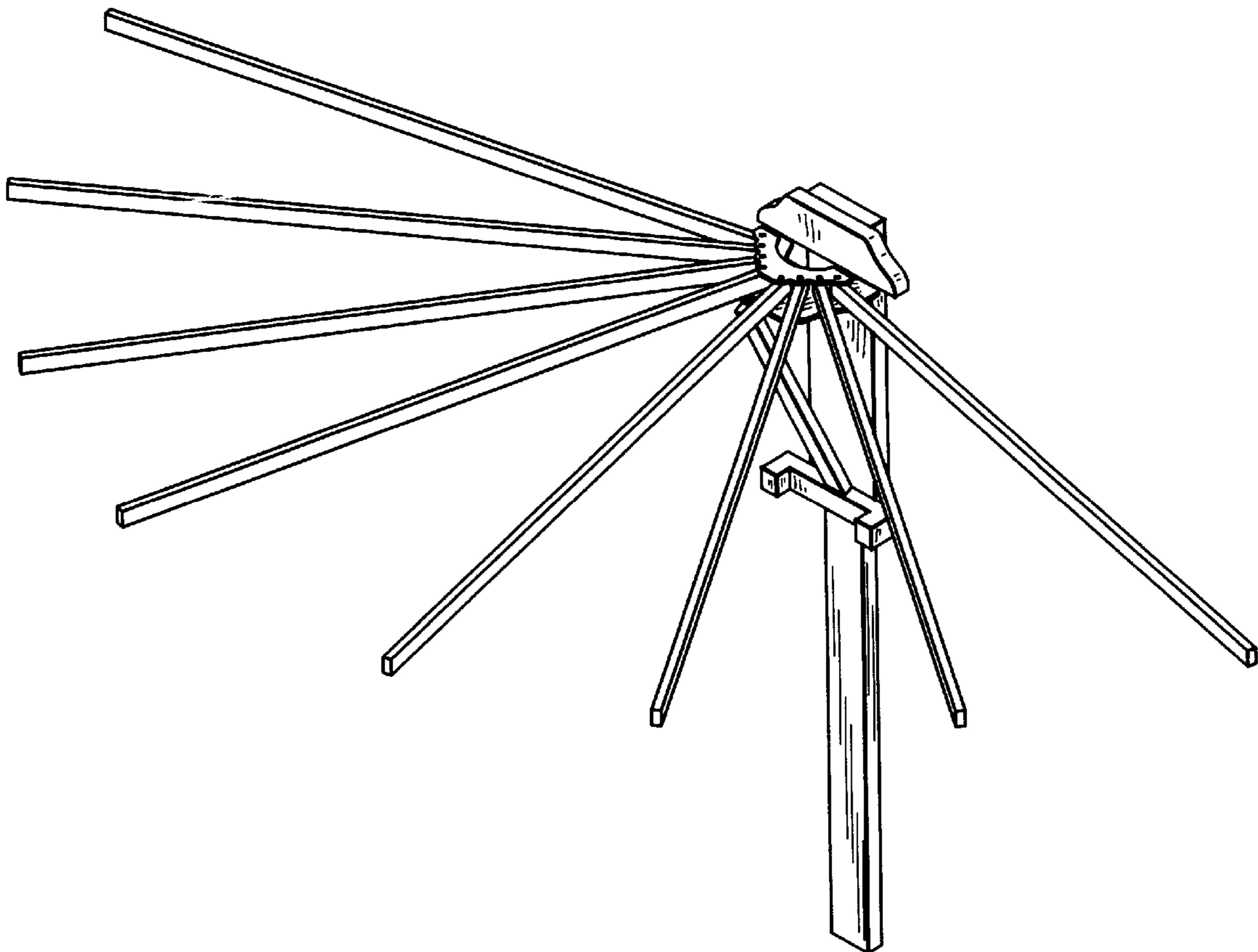
[57] **CLAIM**

We claim the ornamental design for a clothes drying rack, as shown and described.

DESCRIPTION

FIG. 1 is a perspective view of the clothes drying rack; FIG. 2 is a front view of the clothes drying rack thereof; FIG. 3 is a rear view of the clothes drying rack thereof; FIG. 4 is a top side elevational view of the clothes drying rack thereof; FIG. 5 is a bottom side elevational view of the clothes drying rack thereof; FIG. 6 is a left elevational view of the clothes drying rack thereof; FIG. 7 is a right elevational view of the clothes drying rack thereof; FIG. 8 is a front view of the clothes drying rack thereof in the closed position.

1 Claim, 4 Drawing Sheets



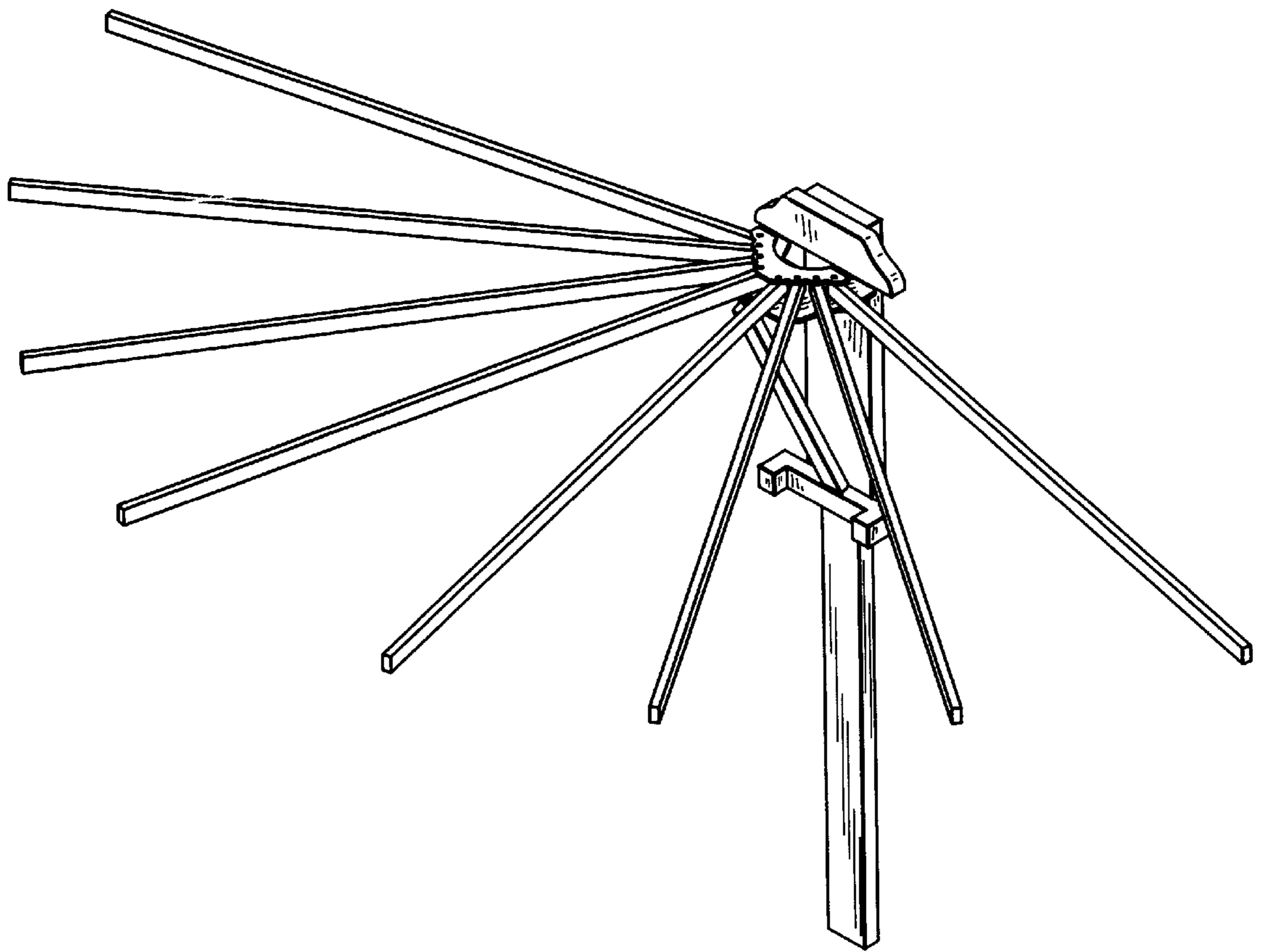


Fig. 1

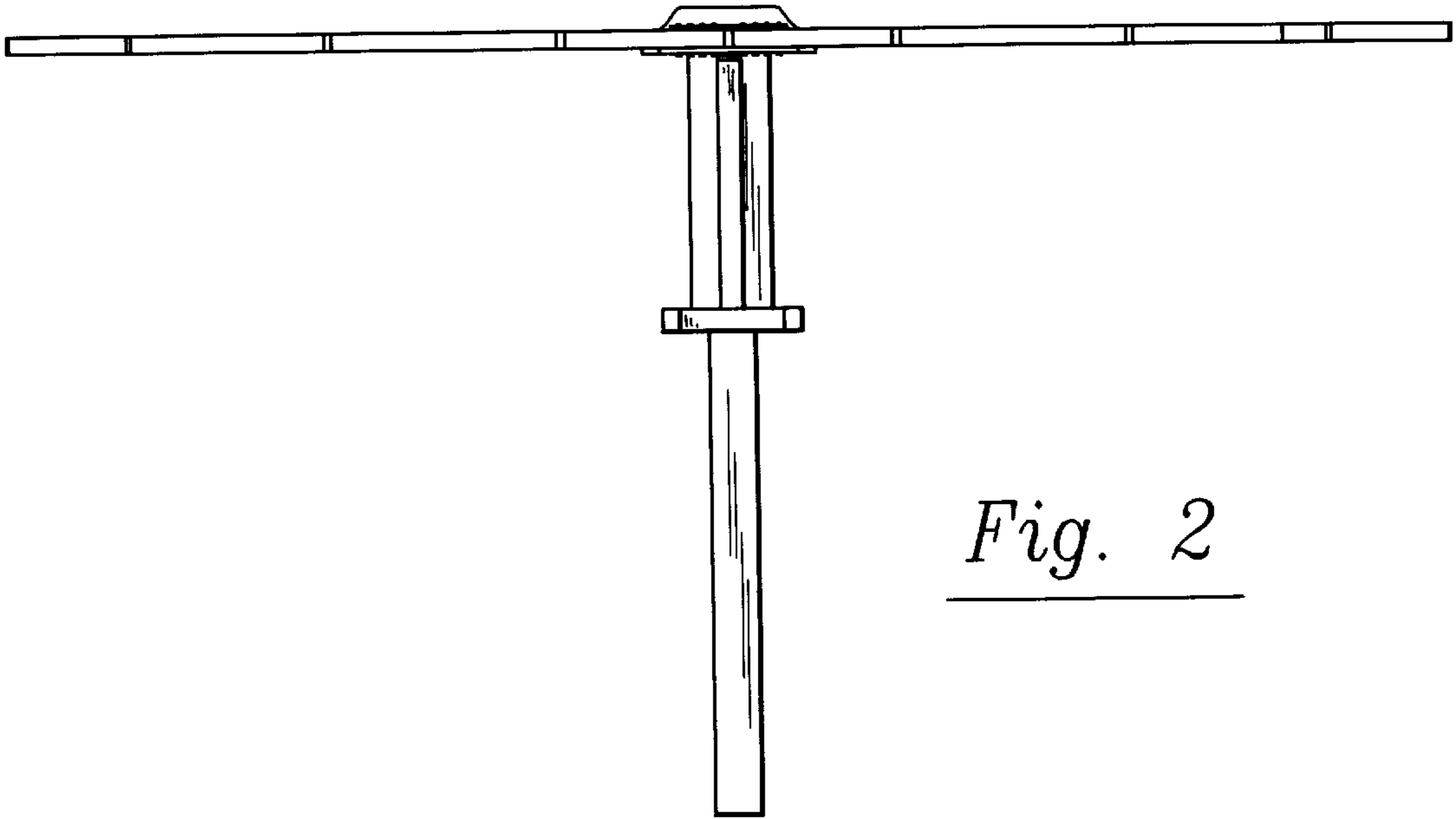


Fig. 2

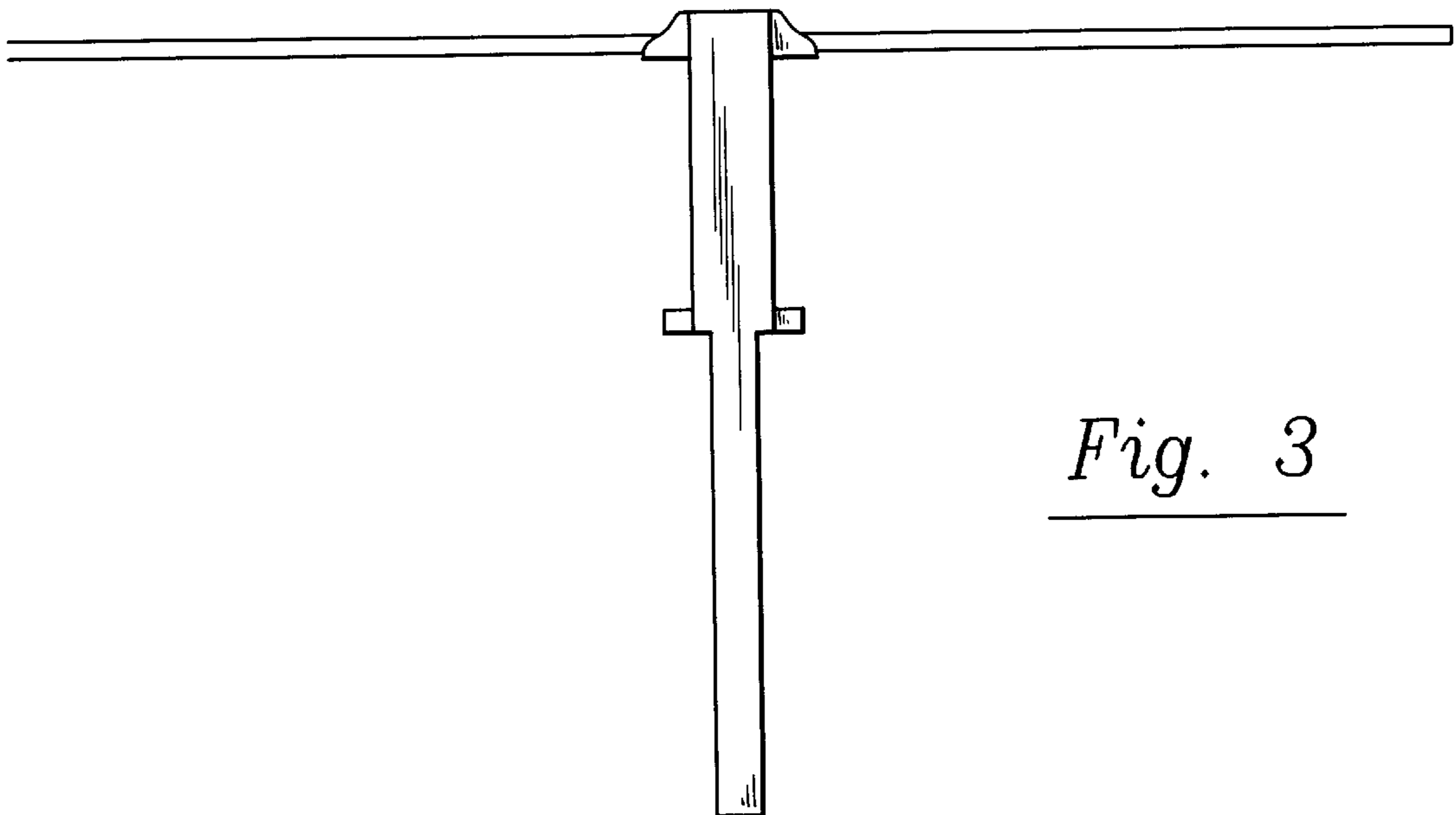


Fig. 3

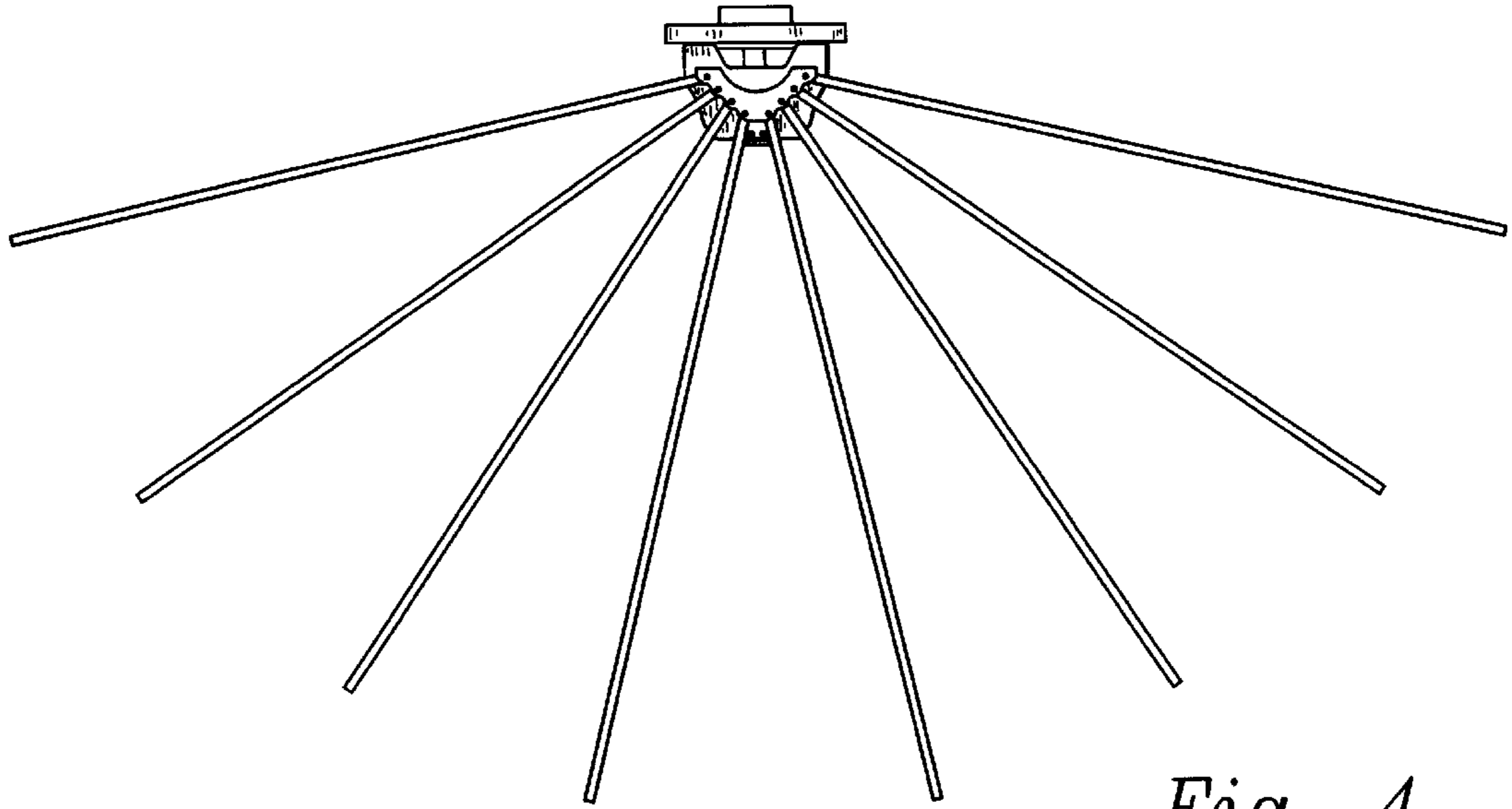


Fig. 4

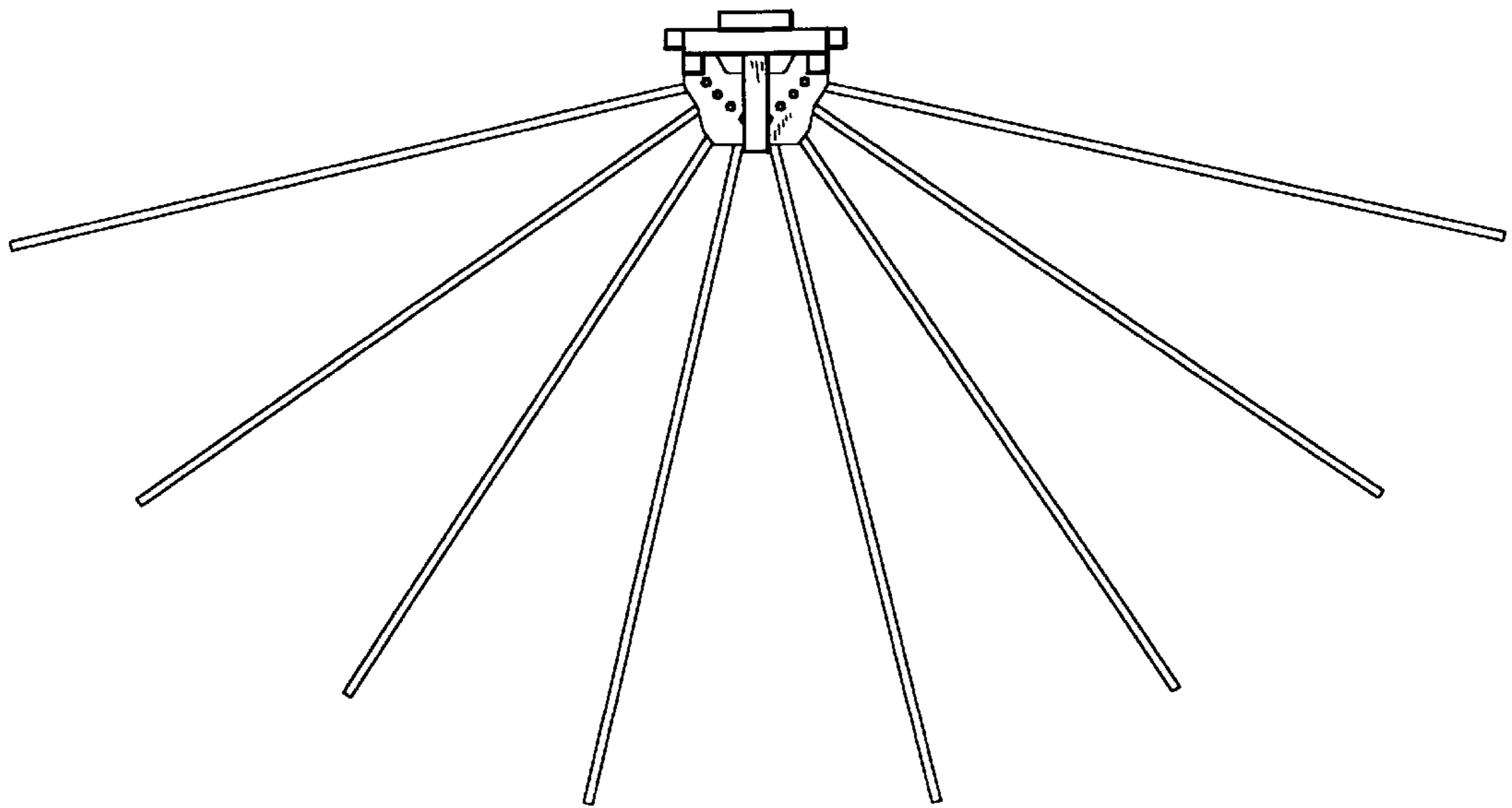


Fig. 5

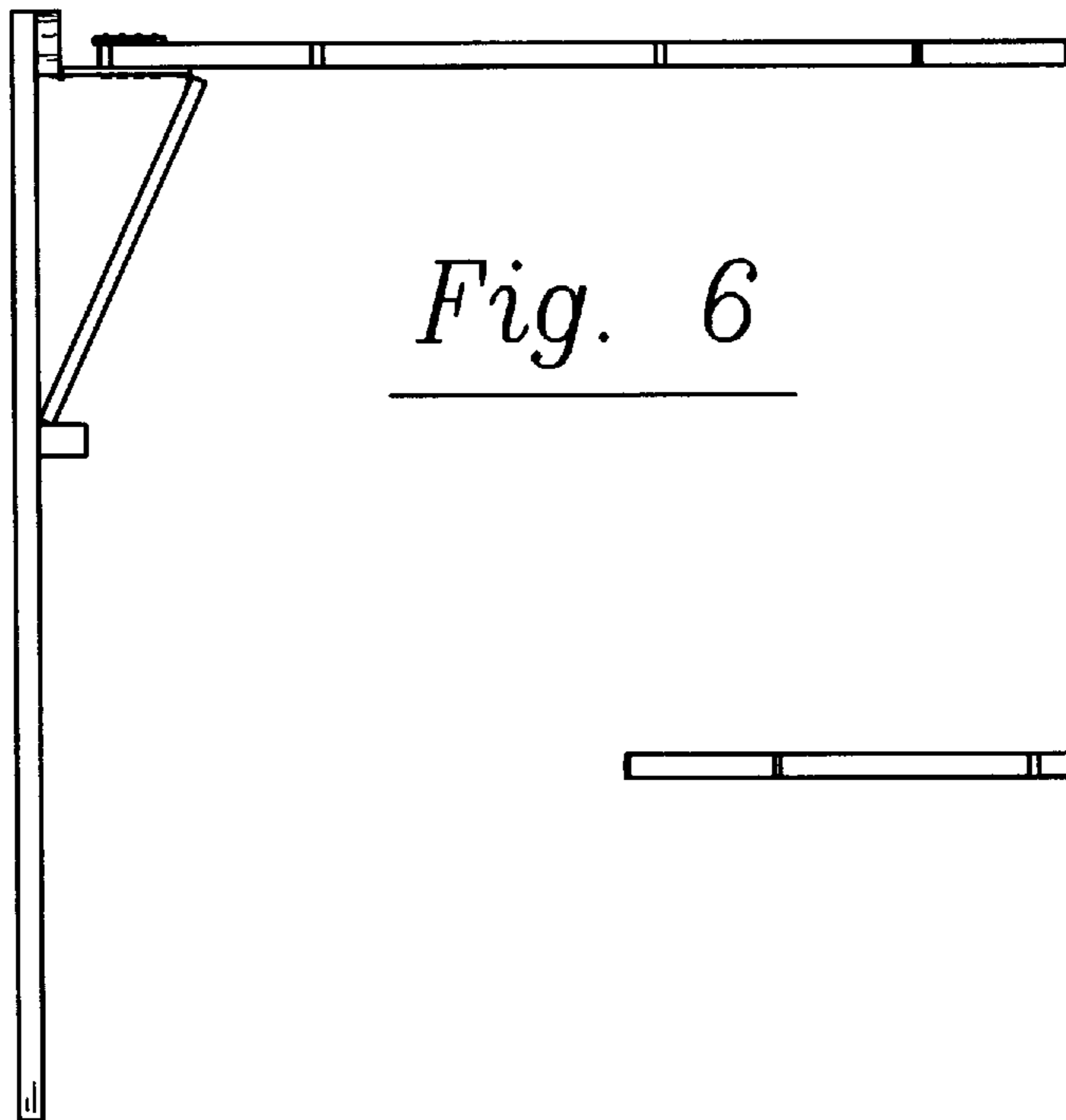


Fig. 6

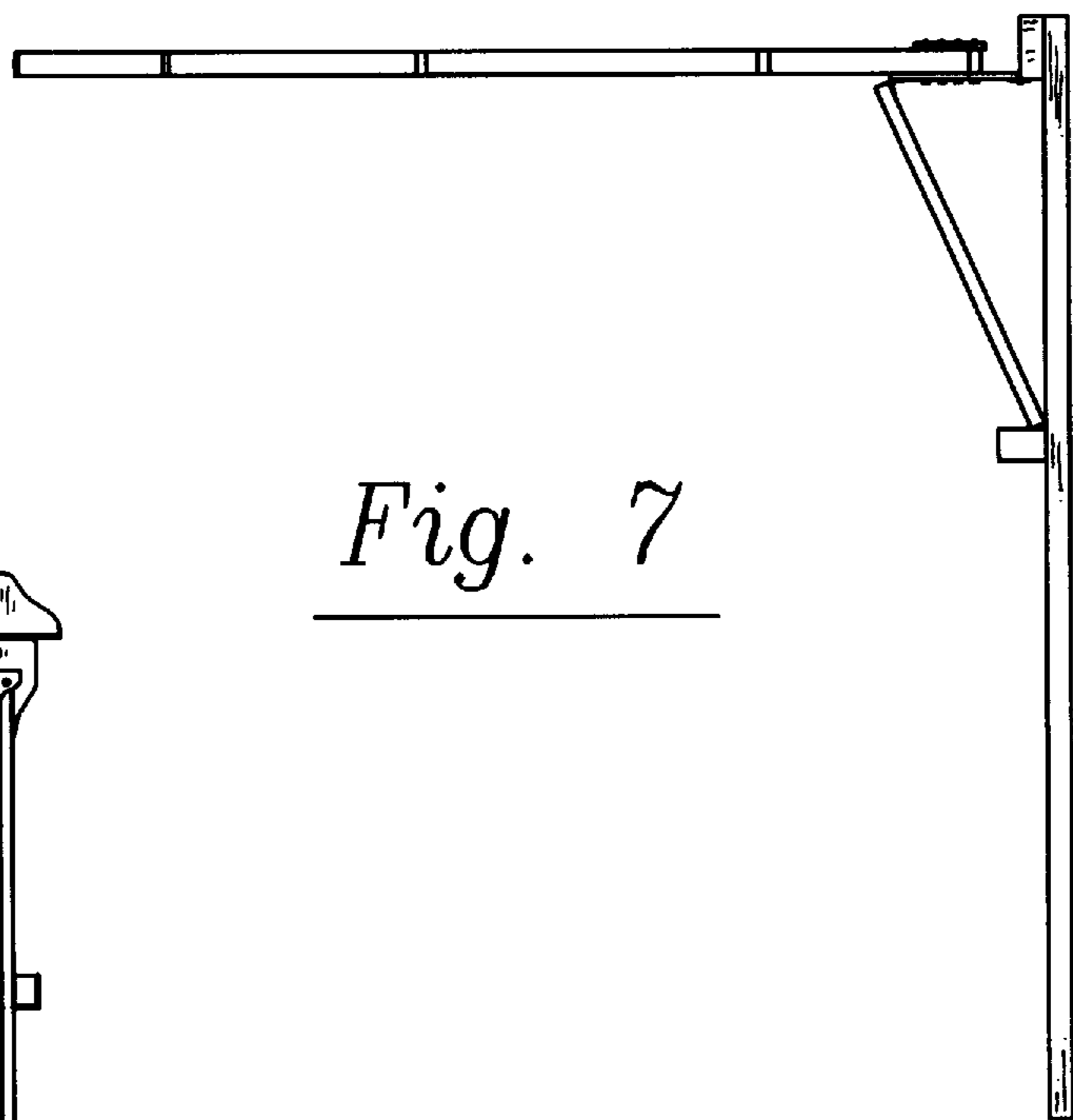


Fig. 7

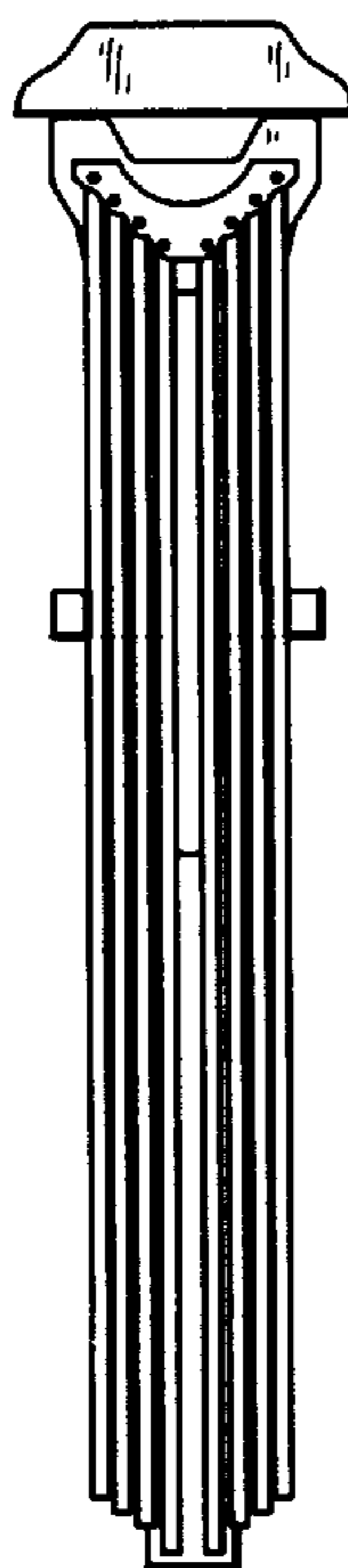


Fig. 8