



US00D401020S

United States Patent [19]
Barlow

[11] **Patent Number: Des. 401,020**

[45] **Date of Patent: **Nov. 10, 1998**

[54] **OVEN PAN PAD**

[76] Inventor: **Do Thi K Barlow**, 4680 Swift Barlow Dr., Blairsville, Ga. 30512

[**] Term: **14 Years**

[21] Appl. No.: **81,389**

[22] Filed: **Dec. 31, 1997**

[51] **LOC (6) Cl. 06-13**

[52] **U.S. Cl. D29/119**

[58] **Field of Search** D29/113-114,
D29/117, 118-119, 122-123; D2/617, 619;
2/16, 160, 161.1-161.5, 161.7, 162, 163,
168, 21, 20; D21/148, 154, 166, 167, 168,
173, 184

[56] **References Cited**

U.S. PATENT DOCUMENTS

D. 66,540 2/1925 Lindemann .

D. 66,541 2/1925 Lindemann .

D. 96,783 9/1935 Snyder .

D. 107,619 12/1937 Sieverling .

D. 123,244 10/1940 Miller D29/119

D. 217,654 5/1970 Ryland D29/119

D. 239,635 4/1976 Knudsen et al. D21/173

D. 285,952 9/1986 Morgan D21/173

Primary Examiner—Ruth McInroy

[57] **CLAIM**

The ornamental design for a oven pan pad, as shown.

DESCRIPTION

FIG. 1 is a front elevational view of an oven pan pad showing my new design;

FIG. 2 is a rear elevational view thereof;

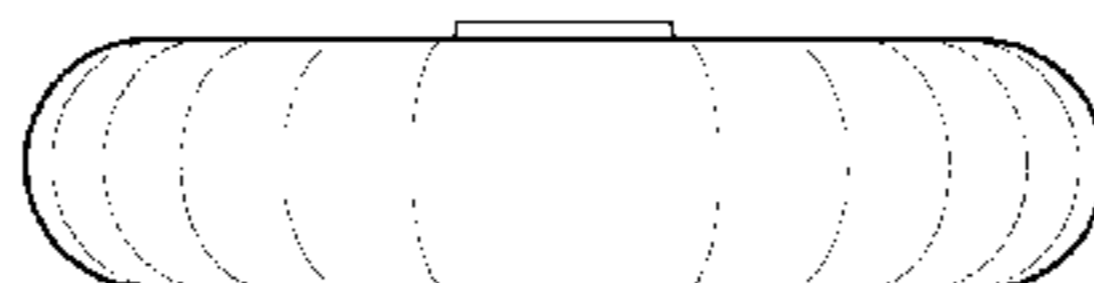
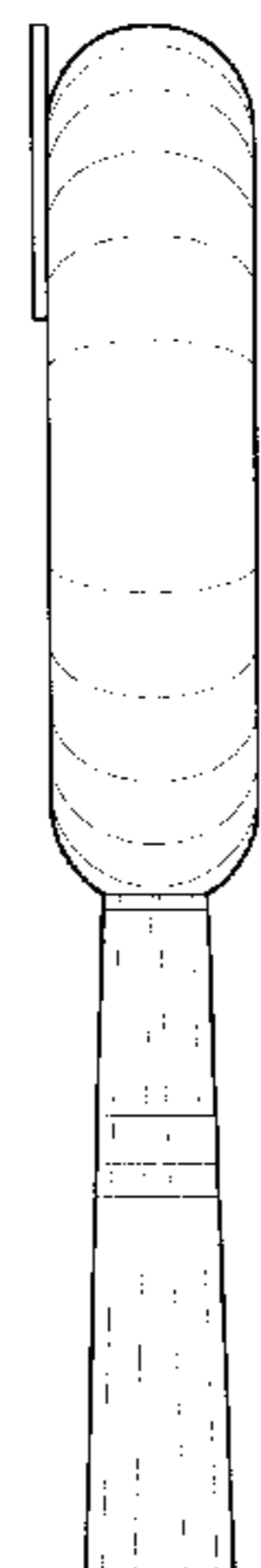
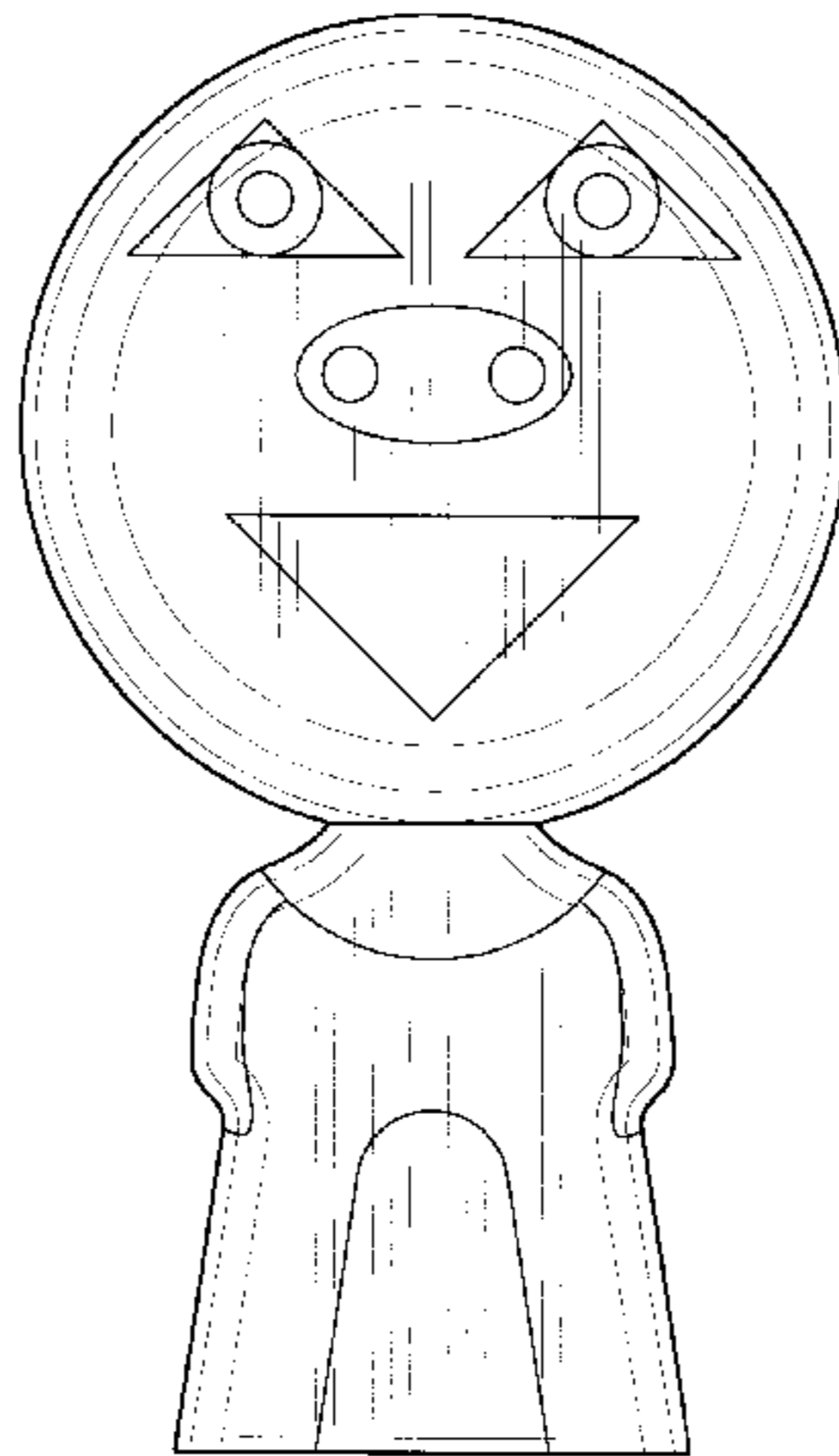
FIG. 3 is a left side elevational view thereof;

FIG. 4 is a right side elevational view thereof;

FIG. 5 is a top plan view thereof; and,

FIG. 6 is a bottom plan view thereof.

1 Claim, 3 Drawing Sheets



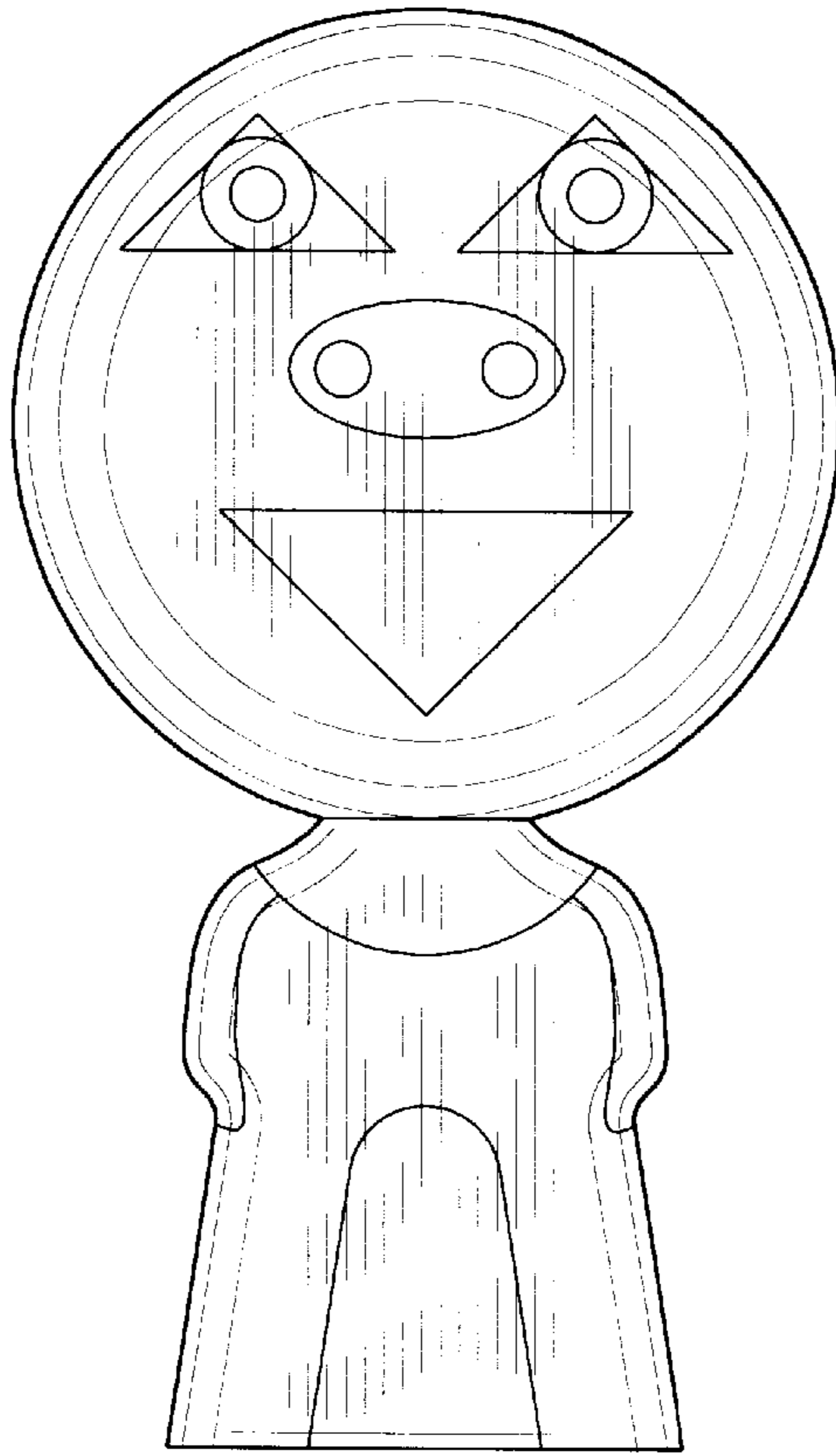


Fig. 1

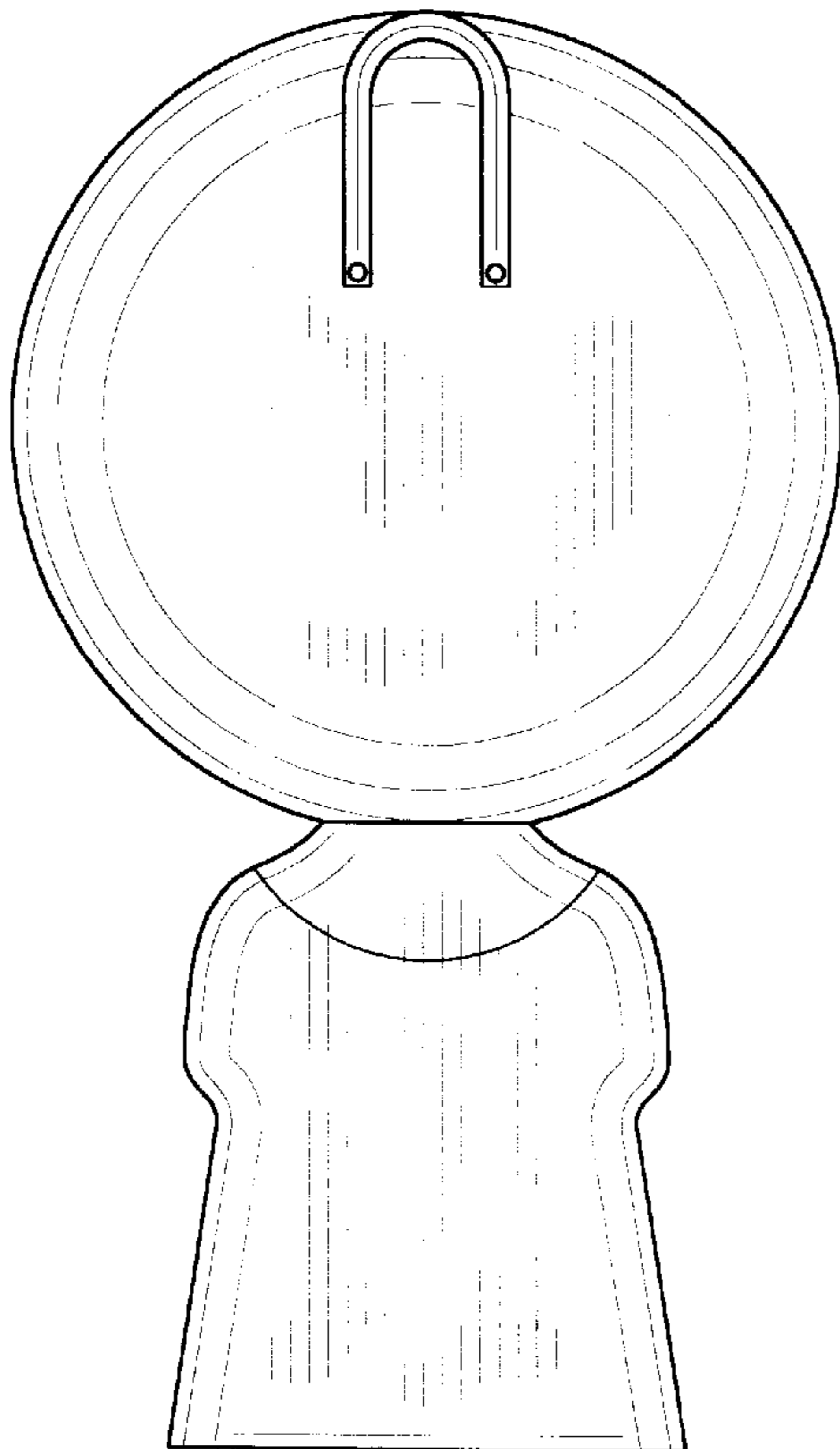


Fig. 2

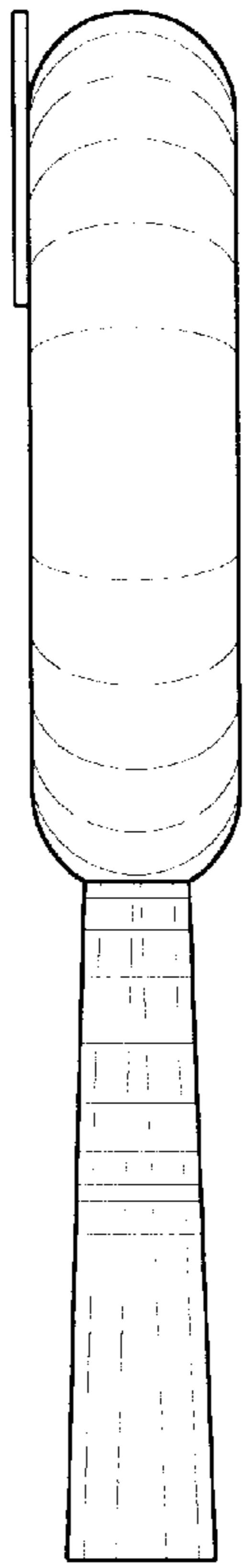


Fig. 3

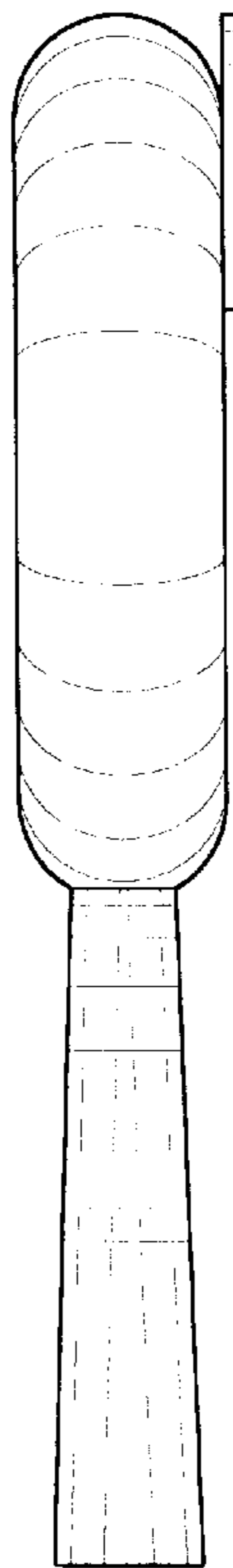


Fig. 4

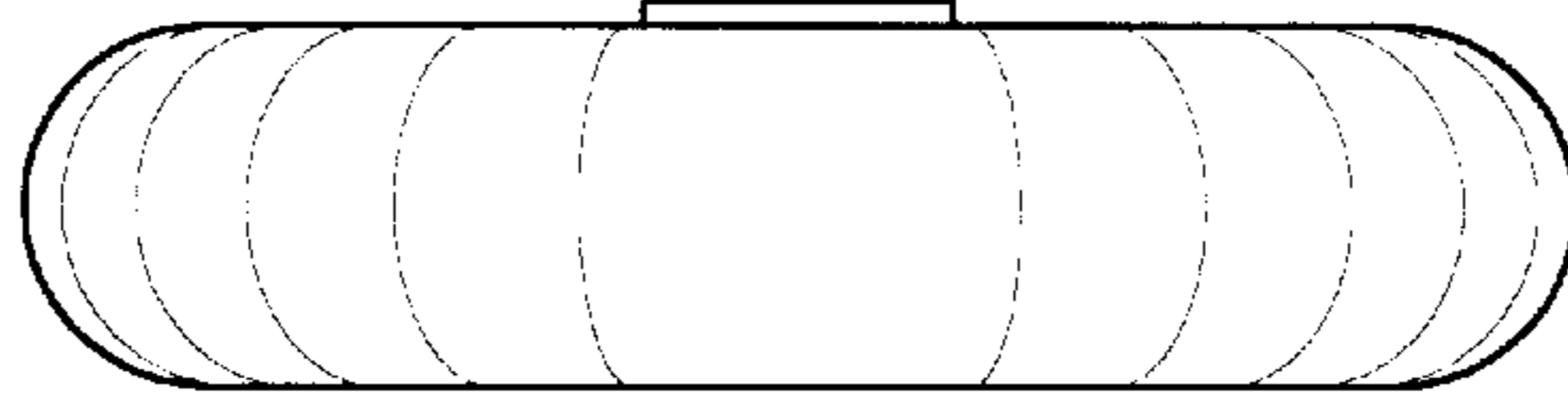


Fig. 5

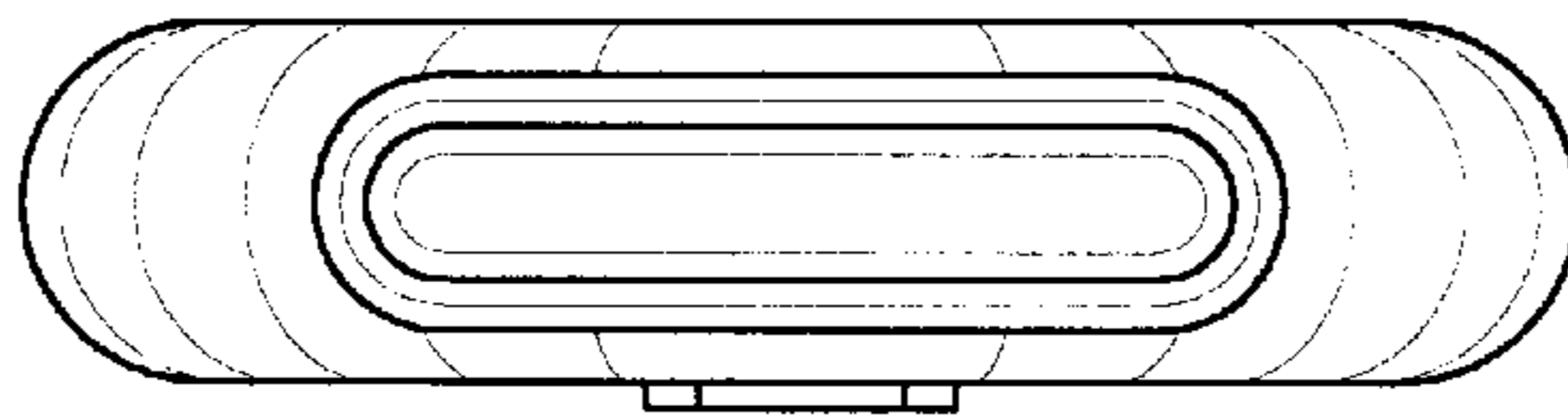


Fig. 6