



US00D401019S

# United States Patent [19] Felicetta

[11] Patent Number: **Des. 401,019**

[45] Date of Patent: **\*\*Nov. 10, 1998**

[54] **SUN SHIELD FACE PROTECTOR**

[76] Inventor: **Tony Felicetta**, 1518 Laurel Canyon -  
#2, Los Angeles, Calif. 90046

[\*\*] Term: **14 Years**

[21] Appl. No.: **58,564**

[22] Filed: **Aug. 19, 1996**

[51] **LOC (6) Cl.** ..... **29-02**

[52] **U.S. Cl.** ..... **D29/109**

[58] **Field of Search** ..... D29/100, 108,  
D29/109, 110; D28/64.1, 64.2, 64.6; D6/300,  
308, 309, 310, 311, 312; 2/455, 9, 209;  
D16/301; 128/857, 858, 849, 846; D24/231-232,  
62, 65; 109/49.5; 160/351

[56] **References Cited**

**U.S. PATENT DOCUMENTS**

D. 315,229 3/1991 Shufelt ..... D29/110  
D. 332,497 1/1993 Shufelt ..... D24/232

D. 349,577 8/1994 Sayles ..... D29/100  
D. 355,036 1/1995 Shufelt ..... D24/232  
1,989,437 1/1935 Weisz .  
3,428,286 2/1969 Del Pesco .  
4,379,349 4/1983 Larson ..... 2/9  
5,012,852 5/1991 Blackhurst ..... 160/351  
5,360,018 11/1994 Chen ..... 128/849

*Primary Examiner*—Ruth McInroy

[57] **CLAIM**

The ornamental design for a sun shield face protector, as shown and described.

**DESCRIPTION**

FIG. 1 is a right side elevational view of a sun shield face protector showing my new design;  
FIG. 2 is a left side view thereof;  
FIG. 3 is a rear elevational view thereof;  
FIG. 4 is a front elevational view thereof;  
FIG. 5 is a top plan view thereof; and,  
FIG. 6 is a bottom plan view thereof.

**1 Claim, 4 Drawing Sheets**

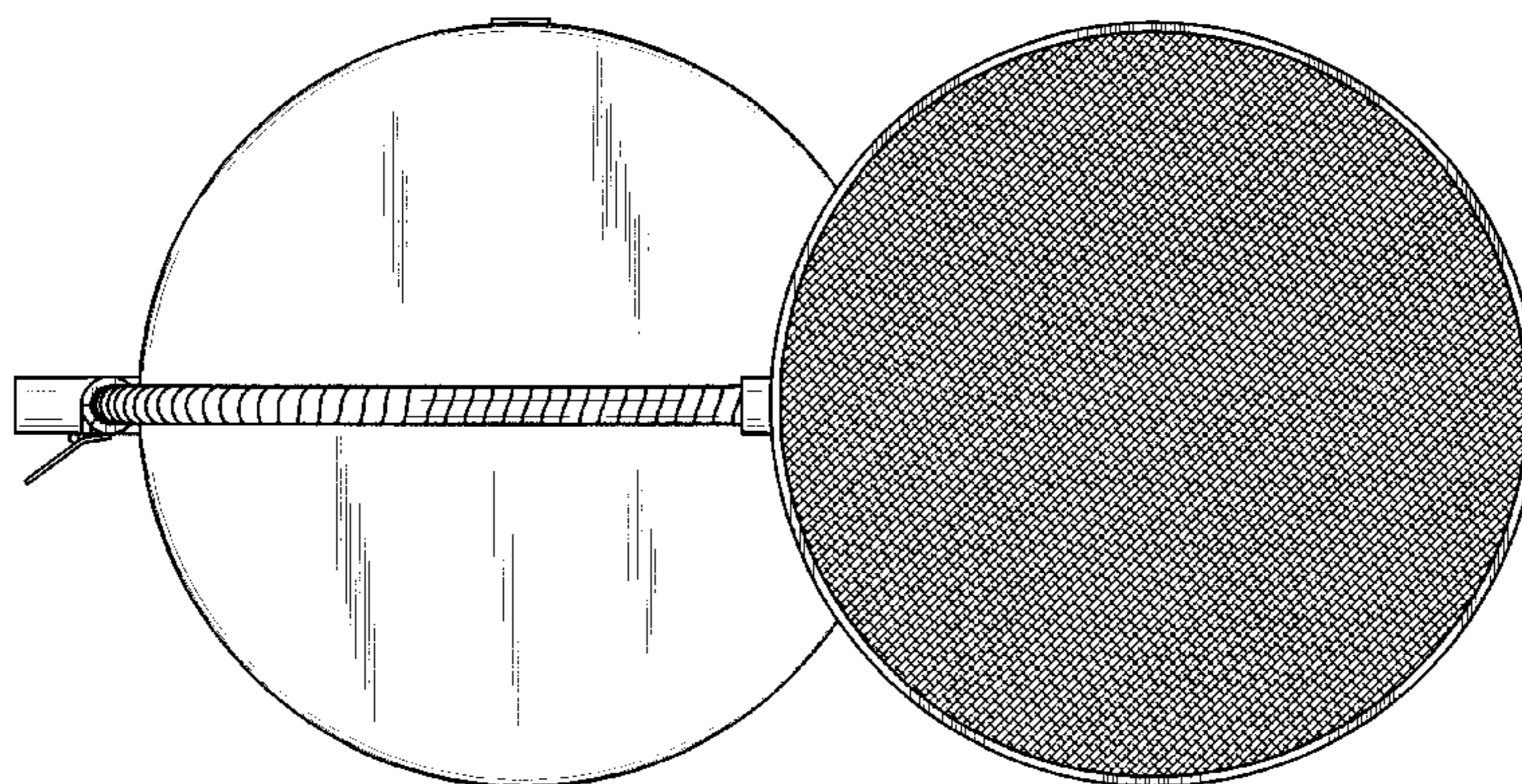
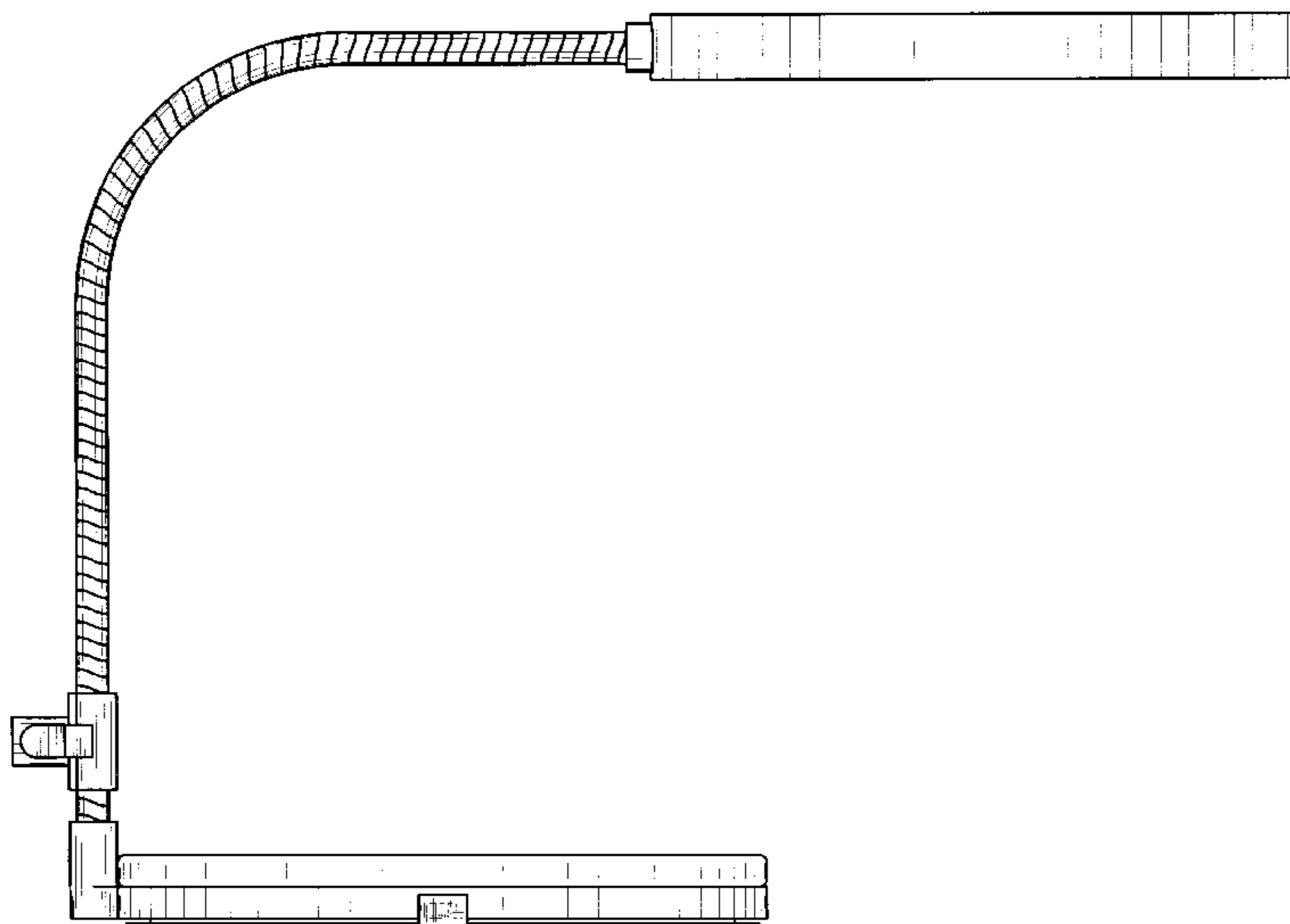


FIG. 1

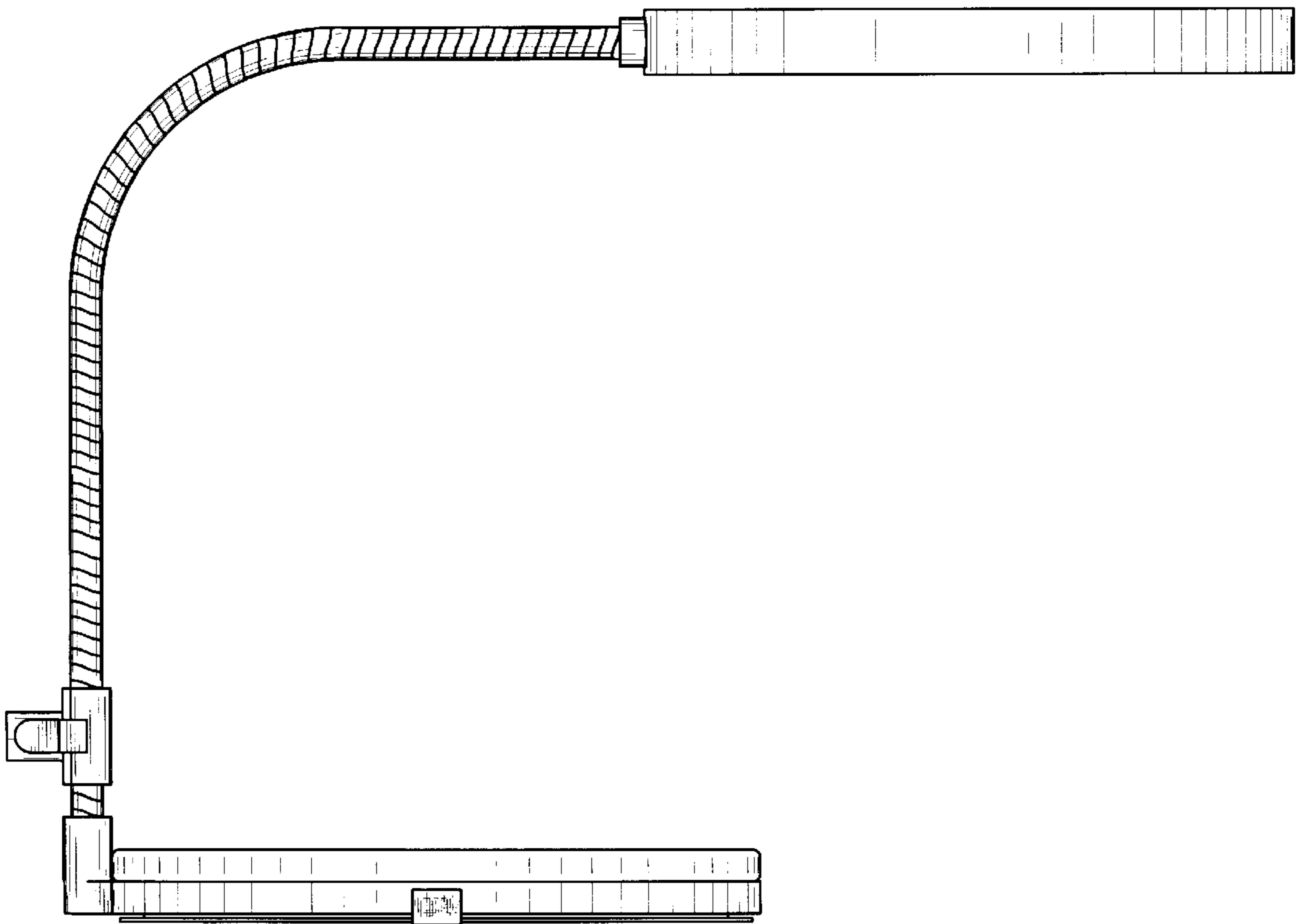


FIG. 2

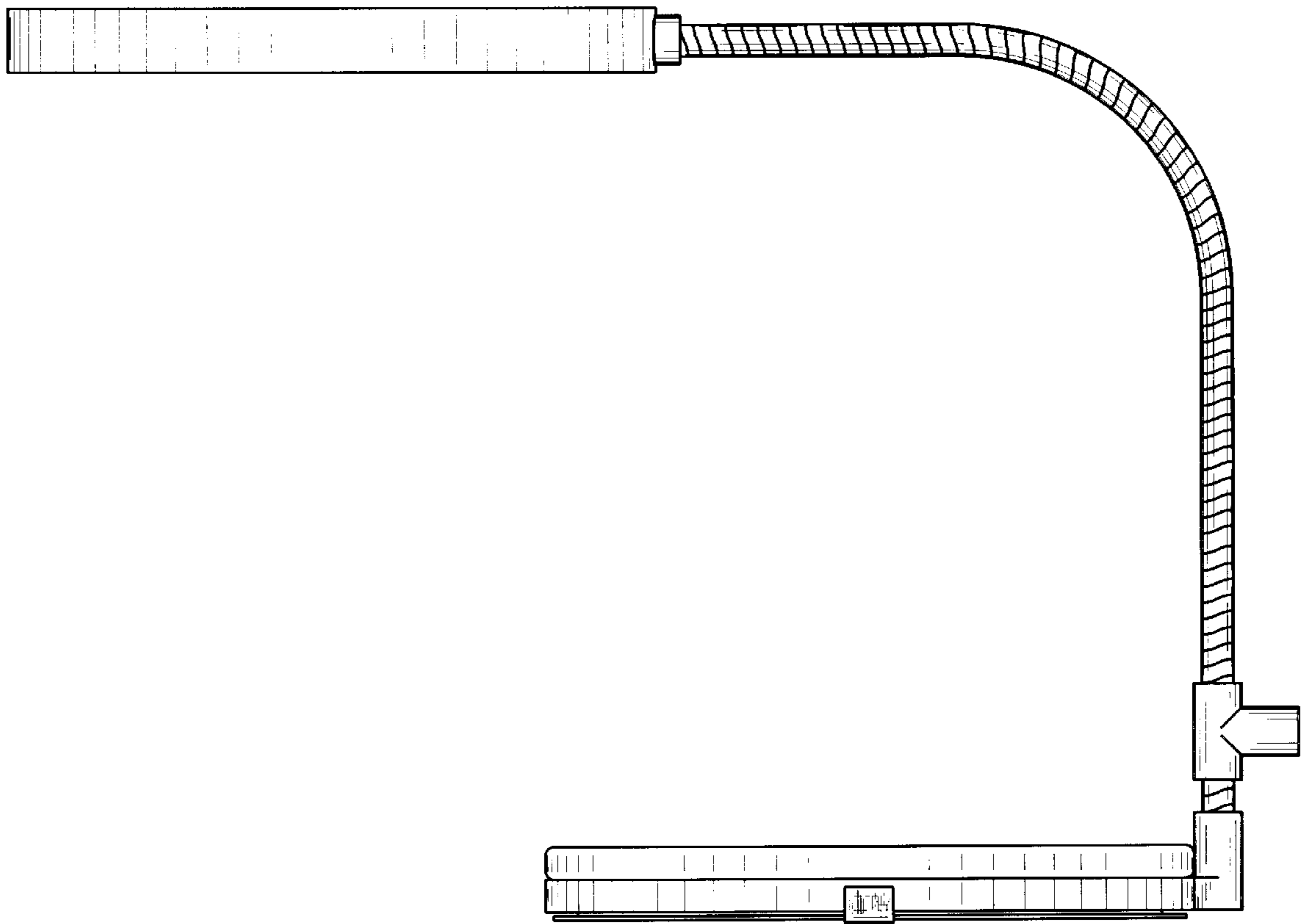


FIG. 3

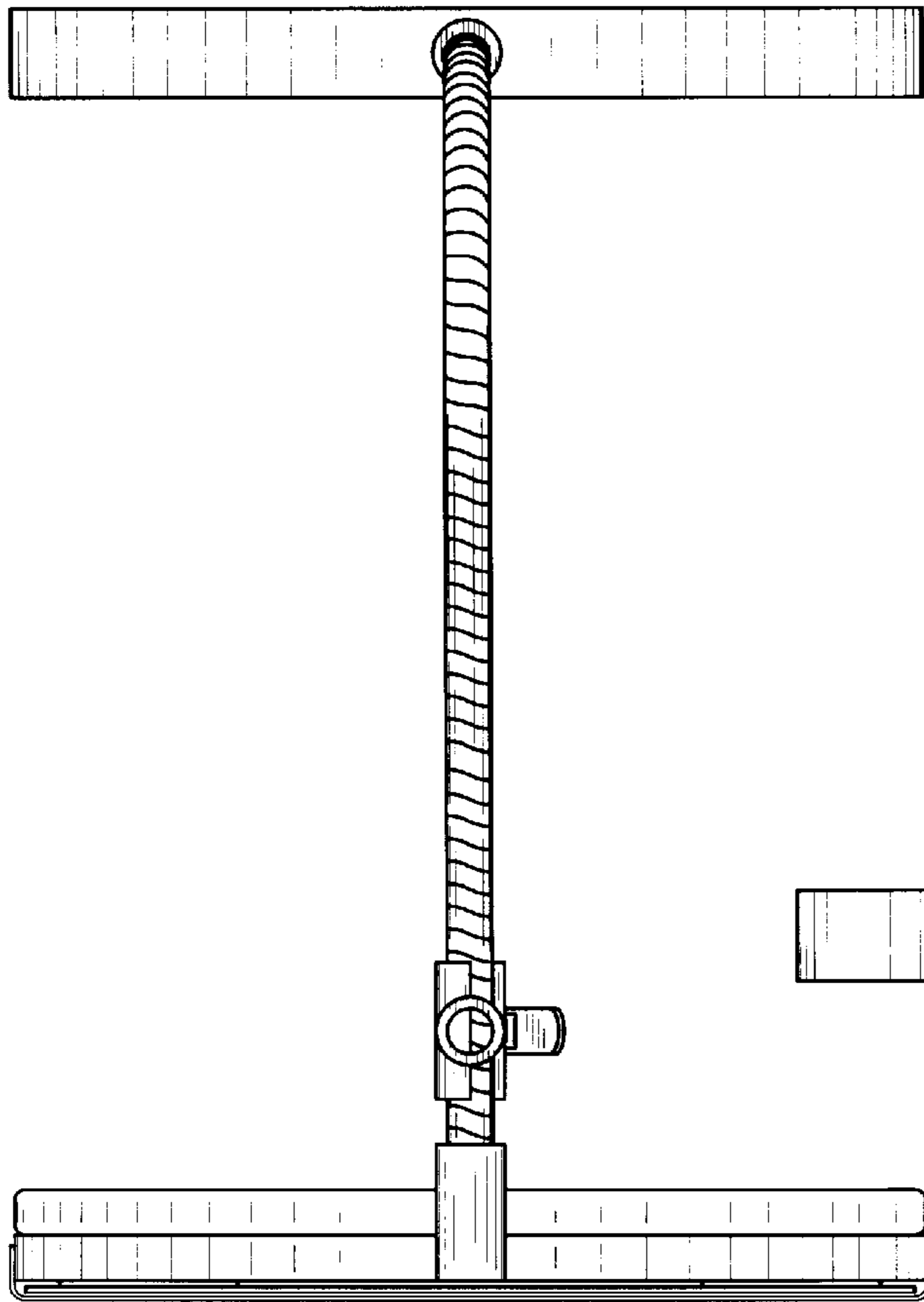


FIG. 4

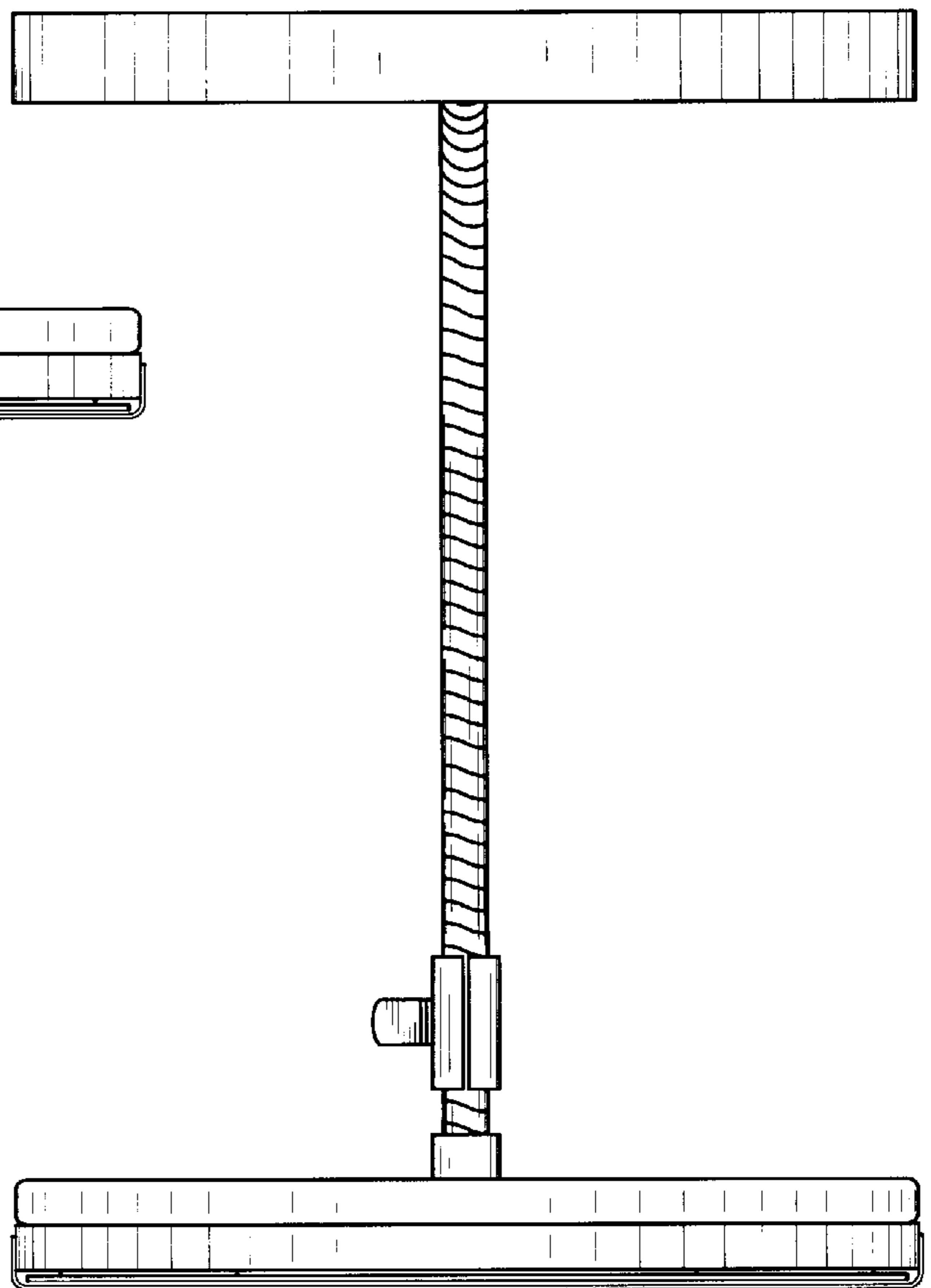




FIG. 5

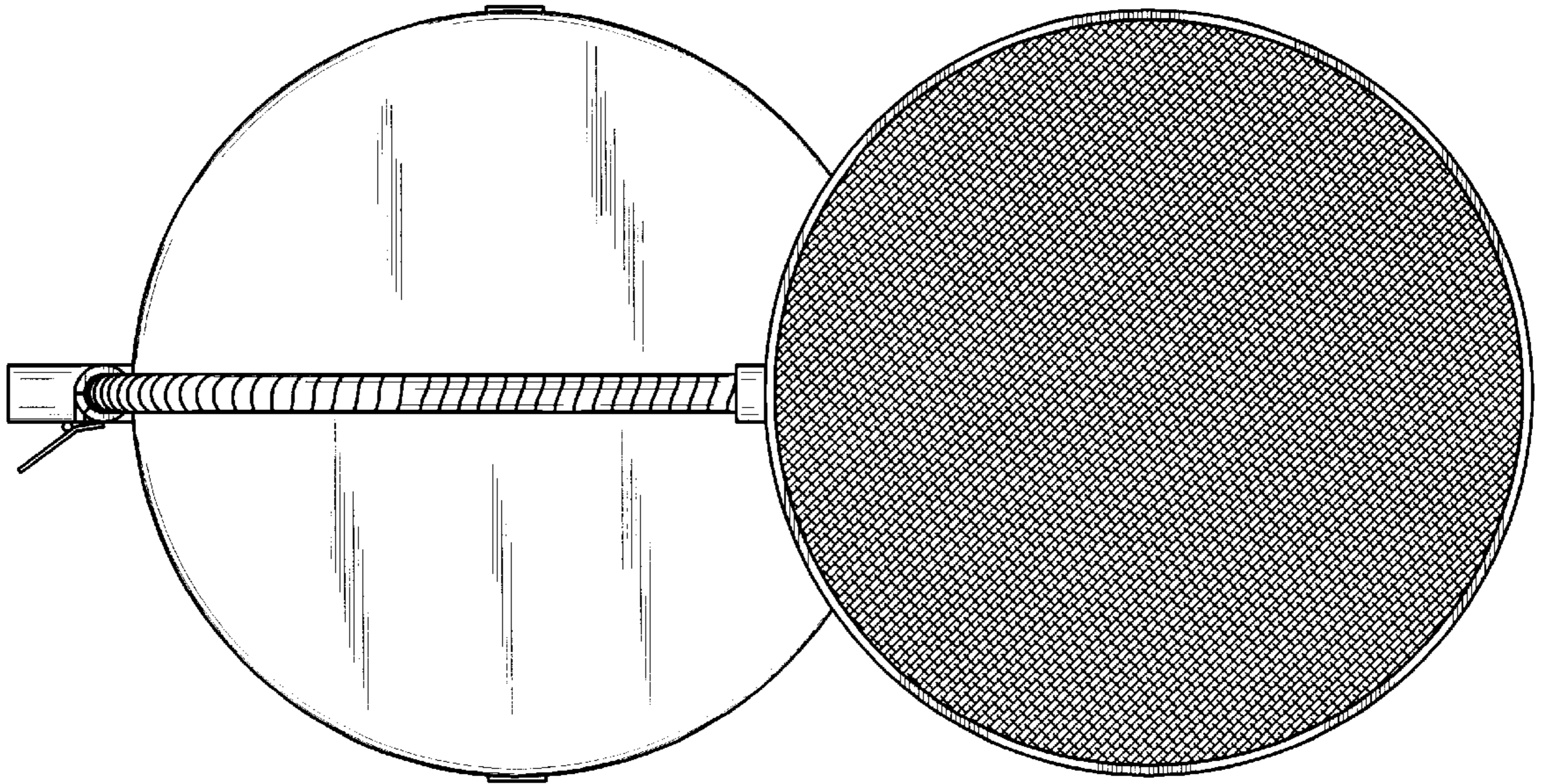


FIG. 6

