



US00D401017S

United States Patent [19] Thorpe

[11] **Patent Number: Des. 401,017**

[45] **Date of Patent: **Nov. 10, 1998**

[54] **COMPACT CASE**

[75] Inventor: **James Richard Warren Thorpe, Kent, England**

[73] Assignee: **Tinchant Thorpe Limited, Kent, England**

[**] Term: **14 Years**

[21] Appl. No.: **75,485**

[22] Filed: **Aug. 14, 1997**

[51] **LOC (6) Cl. 28-03**

[52] **U.S. Cl. D28/78**

[58] **Field of Search** D28/76, 77-83,
D28/91; D9/420, 423; 132/293-307; 206/235,
581, 823; 220/DIG. 26

[56] **References Cited**

U.S. PATENT DOCUMENTS

D. 81,132	5/1930	Gebauer	D28/78
D. 270,389	8/1983	Lee	D28/83
D. 291,609	8/1987	Bakic	D28/83
D. 305,781	1/1990	Ukisu	D28/77 X
D. 332,328	1/1993	Lombardi, Jr.	D28/83
D. 344,817	3/1994	Chen	D28/82
D. 345,622	3/1994	Byars et al.	D28/83
D. 363,303	10/1995	Winston	D28/80 X
D. 367,878	3/1996	Lee et al.	D28/78 X
D. 373,220	8/1996	Lund et al.	D28/77

2,421,646	6/1947	Pepin	220/376 X
4,553,665	11/1985	Weick et al.	206/37
4,684,017	8/1987	Watanabe et al.	206/235
5,636,838	6/1997	Lombardi	132/294

OTHER PUBLICATIONS

Hong Kong Enterprise Nov. 1985, p. 225—compact on lower left.

Primary Examiner—Ted Shooman

Assistant Examiner—C. Tuttle

Attorney, Agent, or Firm—McAulay Fisher Nissen Goldberg & Kiel, LLP

[57] CLAIM

The ornamental design for a compact case, as shown and described.

DESCRIPTION

FIG. 1 is a perspective view of a compact case showing my new design;

FIG. 2 is a front elevational view of FIG. 1;

FIG. 3 is a rear elevational view of FIG. 1;

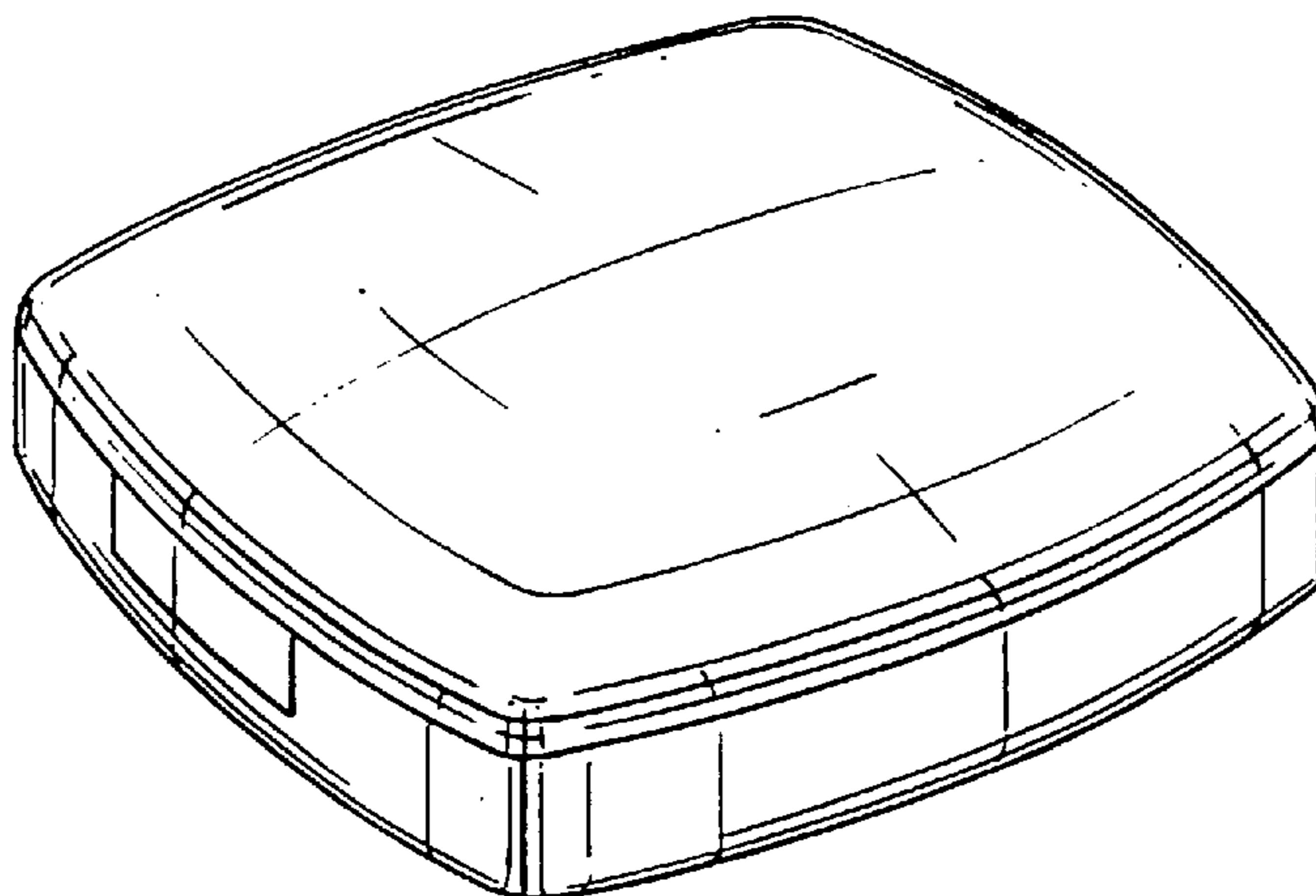
FIG. 4 is a right side view of FIG. 1, the left side view being the same;

FIG. 5 is a top plan view of FIG. 1;

FIG. 6 is a bottom plan view of FIG. 1; and,

FIG. 7 is a perspective view similar to FIG. 1 showing the lid in an open position.

1 Claim, 2 Drawing Sheets



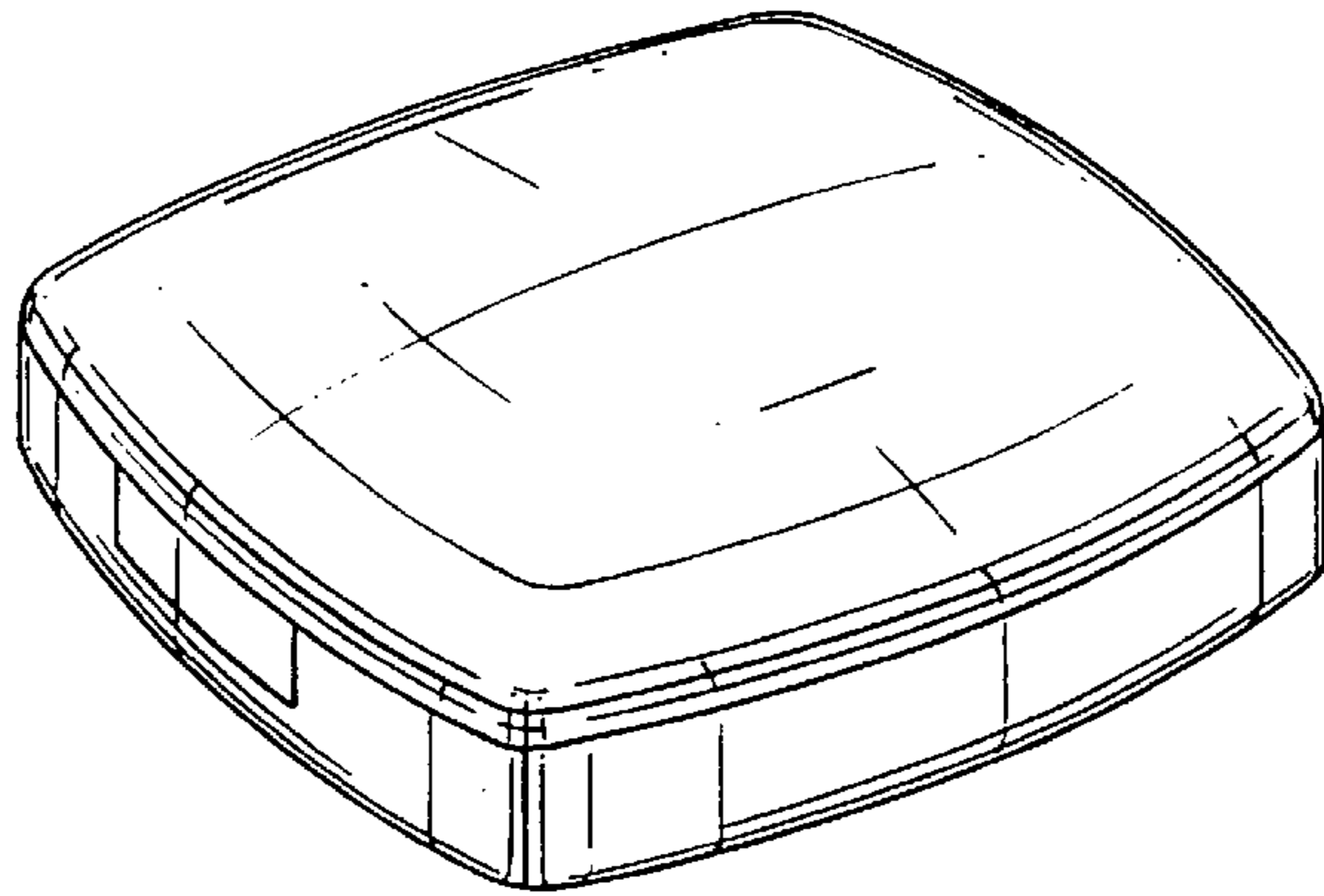


Fig. 1

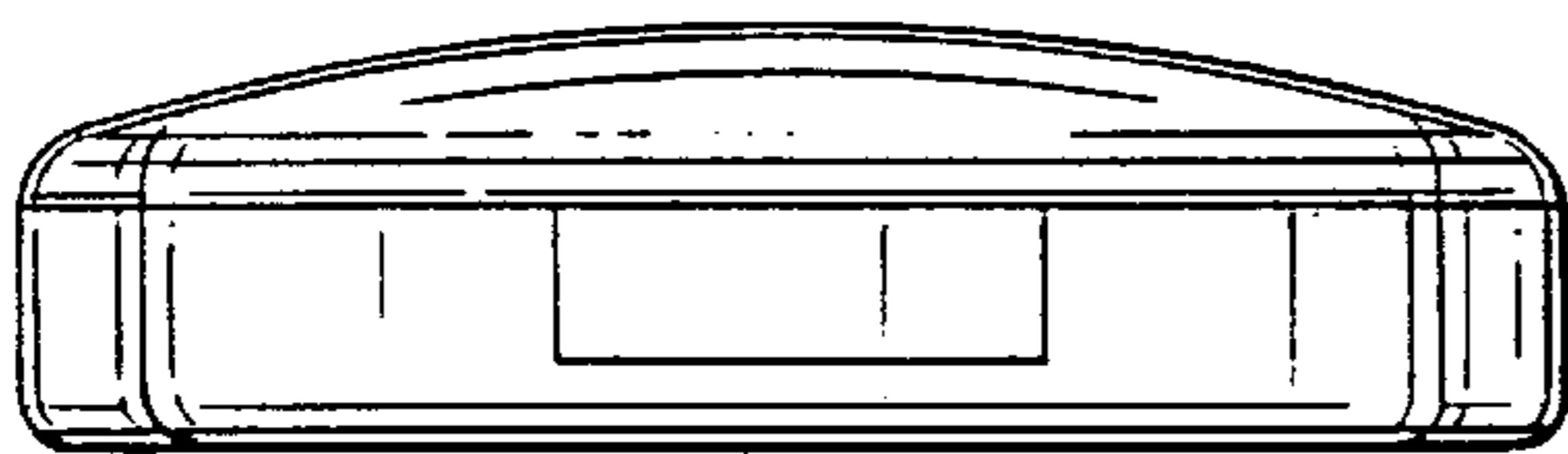


Fig. 2

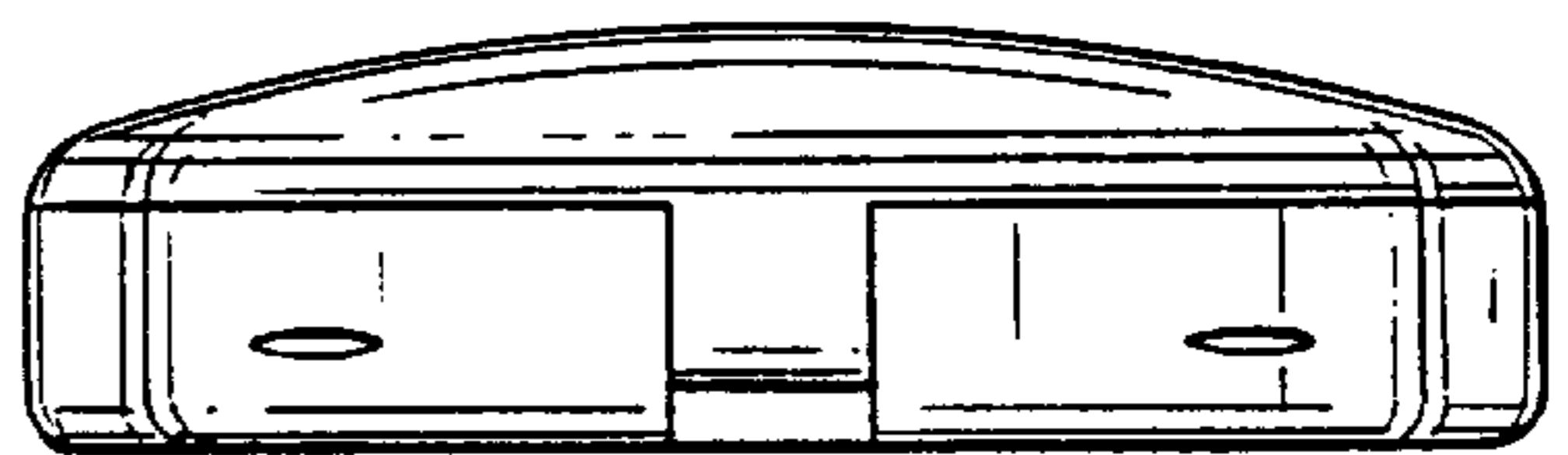


Fig. 3

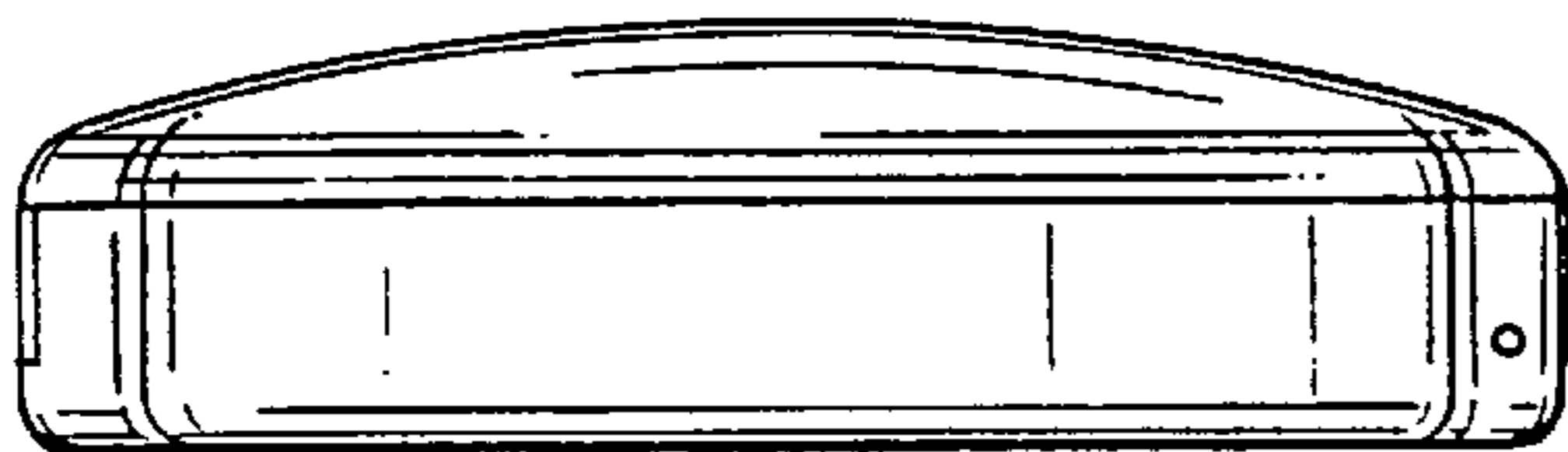


Fig. 4

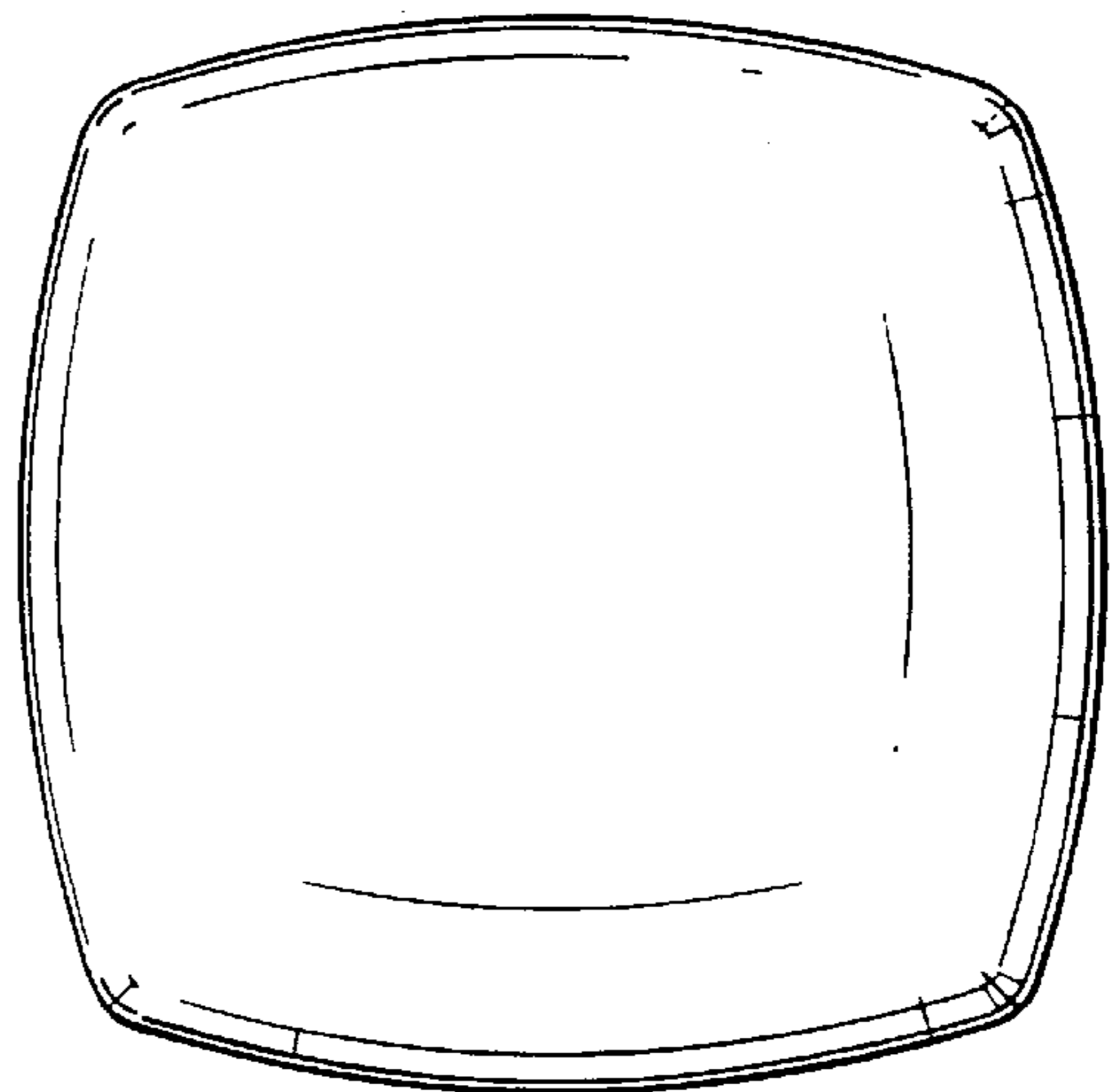


Fig. 5

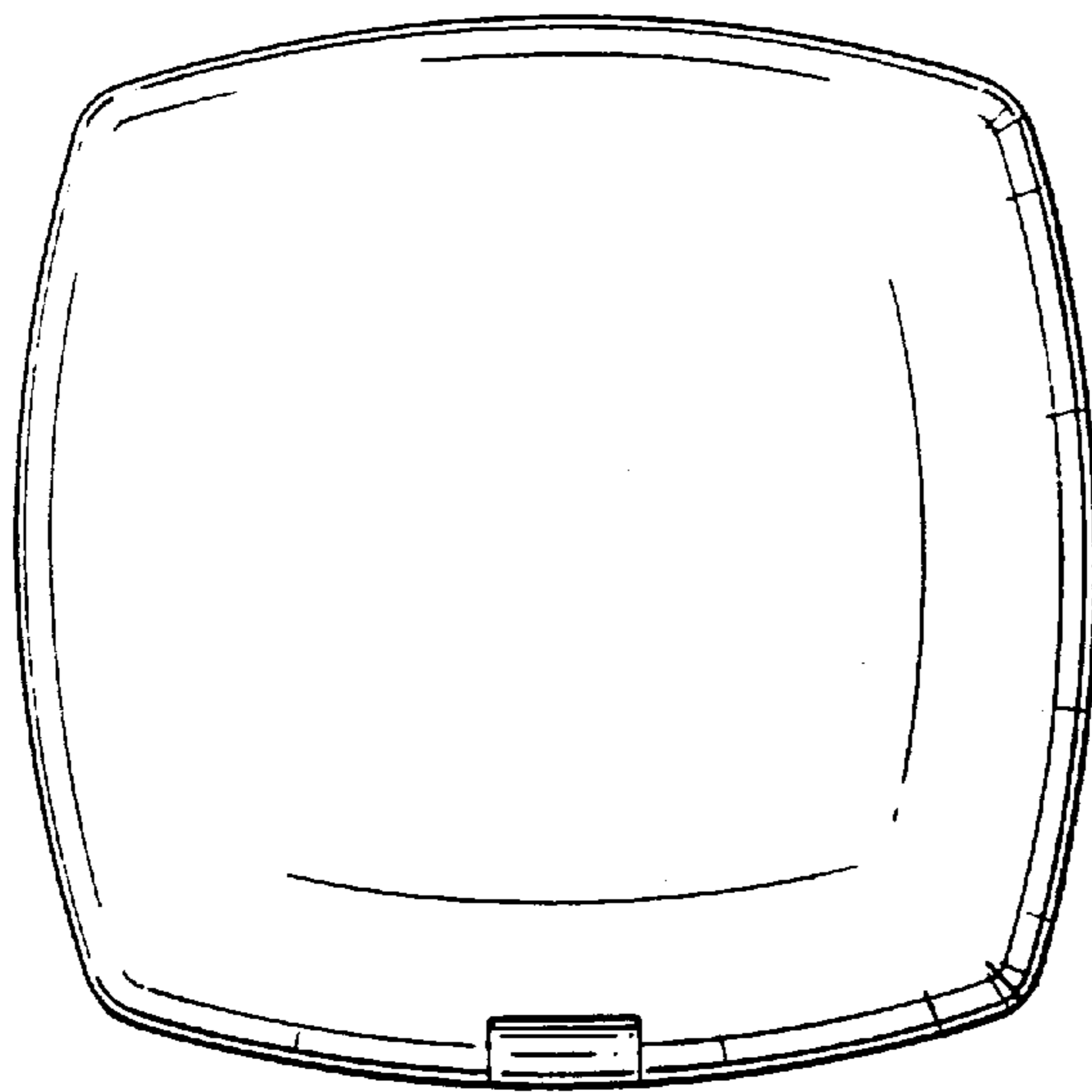


Fig. 6

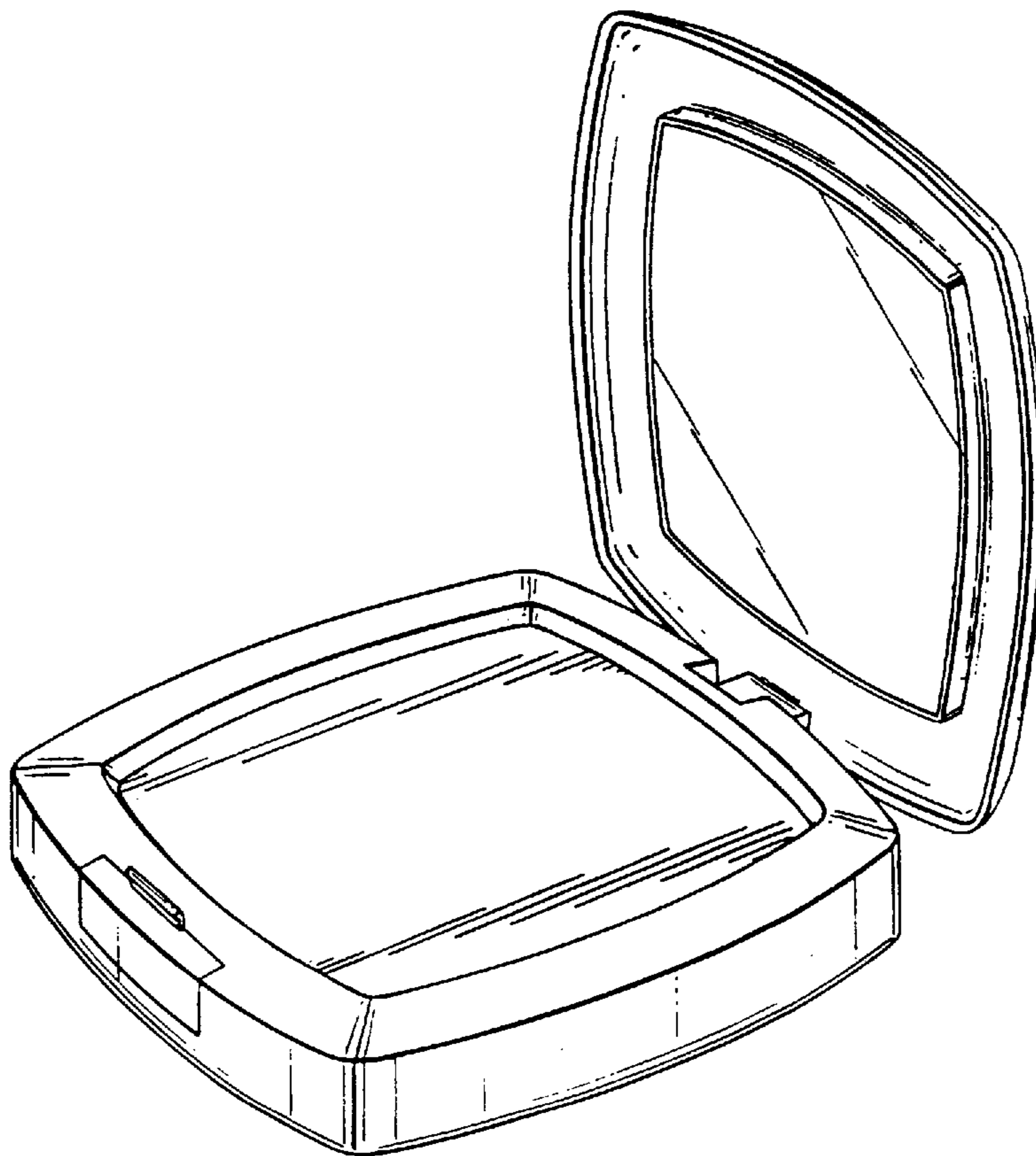


Fig. 7