



US00D401014S

United States Patent [19]

[11] **Patent Number: Des. 401,014**

Tseng et al.

[45] **Date of Patent: **Nov. 10, 1998**

[54] **SHAVING AID STRIP FOR RAZOR CARTRIDGE**

WO 93/16135 8/1993 WIPO .
WO 94/04325 3/1994 WIPO .
WO 95/20472 8/1995 WIPO .
WO 95/22444 8/1995 WIPO .
WO 96/01172 1/1996 WIPO .
WO 96/04112 2/1996 WIPO .
WO 96/13360 9/1996 WIPO .

[75] Inventors: **Mingchih M. Tseng**, Hingham;
Stephen C. Metcalf, West Newton,
both of Mass.

[73] Assignee: **The Gillette Company**, Boston, Mass.

OTHER PUBLICATIONS

[**] Term: **14 Years**

“The Razor Tamer”, Wafer Shave No Drawings.

[21] Appl. No.: **67,419**

Primary Examiner—Ted Shooman

Assistant Examiner—C. Tuttle

[22] Filed: **Feb. 27, 1997**

Attorney, Agent, or Firm—Fish & Richardson P.C.

[51] **LOC (6) Cl. 28-03**

[57] CLAIM

[52] **U.S. Cl. D28/47**

The ornamental design for a shaving aid strip for a razor cartridge, as shown and described.

[58] **Field of Search D28/46, 47; 30/41, 30/48-51, 34.2, 74.1, 77-81, 65**

DESCRIPTION

[56] References Cited

FIG. 1 is a perspective view of a shaving aid strip for a razor cartridge showing our new design;

U.S. PATENT DOCUMENTS

D. 231,050 3/1974 Gray D28/46
1,147,054 7/1915 Turka 30/72
2,111,217 3/1938 Lawrence 30/65

FIG. 2 is a side elevation view of the shaving aid strip of FIG. 1, the other side elevation view being a mirror image thereof;

(List continued on next page.)

FOREIGN PATENT DOCUMENTS

133093 4/1933 Austria .
0 348 627 A1 1/1990 European Pat. Off. .
0 287 387 B1 9/1991 European Pat. Off. .
0 313 184 B1 6/1992 European Pat. Off. .
0 550 835 A1 12/1992 European Pat. Off. .
1481271 4/1967 France 30/41
2 563 142 A1 10/1985 France .
2 637 528 A1 4/1990 France .
35 33 238 A1 3/1987 Germany .
36 04 983 A1 8/1987 Germany .
7-124344 5/1995 Japan .
2 024 082 1/1980 United Kingdom .
2 183 523 6/1987 United Kingdom .
WO 92/15278 9/1992 WIPO .
WO 93/15883 8/1993 WIPO .

FIG. 3 is a top plan view of the shaving aid strip of FIG. 1;

FIG. 4 is a front elevation view of the shaving aid strip of FIG. 1, the rear elevation view being a mirror image thereof;

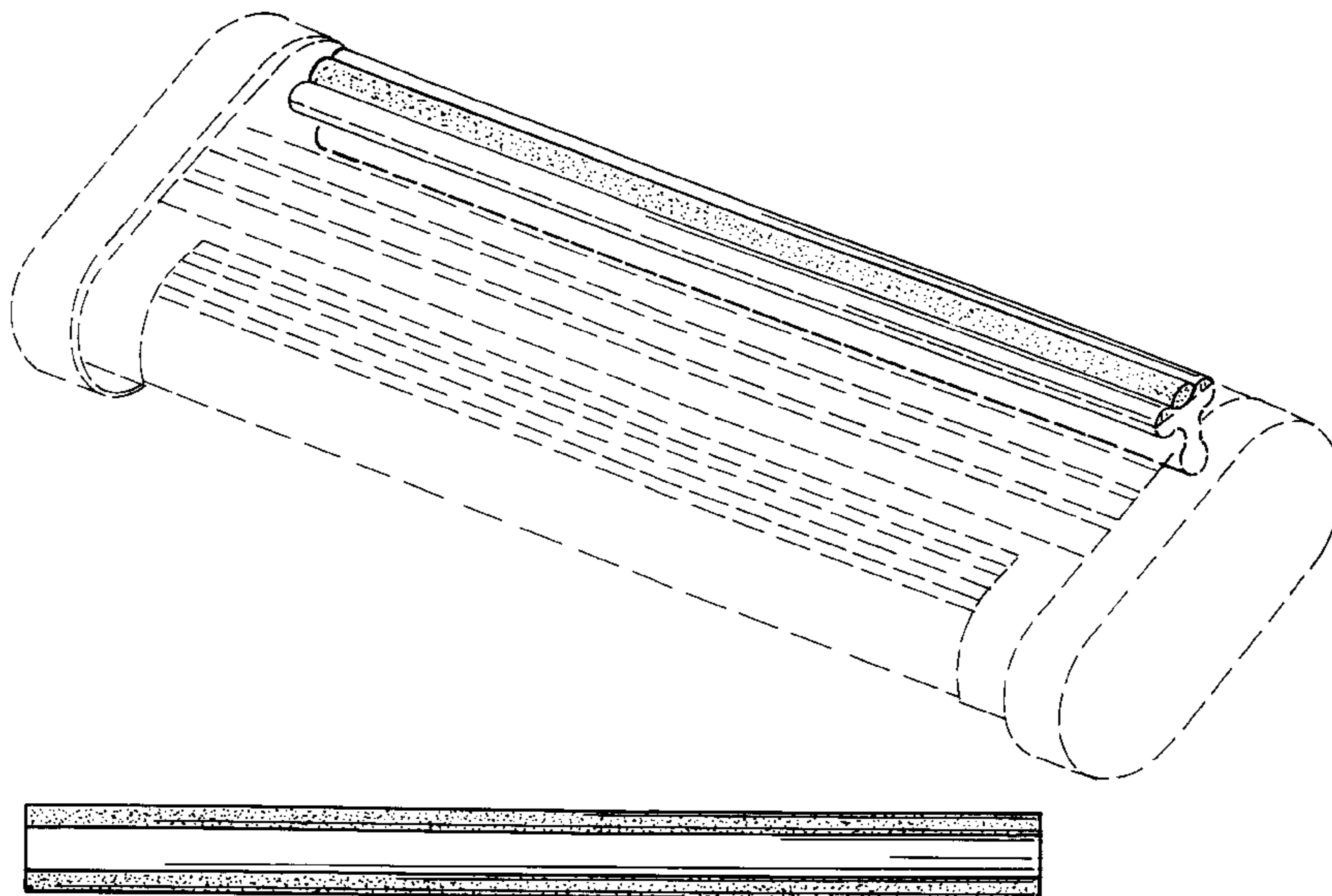
FIG. 5 is a side elevation view of a second embodiment of the shaving aid strip of FIG. 1, the other side elevation view being a mirror image thereof;

FIG. 6 is a top plan view of the shaving aid strip of FIG. 5; and,

FIG. 7 is a front elevation view of the shaving aid strip of FIG. 5, the rear elevation view being a mirror image thereof. The broken line which defines the lower boundary of the claimed design forms no part thereof. The broken lines showing the razor cartridge and parts underlying the broken line boundary are for illustrative purposes only and form no part of the claimed design.

The stippling represents a color contrasting surface.

1 Claim, 1 Drawing Sheet



U.S. PATENT DOCUMENTS

2,326,774	8/1943	Freedman .	4,850,106	7/1989	Braun et al. .
2,680,290	6/1954	Steinberg .	4,872,263	10/1989	Etheredge, III .
2,703,451	3/1955	Hensel et al. .	4,875,287	10/1989	Creary et al. .
2,750,664	6/1956	Merlo .	5,005,287	4/1991	Ritter .
2,812,575	11/1957	Abbott et al. .	5,056,221	10/1991	Thoene .
2,885,993	5/1959	Murphy .	5,056,222	10/1991	Miller et al. .
3,229,659	1/1966	Sciascia .	5,062,209	11/1991	Rais .
3,394,456	7/1968	Gatz .	5,063,667	11/1991	Jacobson .
3,512,256	5/1970	Snyder .	5,079,839	1/1992	Conrad, Jr. et al. .
3,517,442	6/1970	Regan 30/41	5,095,619	3/1992	Davis et al. .
3,618,563	11/1971	Singer .	5,095,620	3/1992	Althaus .
3,673,684	7/1972	Muntz 30/34.2	5,113,585	5/1992	Rogers et al. .
3,879,844	4/1975	Griffiths .	5,119,557	6/1992	Kaiko .
4,170,821	10/1979	Booth .	5,134,775	8/1992	Althaus et al. .
4,201,599	5/1980	Morgans .	5,161,307	11/1992	Althaus .
4,208,984	6/1980	Glanzman .	5,191,712	3/1993	Crook et al. .
4,268,958	5/1981	Hilbert .	5,228,478	7/1993	Kleisle .
4,381,293	4/1983	Michel .	5,240,107	8/1993	Casale .
4,586,255	5/1986	Jacobson .	5,249,361	10/1993	Apprille, Jr. et al. .
4,604,604	8/1986	Mann .	5,340,581	8/1994	Tseng et al. .
4,624,051	11/1986	Apprille, Jr. et al. .	5,345,680	9/1994	Vreeland et al. .
4,683,096	7/1987	Ferraro .	5,347,716	9/1994	Crook .
4,692,986	9/1987	Motta et al. .	5,349,750	9/1994	Tseng .
4,697,342	10/1987	Ferraro .	5,388,331	2/1995	Doroodian-Shoja Siamak .
4,777,722	10/1988	Trotta .	5,410,810	5/1995	Gillibrand .
4,778,640	10/1988	Braun et al. .	5,416,973	5/1995	Brown et al. .
4,802,255	2/1989	Breuer et al. .	5,430,939	7/1995	Johnston .
			5,454,164	10/1995	Yin et al. .

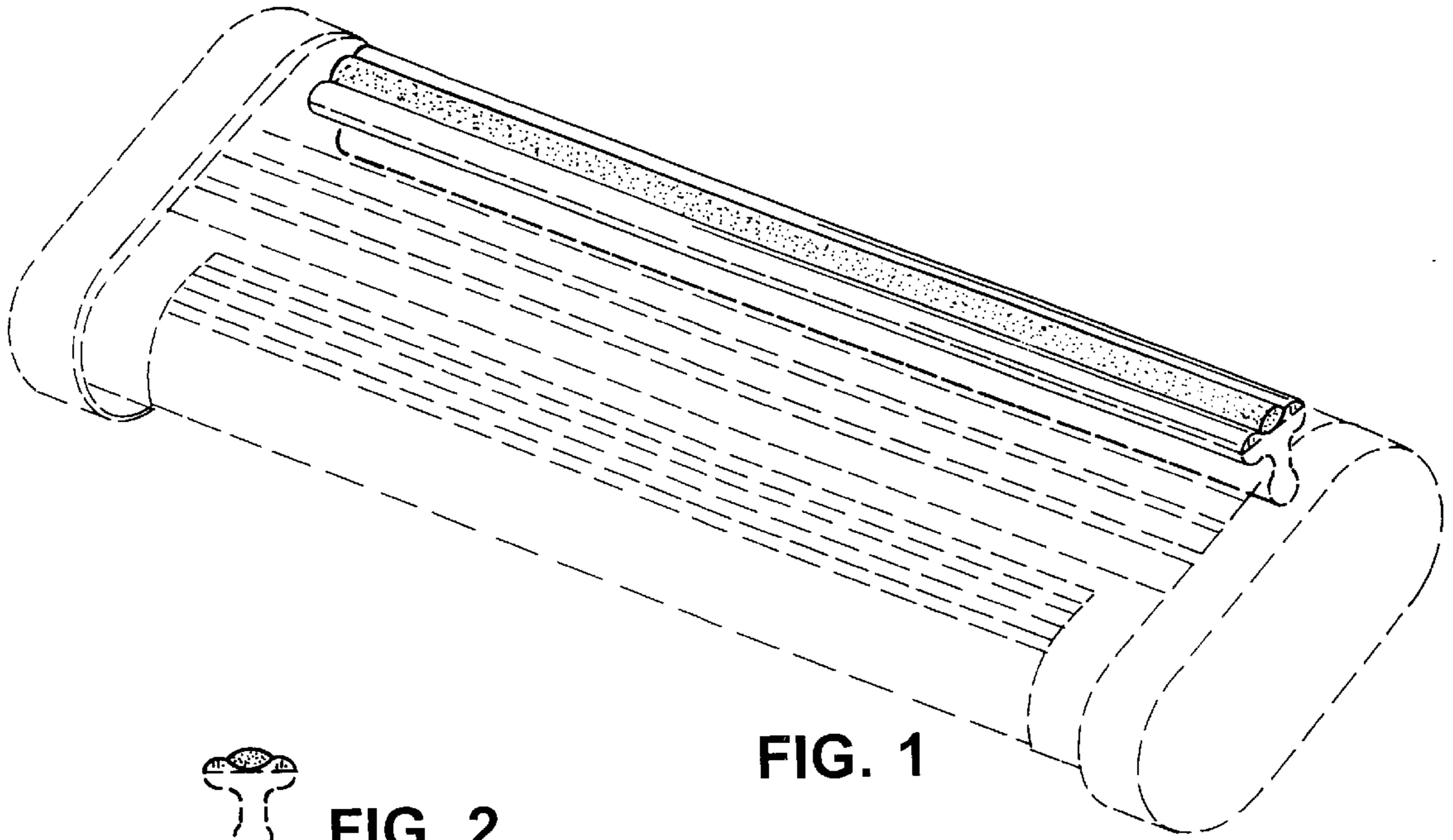


FIG. 1



FIG. 2

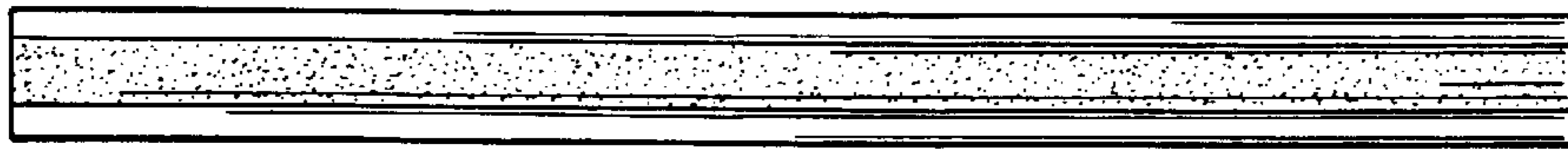


FIG. 3

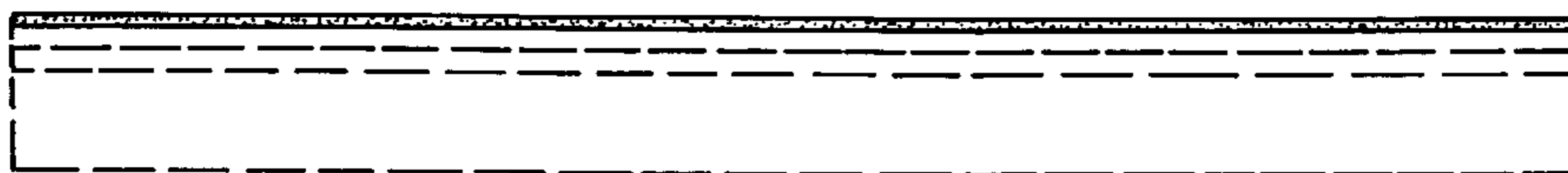


FIG. 4



FIG. 5

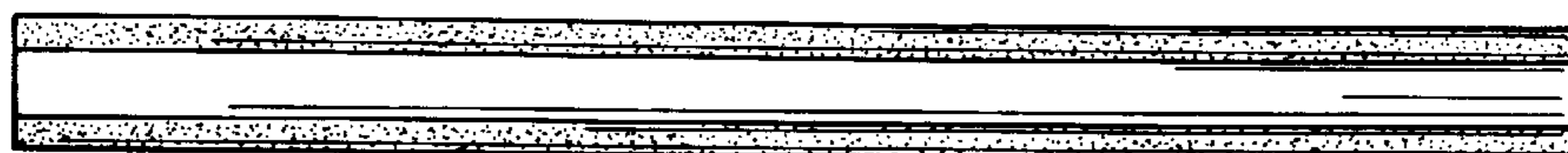


FIG. 6

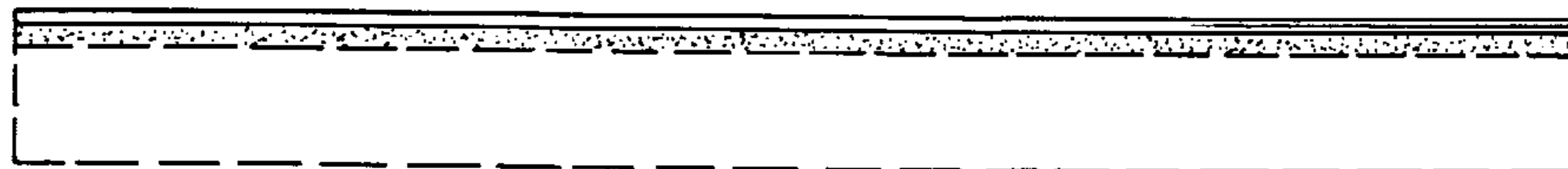


FIG. 7