



US00D401011S

United States Patent [19] Sloan, II

[11] **Patent Number: Des. 401,011**

[45] **Date of Patent: **Nov. 10, 1998**

[54] **CIGAR TIP**

[76] Inventor: **Orlando W. Sloan, II**, 2901 W. 84th Pl., Inglewood, Calif. 90305

[**] Term: **14 Years**

[21] Appl. No.: **70,565**

[22] Filed: **Jun. 5, 1997**

[51] **LOC (6) Cl.** **27-06**

[52] **U.S. Cl.** **D27/183**

[58] **Field of Search** D27/170, 171, D27/172, 183, 193, 137, 138; 131/188, 198.1, 187, 230, 175, 182, 183, 191, 227, 330

[56] **References Cited**

U.S. PATENT DOCUMENTS

D. 72,012	2/1927	Gurnee et al.	D27/170
D. 142,797	11/1945	Taylor	D27/170
D. 200,035	1/1965	Mogulescu	D27/170
683,234	9/1901	Thompson	131/188

2,532,531	12/1950	Angert	131/188
2,838,052	6/1958	Crisafulli	131/230
3,137,303	6/1964	Shaw	131/187
4,009,724	3/1977	Prohoroff	131/187
5,551,449	9/1996	Huang	131/187

Primary Examiner—Susan J. Lucas
Assistant Examiner—Jennifer Rivard

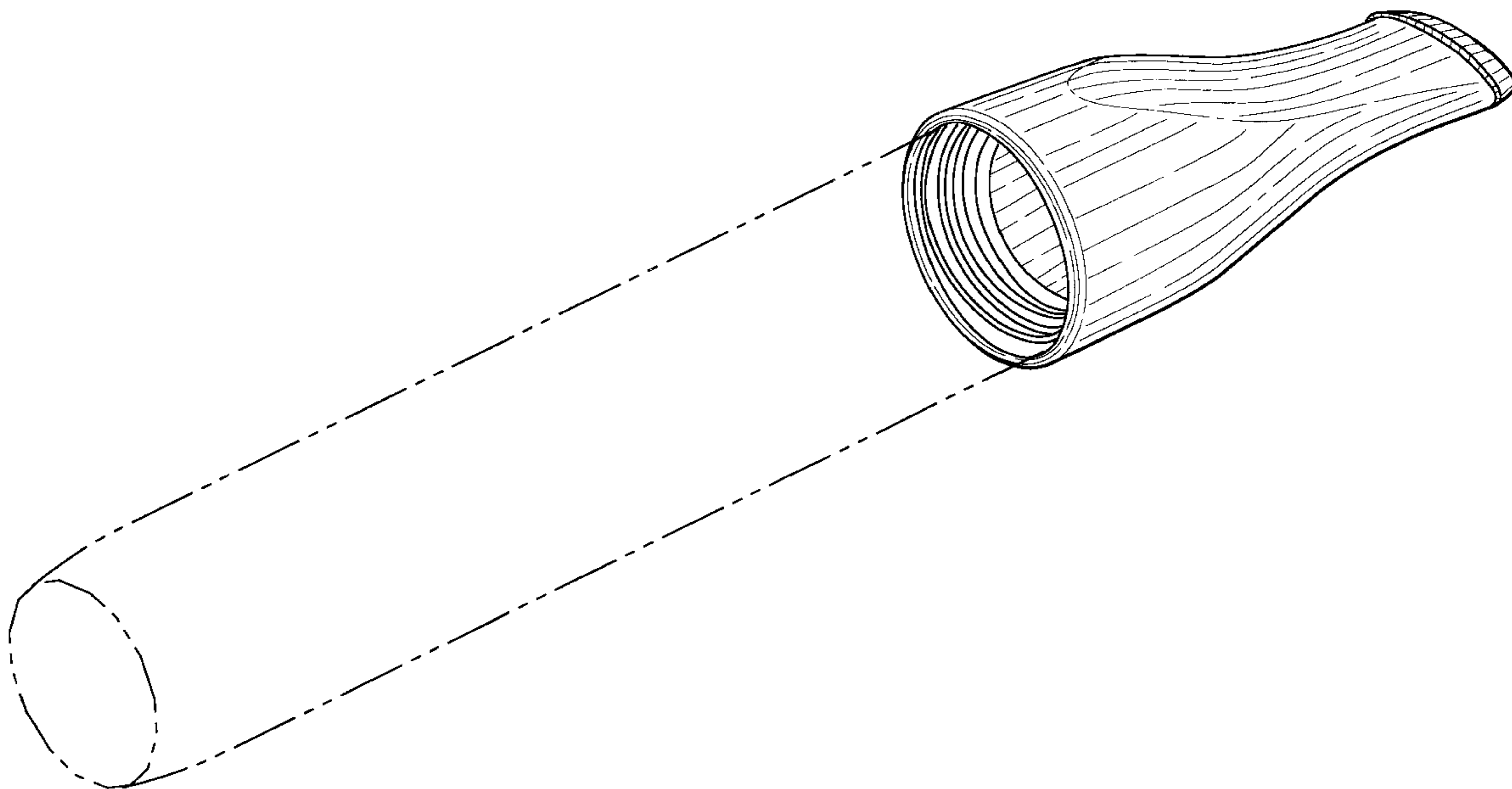
[57] **CLAIM**

The ornamental design for a cigar tip, as shown and described.

DESCRIPTION

FIG. 1 is a diagrammatic perspective view of the cigar tip in full lines with a cigar shown in broken lines representing environmental association matter being for illustrative purposes only and forming no part of the claimed invention; FIG. 2 is a right side elevational view thereof, the left side view being a mirror image of the right side view; FIG. 3 is a top plan view of the cigar tip, the bottom plan view being a mirror image of the top plan view; FIG. 4 is a rear elevational view thereof; and, FIG. 5 is a front elevational view thereof.

1 Claim, 2 Drawing Sheets



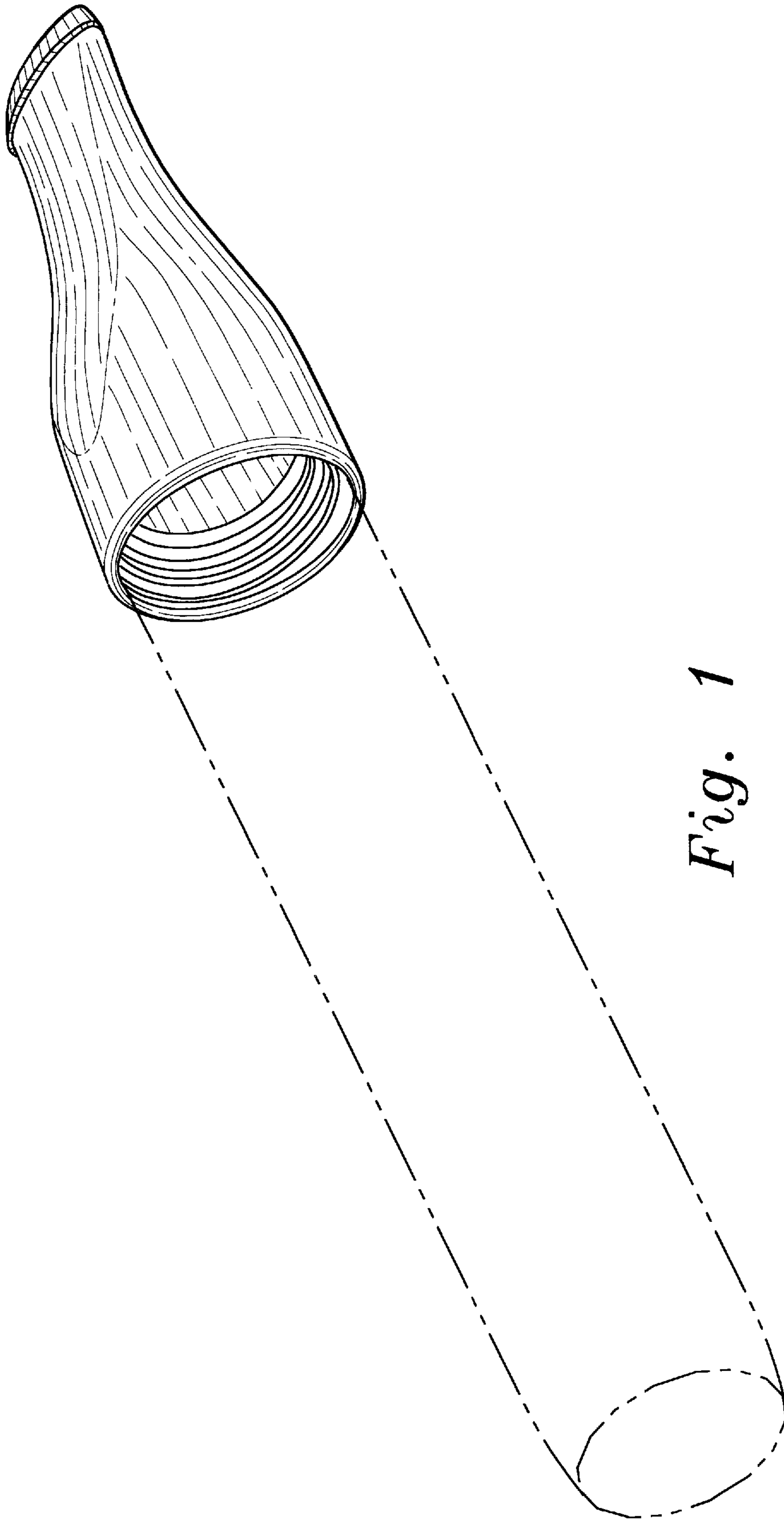


Fig. 1

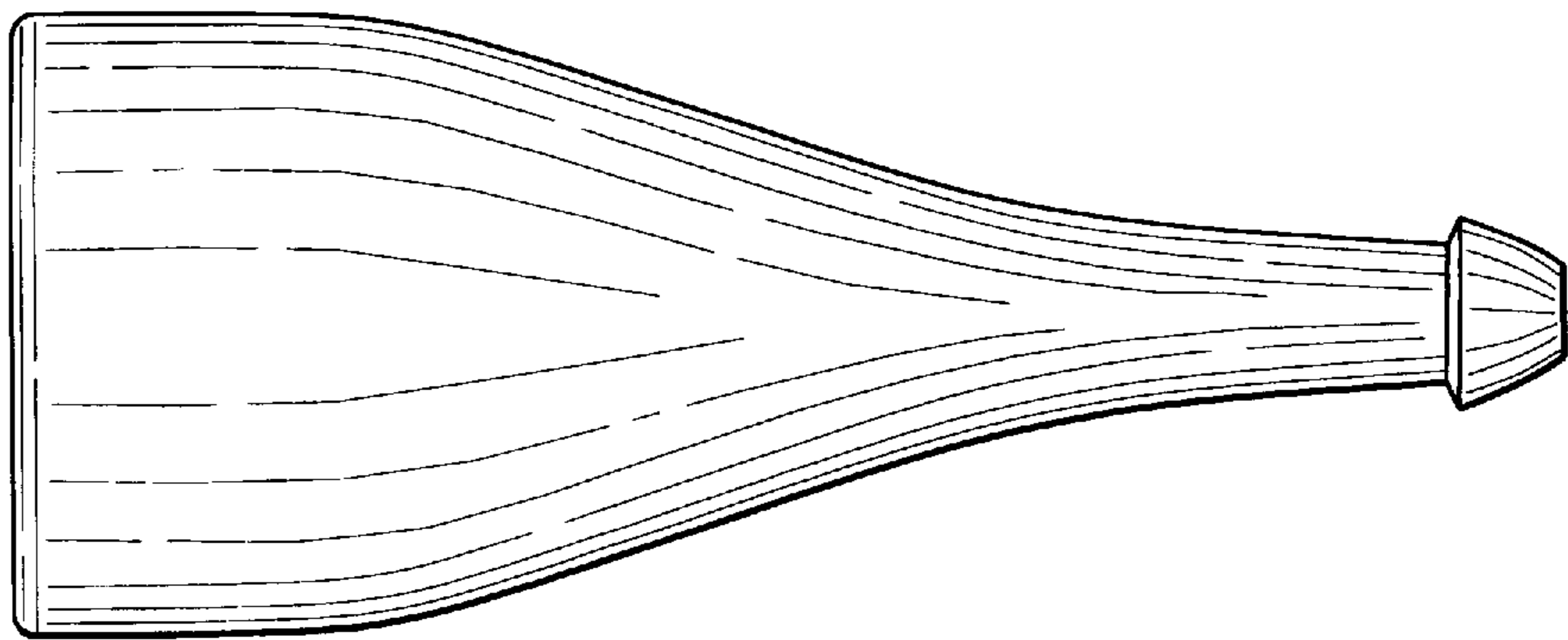


Fig. 2

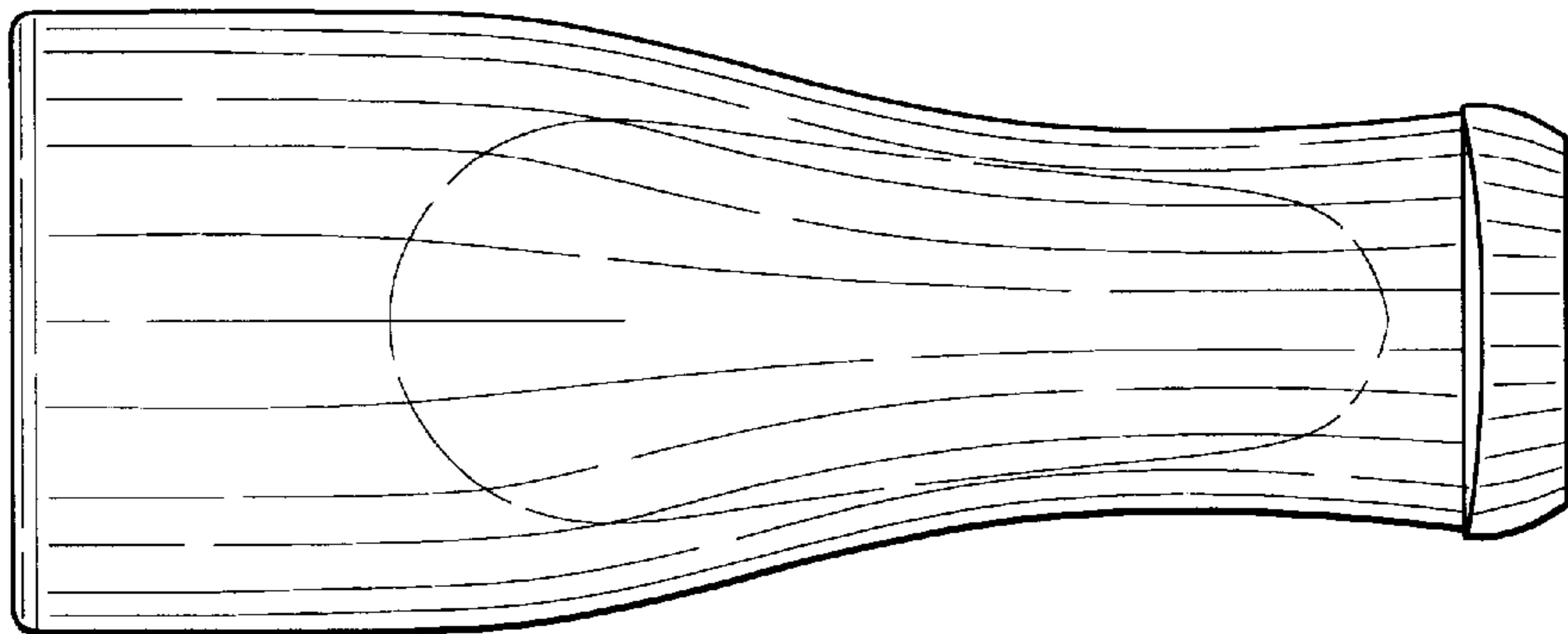


Fig. 3

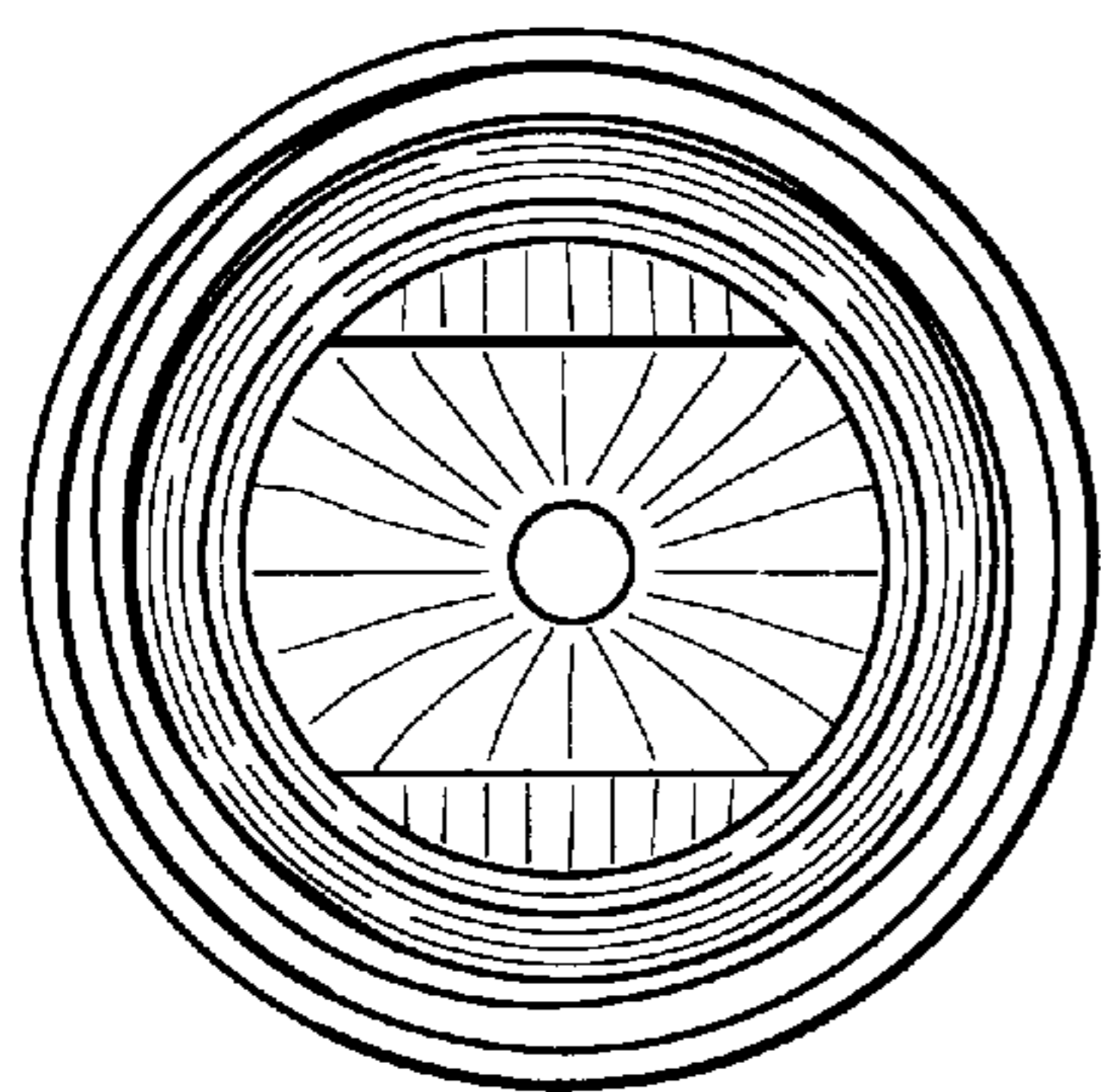


Fig. 4

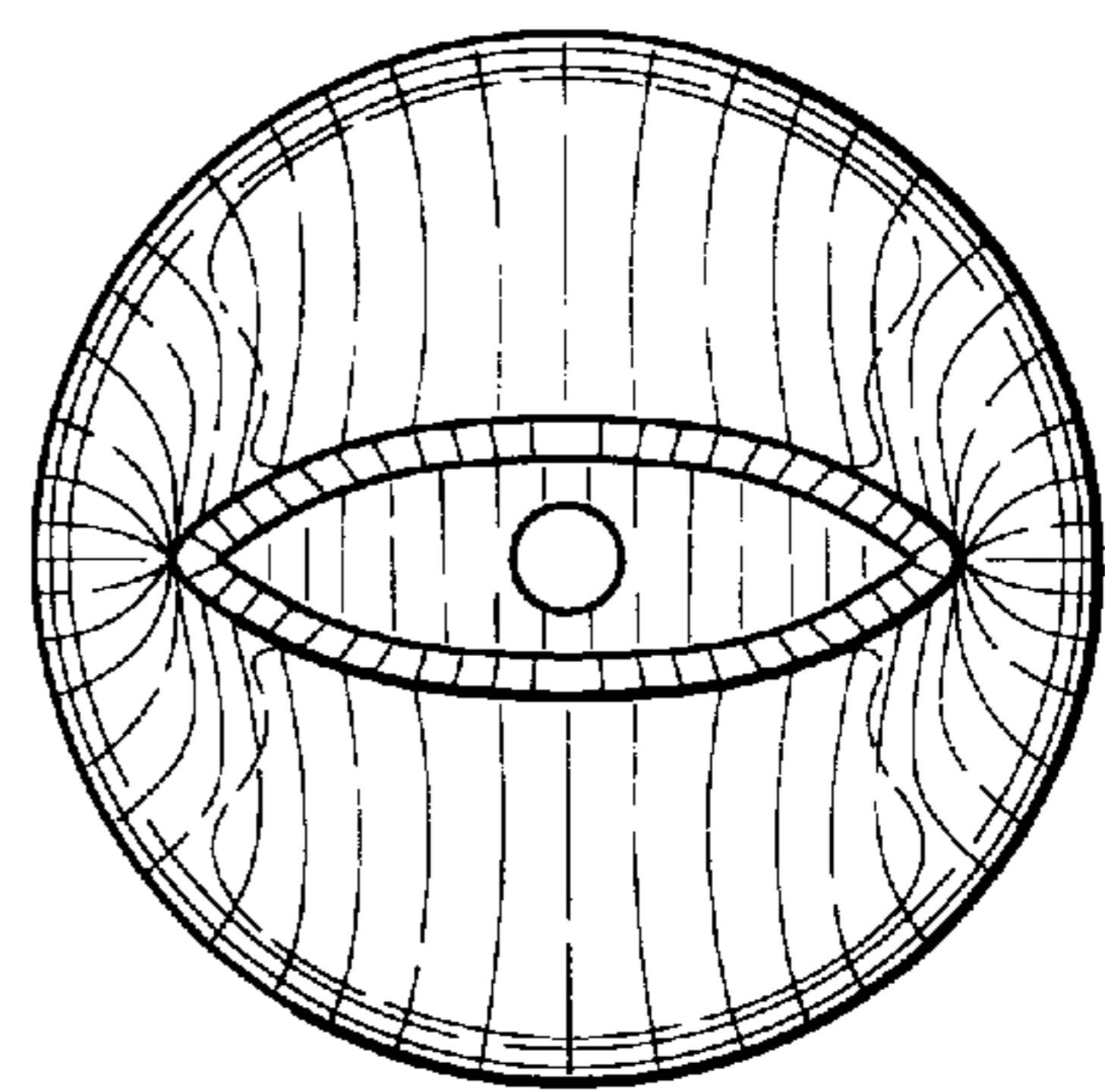


Fig. 5