



US00D401009S

United States Patent [19]

[11] Patent Number: **Des. 401,009**

Hicaro, Jr. et al.

[45] Date of Patent: ****Nov. 10, 1998**

[54] **CUP HOLDER ASHTRAY**

[75] Inventors: **Enrique Hicaro, Jr.; David A. Sherman**, both of Chicago, Ill.

[73] Assignee: **Perfect World Technologies, L.L.C.**, Chicago, Ill.

[**] Term: **14 Years**

[21] Appl. No.: **82,918**

[22] Filed: **Jan. 30, 1998**

Related U.S. Application Data

- [62] Division of Ser. No. 68,456, Apr. 9, 1997.
- [51] **LOC (6) Cl.** **27-03**
- [52] **U.S. Cl.** **D27/102; D27/125; D27/135; D27/136**
- [58] **Field of Search** **D27/102, 103, D27/109, 118, 126, 125, 135, 136; 131/231, 235.1, 240.1, 241, 238; 232/43.1-43.5**

[56] References Cited

U.S. PATENT DOCUMENTS

- | | | | | |
|------------|---------|----------------|-------|---------|
| D. 334,824 | 4/1993 | Newsome | | D27/135 |
| 1,874,319 | 8/1932 | Lill | . | |
| 2,268,149 | 12/1941 | Hinkle | . | |
| 2,340,618 | 2/1944 | Schiszler | . | |
| 2,348,423 | 5/1944 | Schylander | . | |
| 2,595,103 | 4/1952 | Schmaling, Sr. | . | |
| 2,625,163 | 1/1953 | Jones et al. | . | |
| 2,883,992 | 4/1959 | Hastings | . | |
| 2,894,514 | 7/1959 | Moore | . | |
| 2,965,108 | 12/1960 | Schlatterer | . | |
| 3,165,105 | 1/1965 | Campbell | . | |
| 3,386,452 | 6/1968 | Davis | . | |
| 3,468,317 | 9/1969 | Rowland | . | |
| 4,236,539 | 12/1980 | Mosby, Jr. | . | |
| 4,354,510 | 10/1982 | Eakin | . | |
| 4,423,743 | 1/1984 | Spielvogel | . | |

- | | | | | |
|-----------|---------|--------------------|-------|-----------|
| 4,473,084 | 9/1984 | Marshall | | 131/235.1 |
| 4,497,329 | 2/1985 | O'Dell | . | |
| 4,516,587 | 5/1985 | Eastridge et al. | . | |
| 4,572,217 | 2/1986 | Newman, Sr. et al. | . | |
| 4,886,076 | 12/1989 | Gilbert et al. | . | |
| 4,920,988 | 5/1990 | Cancellara | . | |
| 4,982,746 | 1/1991 | Pruyne | . | |
| 5,020,549 | 6/1991 | Wojcik | . | |
| 5,085,230 | 2/1992 | Roman | . | |
| 5,287,862 | 2/1994 | Pruyne | . | |
| 5,361,785 | 11/1994 | Wu | . | |

FOREIGN PATENT DOCUMENTS

- | | | | |
|-----------|---------|--------------------|---|
| 0413685B1 | 11/1994 | European Pat. Off. | . |
| 2310715 | 12/1976 | France | . |
| 2060349 | 5/1981 | United Kingdom | . |
| 2193876 | 2/1988 | United Kingdom | . |
| 2212381 | 7/1989 | United Kingdom | . |

Primary Examiner—Susan J. Lucas
Assistant Examiner—Jennifer Rivard
Attorney, Agent, or Firm—Banner & Witcoff Ltd

[57] CLAIM

The ornamental design for a cup holder ashtray, as shown and described.

DESCRIPTION

FIG. 1 is a perspective view of a cup holder ashtray; FIG. 2 is a top plan view of the cup holder ashtray of FIG. 1; FIG. 3 is a side elevation view of the cup holder ashtray of FIG. 1, the opposite side being a mirror image; FIG. 4 is a front elevation view of the cup holder ashtray of FIG. 1; and, FIG. 5 is a cross sectional view of the cup holder ashtray of FIG. 4 taken along line 5—5. The cup holder ashtray of the invention in FIGS. 1—5 is a cup holder ashtray which may be positioned in a vehicle cup holder, for example. The bottom of the cup holder is flant and unornamented.

1 Claim, 1 Drawing Sheet

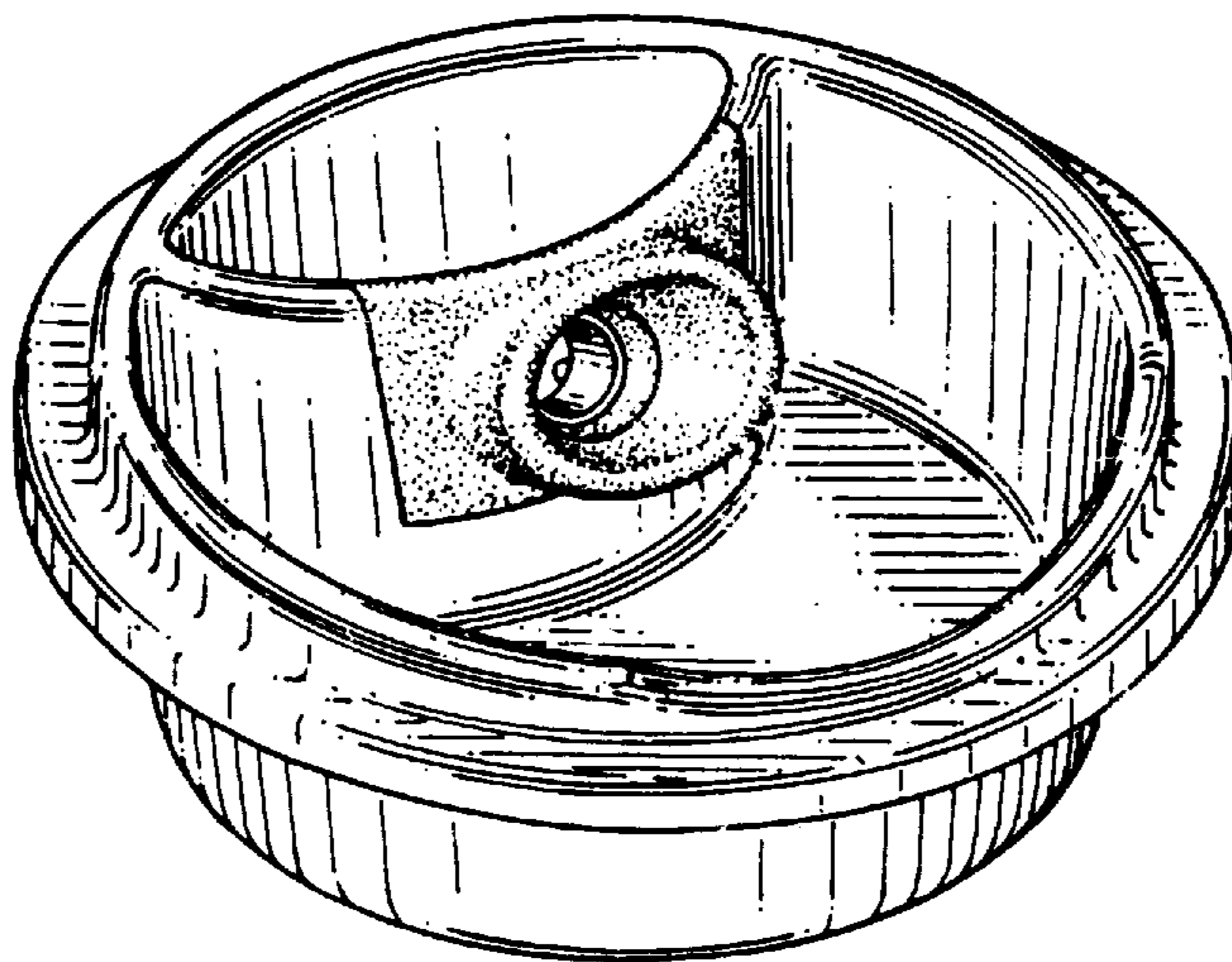


FIG. 1

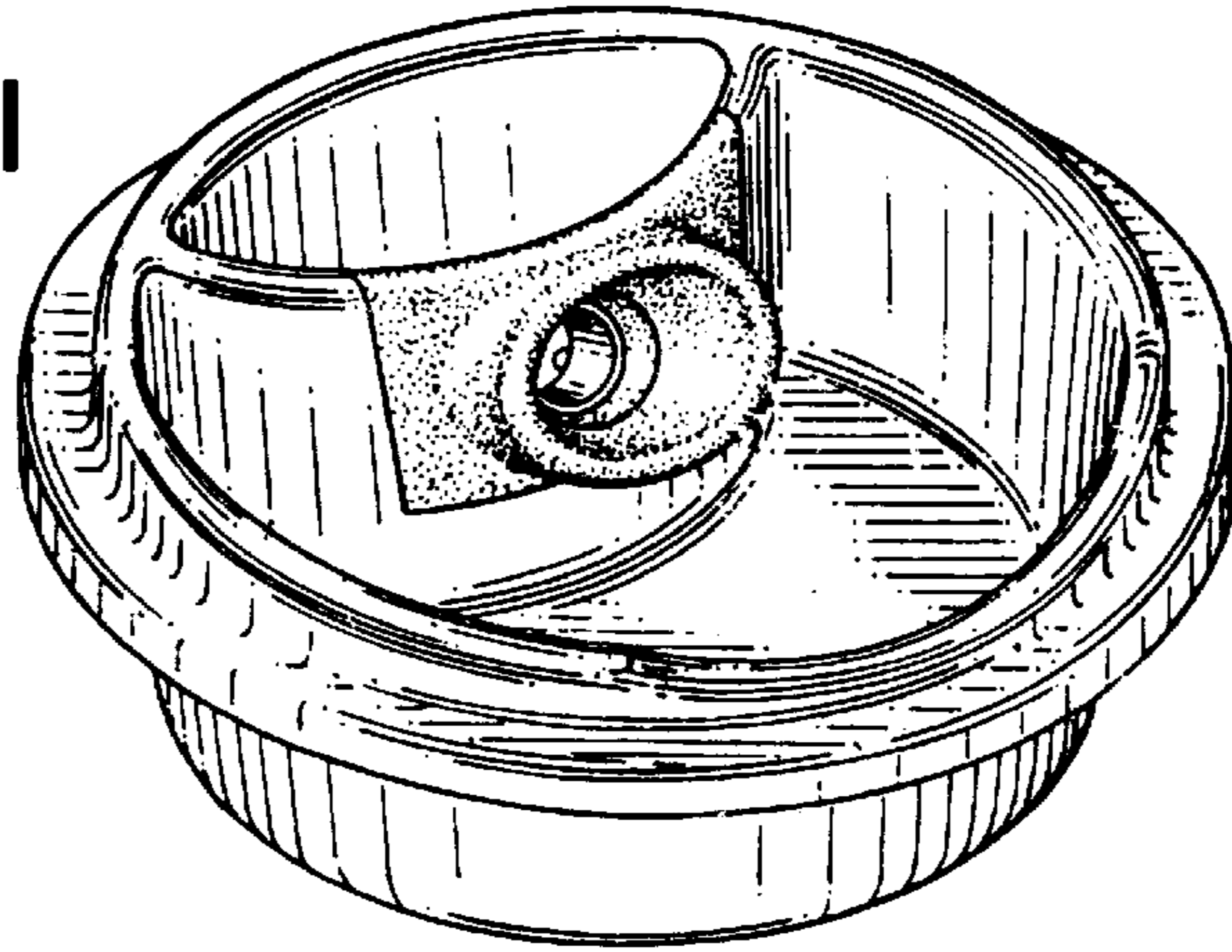


FIG. 2

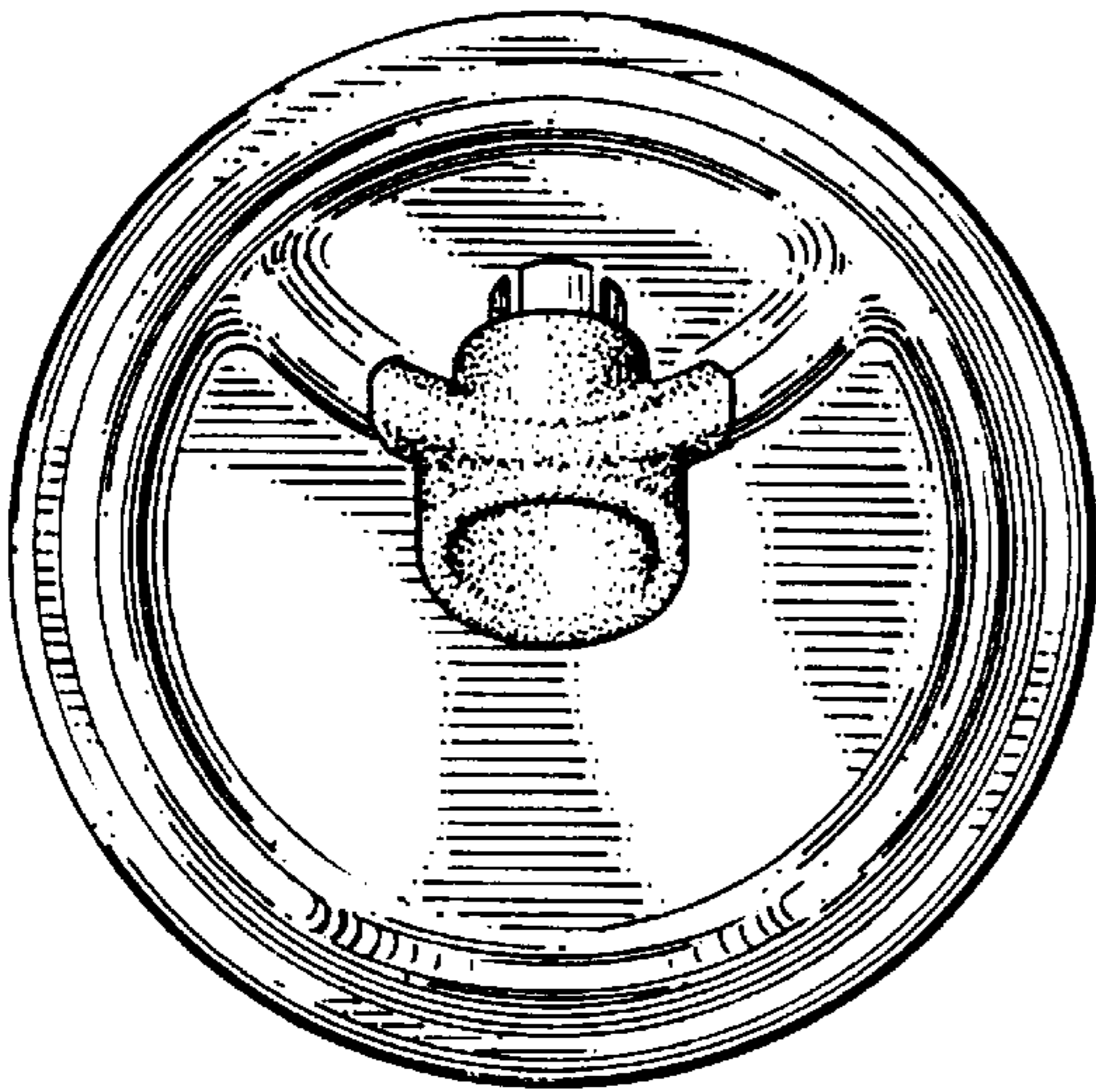


FIG. 3

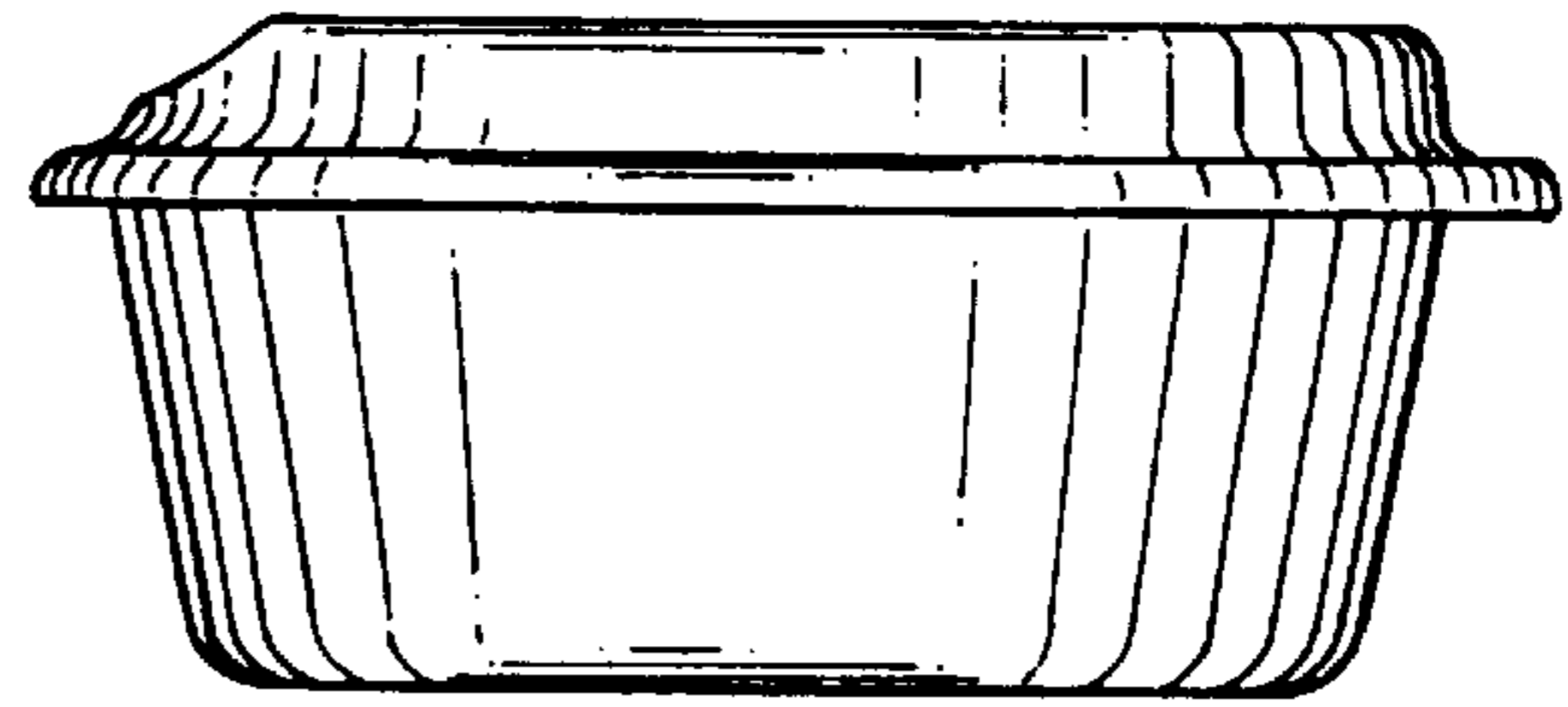


FIG. 4

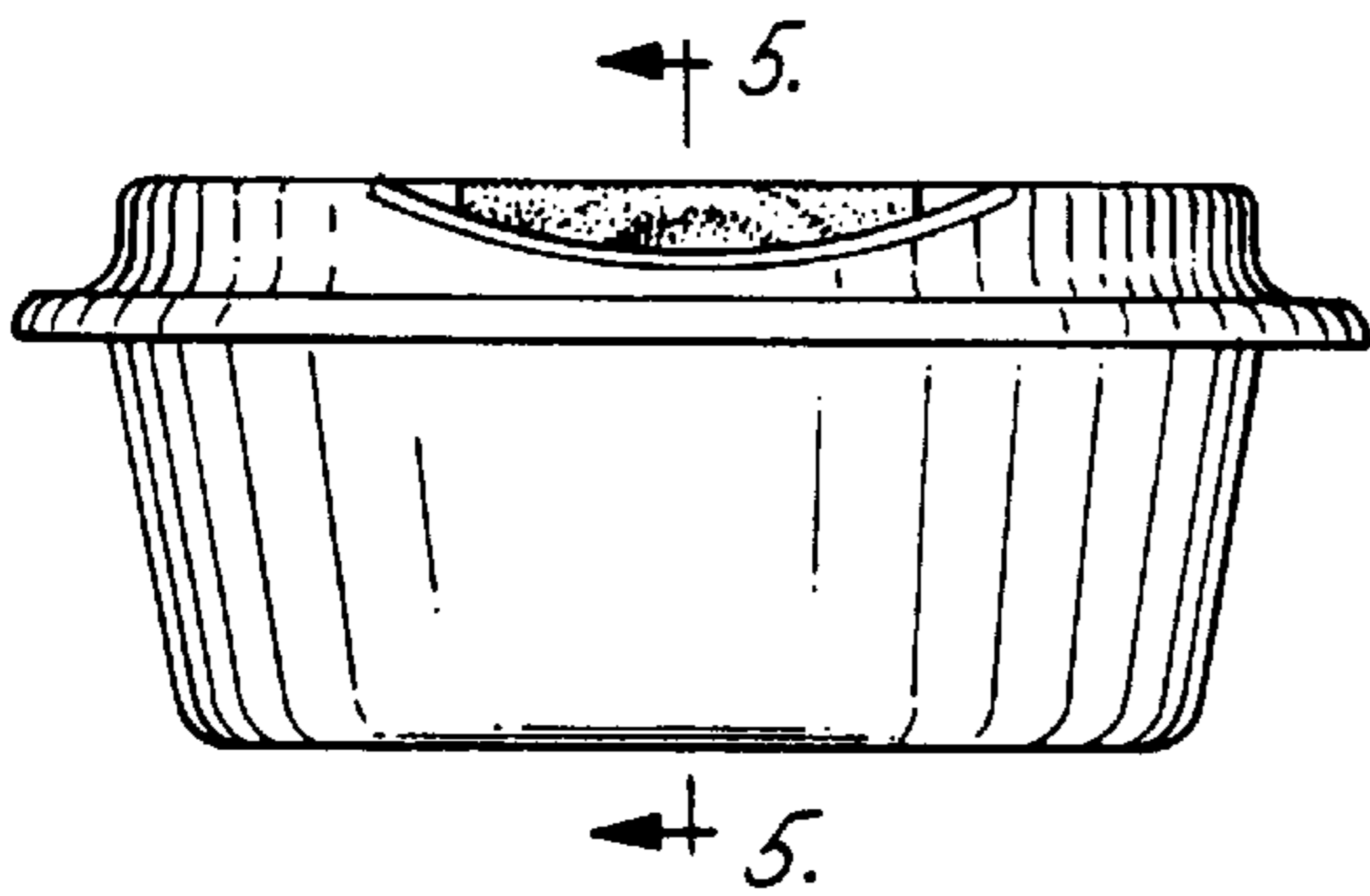


FIG. 5

