



US00D401007S

United States Patent [19] Pan

[11] **Patent Number: Des. 401,007**

[45] **Date of Patent: **Nov. 10, 1998**

[54] **MOUNTING PAN FOR CEILING LAMP**

[75] Inventor: **Lian Pan**, Taoyuan Hsien, Taiwan

[73] Assignee: **Evergreen-Lite Enterprise Co.**, Taiwan

[**] Term: **14 Years**

[21] Appl. No.: **73,740**

[22] Filed: **Jul. 22, 1997**

[51] **LOC (6) Cl.** **26-99**

[52] **U.S. Cl.** **D26/149**

[58] **Field of Search** D26/72, 80-92,
D26/142, 145, 148, 152, 153, 154, 155;
362/147, 432, 433, 457, 441

[56] **References Cited**

U.S. PATENT DOCUMENTS

D. 365,659 12/1995 Miranda D26/149

OTHER PUBLICATIONS

Chatham Metal Spinning and Stamping Corp., p. 14, canopy #162, pattern, Sep. 1942.

Primary Examiner—Susan J. Lucas

Attorney, Agent, or Firm—Beveridge, Degrandi, Weilacher & Young LLP

[57] **CLAIM**

The ornamental design for a mounting pan for ceiling lamp, as shown and described.

DESCRIPTION

FIG. 1 is a front view of a mounting pan for ceiling lamp showing my new design;

FIG. 2 is a rear view thereof;

FIG. 3 is a left side view thereof;

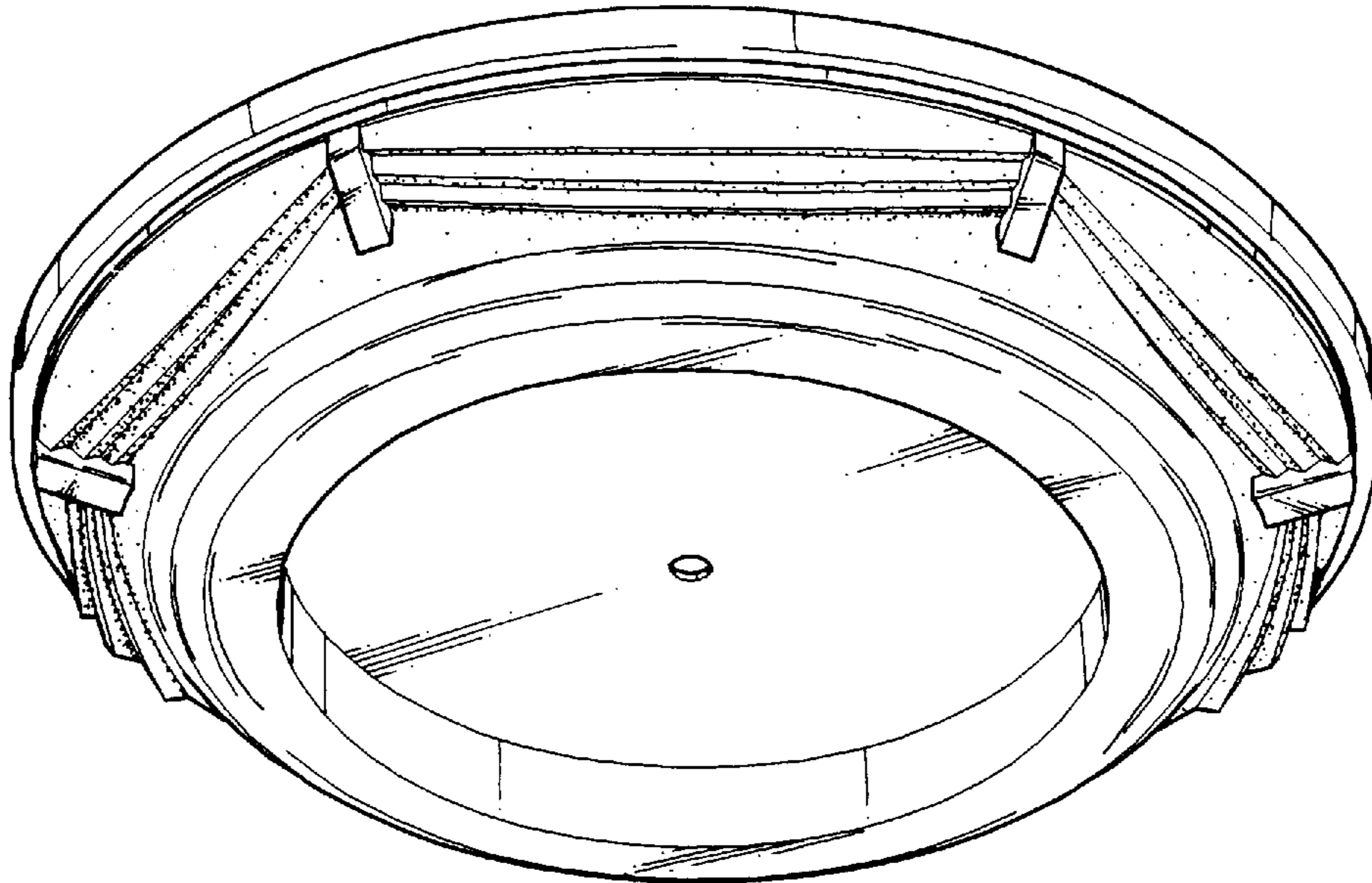
FIG. 4 is a right side view thereof;

FIG. 5 is a top view thereof;

FIG. 6 is a bottom view thereof; and,

FIG. 7 is a perspective view thereof.

1 Claim, 4 Drawing Sheets



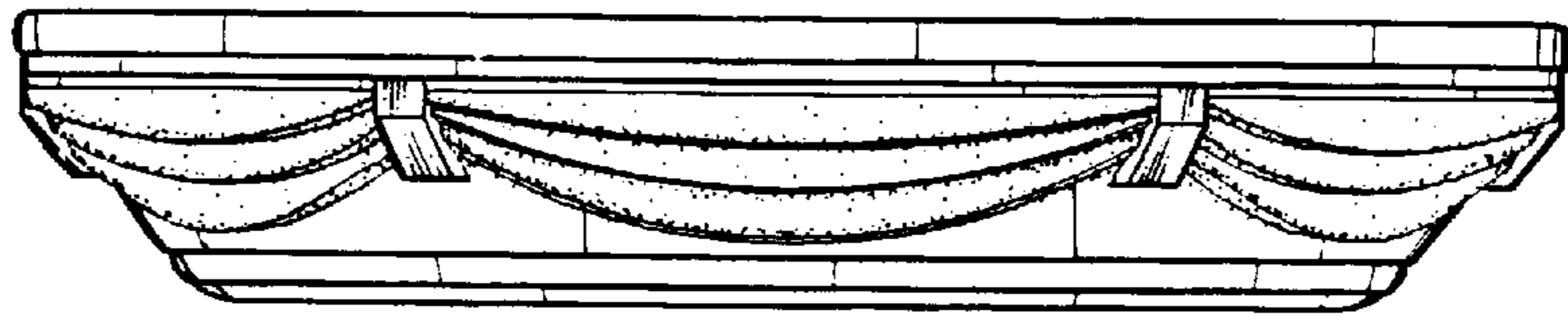


FIG. 1

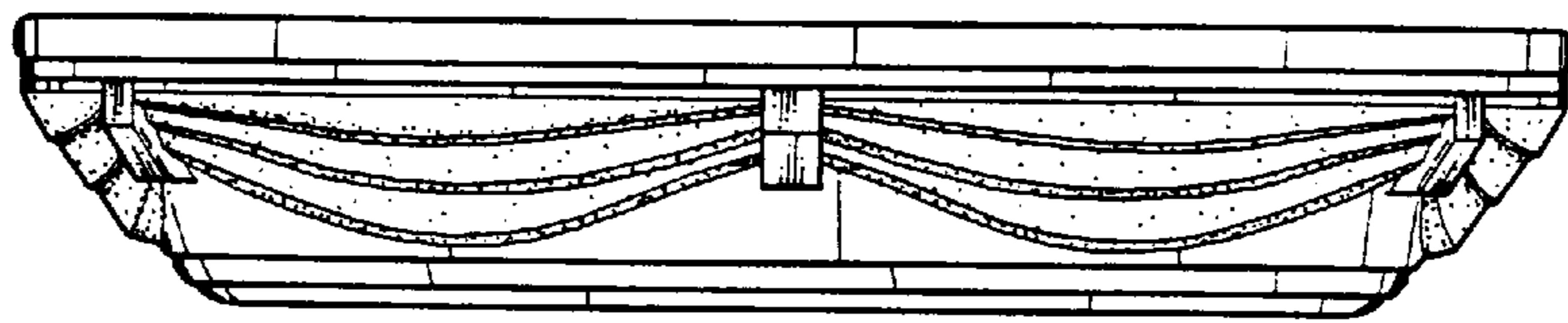


FIG. 2

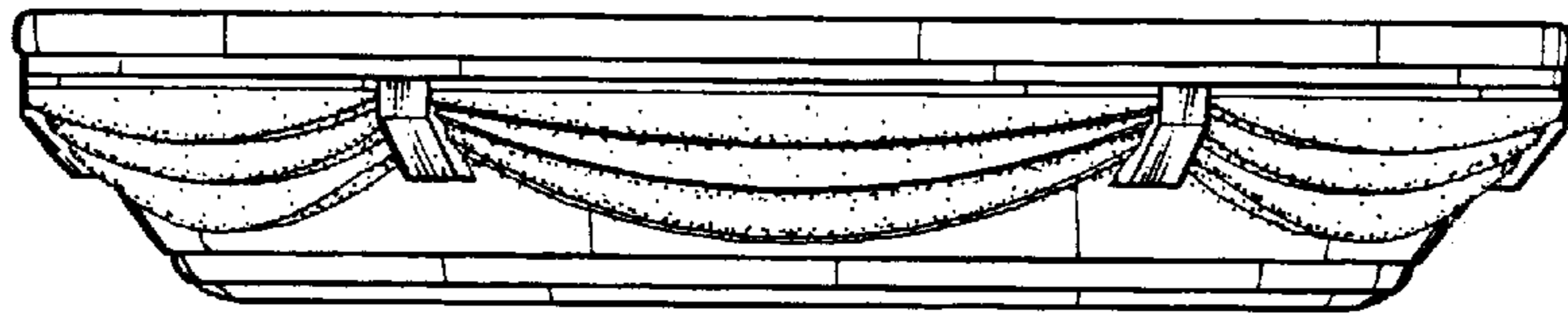


FIG. 3

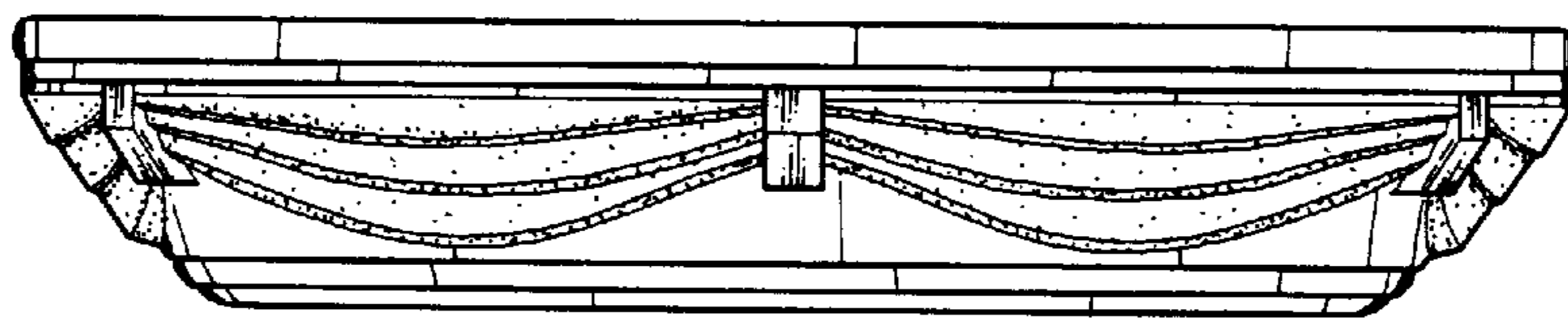


FIG. 4

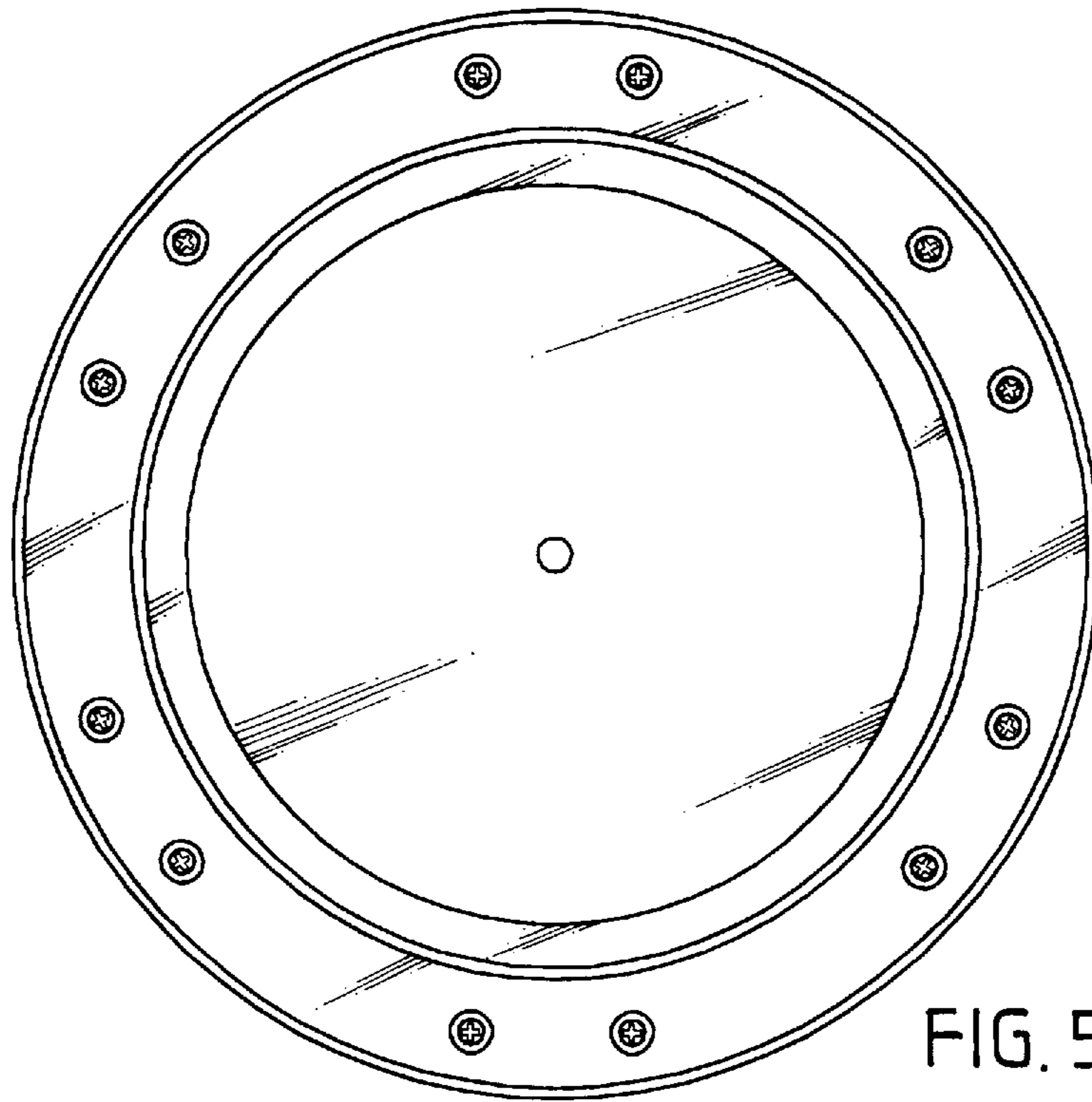


FIG. 5

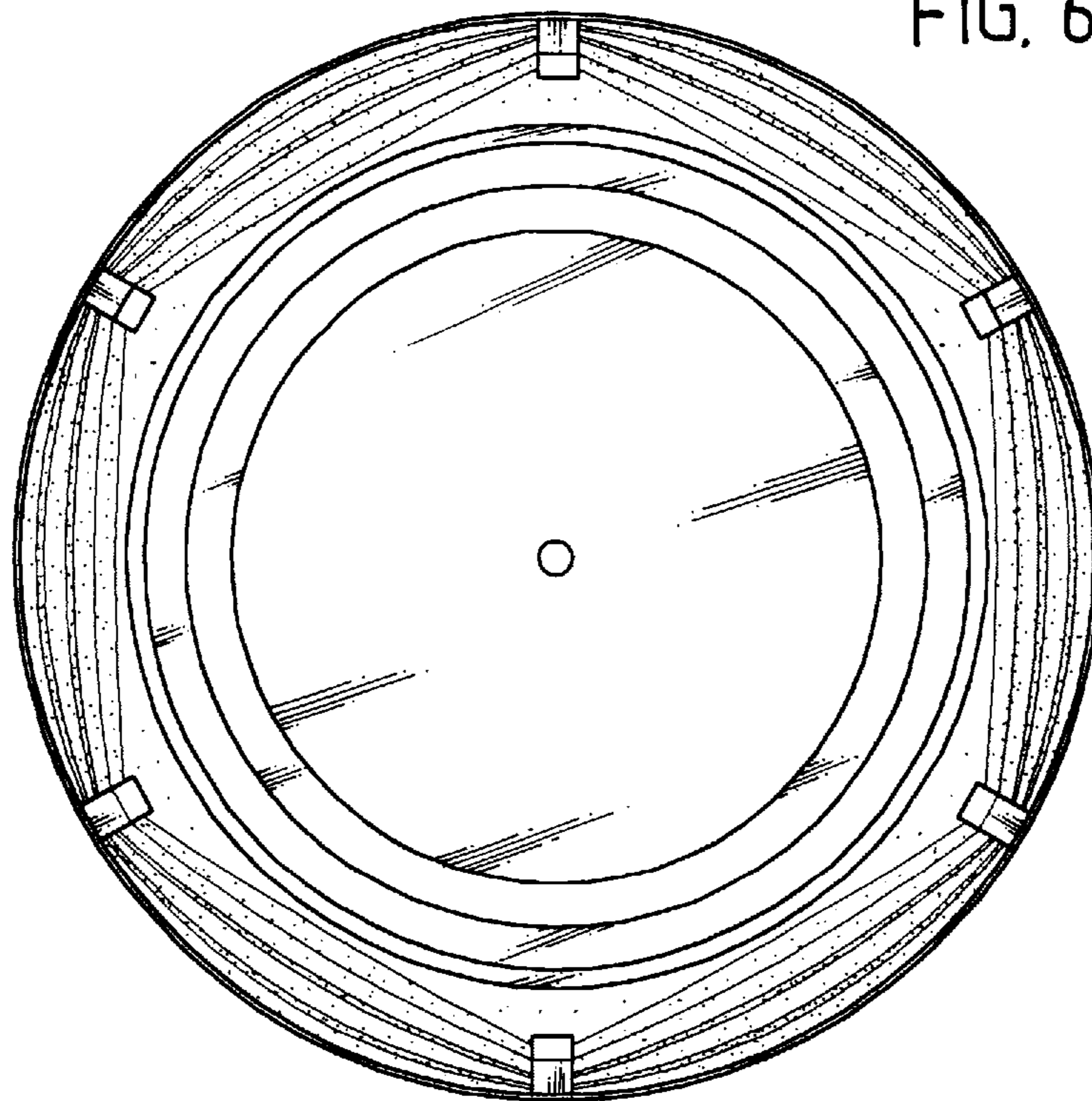


FIG. 6

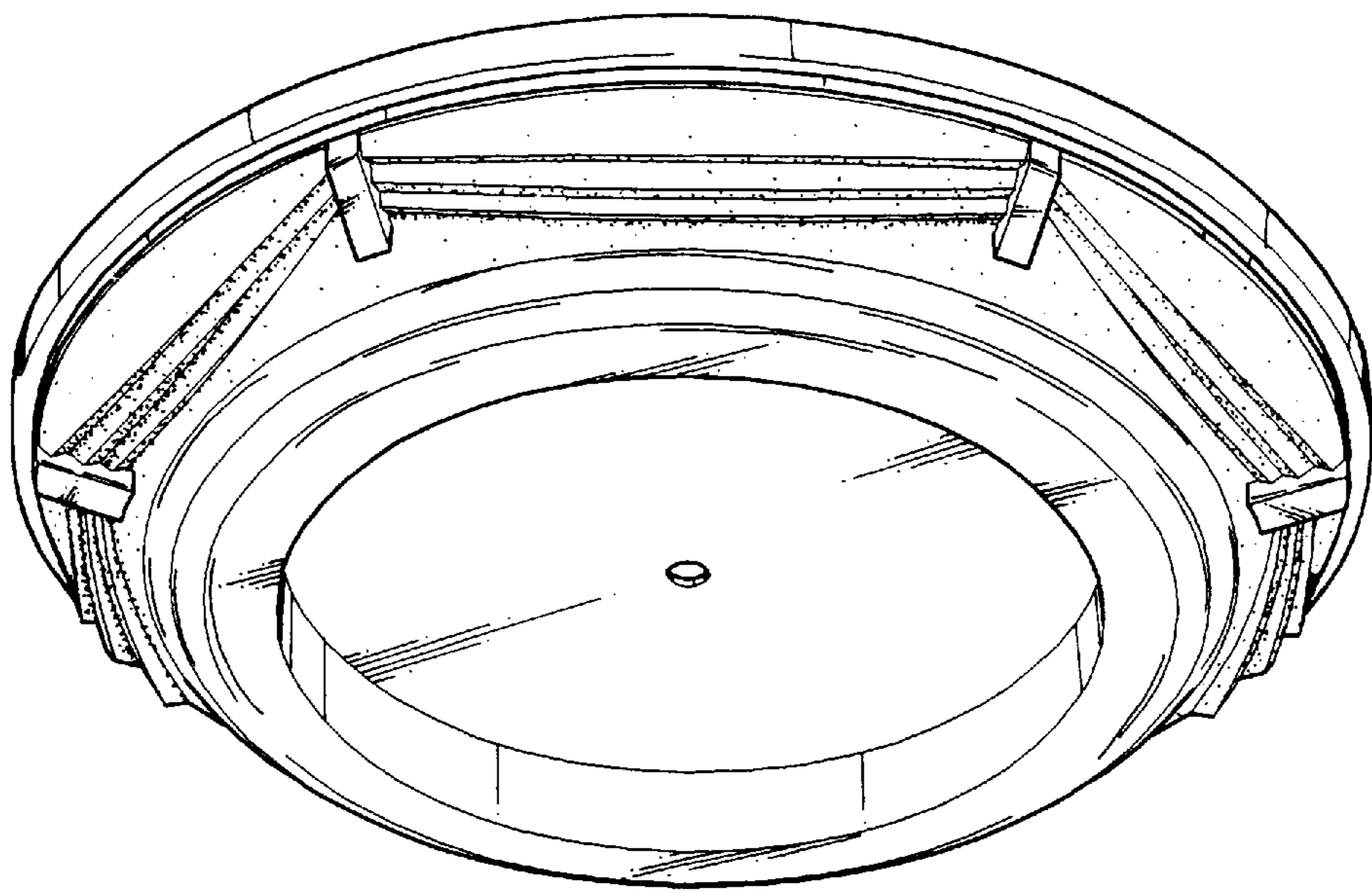


FIG. 7