



US00D401004S

**United States Patent** [19]  
**Eusterbrock**

[11] **Patent Number: Des. 401,004**

[45] **Date of Patent: \*\*Nov. 10, 1998**

[54] **FLOOR LAMP**

[75] Inventor: **Paul W. Eusterbrock**, Minneapolis, Minn.

[73] Assignee: **Holtkotter International, Inc.**, South St. Paul, Minn.

[\*\*] Term: **14 Years**

[21] Appl. No.: **80,924**

[22] Filed: **Dec. 19, 1997**

[51] **LOC (6) Cl.** ..... **26-05**

[52] **U.S. Cl.** ..... **D26/107**

[58] **Field of Search** ..... D26/60-66, 93,  
D26/102-112; 362/410-414, 269, 275,  
287, 418, 419, 428, 429, 401

[56] **References Cited**

**U.S. PATENT DOCUMENTS**

4,453,204 6/1984 Warshawsky ..... 362/413 X

**OTHER PUBLICATIONS**

Home Decorator's Collection, p. 33, floor lamp D, Sep. 1995.

Remington Lighting catalog, p. 30, floor lamp #1895, Mar. 1996.

*Primary Examiner*—Susan J. Lucas

*Attorney, Agent, or Firm*—Craig J. Lervick

[57] **CLAIM**

The ornamental design for a floor lamp, as shown.

**DESCRIPTION**

FIG. 1 is a perspective view of a floor lamp showing my new design;

FIG. 2 is a top plan view thereof;

FIG. 3 is a front elevational view thereof;

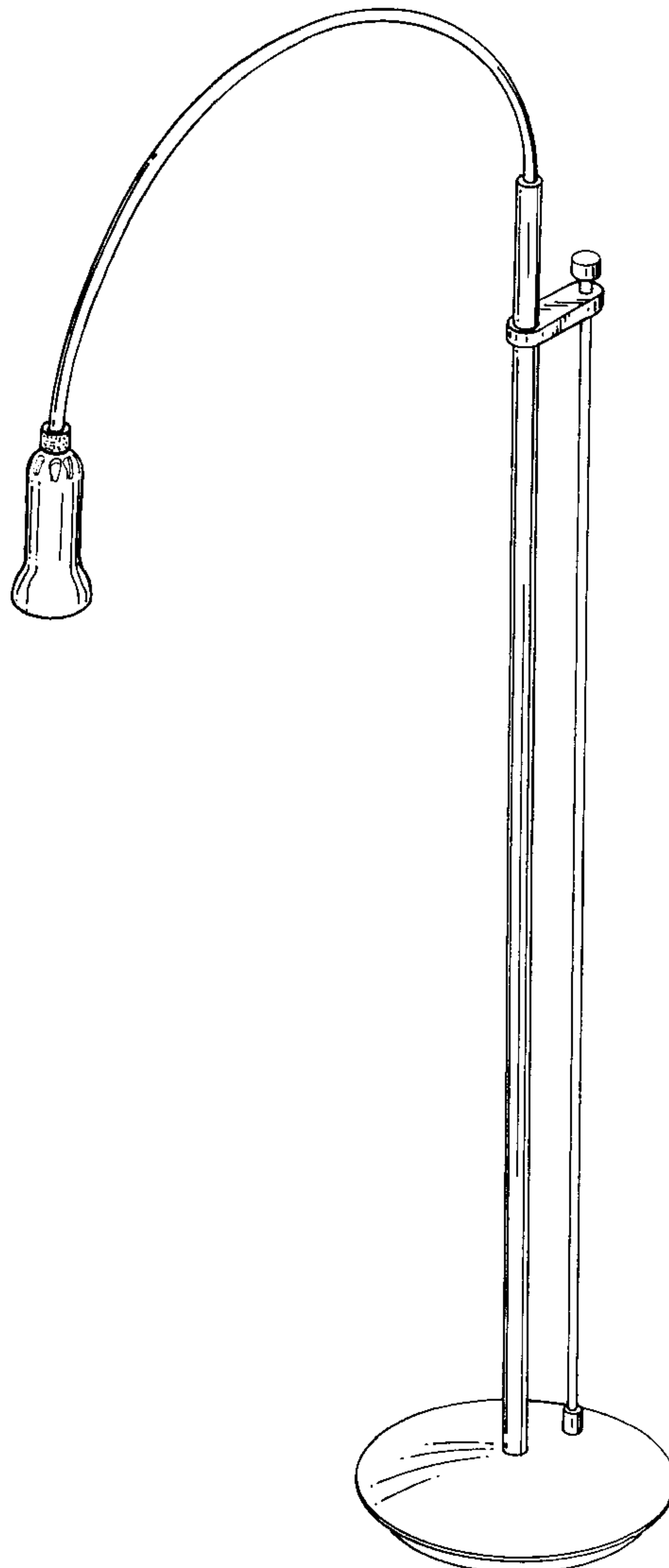
FIG. 4 is a right side elevational view thereof;

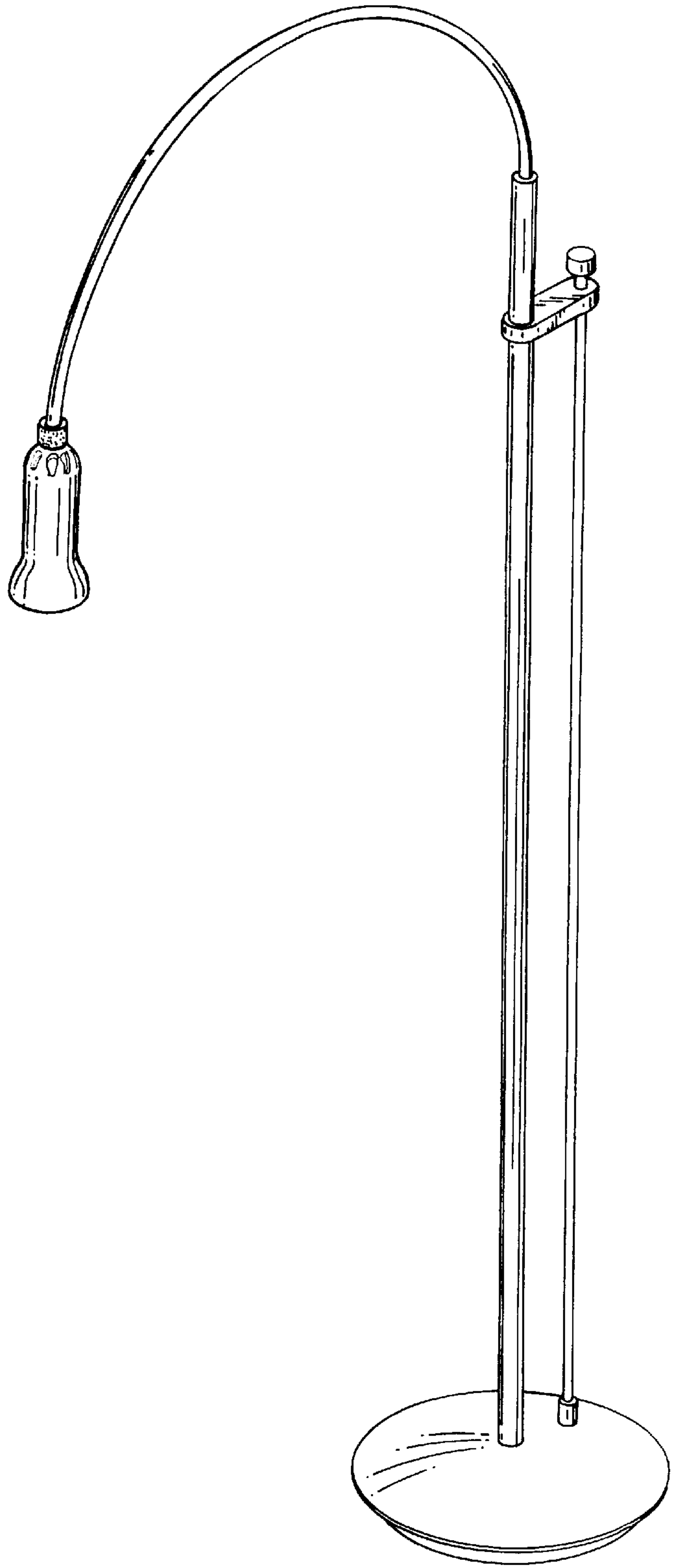
FIG. 5 is a left side elevational view thereof;

FIG. 6 is a rear elevational view thereof; and,

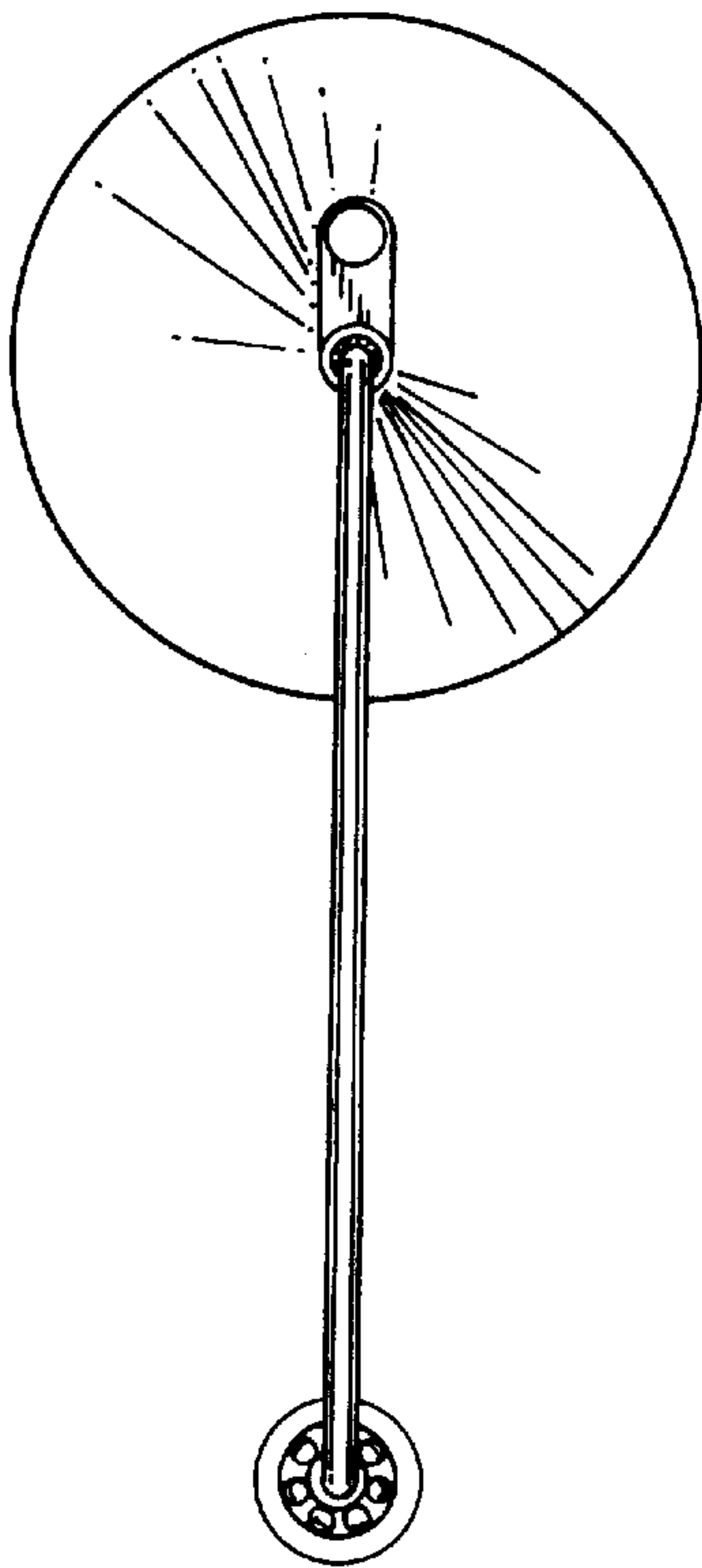
FIG. 7 is a bottom view thereof.

**1 Claim, 4 Drawing Sheets**

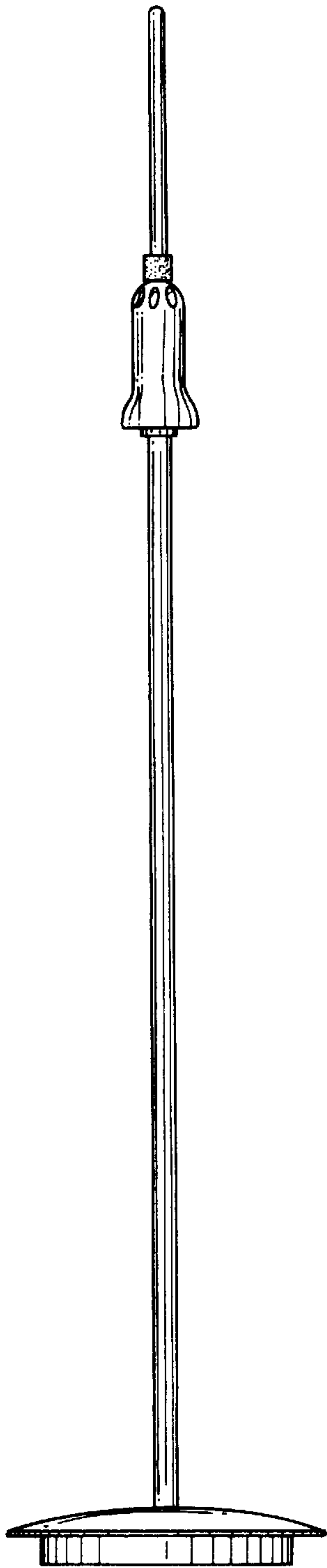




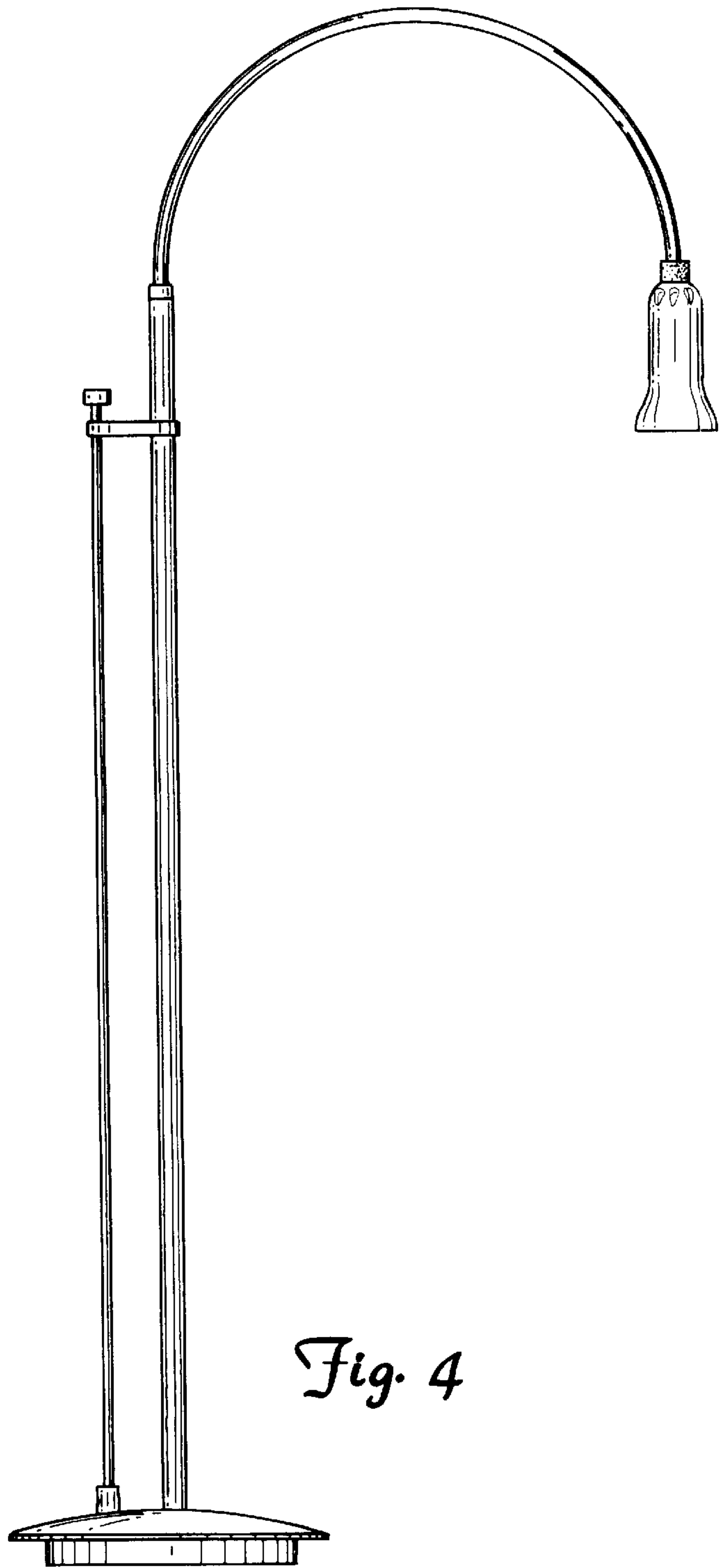
*Fig. 1*



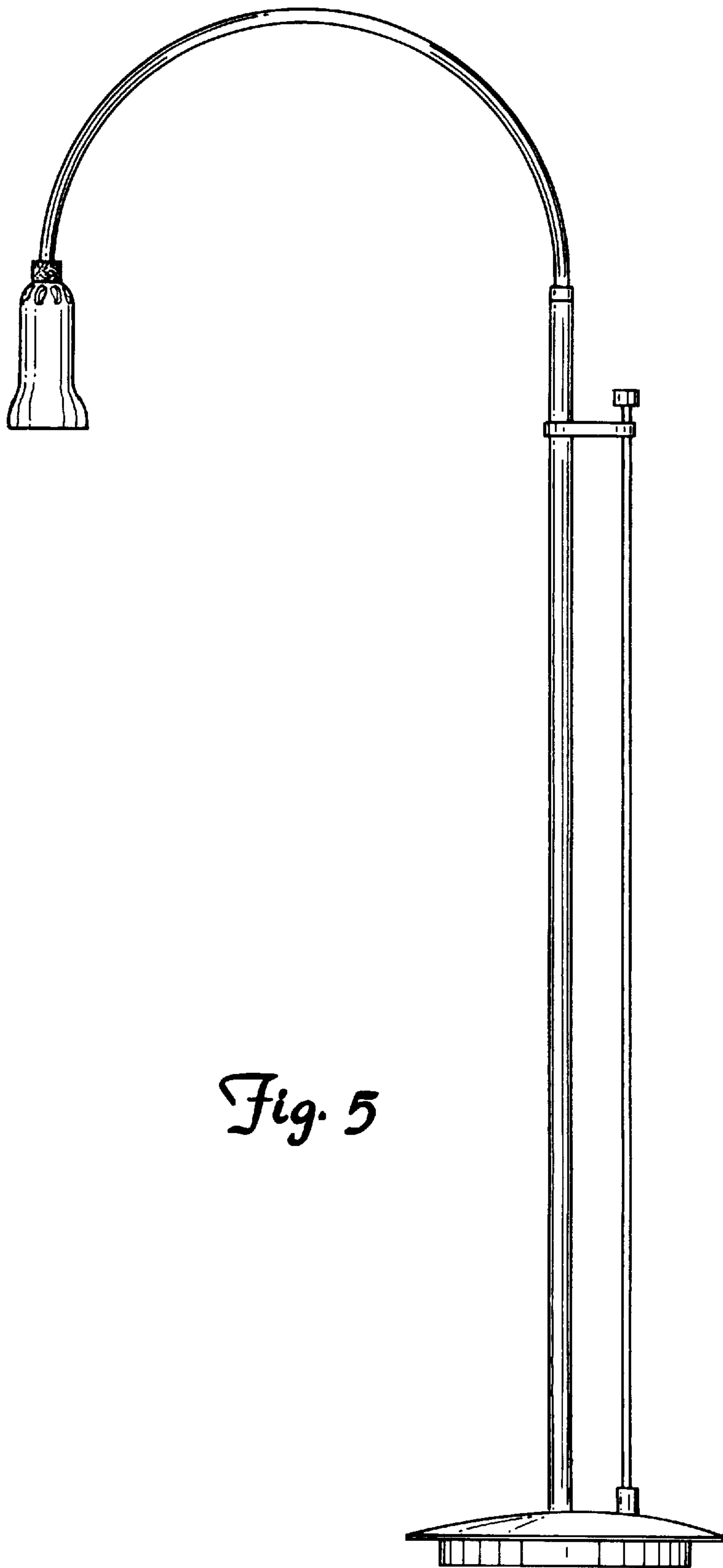
*Fig. 2*



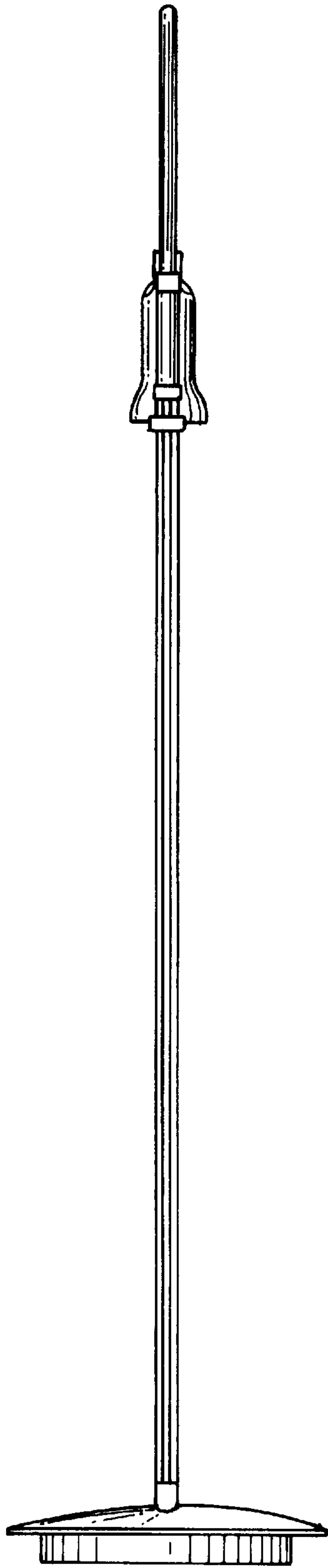
*Fig. 3*



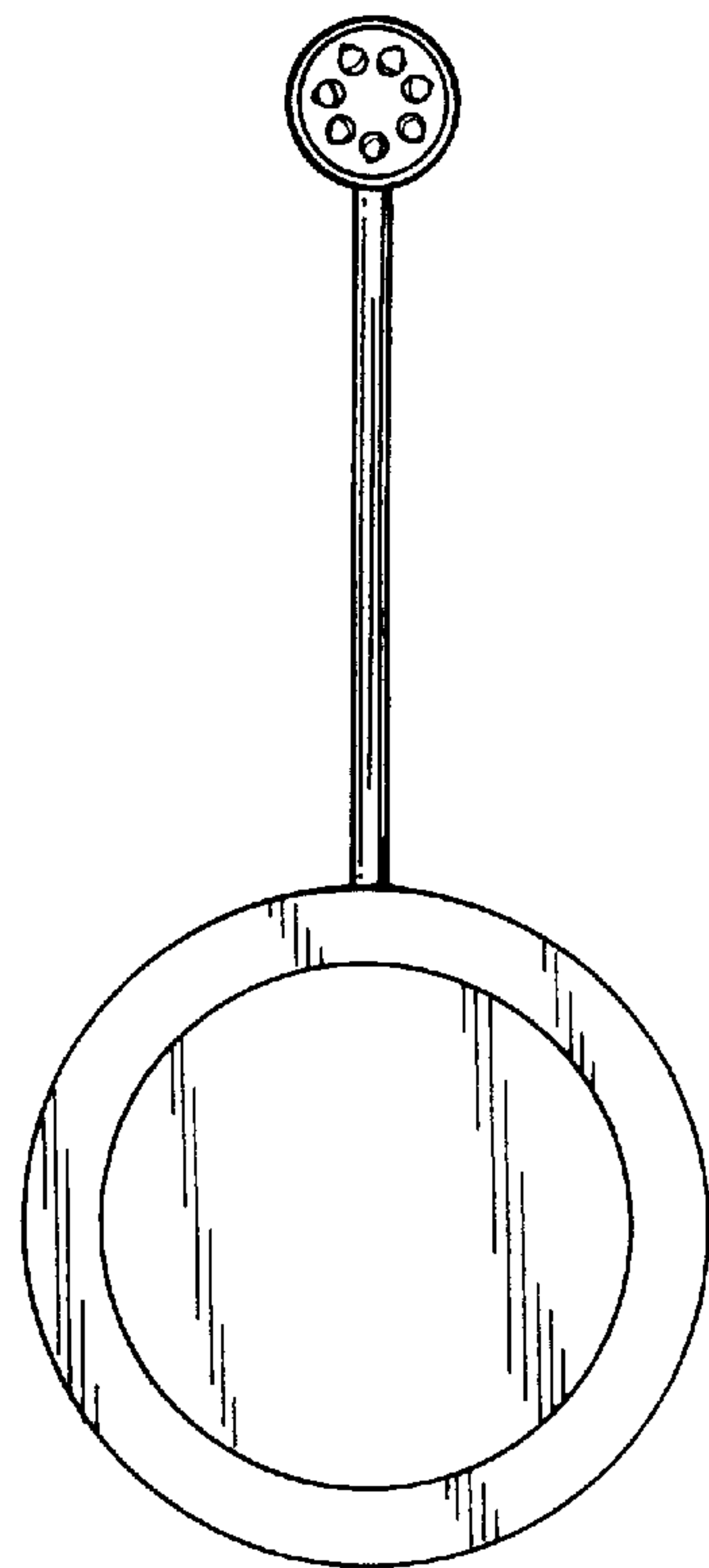
*Fig. 4*



*Fig. 5*



*Fig. 6*



*Fig. 7*