



US00D401003S

United States Patent [19]
Cheung

[11] **Patent Number: Des. 401,003**

[45] **Date of Patent: **Nov. 10, 1998**

[54] **DESK LAMP**

480,749 8/1892 Stanley 362/253

[76] Inventor: **Yuen On Cheung**, P.O. Box 737721,
Elmhurst, N.Y. 11373

Primary Examiner—Susan J. Lucas
Assistant Examiner—Cynthia E. Ramirez
Attorney, Agent, or Firm—Douglas D. Zhang

[**] Term: **14 Years**

[57] **CLAIM**

[21] Appl. No.: **45,816**

The ornamental design of a desk lamp, as shown and described.

[22] Filed: **Oct. 31, 1995**

DESCRIPTION

[51] **LOC (6) Cl.** **26-03**

[52] **U.S. Cl.** **D26/97**

[58] **Field of Search** D26/97, 94, 93,
D26/107, 125, 126, 127, 47, 61, 62, 73,
99; 362/806, 808, 410, 412, 413, 414, 253,
183

FIG. 1 is a perspective view of the desk lamp;
FIG. 2 is a top plan view thereof;
FIG. 3 is a bottom plan view thereof;
FIG. 4 is a front elevation view thereof, the rear elevation
view being a mirror image thereof;
FIG. 5 is a left side view thereof;
FIG. 6 is a right side view thereof; and,
FIG. 7 is a sectional view taken from a position along line
7—7 of FIG. 4.

[56] **References Cited**

U.S. PATENT DOCUMENTS

- D. 268,530 4/1983 Ament D26/94
- D. 283,056 3/1986 Ansems D26/61

1 Claim, 6 Drawing Sheets

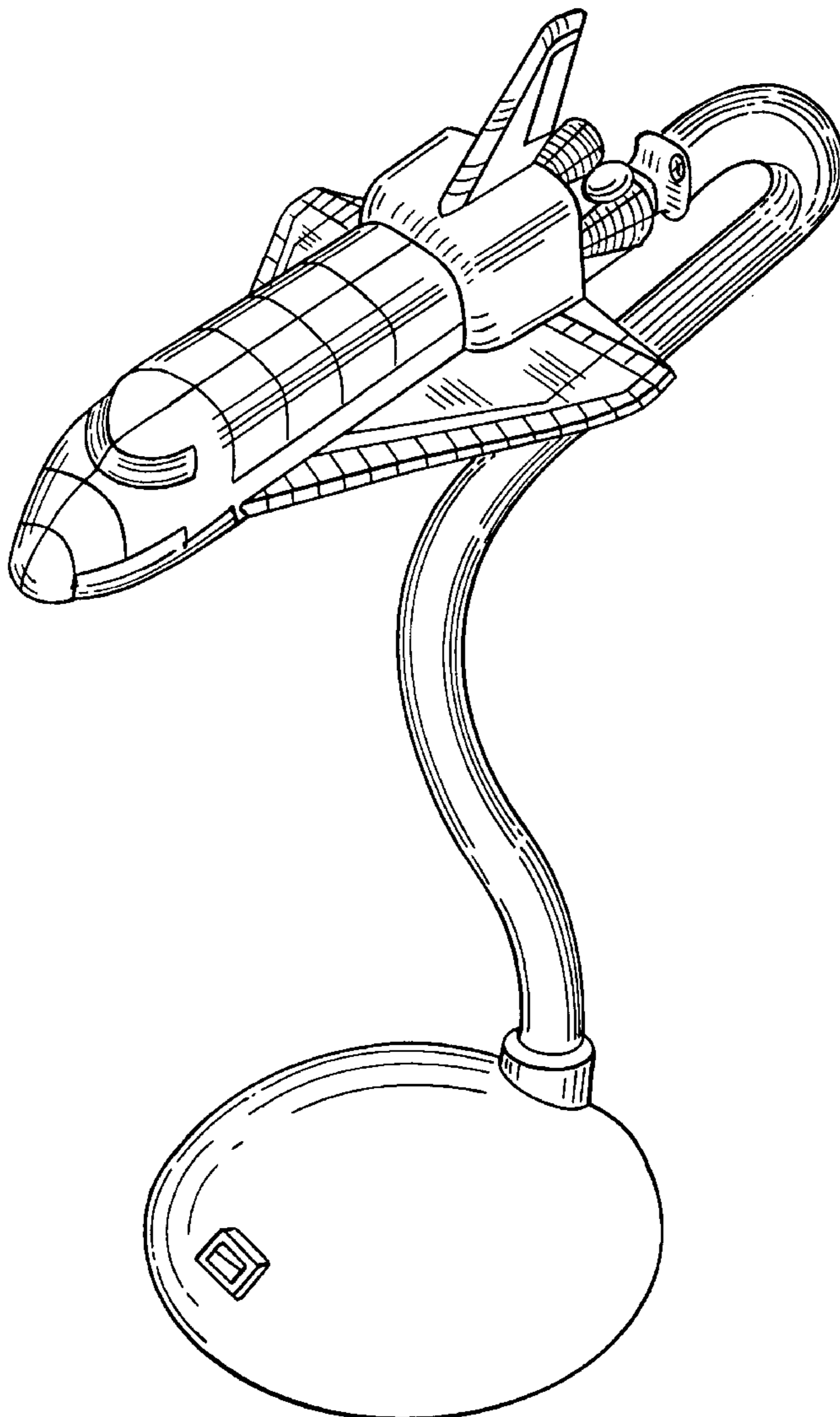


FIG. 1

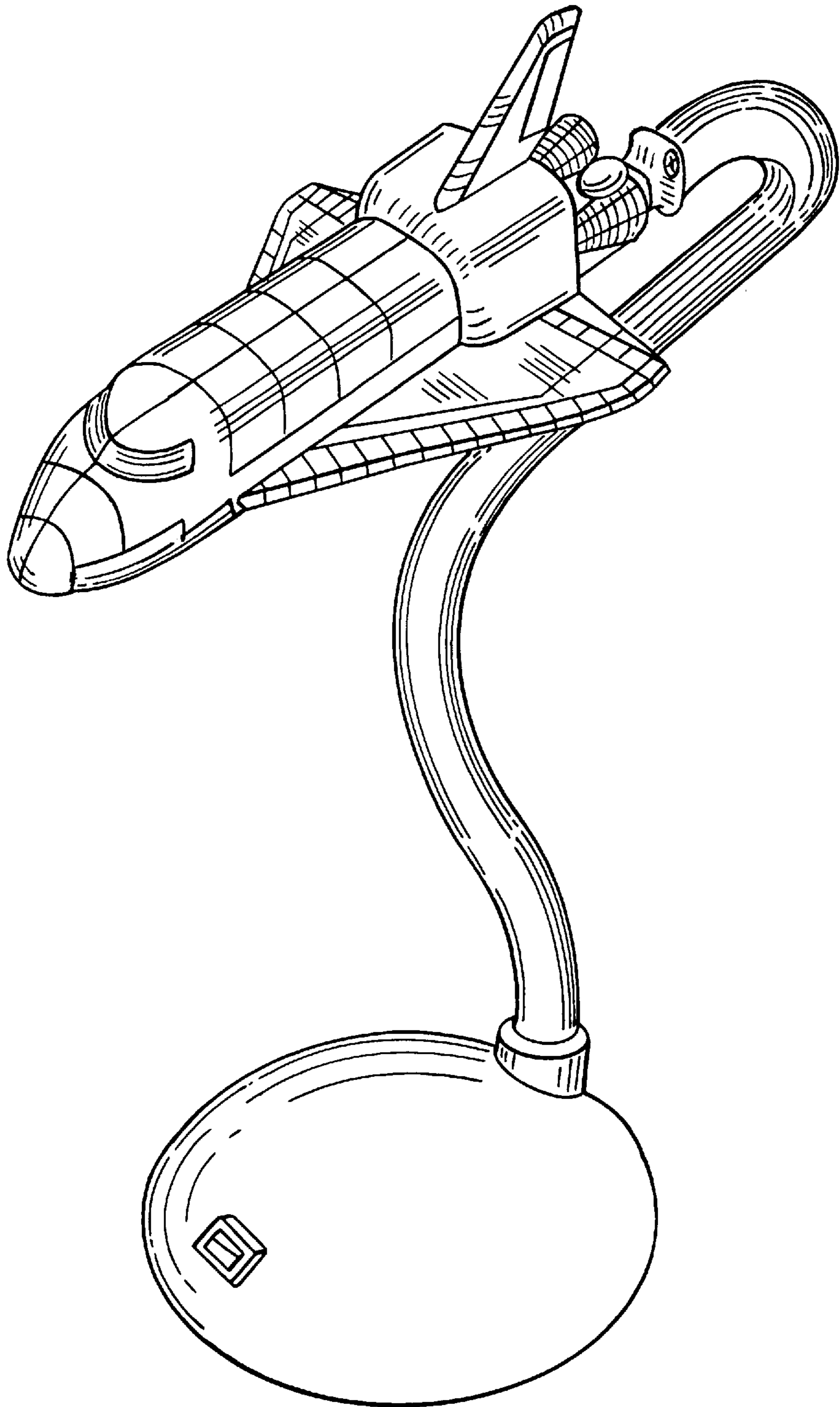


FIG. 2

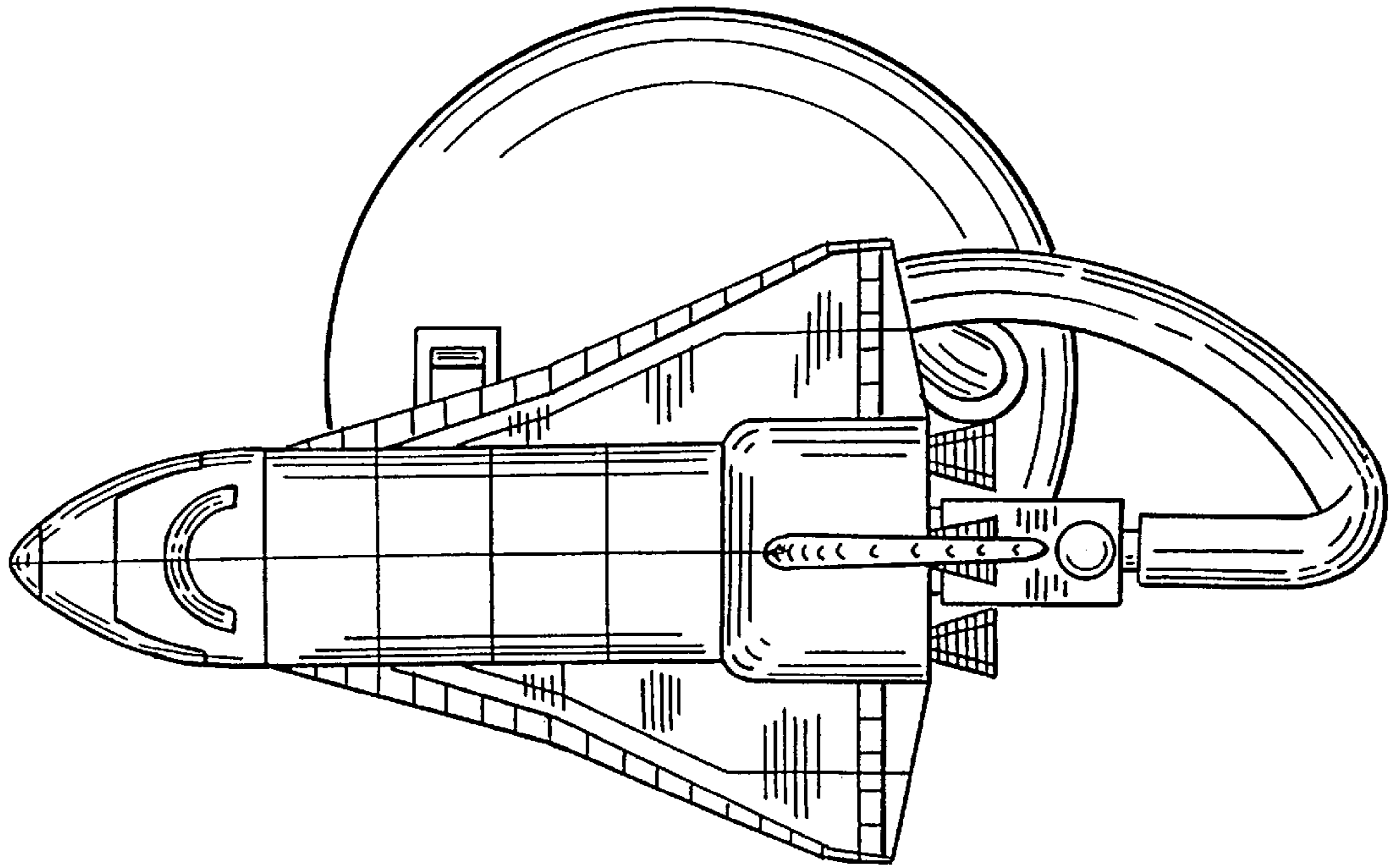


FIG. 3

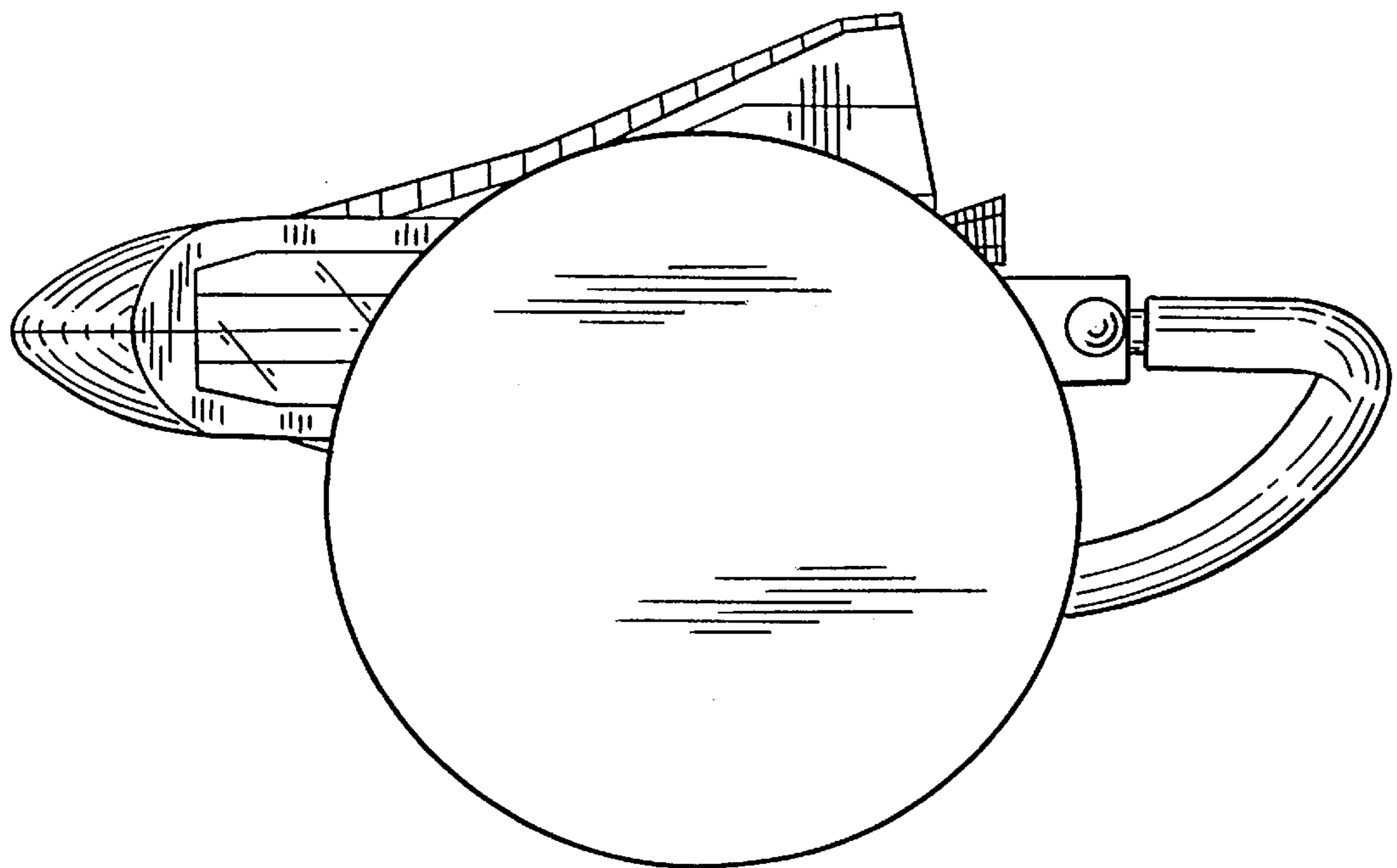


FIG. 4

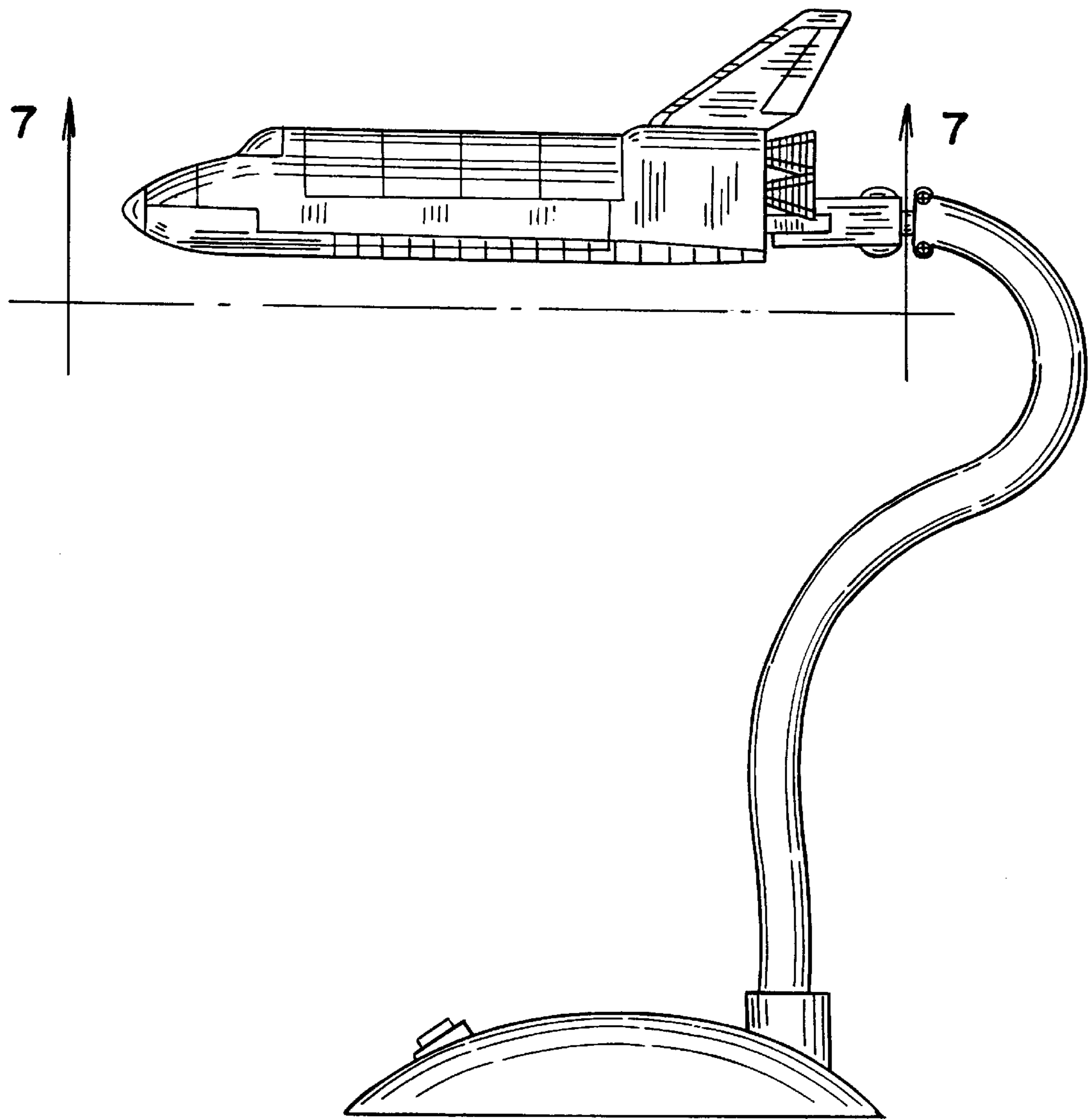


FIG. 5

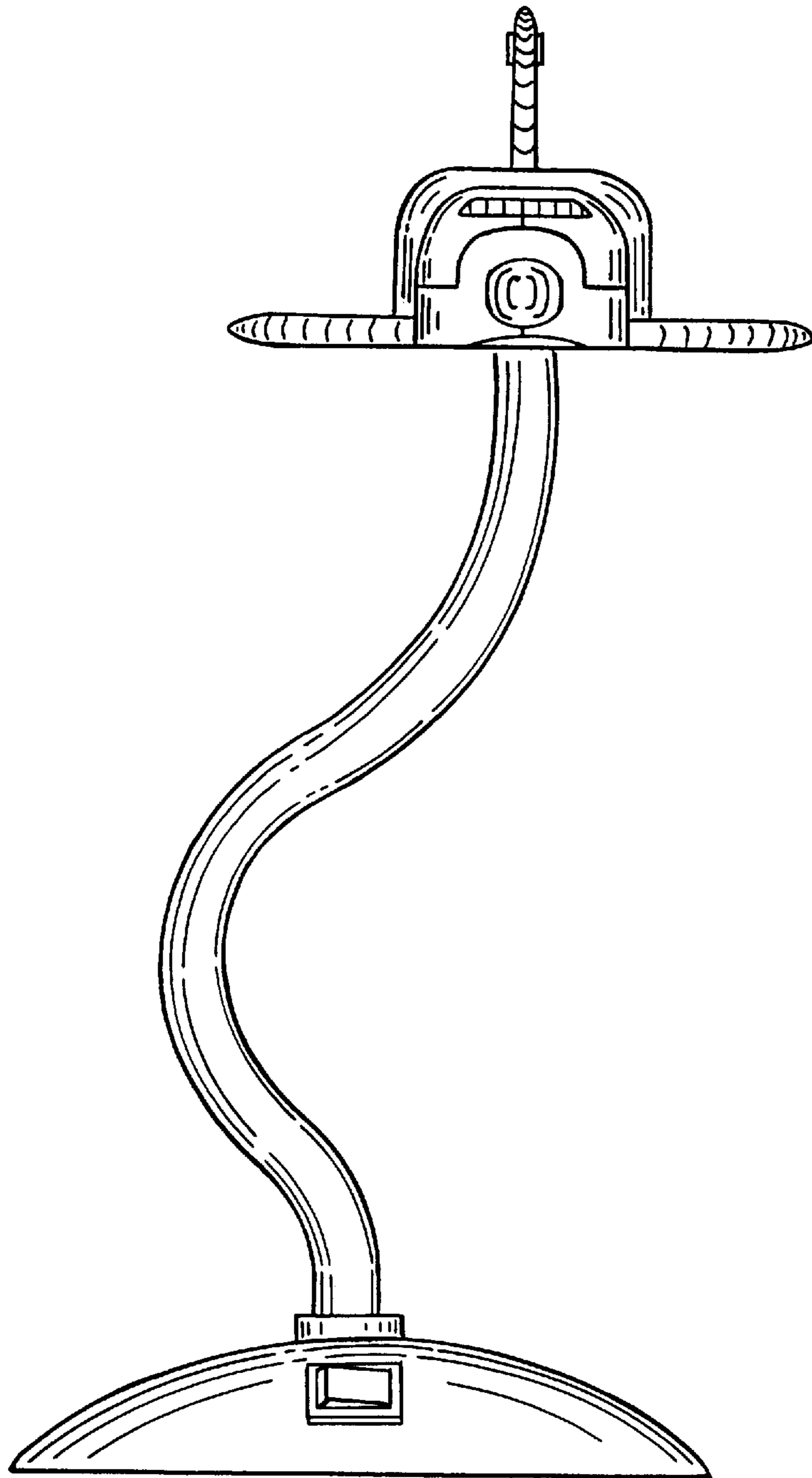


FIG. 6

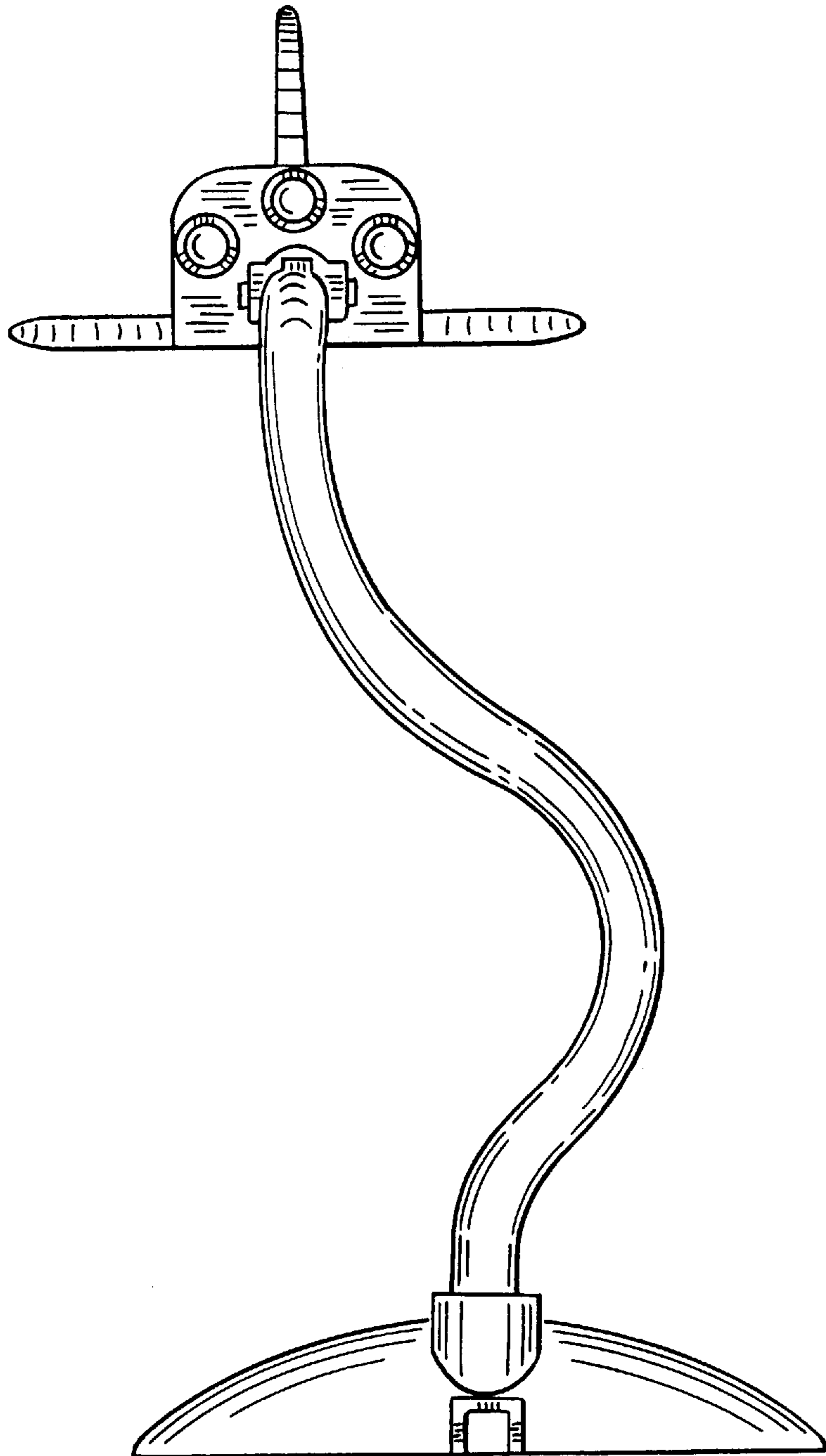


FIG. 7

